



US00D719378S

(12) **United States Design Patent**
Keever

(10) **Patent No.:** **US D719,378 S**
(45) **Date of Patent:** **** Dec. 16, 2014**

- (54) **MATTRESS ACCESSORY**
- (71) Applicant: **Colonial, LLC**, High Point, NC (US)
- (72) Inventor: **Wesley R. Keever**, High Point, NC (US)
- (73) Assignee: **Colonial, LLC**, High Point, NC (US)
- (**) Term: **14 Years**
- (21) Appl. No.: **29/490,642**
- (22) Filed: **May 12, 2014**

D707,984 S * 7/2014 Keever D6/606
 2010/0122413 A1 * 5/2010 McNair 5/485
 2012/0299741 A1 * 11/2012 Wright, Jr. 340/815.45

* cited by examiner

Primary Examiner — Janice Seeger
 (74) *Attorney, Agent, or Firm* — Moore & Van Allen PLLC;
 Nicholas C. Russell

(57) **CLAIM**
 The ornamental design for a mattress accessory, as shown and described.

DESCRIPTION

FIG. 1 is a perspective view of a mattress accessory in accordance with one embodiment;
 FIG. 2 is a top view of the mattress accessory of FIG. 1;
 FIG. 3 is a first side view of the mattress accessory of FIG. 1;
 FIG. 4 is a second side view of the mattress accessory of FIG. 1; and,
 FIG. 5 is a top, unattached view of the mattress accessory of FIG. 1.

The broken line drawings of the images, text, and other elements shown in the figure are shown for illustrative purposes only and form no part of the claimed design. In addition, the surface shading, if any, illustrated in the drawings is provided merely to highlight the contour of the design; it is not intended to be illustrative of texture or gloss.

The rectangular elements on the top of the mattress accessory are shown with a symbolic break in height. The appearance of any portion of the rectangles between the break lines forms no part of the claimed design.

1 Claim, 3 Drawing Sheets

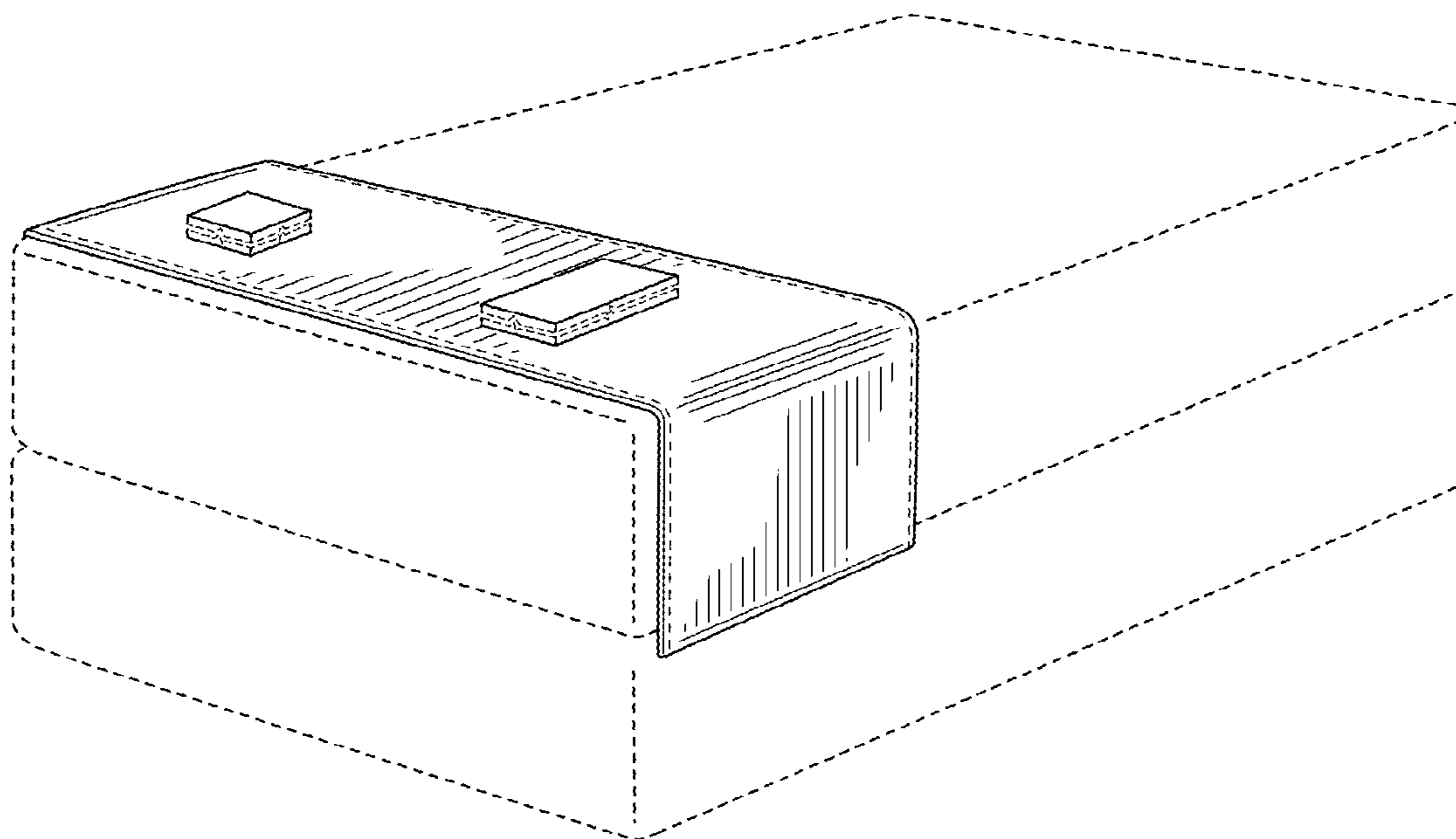
Related U.S. Application Data

- (62) Division of application No. 29/426,662, filed on Jul. 9, 2012, now Pat. No. Des. 707,984.
- (51) **LOC (10) Cl.** **06-09**
- (52) **U.S. Cl.**
USPC **D6/606**
- (58) **Field of Classification Search**
USPC 5/482, 485, 495, 658, 907; D6/606,
D6/602, 603
See application file for complete search history.

References Cited

U.S. PATENT DOCUMENTS

- 5,782,408 A * 7/1998 Carter 239/34
- 6,014,782 A * 1/2000 Stevenson 5/499
- 6,216,292 B1 * 4/2001 Oakhill et al. 5/482
- 6,845,532 B1 * 1/2005 Rosenblum 5/482
- D655,965 S * 3/2012 Schachte D6/606



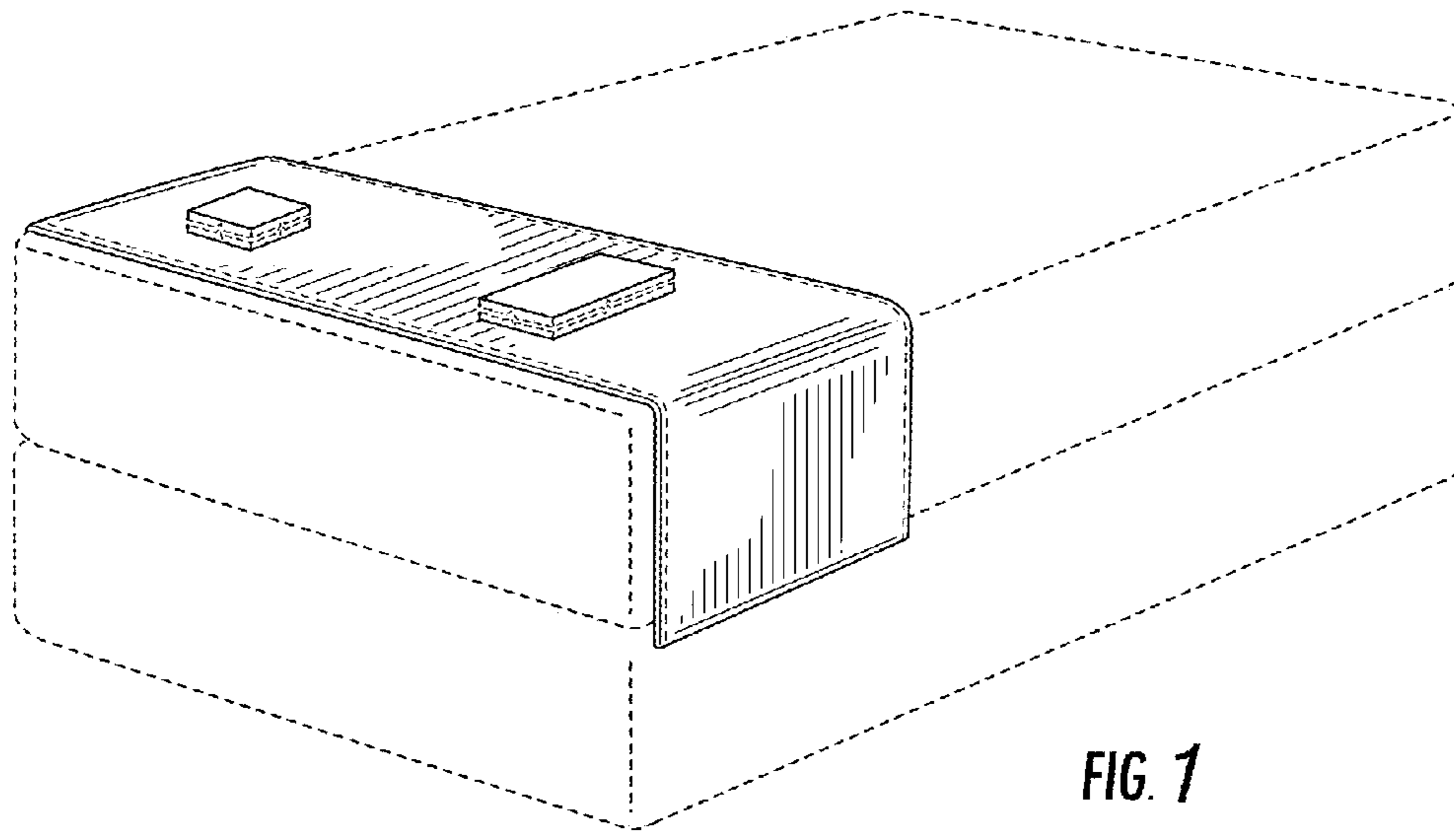


FIG. 1

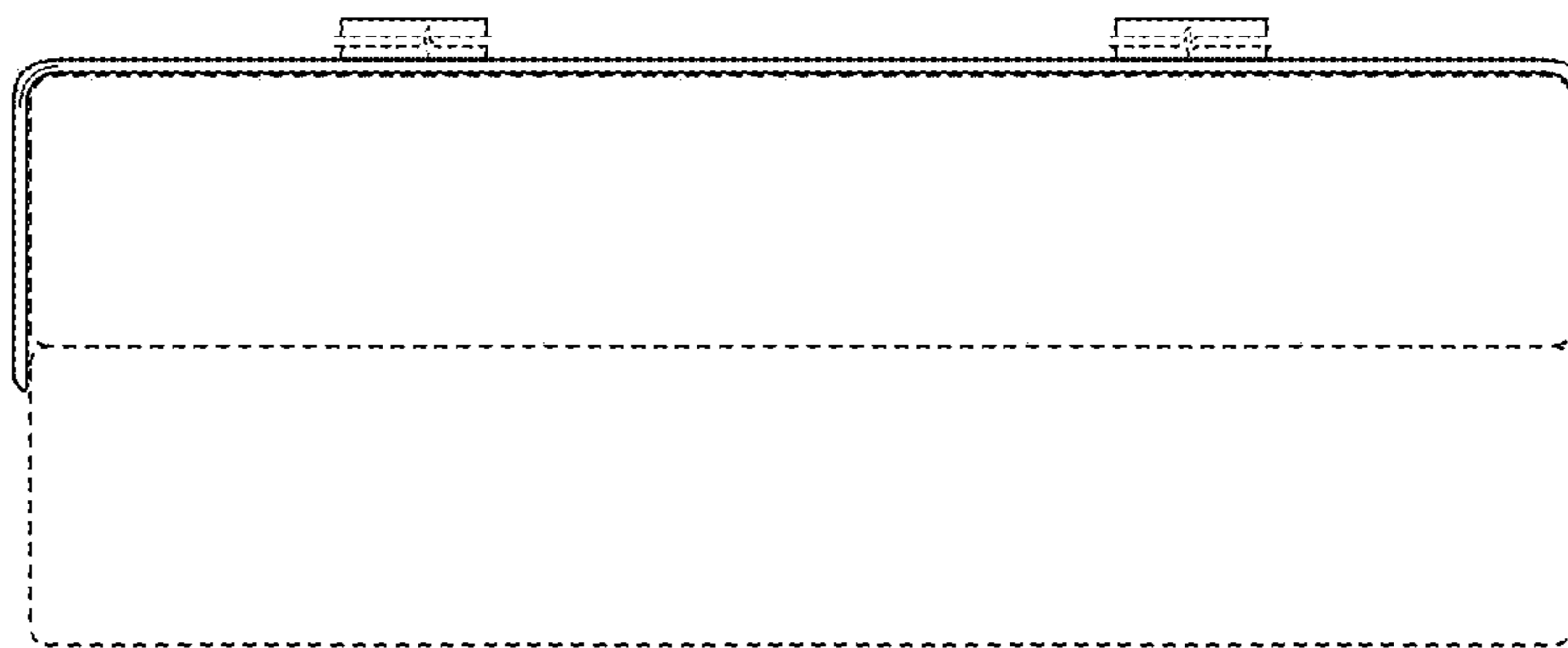


FIG. 3

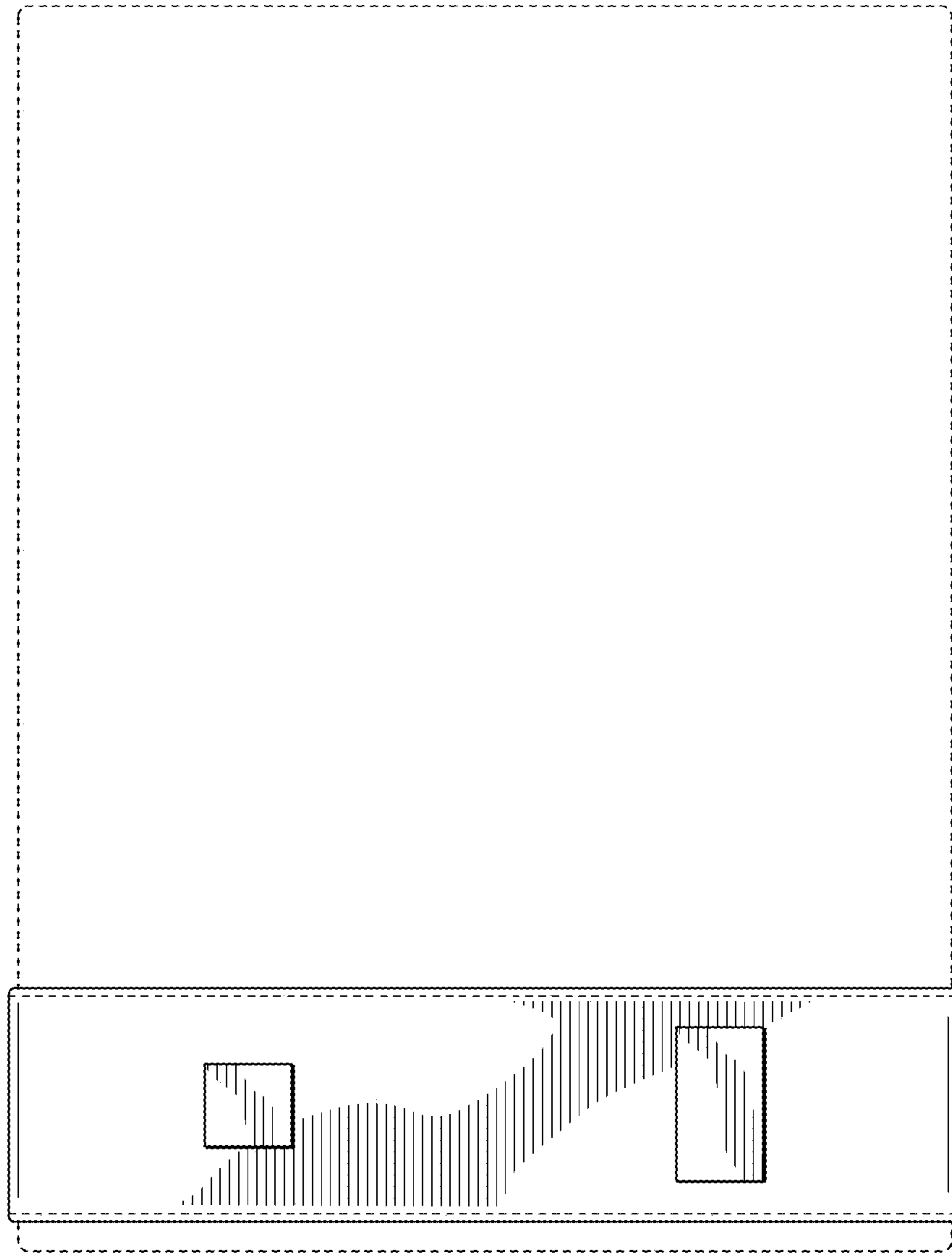


FIG. 2

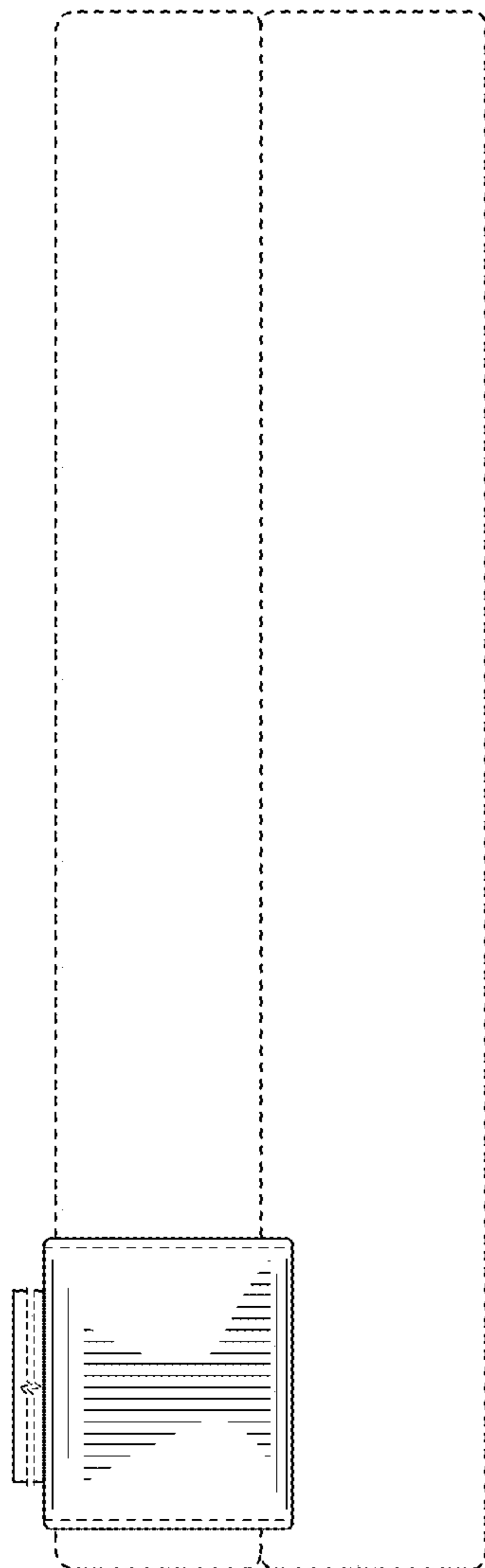


FIG. 4

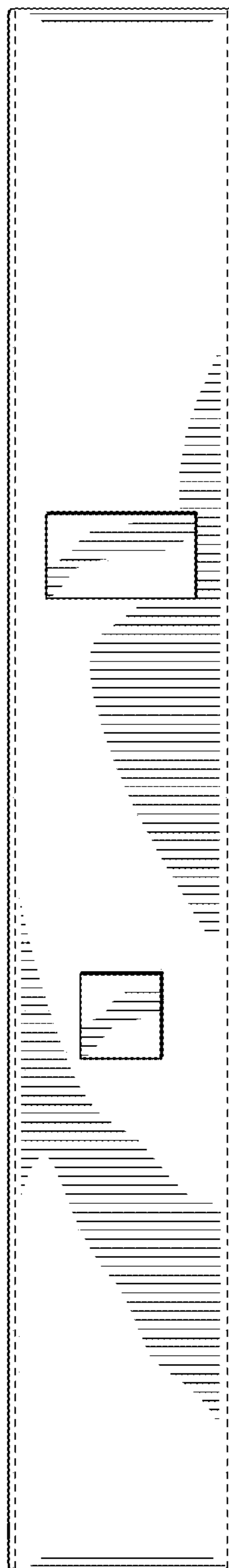


FIG. 5