



US00D719376S

(12) **United States Design Patent**
Nelson

(10) **Patent No.:** **US D719,376 S**

(45) **Date of Patent:** **** Dec. 16, 2014**

(54) **BARRICADE ATTACHABLE ACTIVITY TABLE**

Primary Examiner — Brian N Vinson

(74) *Attorney, Agent, or Firm* — Ash Tankha; Lipton, Weinberger & Husick

(71) Applicant: **Hans Edward Nelson**, Seattle, WA (US)

(72) Inventor: **Hans Edward Nelson**, Seattle, WA (US)

(**) Term: **14 Years**

(57) **CLAIM**

The ornamental design for a barricade attachable activity table, as shown and described.

(21) Appl. No.: **29/435,288**

(22) Filed: **Oct. 23, 2012**

(51) **LOC (10) Cl.** **06-04**

(52) **U.S. Cl.**

USPC **D6/555**

(58) **Field of Classification Search**

USPC D6/553, 555, 567, 569; D12/172;
312/114, 126, 128–129, 204, 231, 245;
211/13.1, 14, 88.01, 126.1, 134

See application file for complete search history.

DESCRIPTION

FIG. 1 is a front elevation view of an ornamental design for a barricade attachable activity table.

FIG. 2 is a rear elevation view thereof.

FIG. 3 is a left side elevation view thereof.

FIG. 4 is a right side elevation view thereof.

FIG. 5 is a top elevation view thereof.

FIG. 6 is a bottom elevation view thereof.

FIG. 7 is a rear perspective view thereof, showing attachment of the barricade attachable activity table to barricading ground posts; and,

FIG. 8 is a top elevation view thereof, showing attachment of the barricade attachable activity table to barricading ground posts.

The broken line showing of barricading ground posts in FIGS. 7-8 is for the purpose of illustrating environment and forms no part of the claimed design.

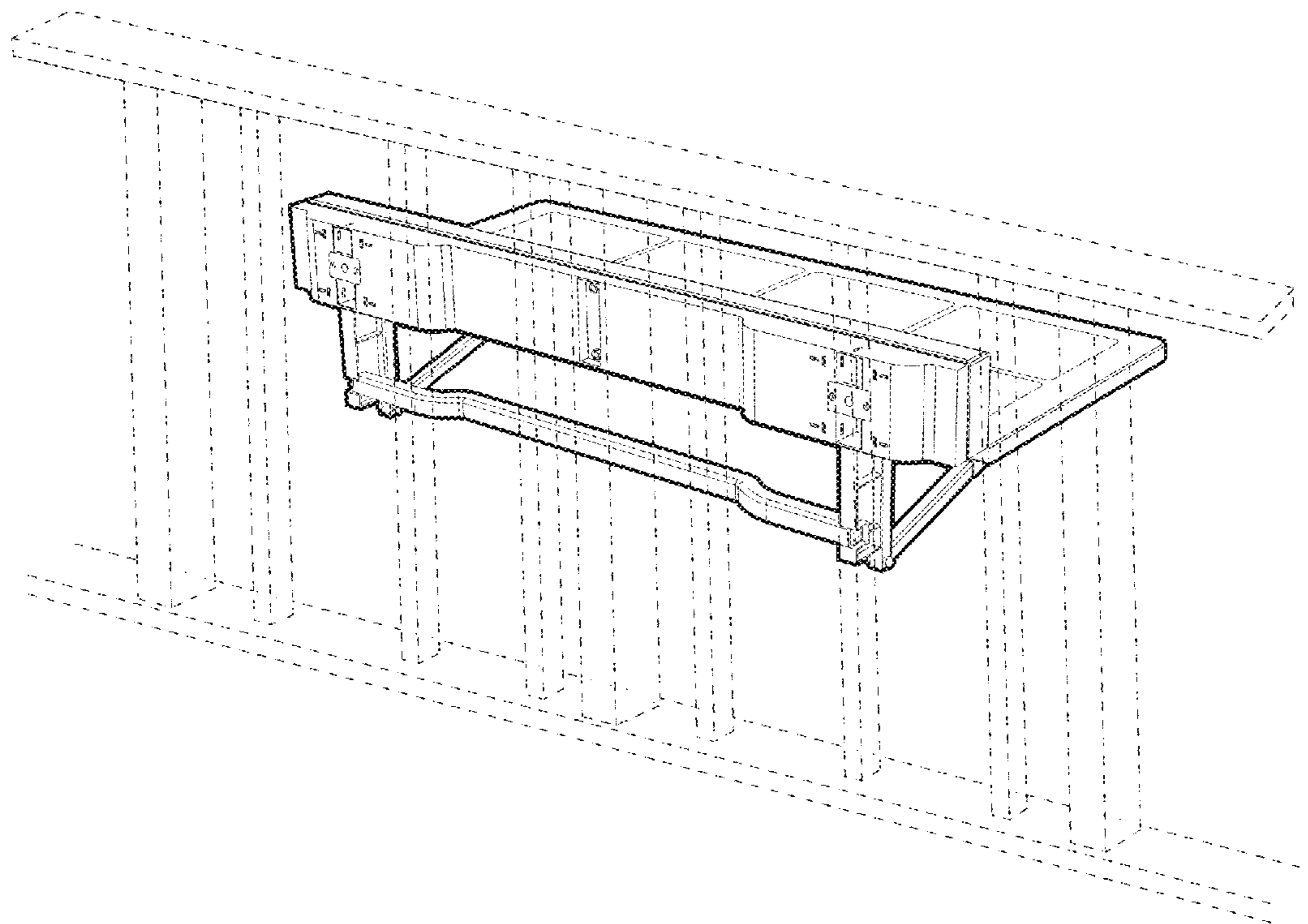
(56) **References Cited**

U.S. PATENT DOCUMENTS

D164,980 S *	10/1951	Boggs	D6/555
D292,352 S *	10/1987	Hampshire et al.	D6/555
D305,632 S *	1/1990	Kraklio	D6/555
D355,990 S *	3/1995	Vincelli	D6/555
D395,185 S *	6/1998	Neufeld et al.	D6/555
D583,176 S *	12/2008	Bochner et al.	D6/555
D662,344 S *	6/2012	Cook	D6/555

* cited by examiner

1 Claim, 8 Drawing Sheets



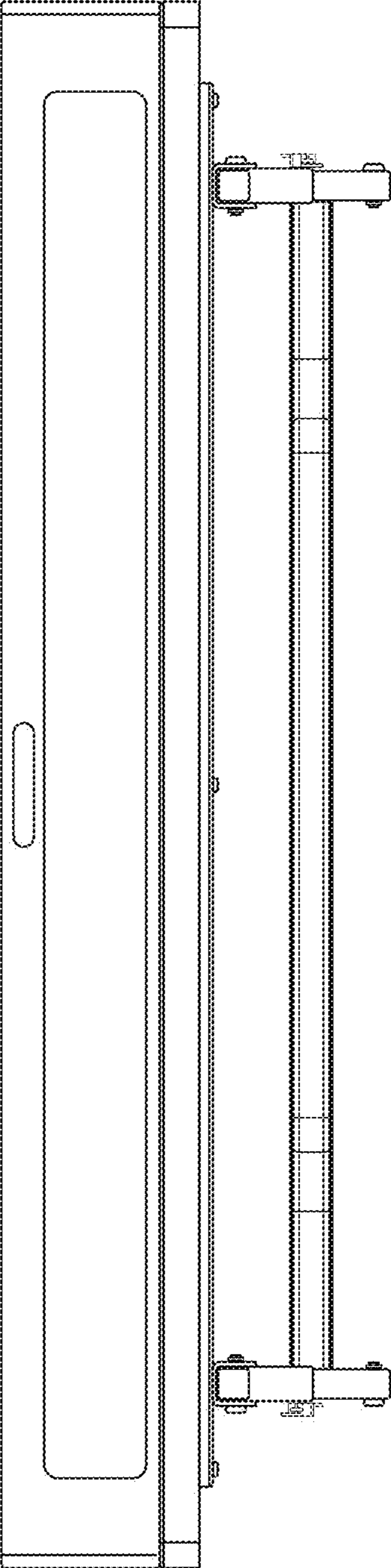


FIG. 1

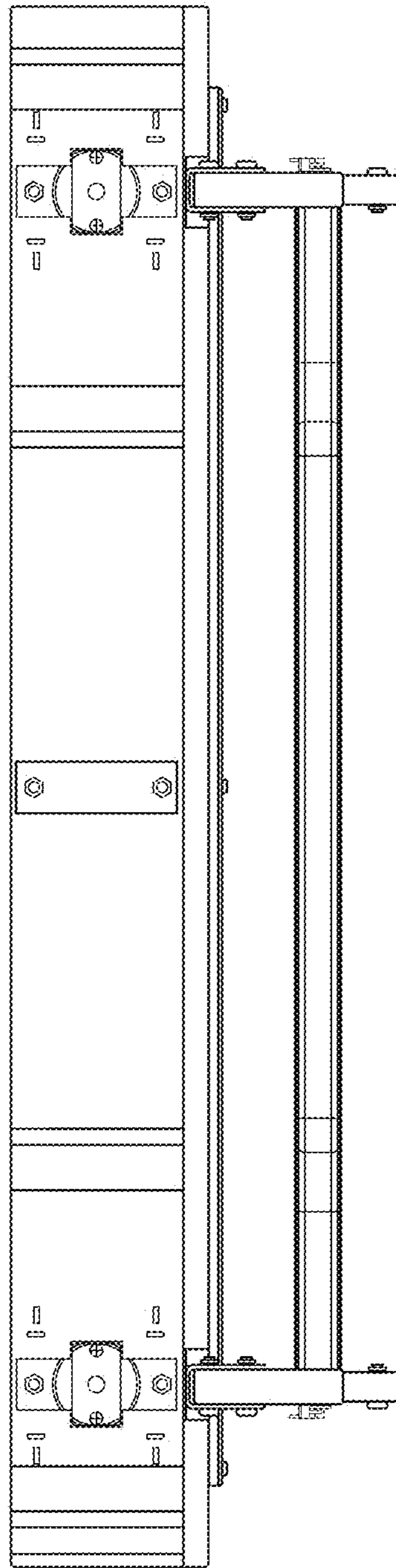


FIG. 2

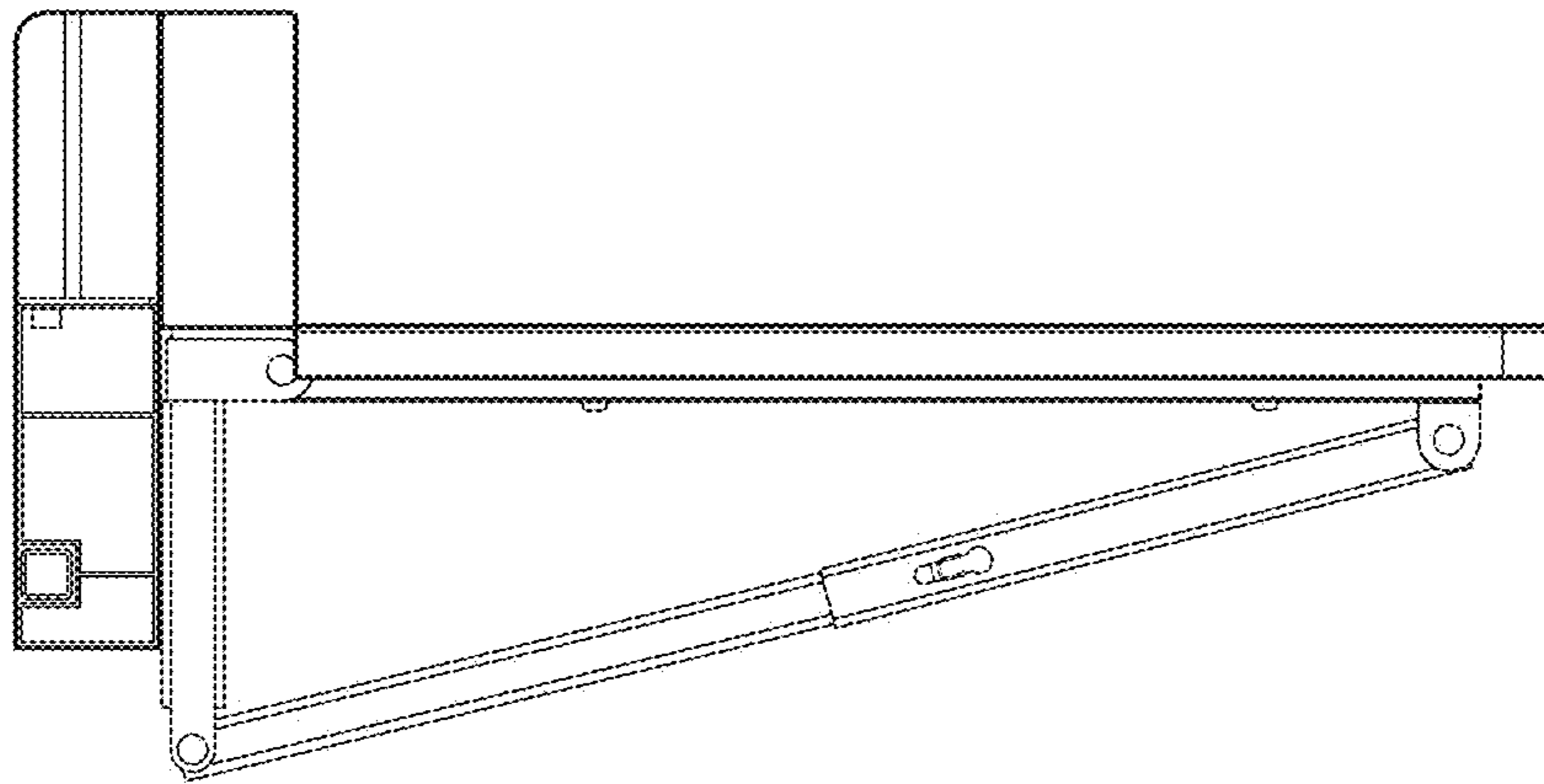


FIG. 3

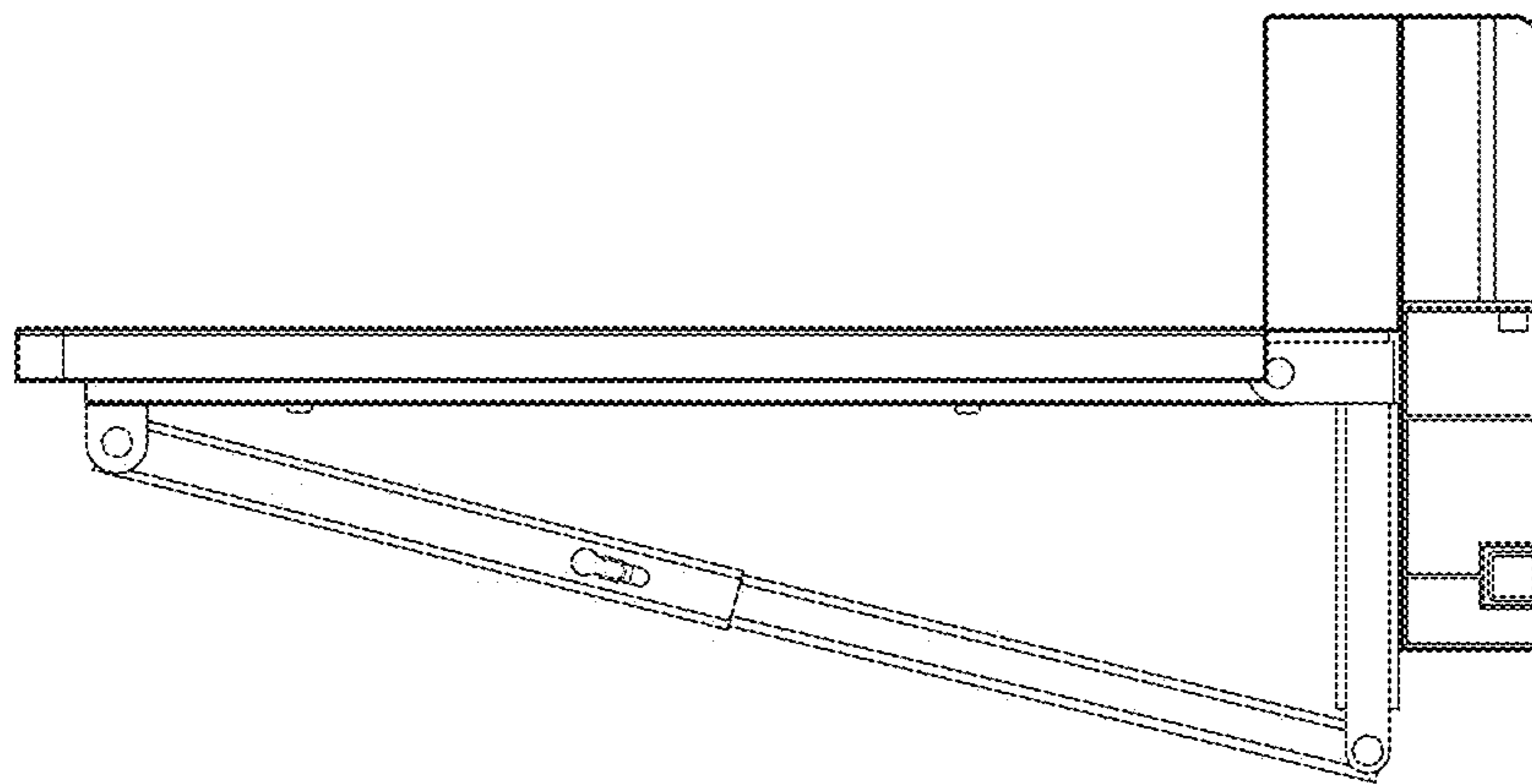


FIG. 4

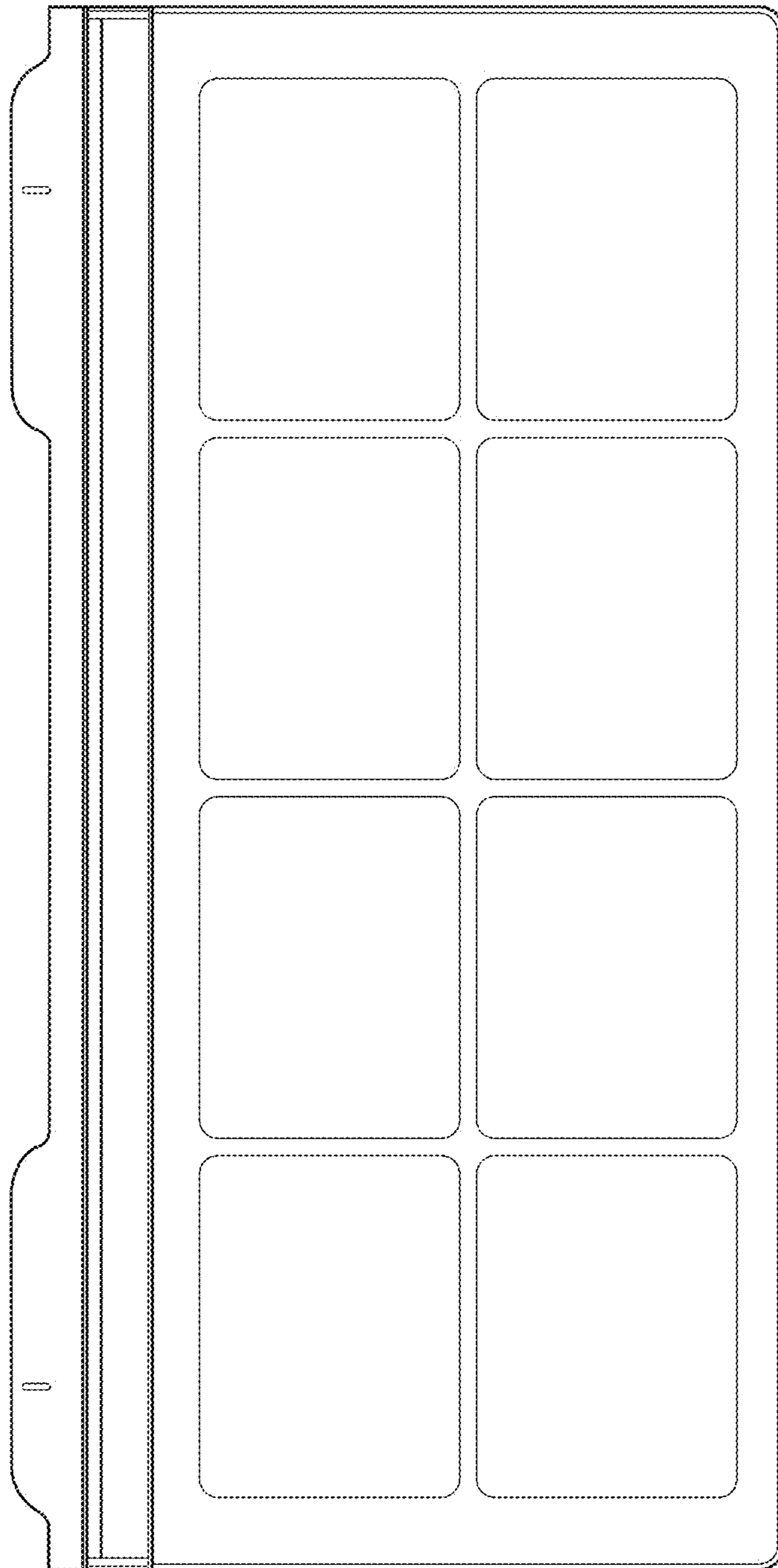


FIG. 5

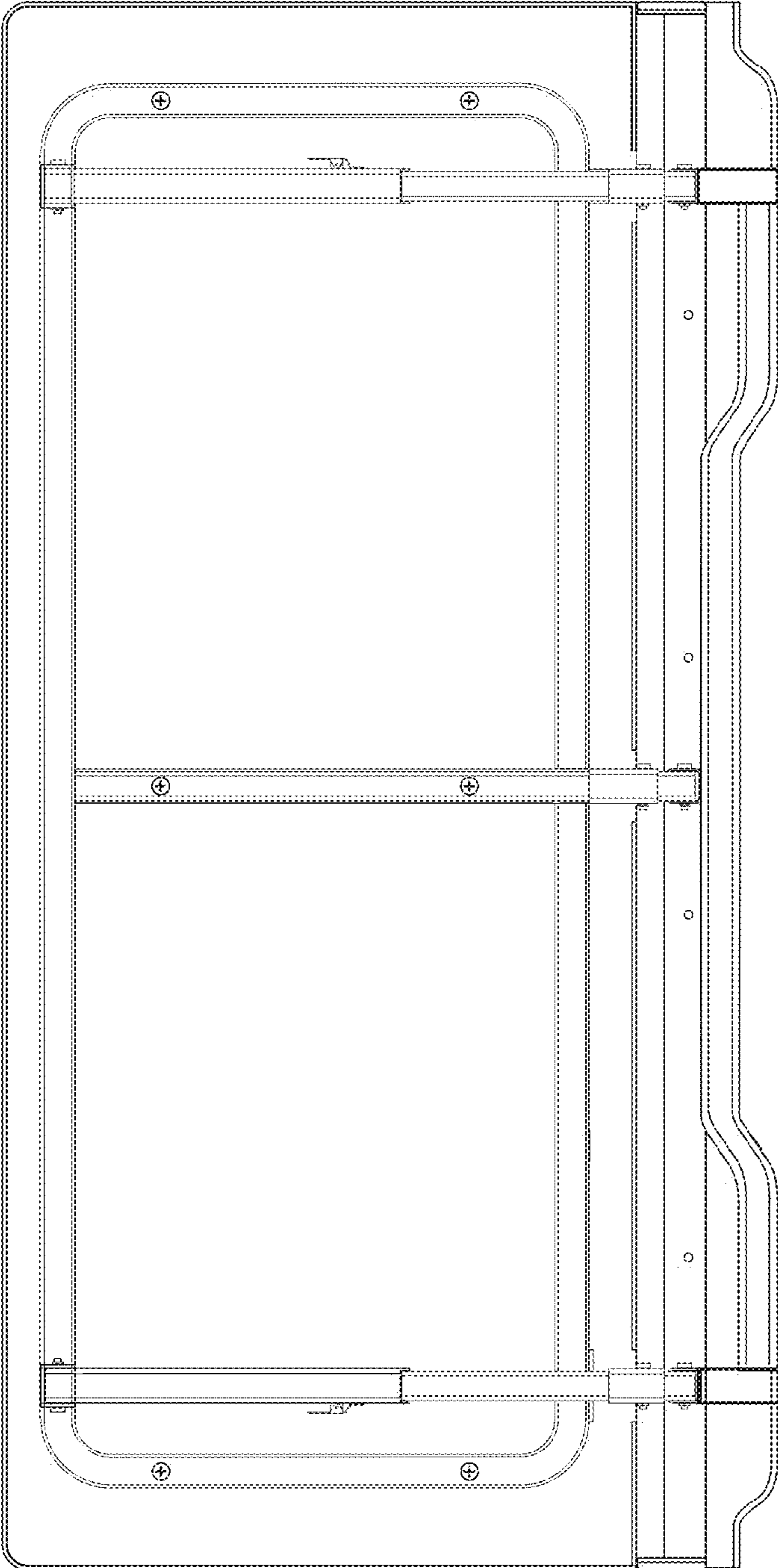


FIG. 6

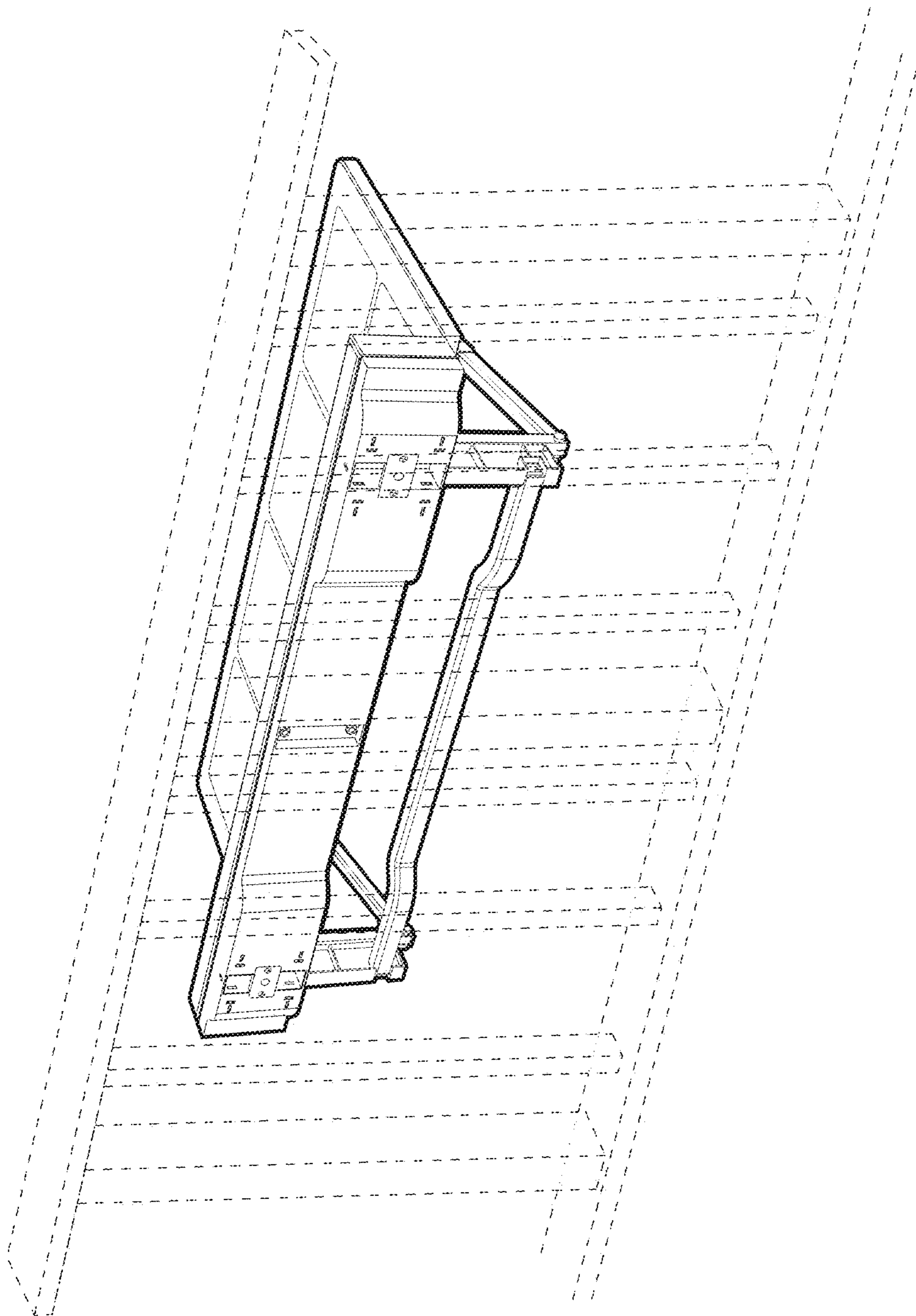


FIG. 7

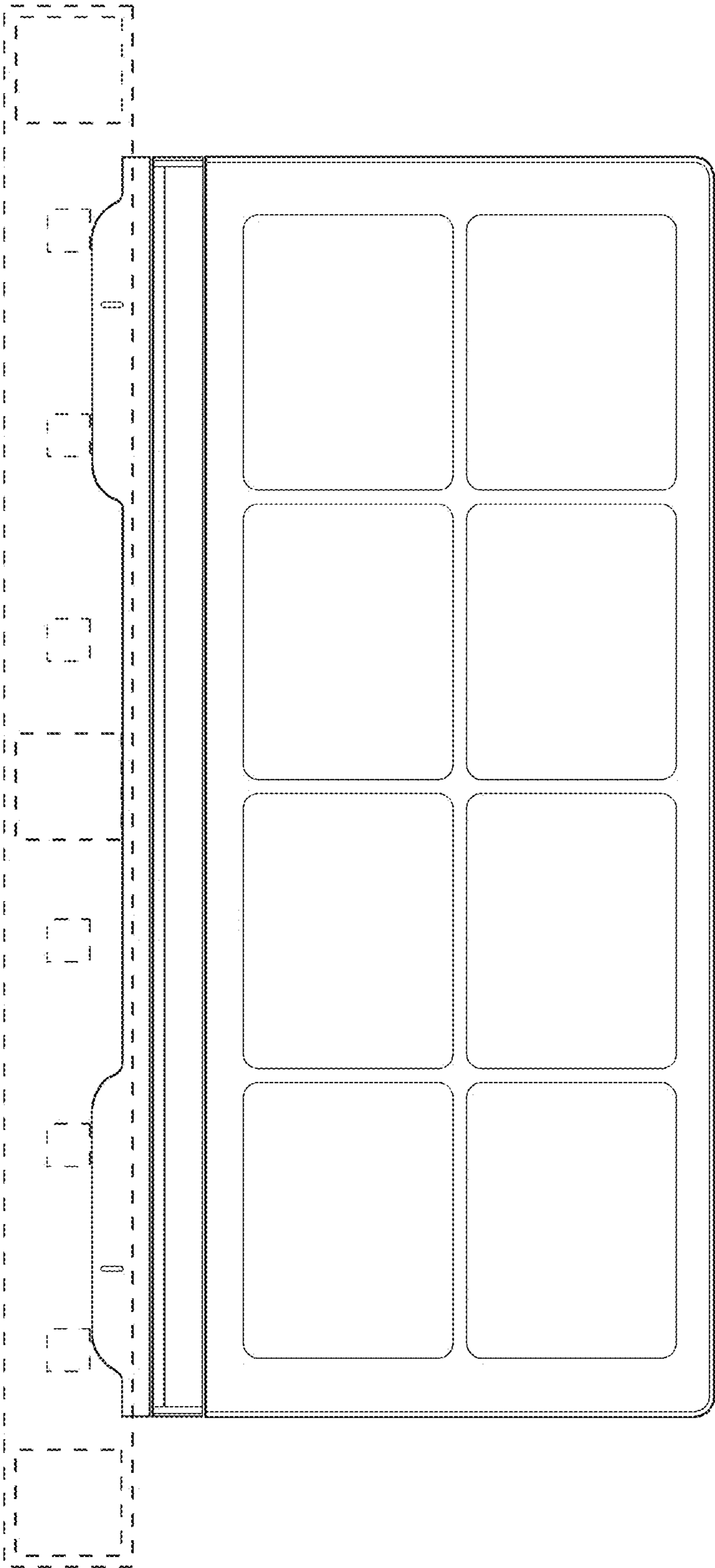


FIG. 8