



US00D719375S

(12) **United States Design Patent**  
**Cox**

(10) **Patent No.:** **US D719,375 S**

(45) **Date of Patent:** **\*\* Dec. 16, 2014**

(54) **PORTABLE GUN RACK**

(71) Applicant: **George E Cox**, Bremen, IN (US)

(72) Inventor: **George E Cox**, Bremen, IN (US)

(\*\*) Term: **14 Years**

(21) Appl. No.: **29/490,986**

(22) Filed: **May 15, 2014**

(51) **LOC (10) Cl.** ..... **08-08**

(52) **U.S. Cl.**  
USPC ..... **D6/552**

(58) **Field of Classification Search**  
USPC ..... D6/552; D21/573; 248/96; 211/13.1,  
211/64; 224/483, 539, 566, 568, 571;  
280/13, 652

See application file for complete search history.

(56) **References Cited**

U.S. PATENT DOCUMENTS

D587,051 S *	2/2009	Vining .....	D6/552
D609,516 S *	2/2010	Vining .....	D6/552
D643,658 S *	8/2011	Vining .....	D6/552
D704,474 S *	5/2014	Klein et al. ....	D6/552

\* cited by examiner

*Primary Examiner* — Brian N Vinson

(74) *Attorney, Agent, or Firm* — Botkin & Hall, LLP

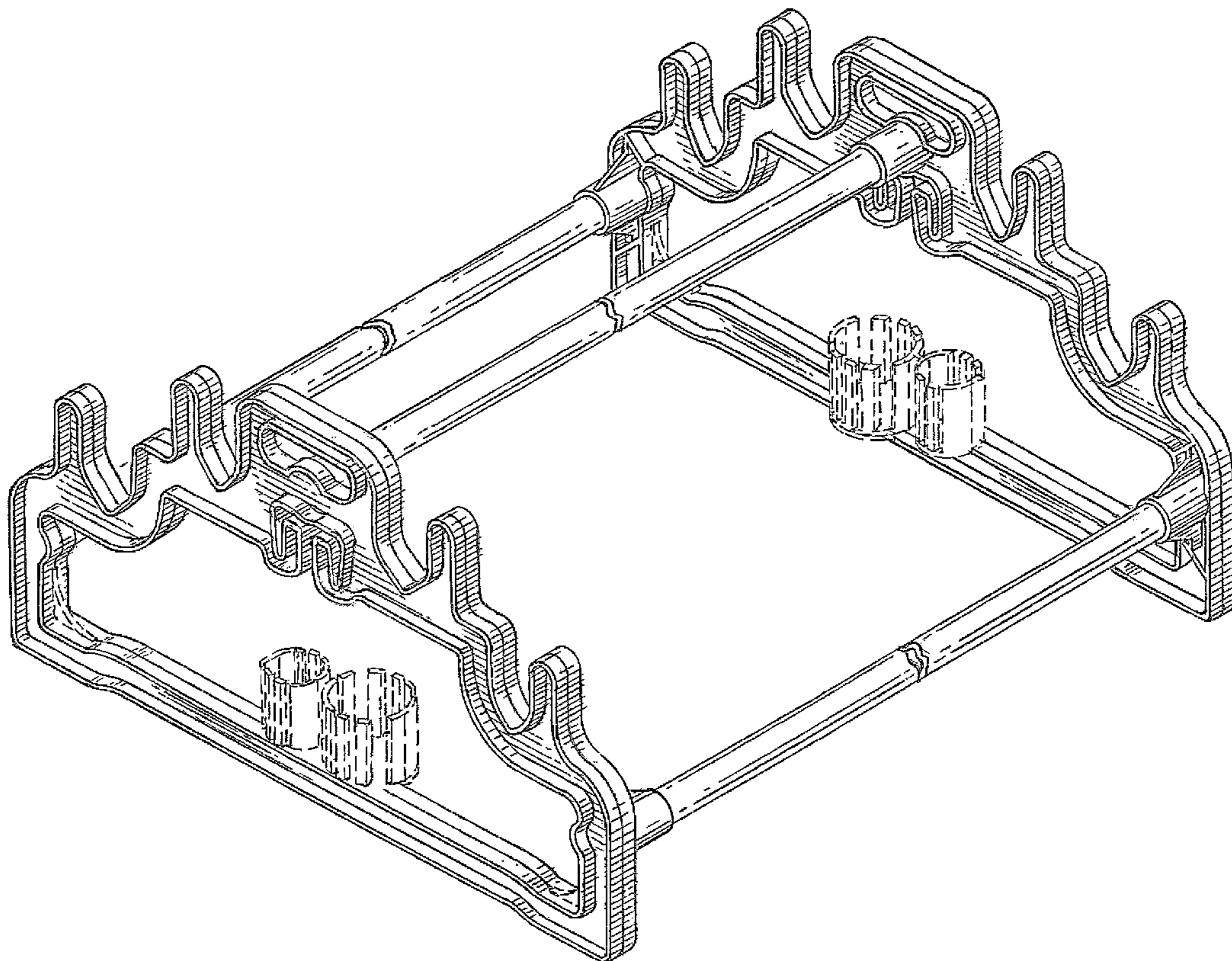
(57) **CLAIM**

The ornamental design for a portable gun rack, as shown and described.

**DESCRIPTION**

FIG. 1 is a perspective view of the portable gun rack; FIG. 2 is a top view of the portable gun rack of FIG. 1; FIG. 3 is a side view of the portable gun rack of FIG. 1, both sides being the same; FIG. 4 is a back view of the portable gun rack of FIG. 1, the front and back being the same; and, FIG. 5 is a bottom view of the portable gun rack of FIG. 1. The broken-line disclosure represents portions of the gun rack which form no part of the claimed design.

**1 Claim, 3 Drawing Sheets**



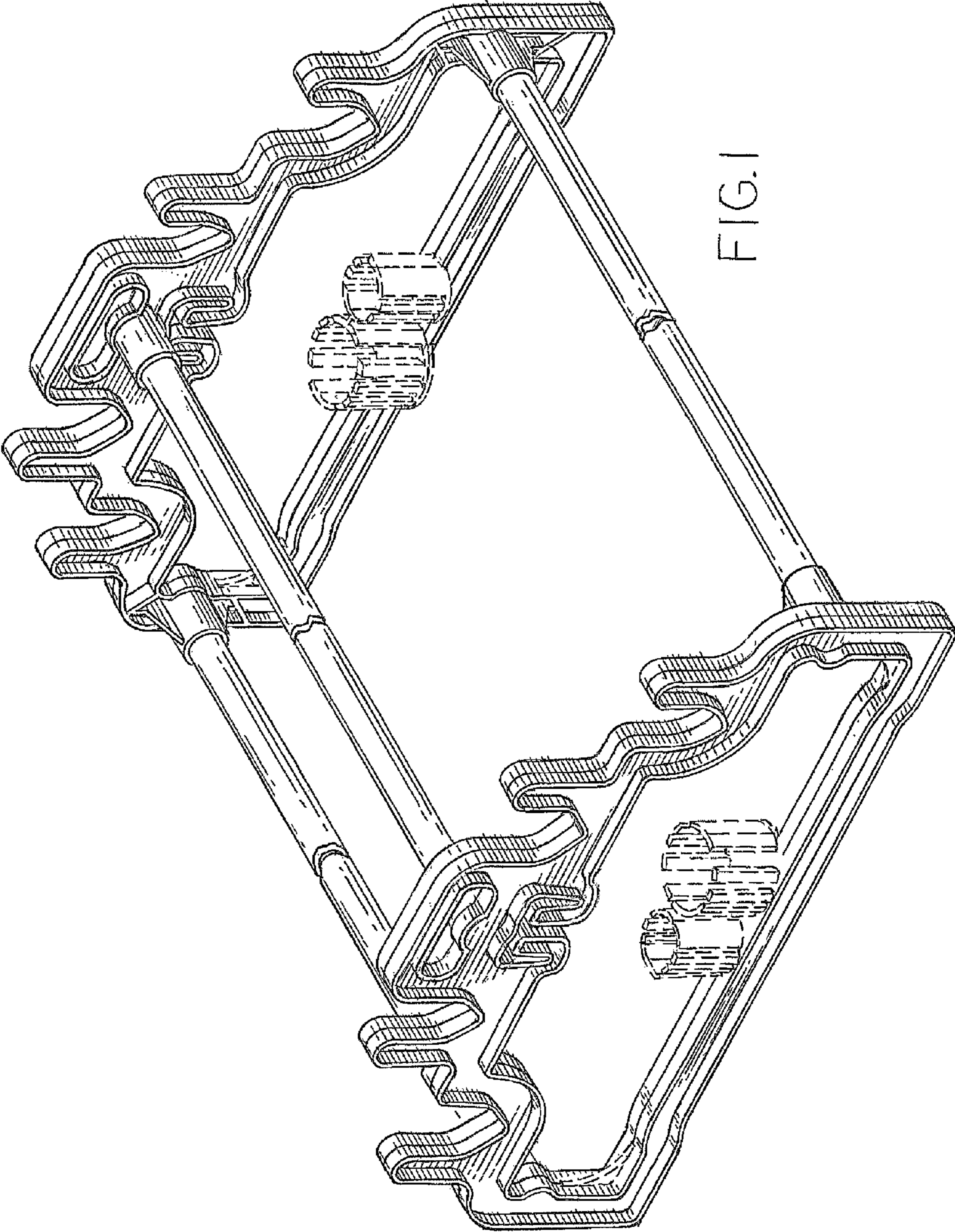


FIG. 1

FIG. 2

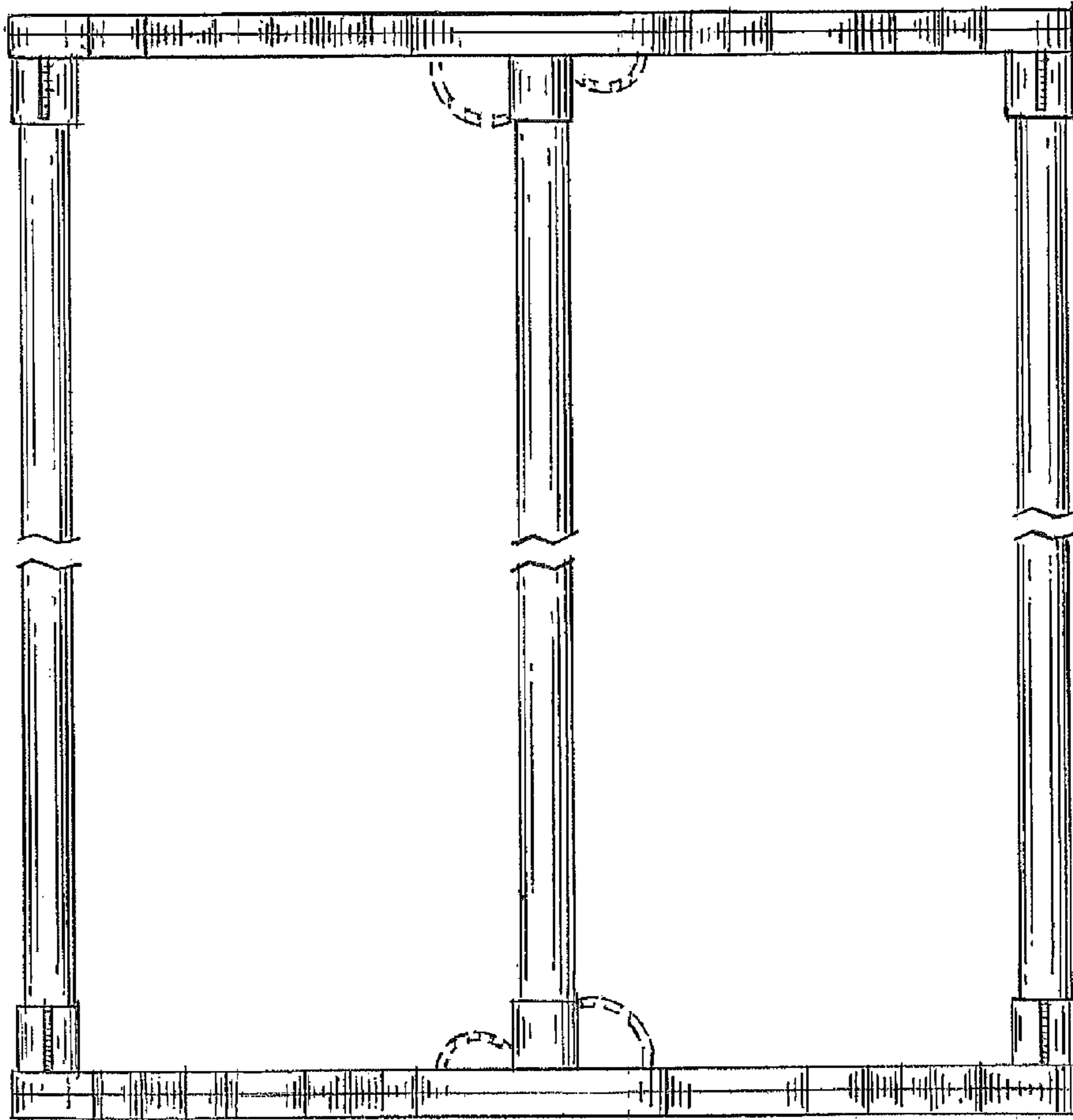


FIG. 3

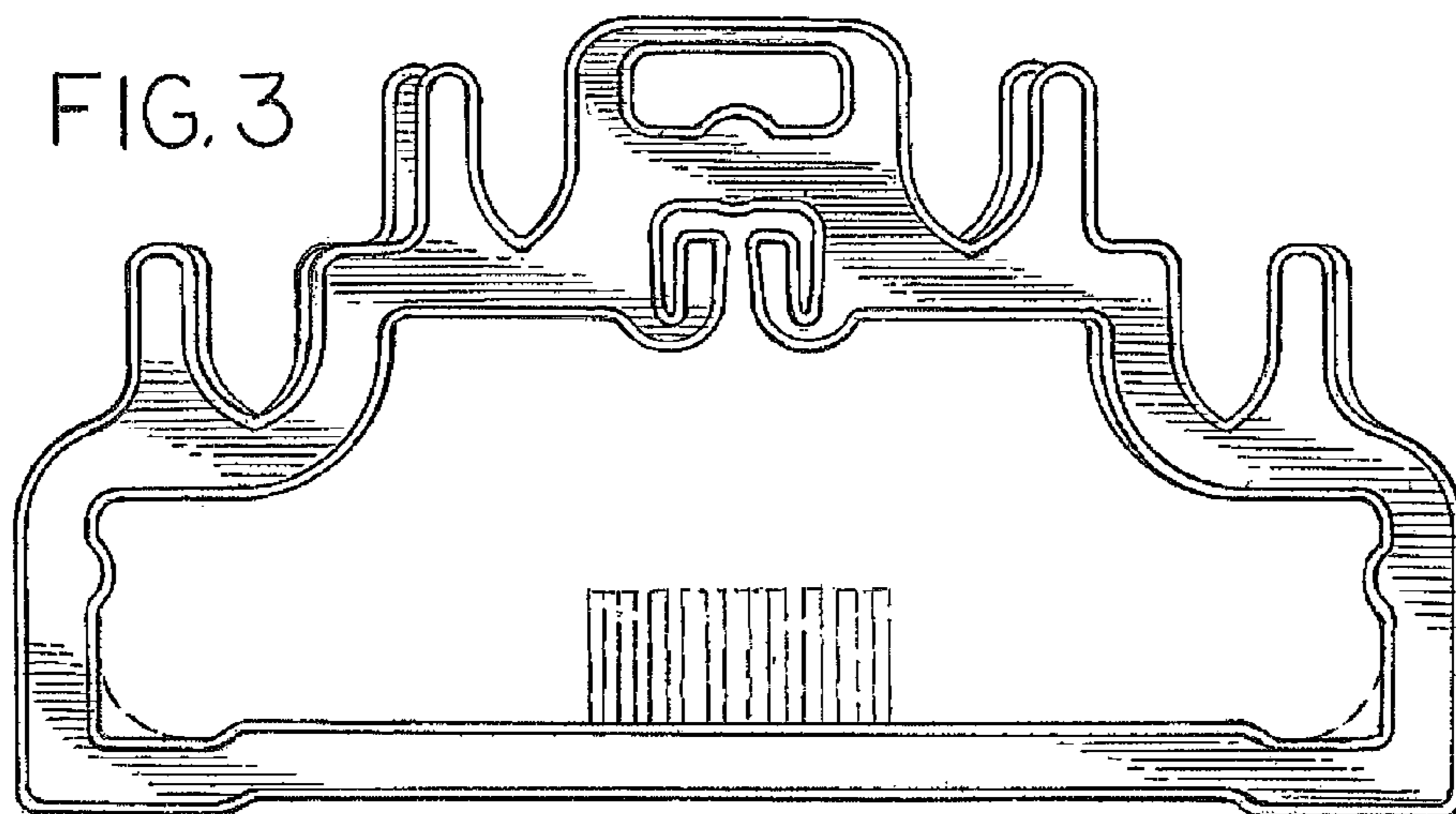


FIG. 4

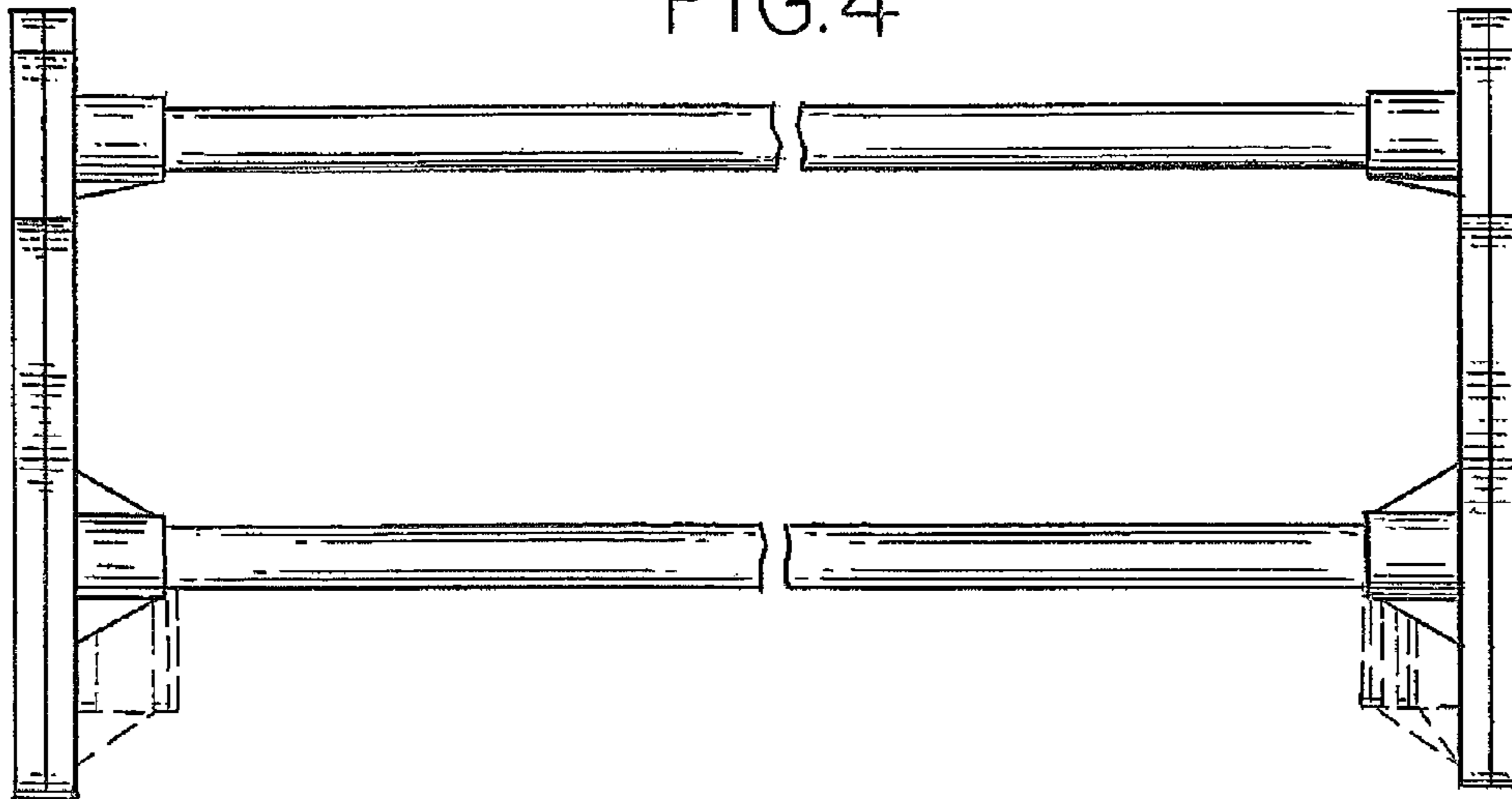


FIG 5

