



US00D719374S

(12) **United States Design Patent**
Myron

(10) **Patent No.:** **US D719,374 S**
(45) **Date of Patent:** **** Dec. 16, 2014**

(54) **CENTER SPREADER ADAPTER TOOL FOR TOILET PAPER ROLLS AND PAPER TOWEL ROLLS THAT DO NOT HAVE INNER CARDBOARD TUBES**

FOREIGN PATENT DOCUMENTS

JP 10127524 5/1998
JP 3071707 9/2000

OTHER PUBLICATIONS

Myron, Office Action Summary, U.S. Appl. No. 13/750,045, mailed on Dec. 2, 2013, 10 pages.

(Continued)

Primary Examiner — Brian N Vinson

(74) *Attorney, Agent, or Firm* — Brian S. Steinberger; Law Offices of Brian S. Steinberger, P.A.

(71) Applicant: **Richard Myron**, Blairstown, NJ (US)

(72) Inventor: **Richard Myron**, Blairstown, NJ (US)

(**) Term: **14 Years**

(21) Appl. No.: **29/485,740**

(22) Filed: **Mar. 21, 2014**

(57) **CLAIM**

The ornamental design for a novel center spreader adapter tool for toilet paper rolls and paper towel rolls that do not have inner cardboard tubes, as shown and described.

Related U.S. Application Data

(62) Division of application No. 29/443,970, filed on Jan. 24, 2013, now Pat. No. Des. 703,461.

(51) **LOC (10) Cl.** **23-02**

(52) **U.S. Cl.**
USPC **D6/523**

(58) **Field of Classification Search**
USPC D6/518-523; 206/389, 391; 211/13.1, 211/59.1, 45, 890.1; 242/570, 590, 597.7, 242/599.1, 599.3; 248/309.1, 309.2
See application file for complete search history.

DESCRIPTION

FIG. 1 is a front side view of a toilet paper roll tube insert with a raised spiral rib.

FIG. 2 is a left side view of the toilet paper roll tube insert of FIG. 1.

FIG. 3 is a back side view of the toilet paper roll tube insert of FIG. 1.

FIG. 4 is a right side view of the toilet paper roll tube insert of FIG. 1.

FIG. 5 is a top end view of the toilet paper roll tube insert of FIG. 1.

FIG. 6 is a bottom end view of the toilet paper roll tube insert of FIG. 1.

FIG. 7 is a front side top perspective view of the toilet paper roll tube insert of FIG. 1.

FIG. 8 is a left side top perspective view of the toilet paper roll tube insert of FIG. 1.

FIG. 9 is a back side top perspective view of the toilet paper roll tube insert of FIG. 1; and,

FIG. 10 is a right side top perspective view of the toilet paper roll tube insert of FIG. 1.

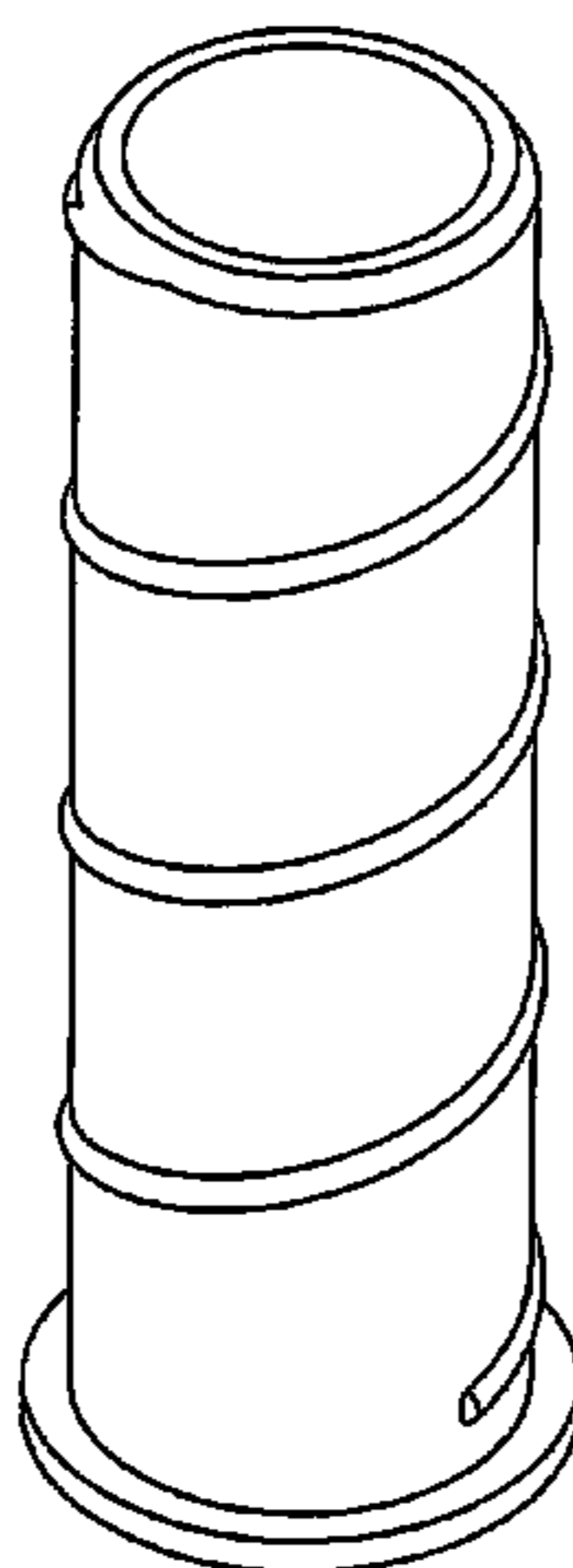
(56) **References Cited**

U.S. PATENT DOCUMENTS

580,892 A	4/1897	Phillips	
674,285 A	5/1901	Saxton	
1,674,285 A	6/1928	Harvey	
1,922,716 A	8/1933	Robinett	
2,522,109 A *	9/1950	Foltis	D6/523
D180,595 S *	7/1957	Gralewicz	D6/523
D198,832 S *	8/1964	Moy	D6/523
D205,497 S *	8/1966	Webber	D6/523

(Continued)

1 Claim, 9 Drawing Sheets



(56)

References Cited

U.S. PATENT DOCUMENTS

3,292,874 A 12/1966 Tinkham
 3,375,995 A 4/1968 Roman
 3,519,216 A 7/1970 Rienzi
 D218,331 S * 8/1970 Uitz D6/523
 3,881,666 A 5/1975 Greenhalgh
 4,149,682 A 4/1979 Gustafson
 4,235,389 A 11/1980 Ness
 D291,518 S * 8/1987 Chap D6/523
 4,783,016 A 11/1988 Pool
 D324,618 S * 3/1992 Morand D6/523
 5,100,075 A 3/1992 Morand
 5,323,980 A 6/1994 Neveu
 5,366,175 A 11/1994 Schutz
 5,370,339 A 12/1994 Moody
 5,402,978 A * 4/1995 Larson D6/523
 5,445,344 A 8/1995 Seger
 5,451,013 A 9/1995 Schultz
 5,492,280 A 2/1996 Corres
 5,495,997 A 3/1996 Moody
 5,577,686 A 11/1996 Moody
 D381,851 S * 8/1997 Sharpe D6/523
 5,669,576 A 9/1997 Moody
 5,775,632 A 7/1998 Huerta

5,868,342 A 2/1999 Moody
 6,036,134 A 3/2000 Moody
 6,328,246 B1 12/2001 Hjort
 6,360,985 B1 3/2002 Phelps
 6,439,502 B1 8/2002 Gemmell
 D494,395 S * 8/2004 Wolpert et al. D6/523
 7,086,628 B2 8/2006 Neri
 7,350,463 B2 4/2008 Blanchard
 7,513,453 B2 4/2009 Cattacin
 7,828,240 B2 11/2010 Hagleitner
 7,861,964 B2 1/2011 Cittadino
 8,002,215 B2 8/2011 Repp
 2002/0074450 A1 6/2002 Tramontina
 2005/0098465 A1 5/2005 Wolf
 2006/0175459 A1 8/2006 Hua
 2009/0057169 A1 3/2009 Kruchoski
 2010/0051738 A1 3/2010 Harvey
 2011/0114778 A1 5/2011 Andersson
 2011/0210199 A1 9/2011 Sinsabaugh
 2012/2010414 5/2012 Phelps

OTHER PUBLICATIONS

Myron, International Search Report, PCT Application PCT/US13/46523 filed Jun. 19, 2013, 16 pages.

* cited by examiner

FIG. 1

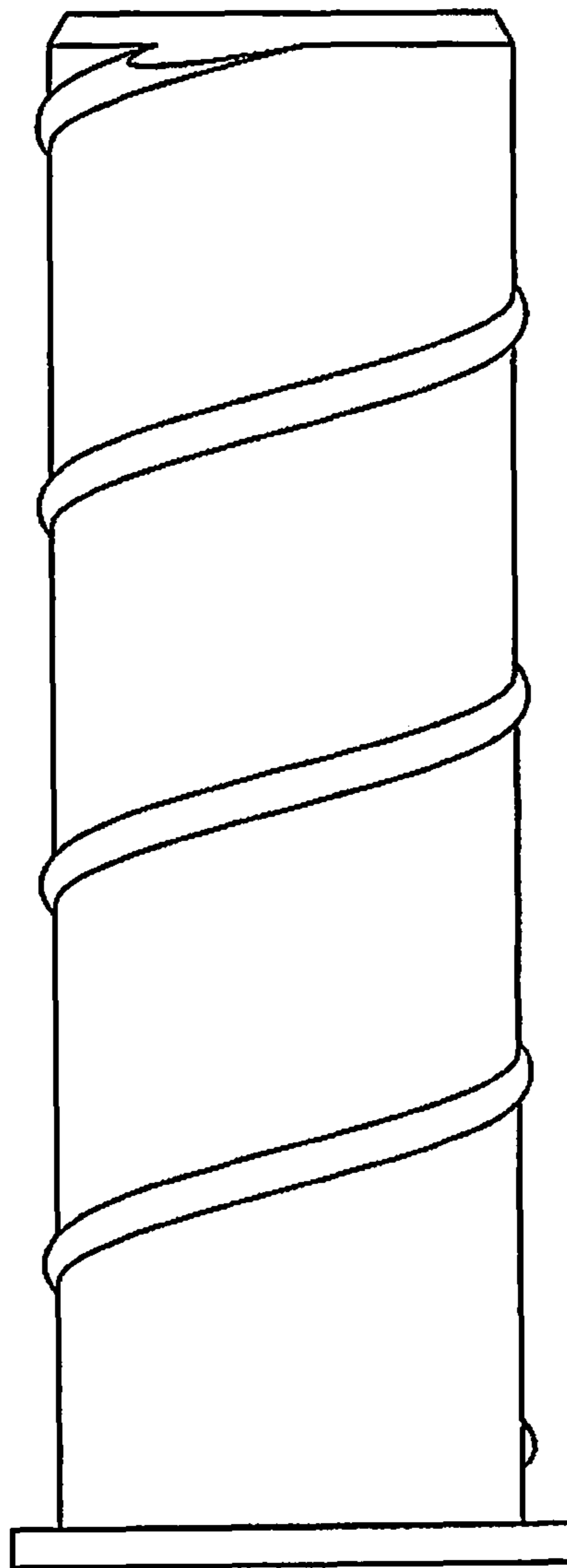


FIG. 2

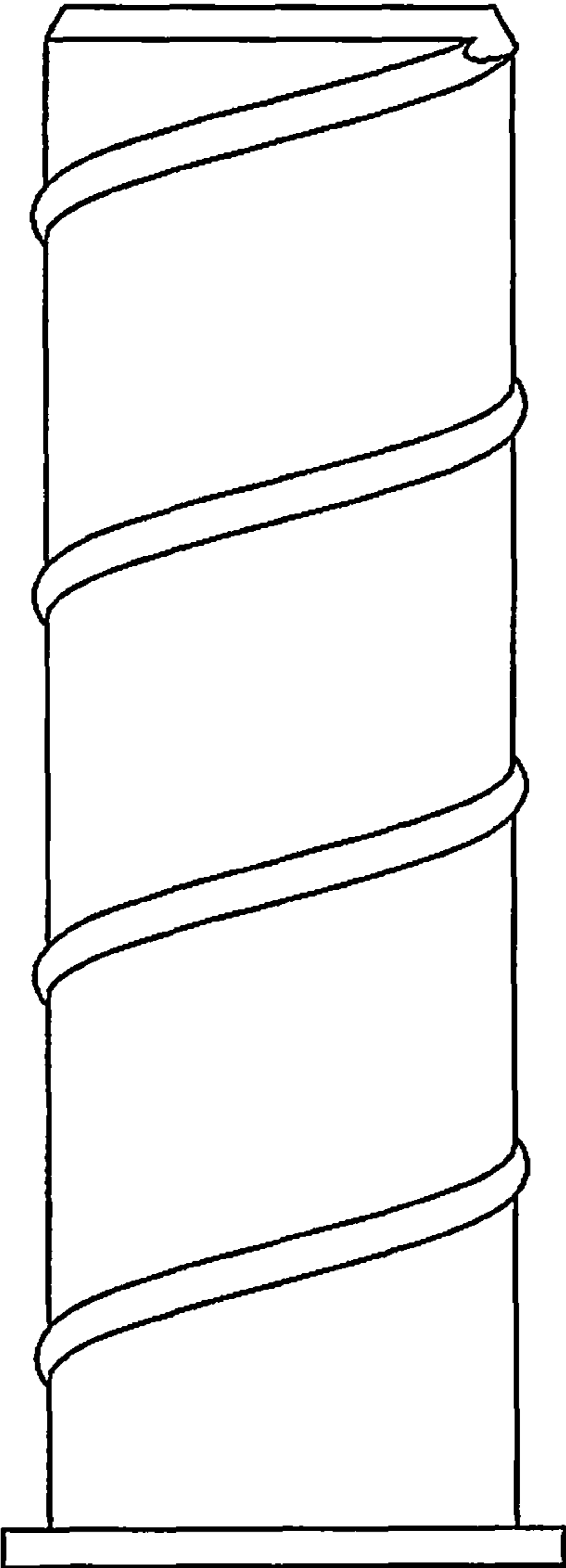


FIG. 3

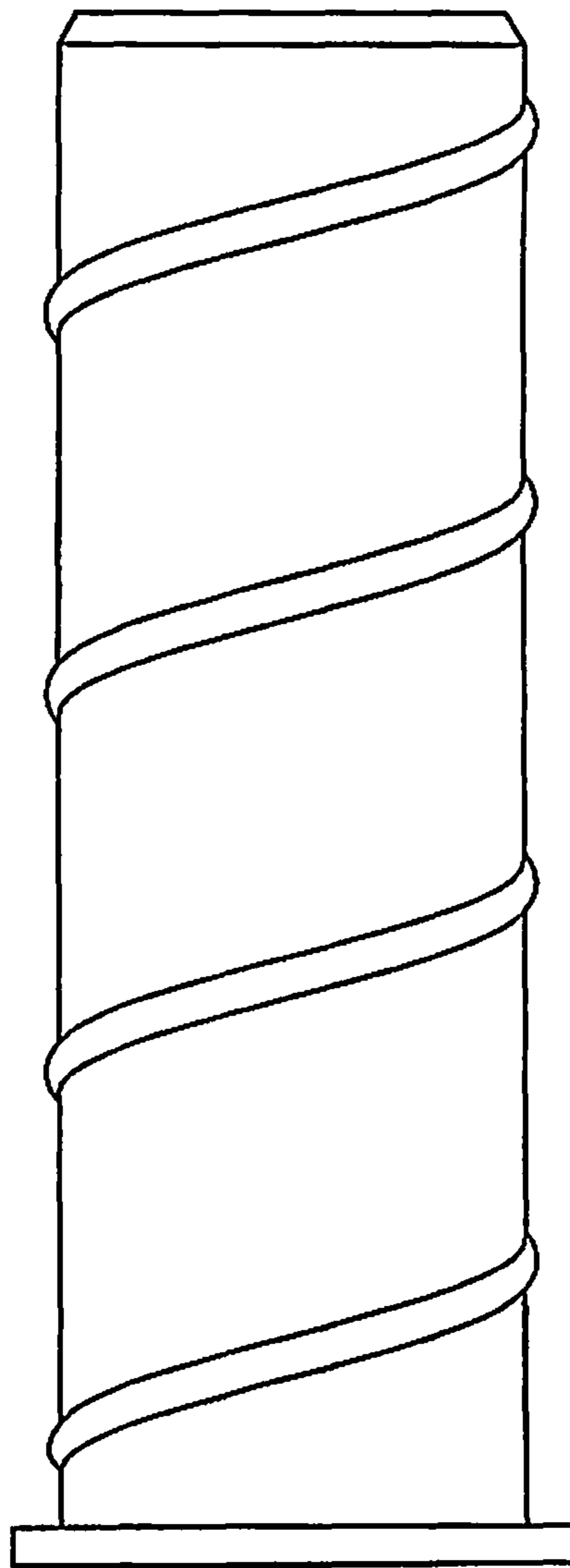


FIG. 4

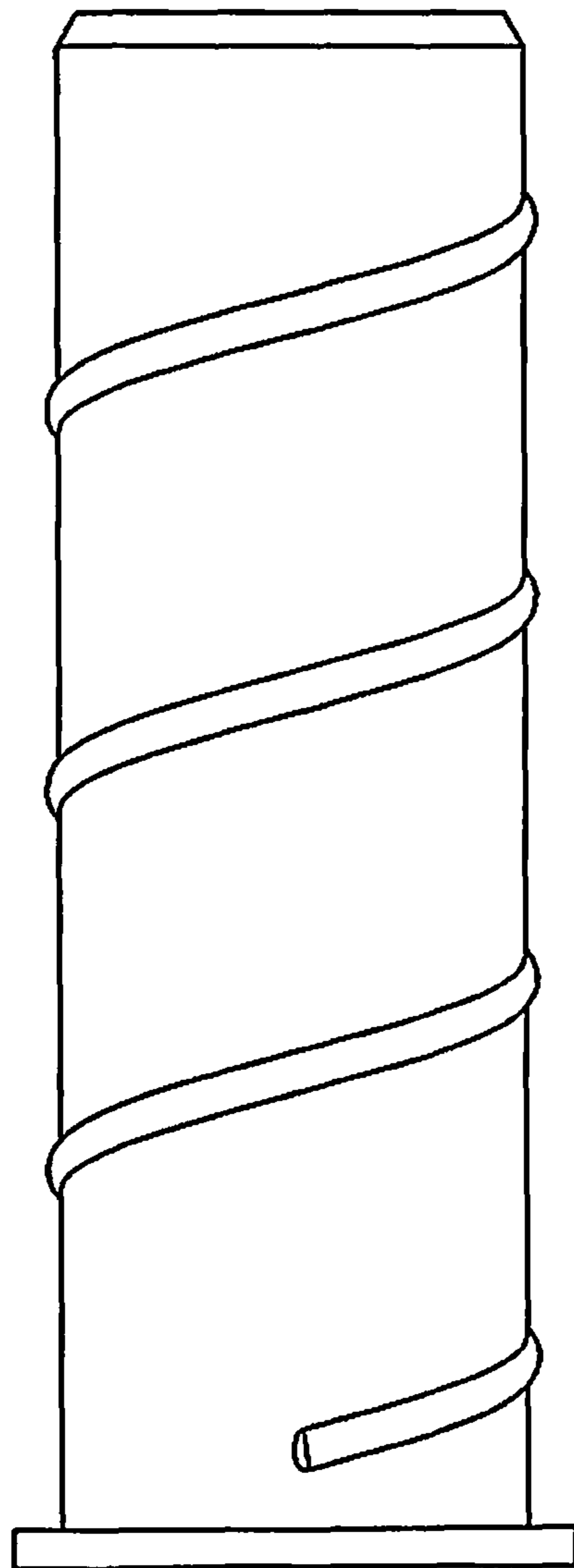


FIG. 5

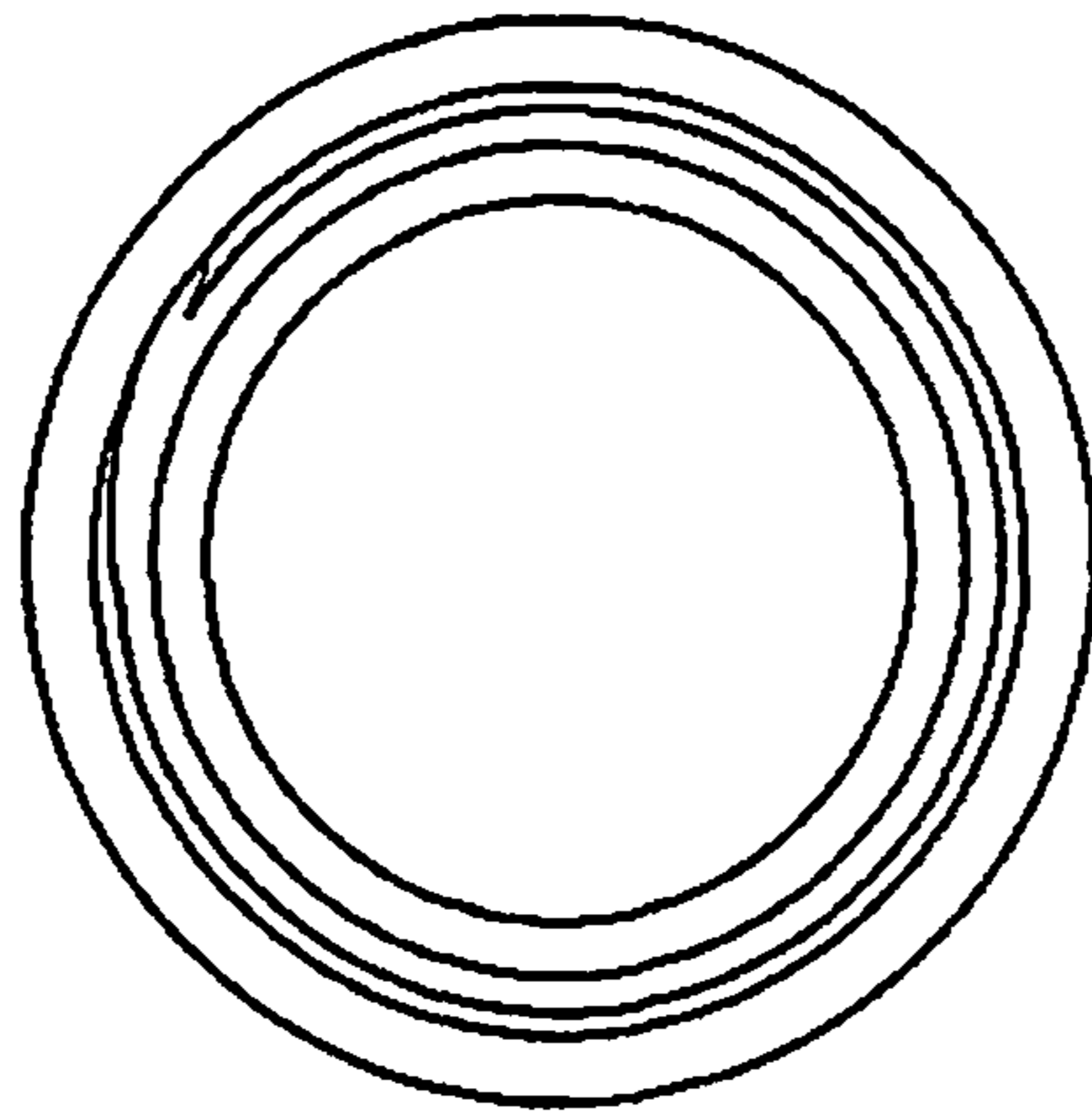


FIG. 6

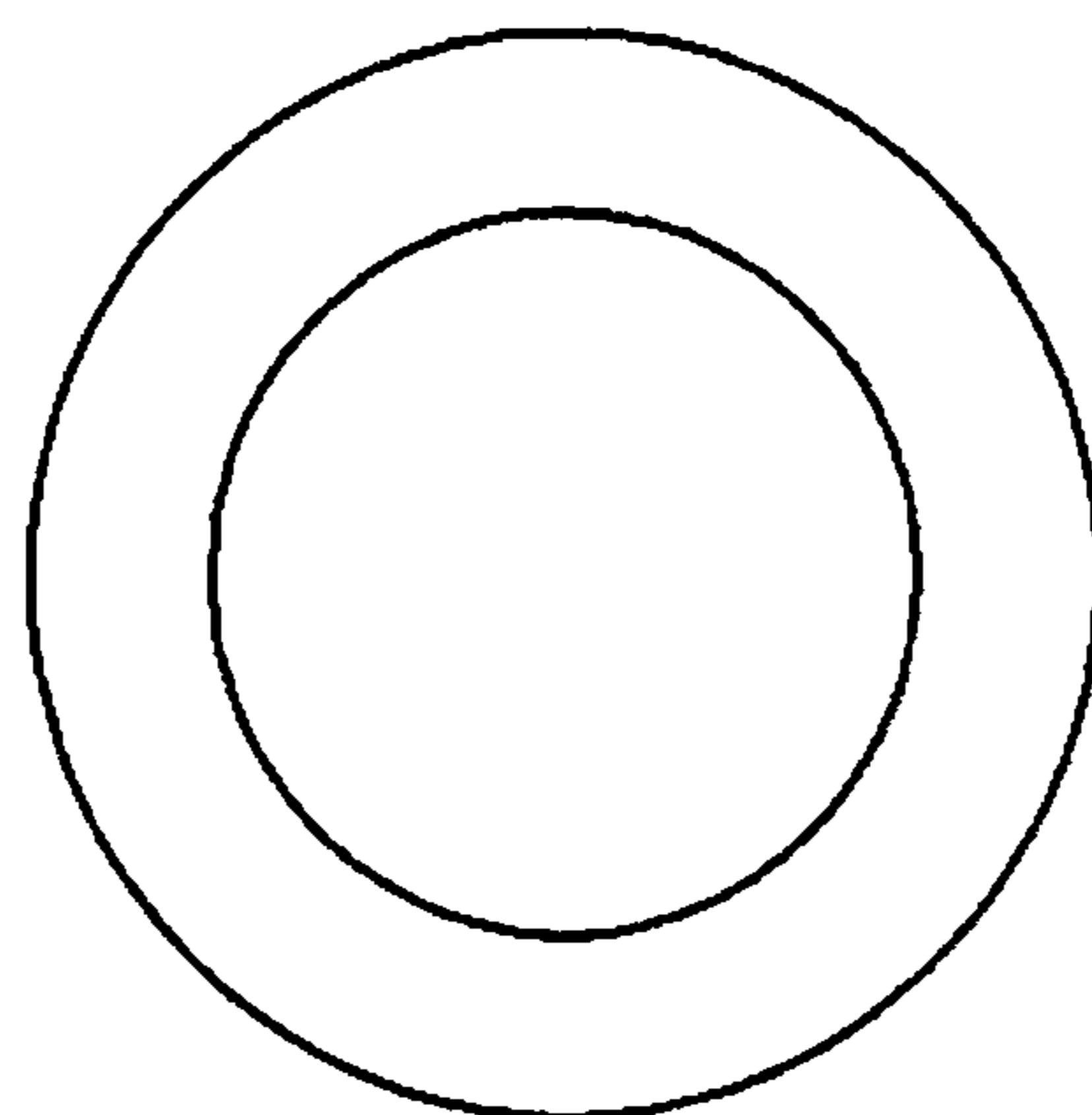


FIG. 7

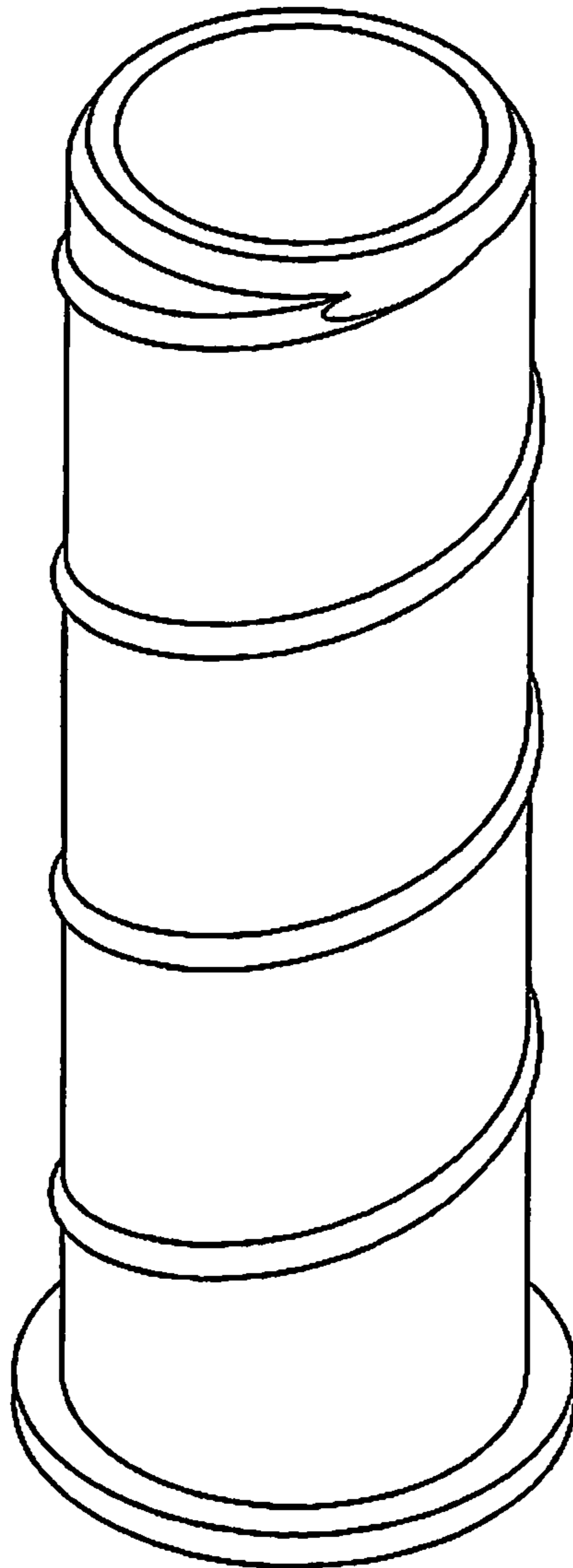


FIG. 8

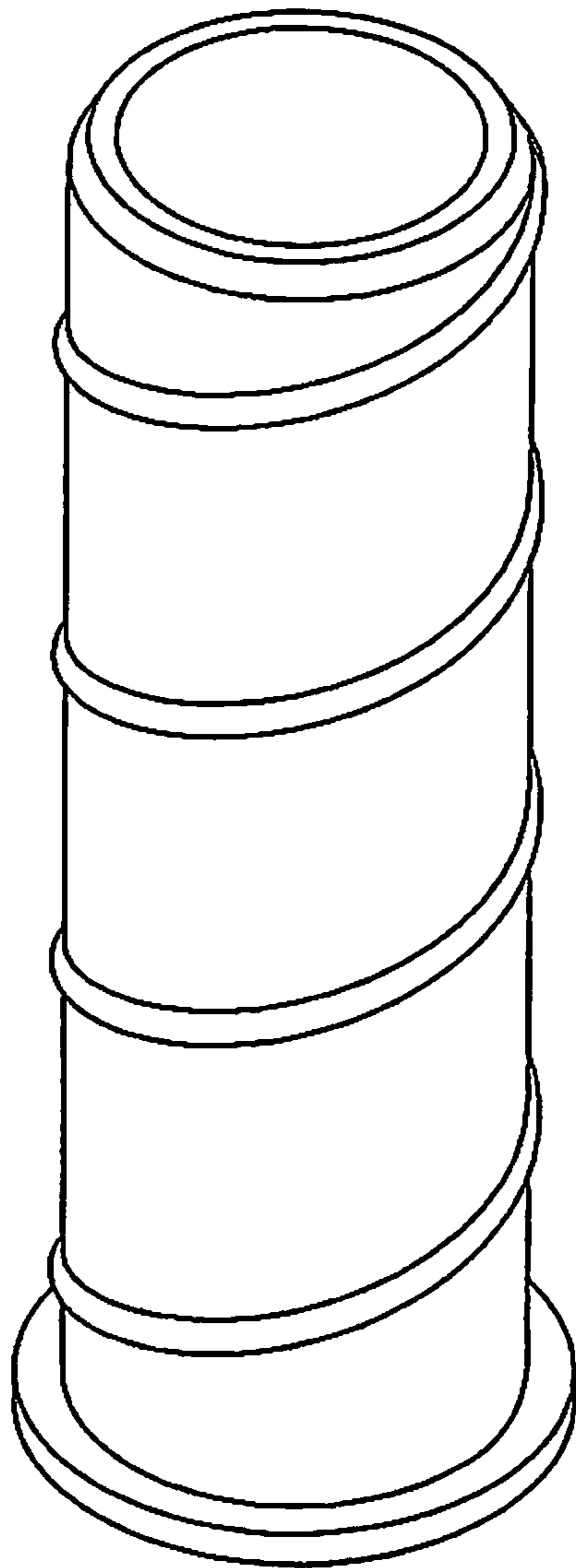


FIG. 9

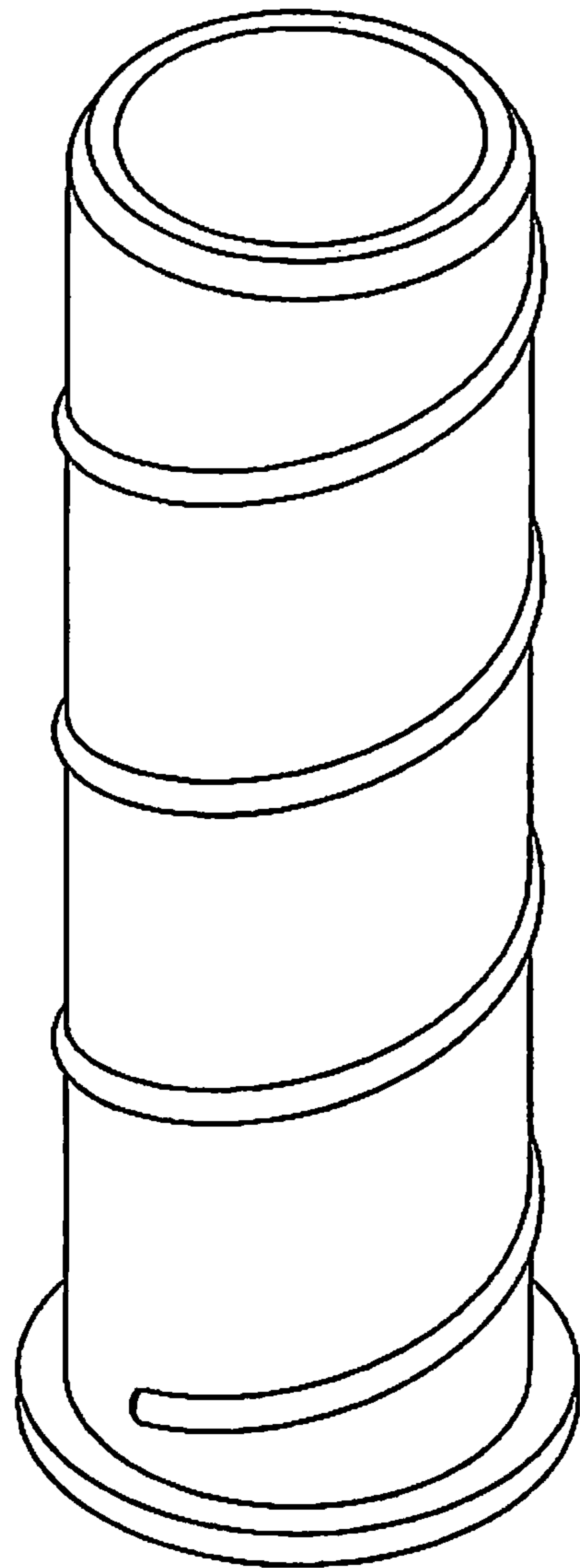


FIG. 10

