



US00D719373S

(12) **United States Design Patent**
Hawry et al.

(10) **Patent No.:** **US D719,373 S**

(45) **Date of Patent:** **** Dec. 16, 2014**

(54) **DISPOSABLE TOWELETTE DISPENSER**

(74) *Attorney, Agent, or Firm* — Adam K. Sacharoff; Much Shelist

(71) Applicant: **Berlin Packaging, LLC**, Chicago, IL (US)

(72) Inventors: **Liam Hawry**, Chicago, IL (US);
Andrew Sanguinet, Oak Park, IL (US);
Brett Niggel, St. Corry, PA (US); **Scott Jost**, Glen Ellyn, IL (US)

(57) **CLAIM**
The ornamental design for a disposable towelette dispenser, as shown and described.

(73) Assignee: **Berlin Packaging, LLC**, Chicago, IL (US)

DESCRIPTION

(**) Term: **14 Years**

(21) Appl. No.: **29/443,317**

(22) Filed: **Jan. 16, 2013**

(51) **LOC (10) Cl.** **20-02**

(52) **U.S. Cl.**
USPC **D6/518**

(58) **Field of Classification Search**
USPC D6/515, 518; D34/10; 206/390, 397,
206/409, 303; 220/908, 909, 403, 404, 407;
53/549, 567, 576; D7/354, 357, 677,
D7/359

See application file for complete search history.

FIG. 1 is a front-top perspective view of a disposable towelette dispenser showing our new design in an opened configuration;
FIG. 2 is a left-front perspective view of FIG. 1;
FIG. 3 is a bottom-side perspective view of FIG. 1;
FIG. 4 is a back-side perspective view of FIG. 1;
FIG. 5 is a front side view of FIG. 1;
FIG. 6 is a back side view of FIG. 1;
FIG. 7 is a left side view of FIG. 1;
FIG. 8 is a right side view of FIG. 1;
FIG. 9 is a top side view of FIG. 1;
FIG. 10 is a bottom side view of FIG. 1;
FIG. 11 is an additional front-top perspective view thereof, shown in a closed configuration;
FIG. 12 is a front-right perspective view of FIG. 11;
FIG. 13 is a rear-bottom perspective view of FIG. 11;
FIG. 14 is a front-left perspective view of FIG. 11;
FIG. 15 is a front side view of FIG. 11;
FIG. 16 is a back side view of FIG. 11;
FIG. 17 is a left side view of FIG. 11;
FIG. 18 is a right side view of FIG. 11;
FIG. 19 is a top side view of FIG. 11; and,
FIG. 20 is a bottom side view of FIG. 11.
The broken-line disclosure in the views represents portions of the dispenser which form no part of the claimed design.

(56) **References Cited**

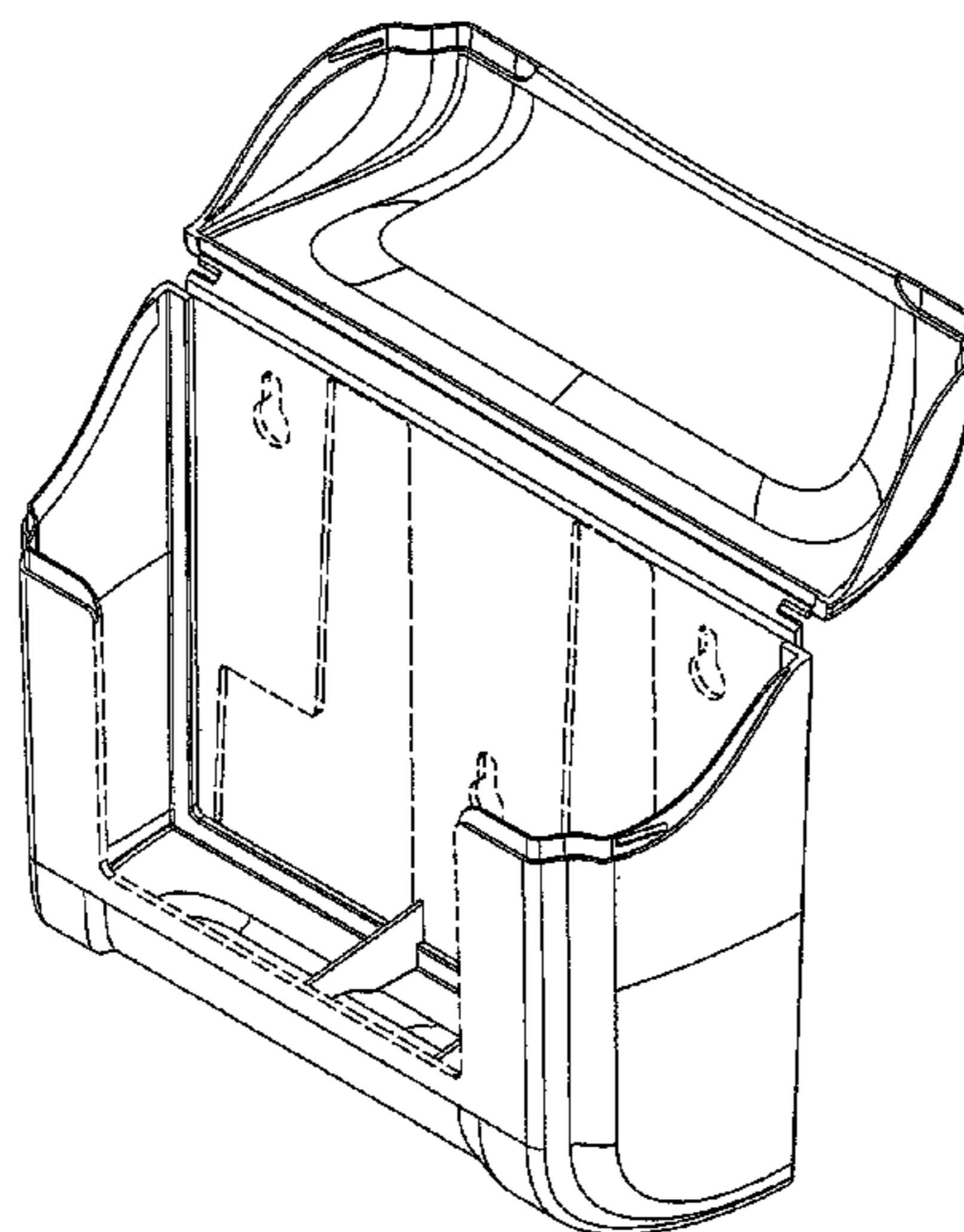
U.S. PATENT DOCUMENTS

D205,087 S *	6/1966	Vanderhyde	D6/518
D647,340 S *	10/2011	Stephens	D6/518
D671,345 S *	11/2012	Rich	D6/518
D676,266 S *	2/2013	Reitze	D6/518
D677,085 S *	3/2013	Velazquez et al.	D6/518
D690,126 S *	9/2013	Ogawa	D6/518
D695,542 S *	12/2013	Niada	D6/518
D704,951 S *	5/2014	Coleman	D6/518

* cited by examiner

Primary Examiner — Brian N Vinson

1 Claim, 20 Drawing Sheets



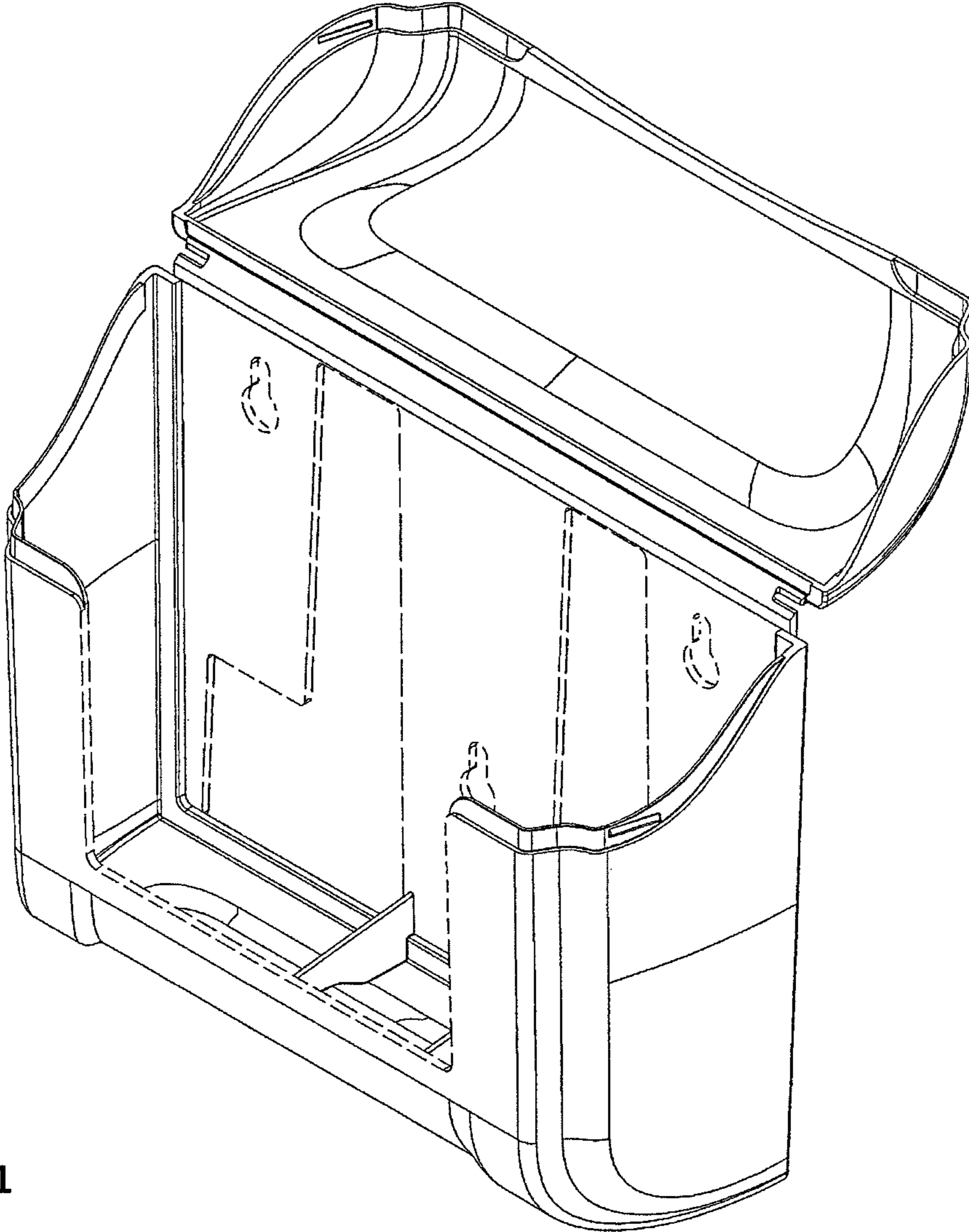


FIGURE 1

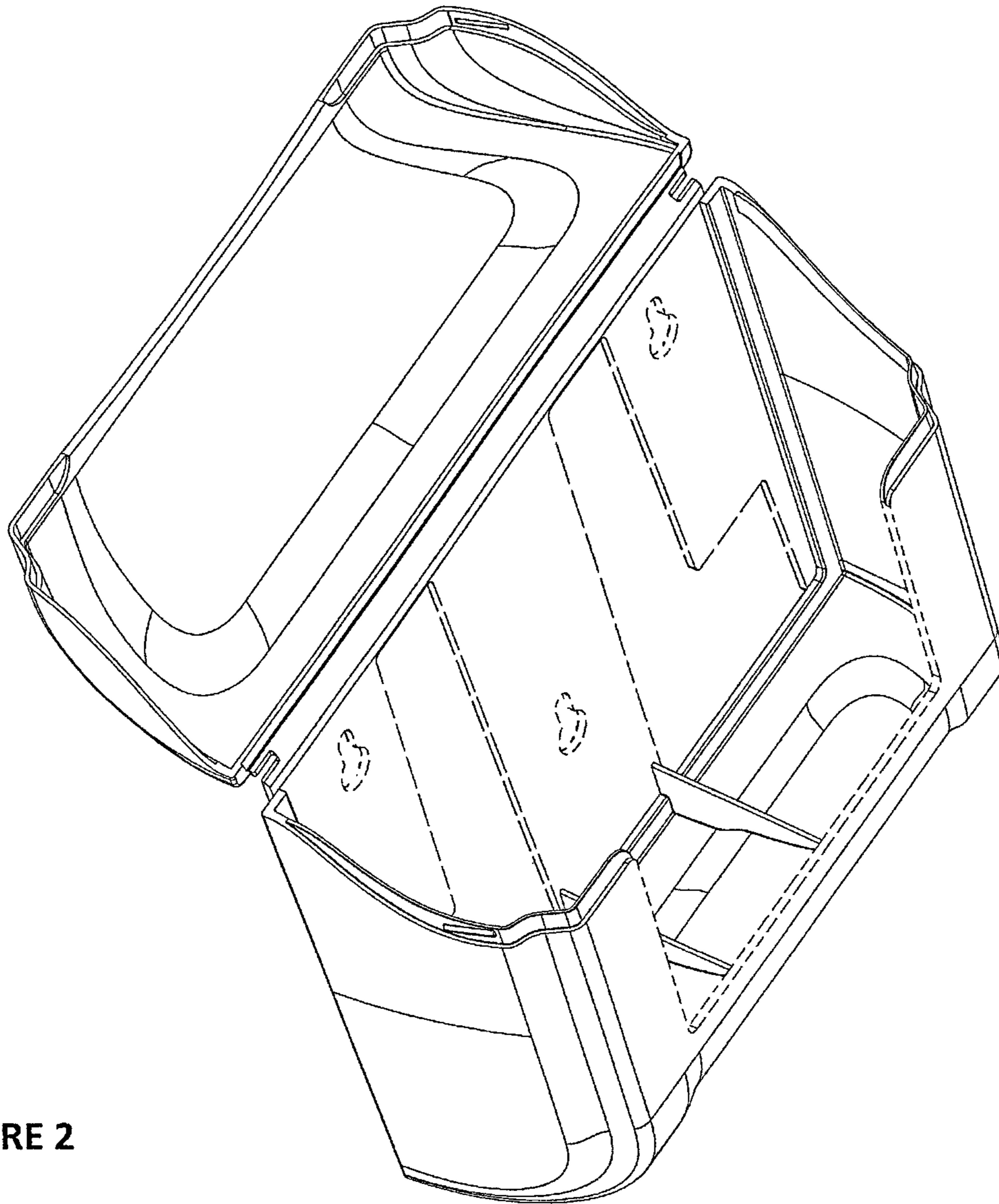


FIGURE 2

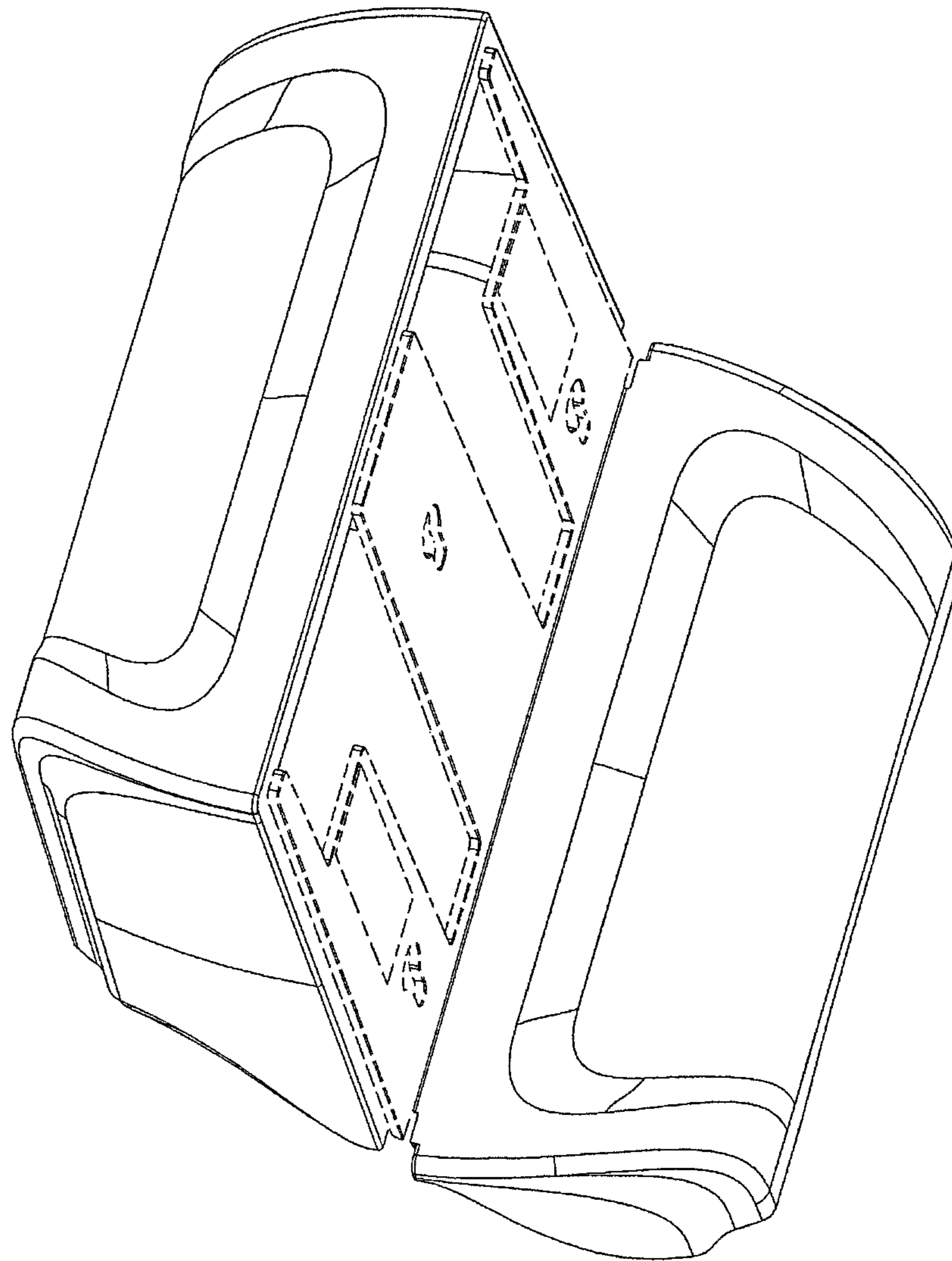


FIGURE 3

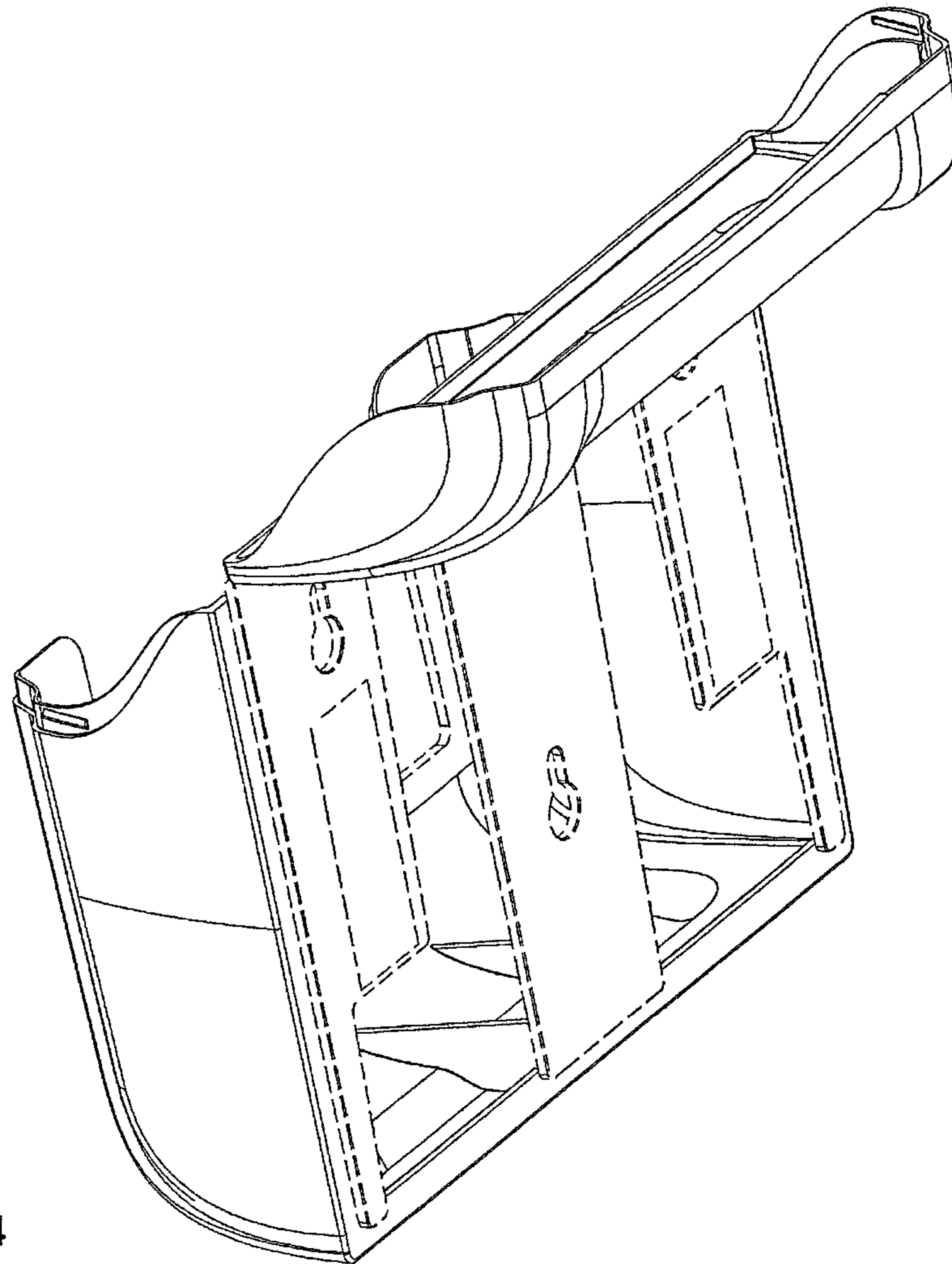


FIGURE 4

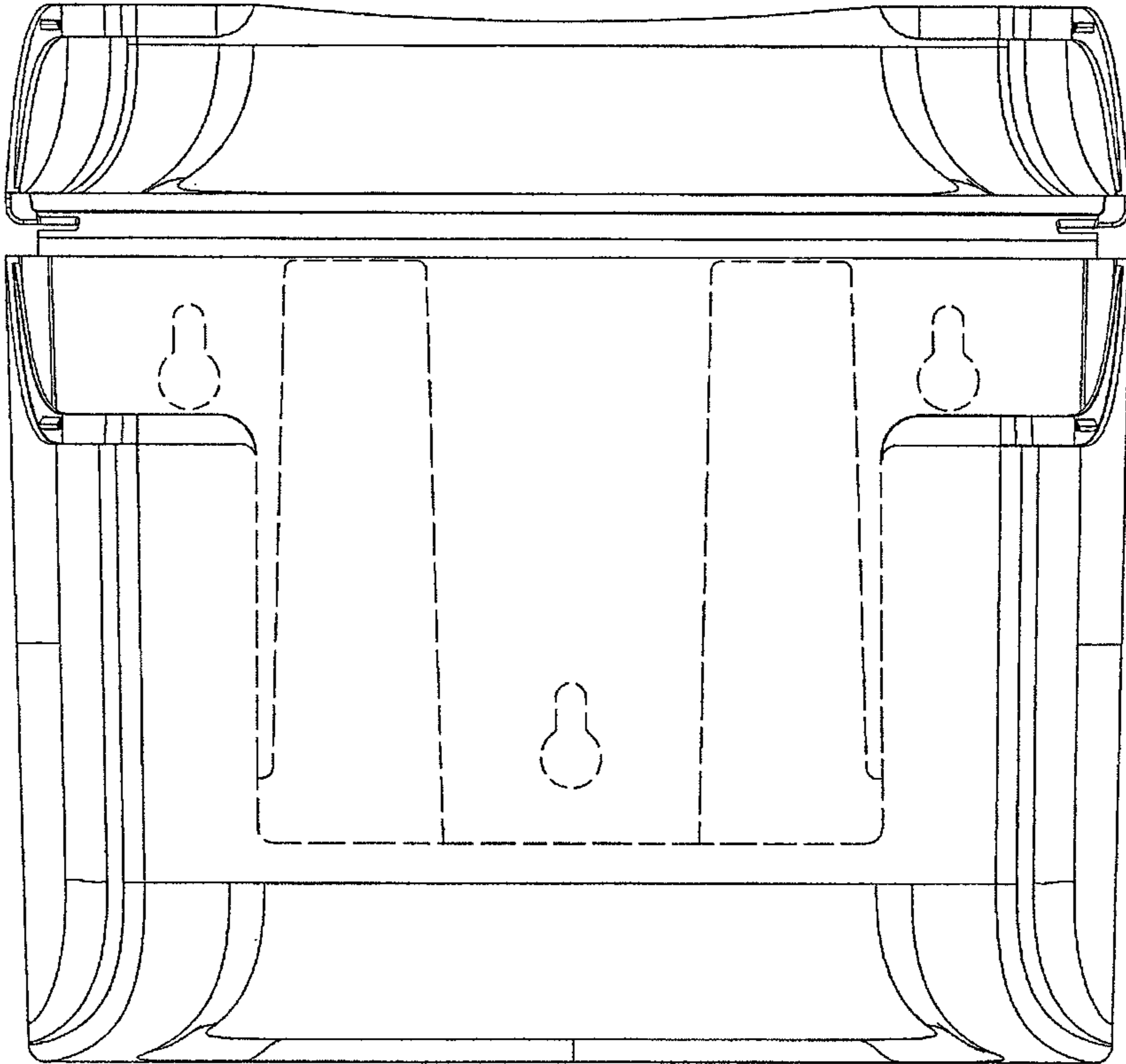


FIGURE 5

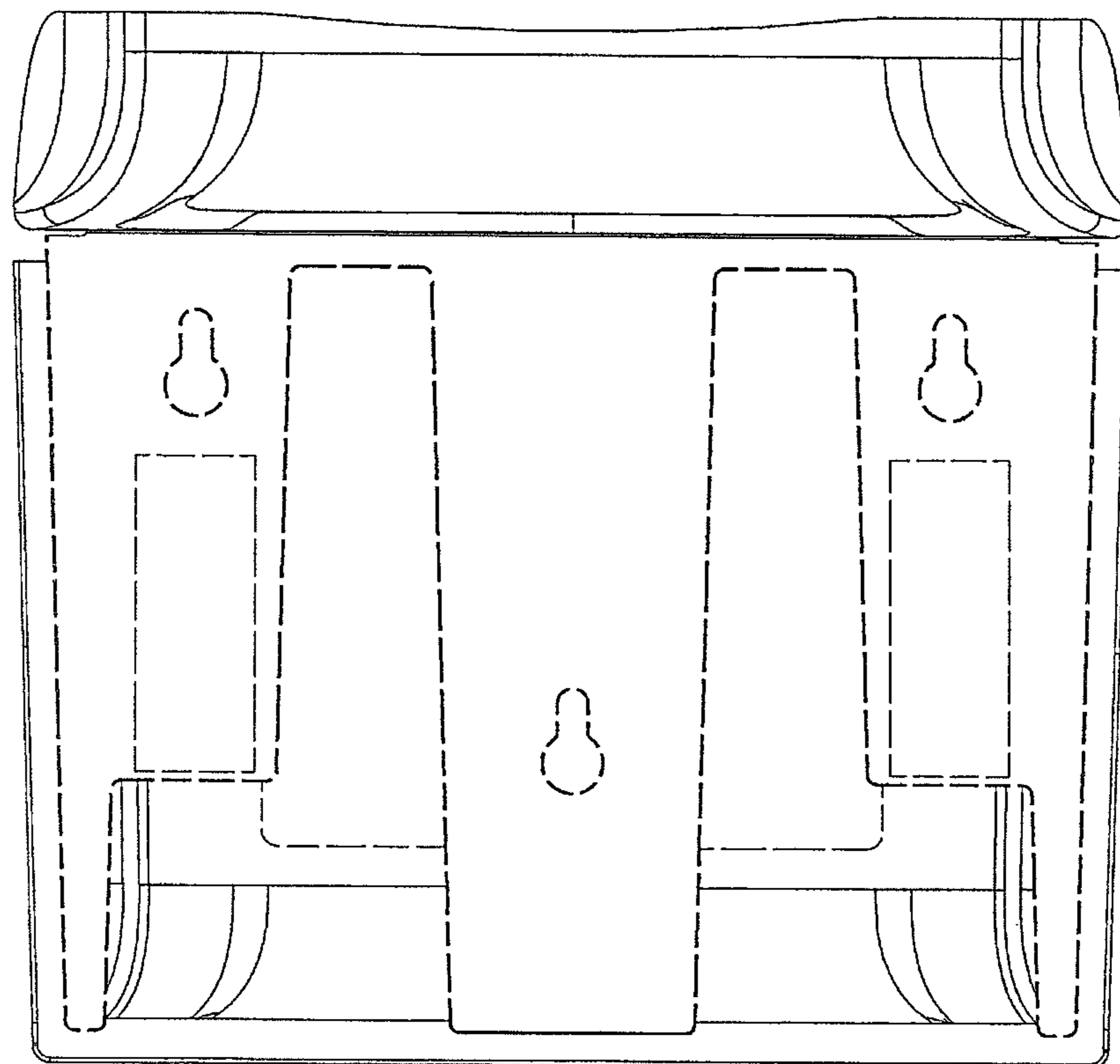


FIGURE 6

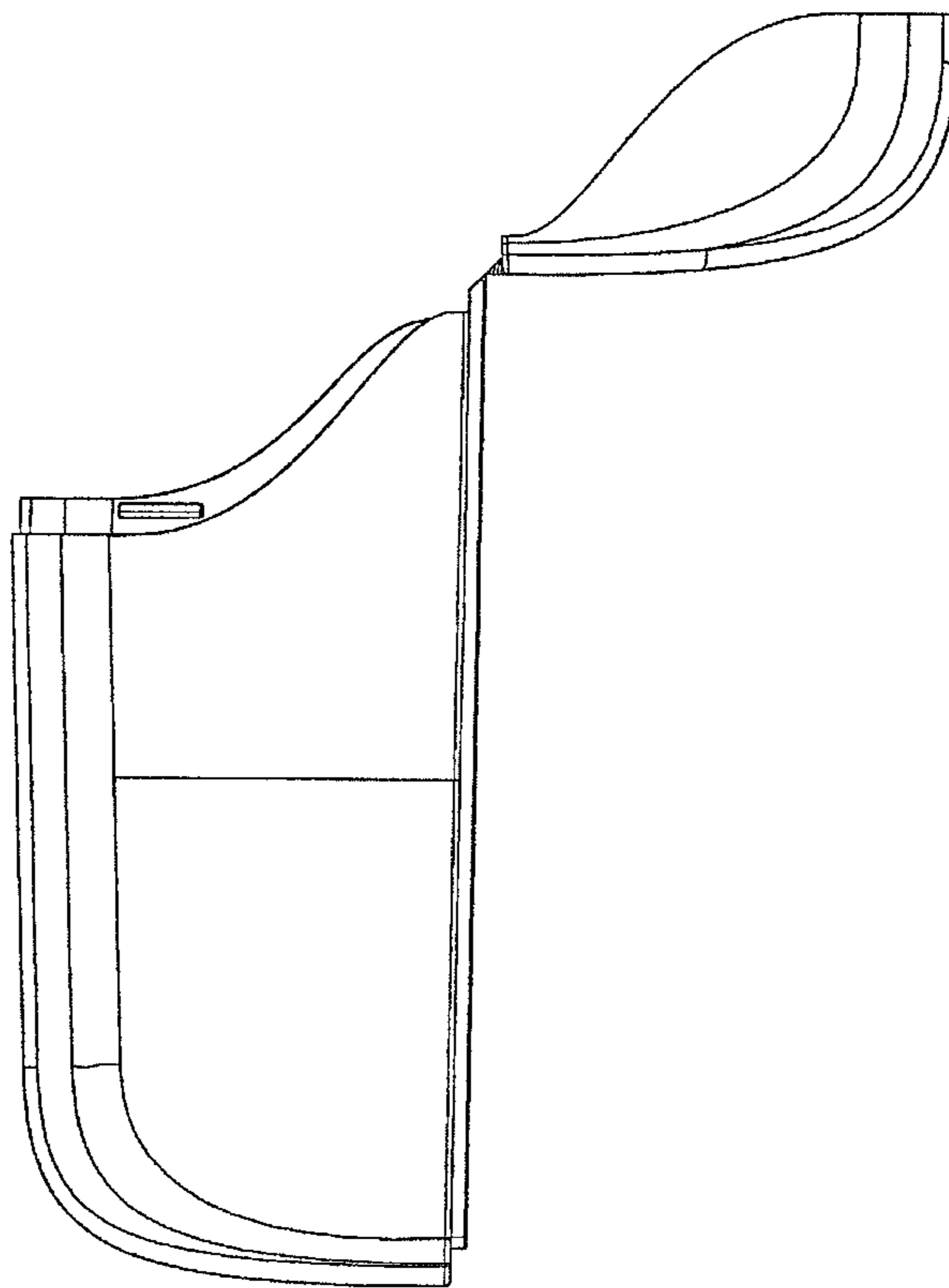


FIGURE 7

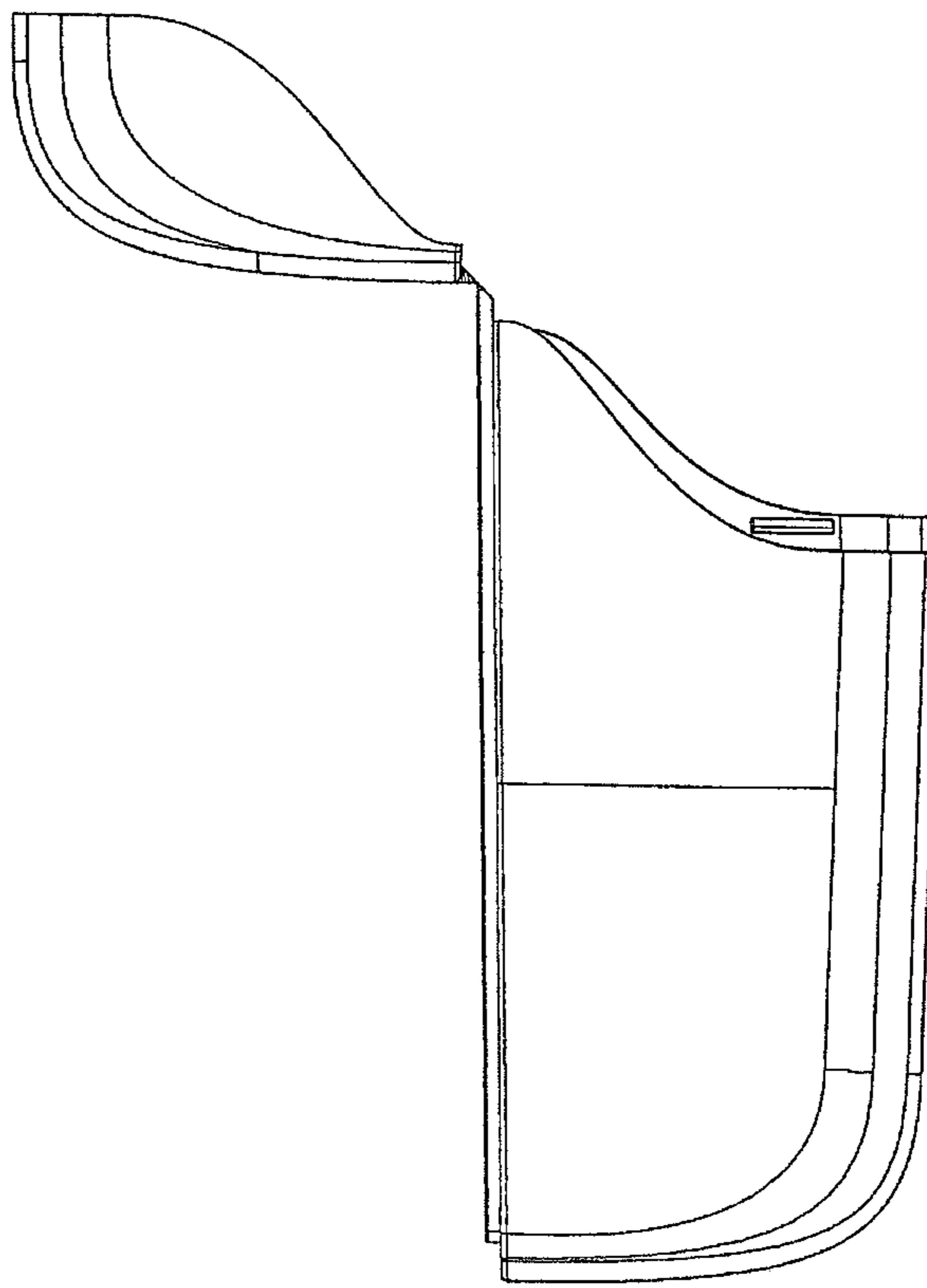


FIGURE 8

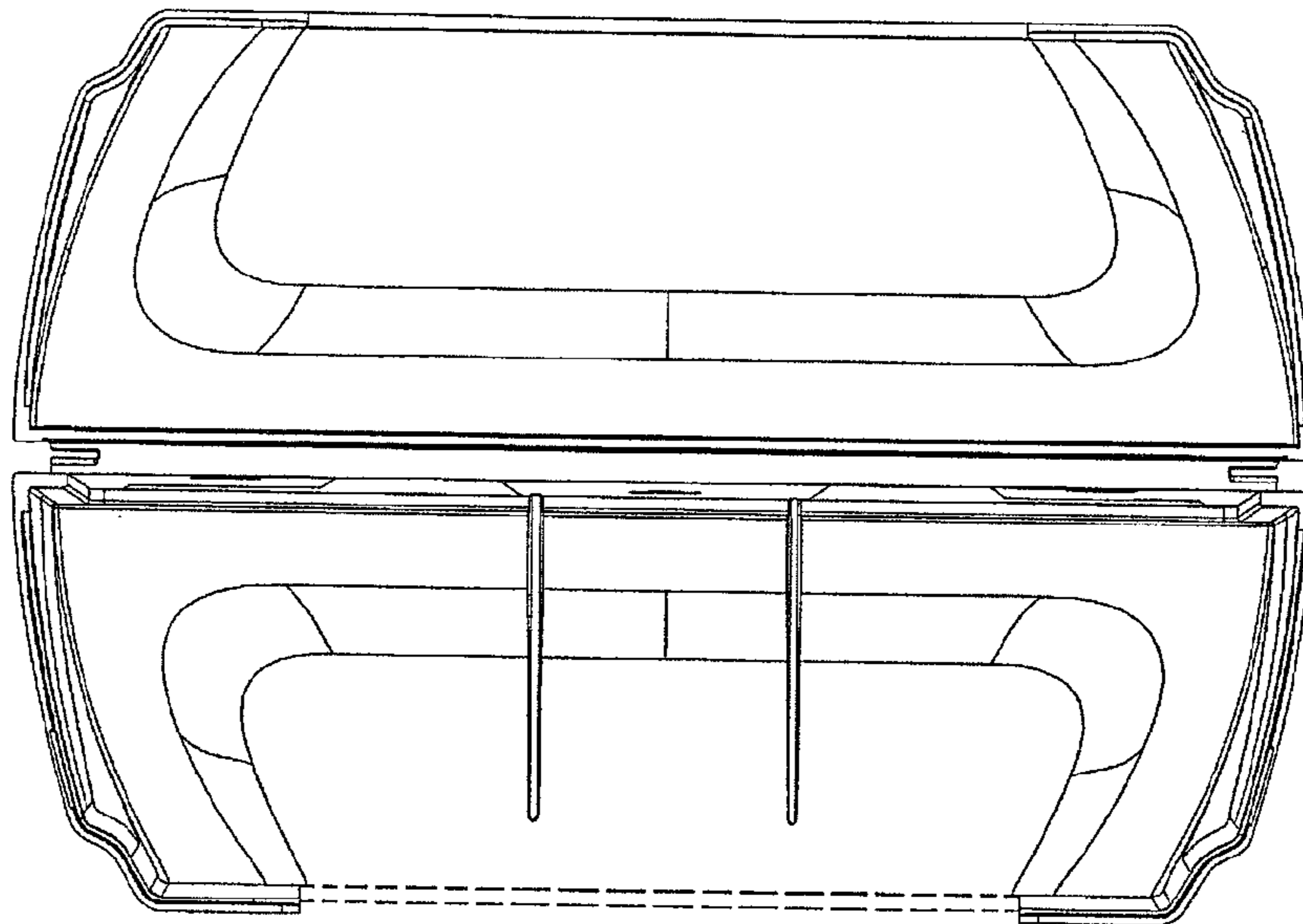


FIGURE 9

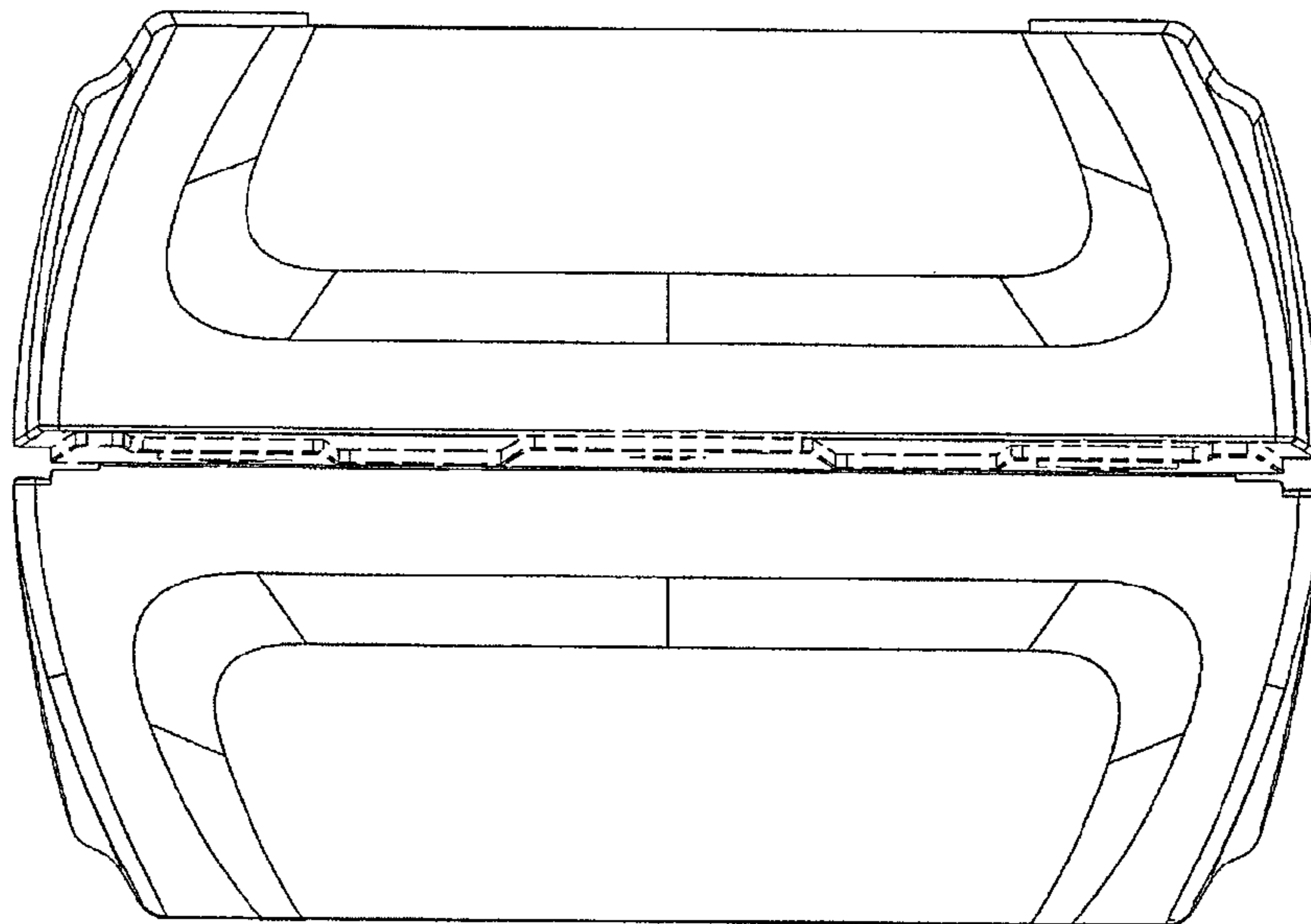


FIGURE 10

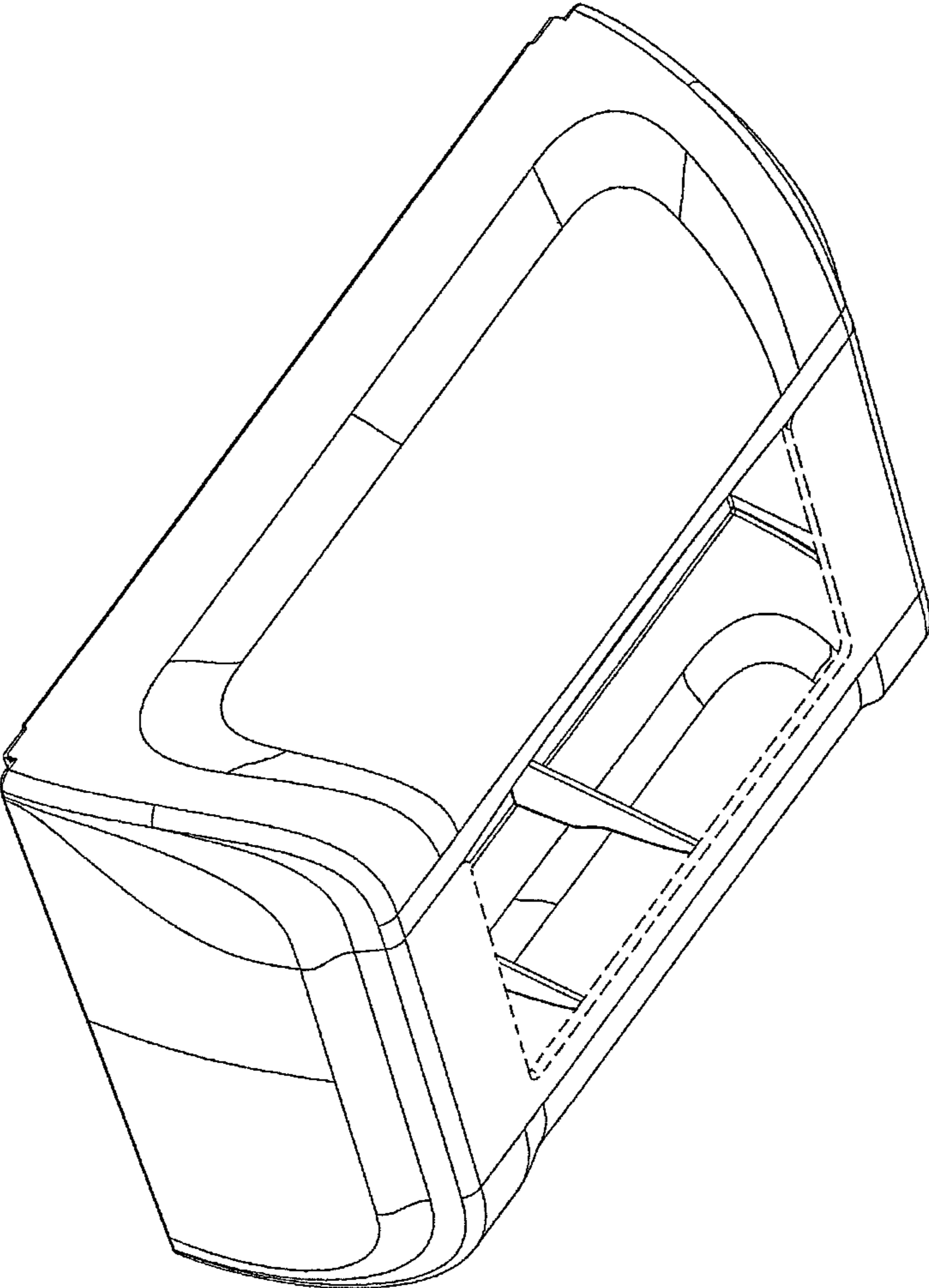


FIGURE 11

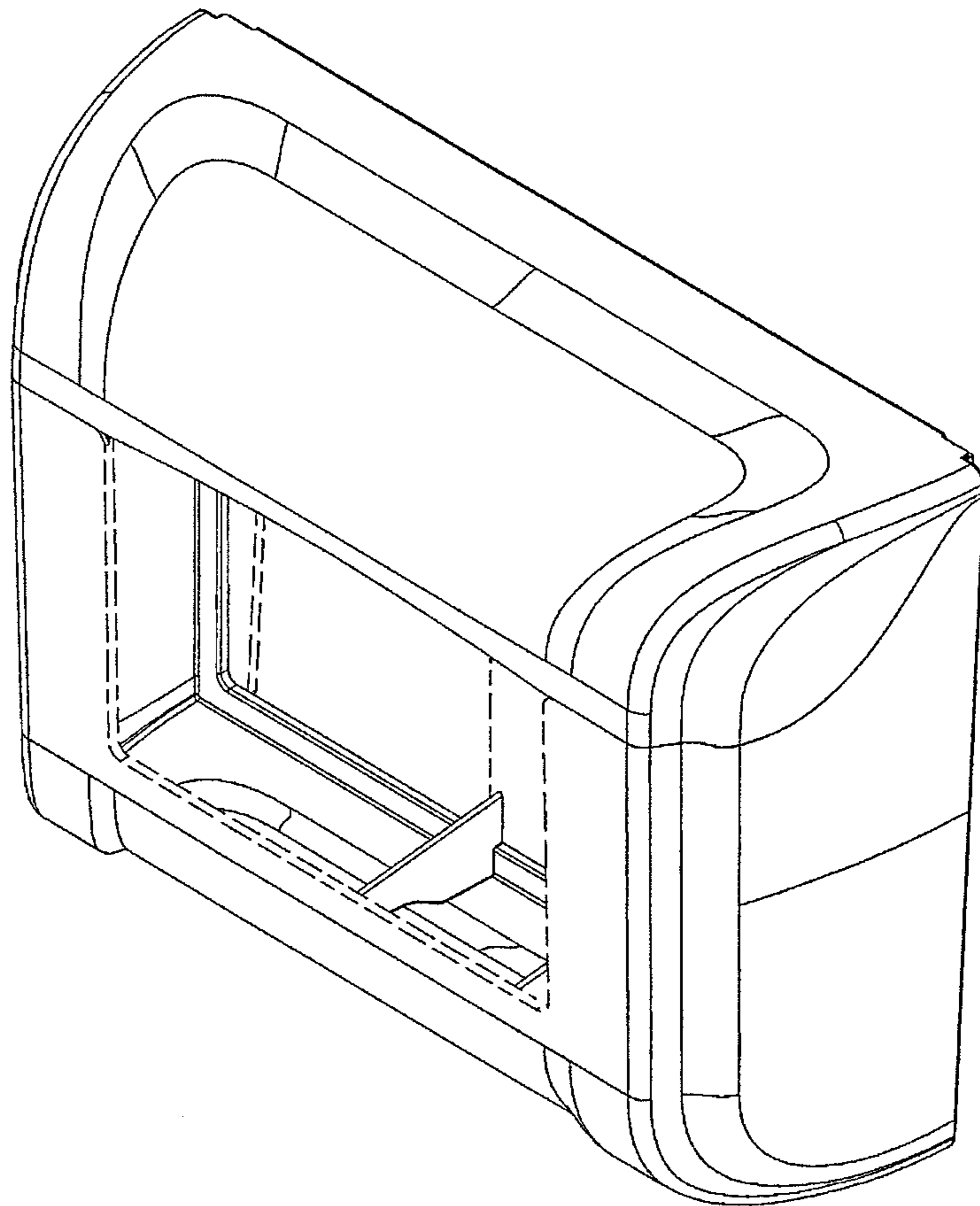


FIGURE 12

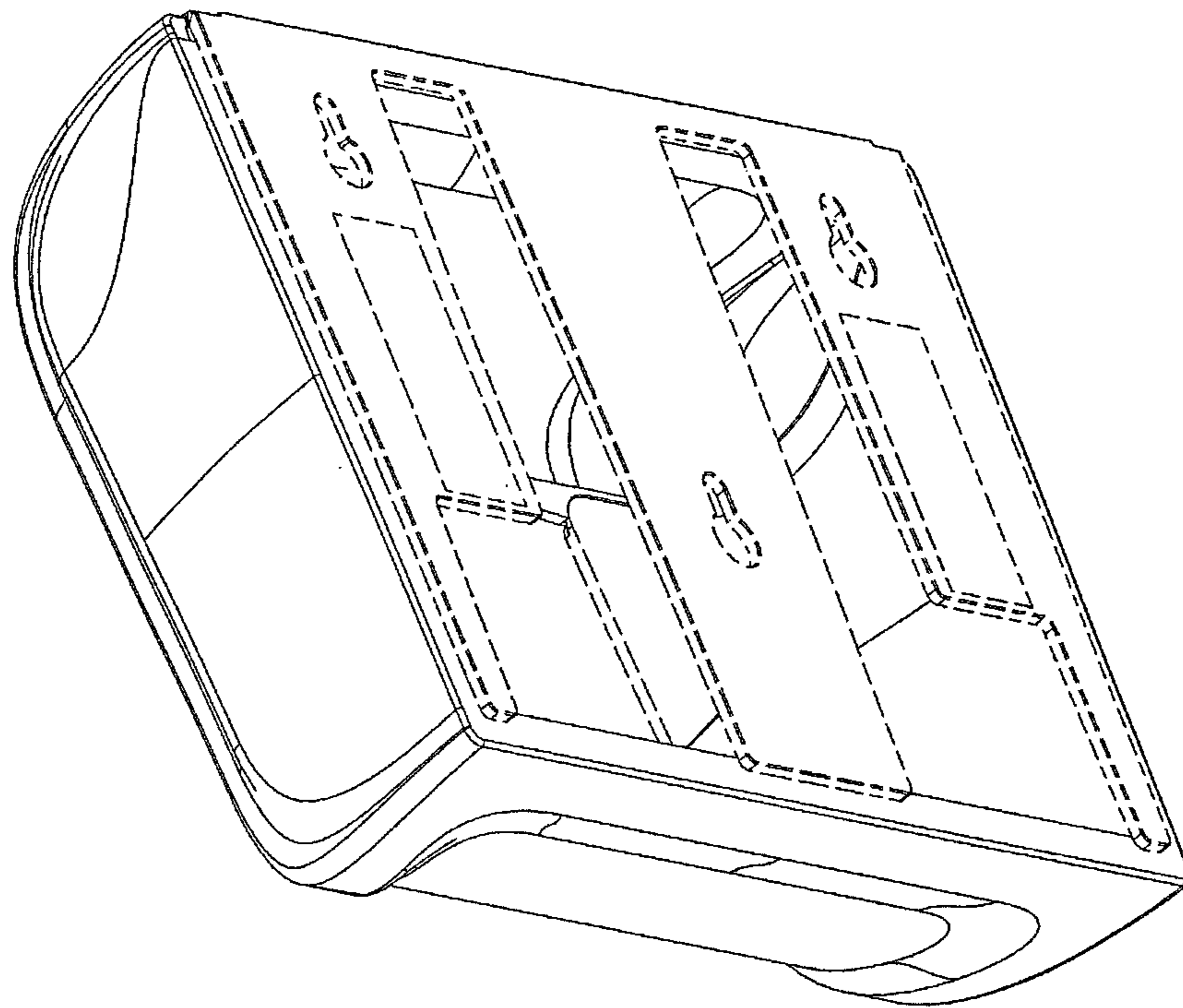


FIGURE 13

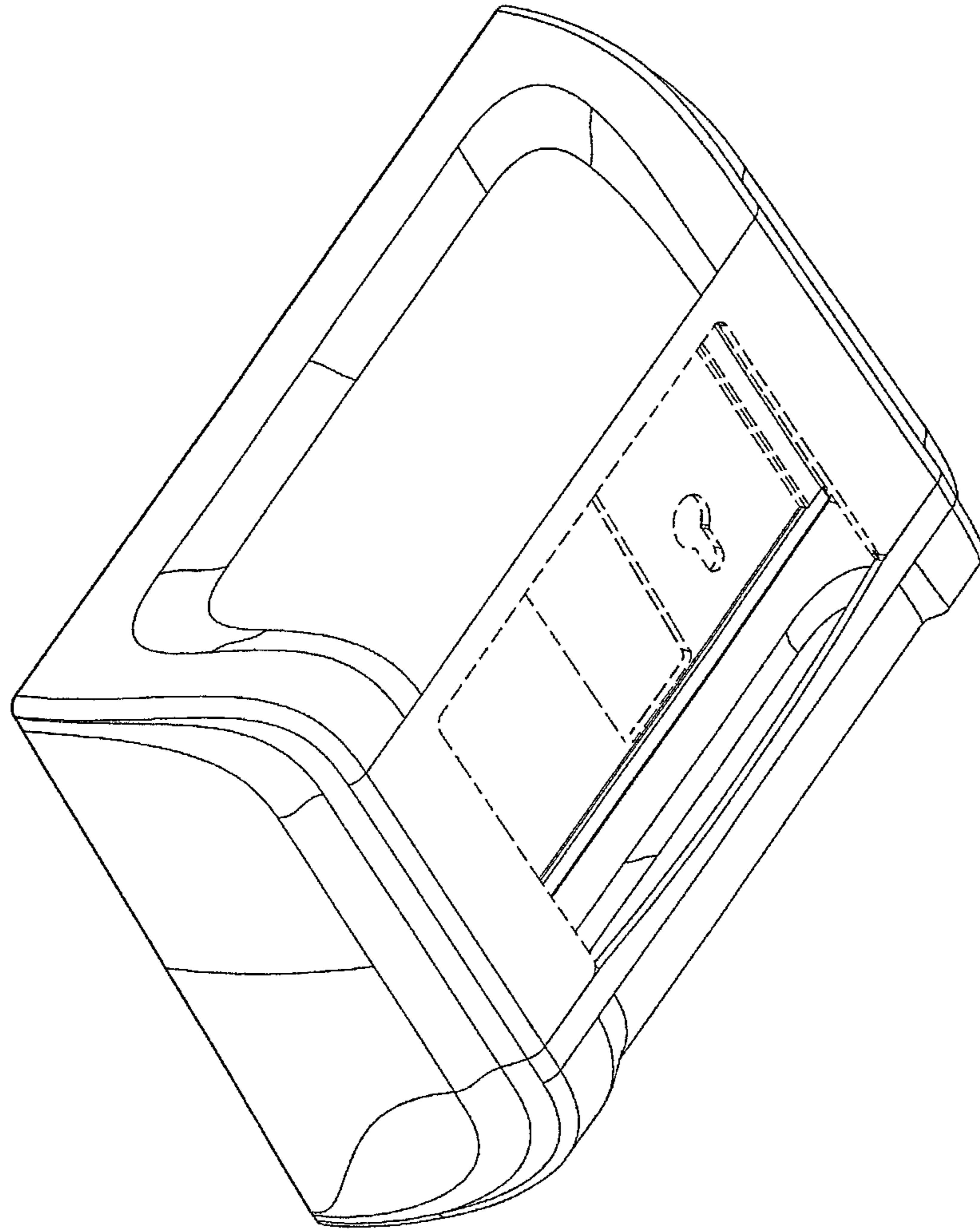


FIGURE 14

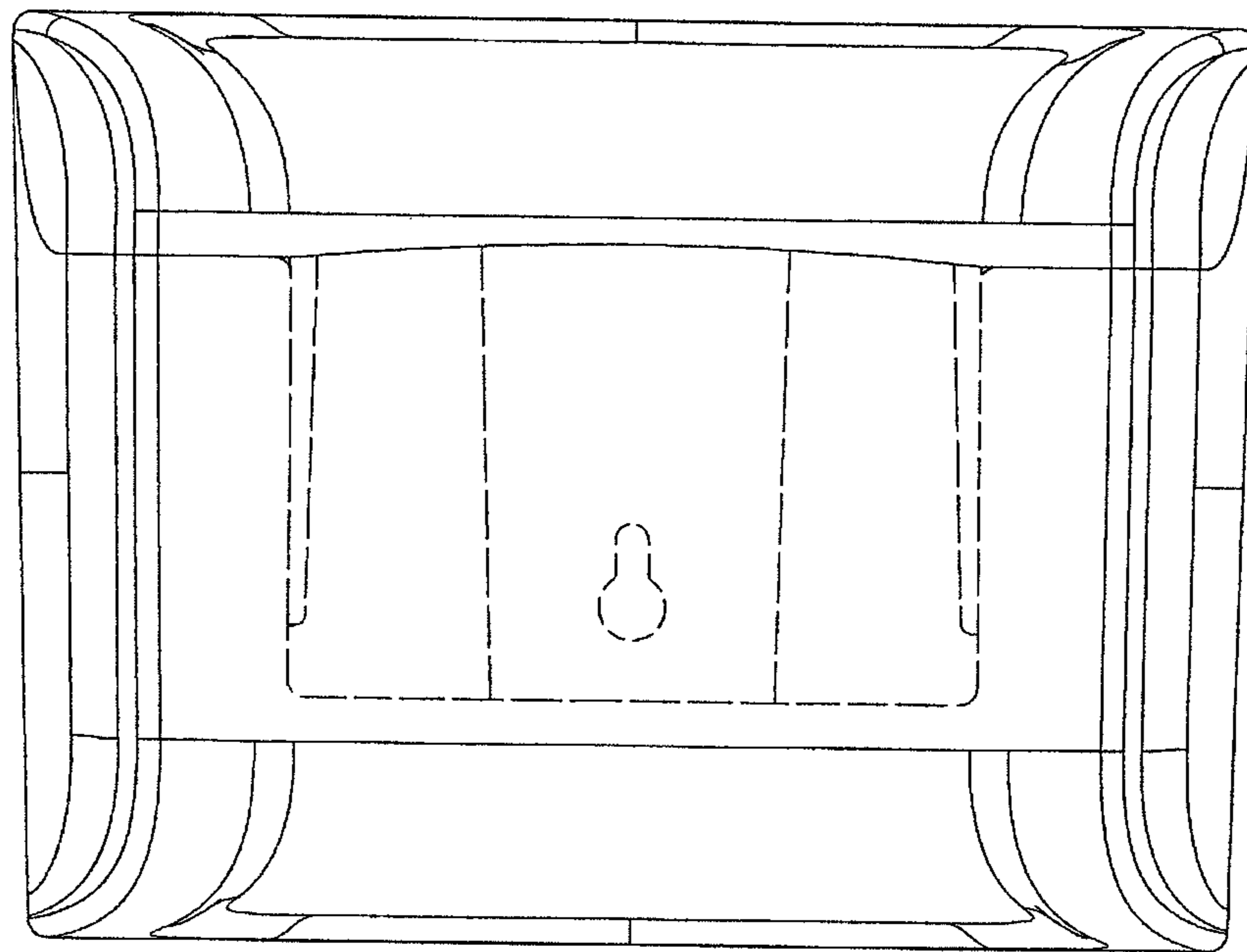


FIGURE 15

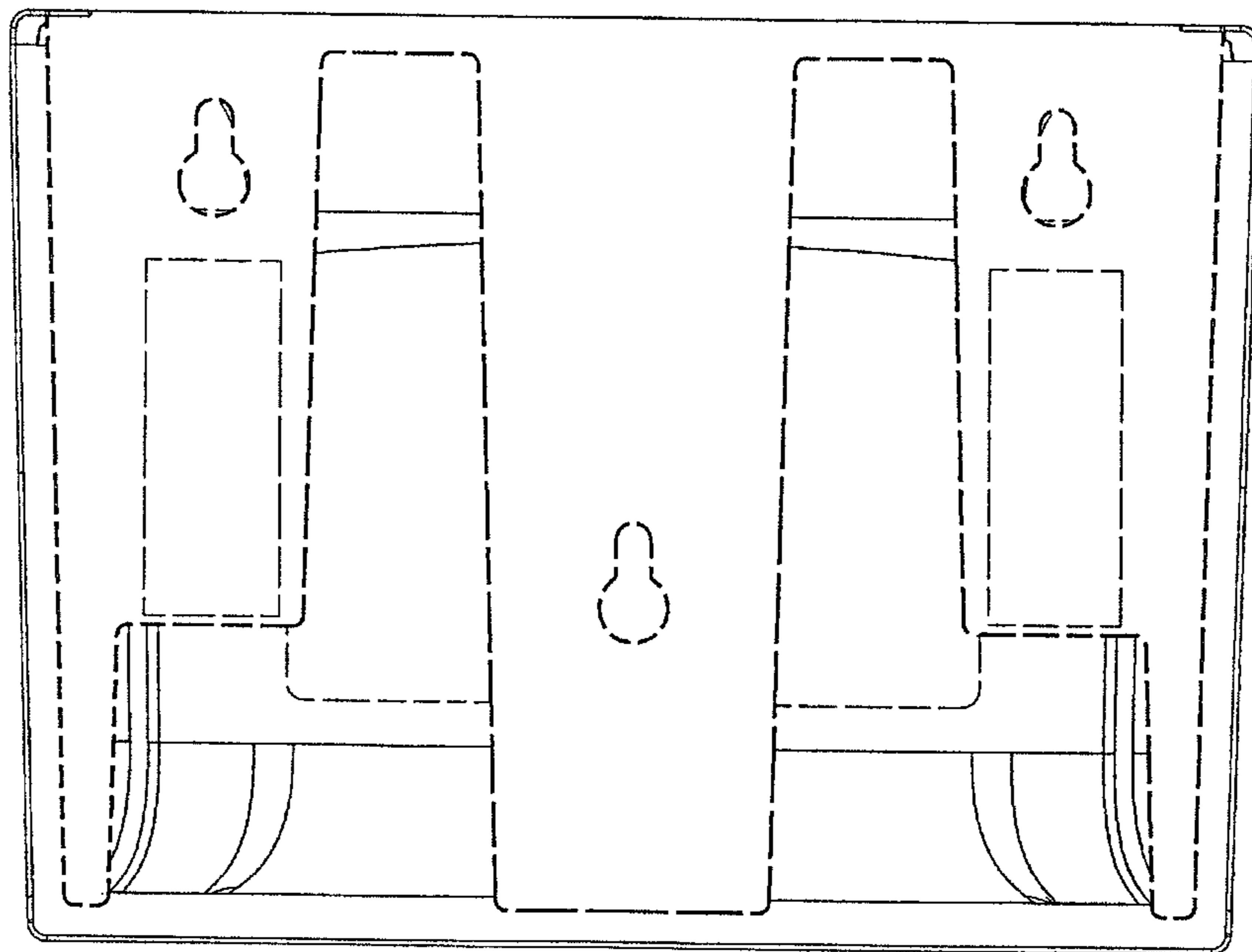


FIGURE 16

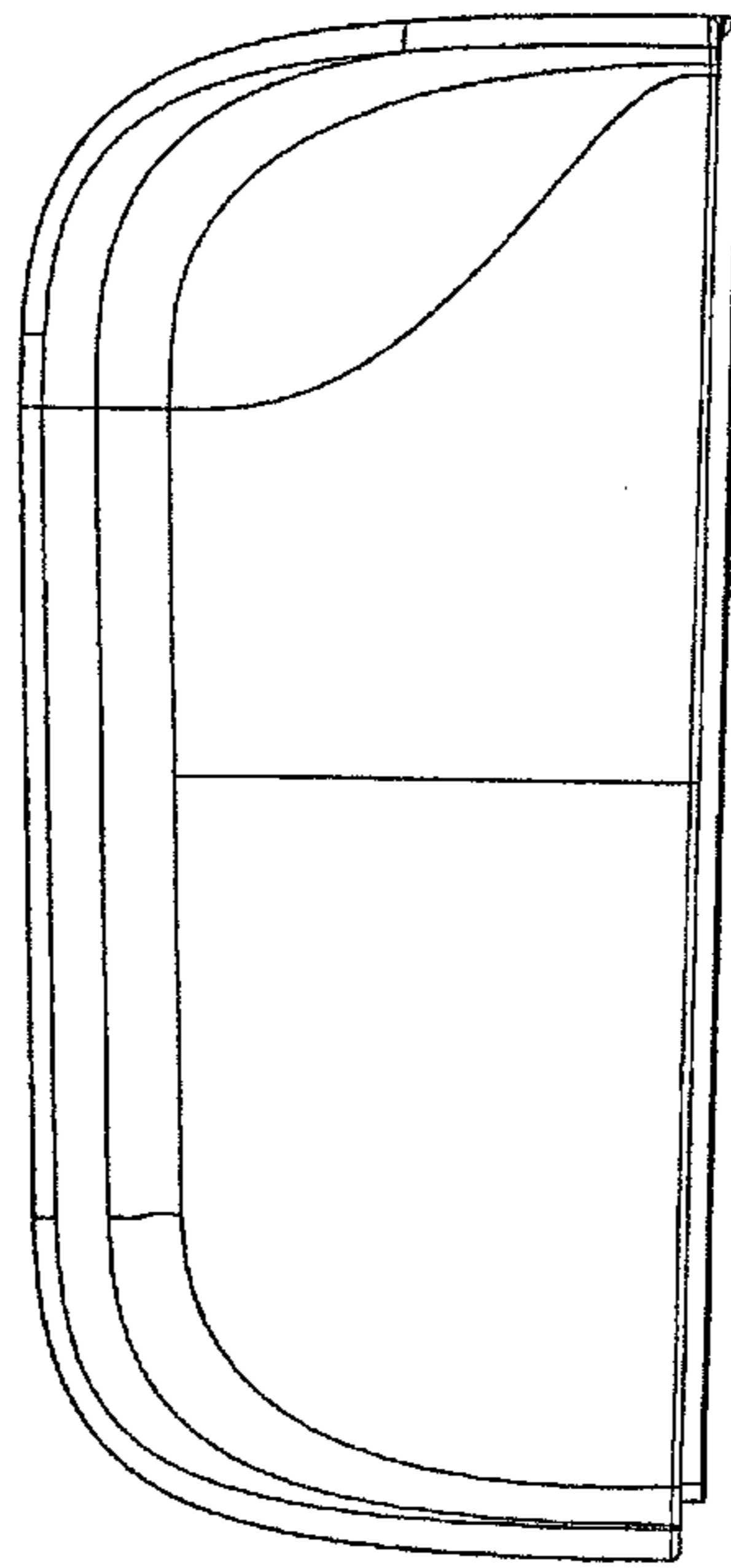


FIGURE 17

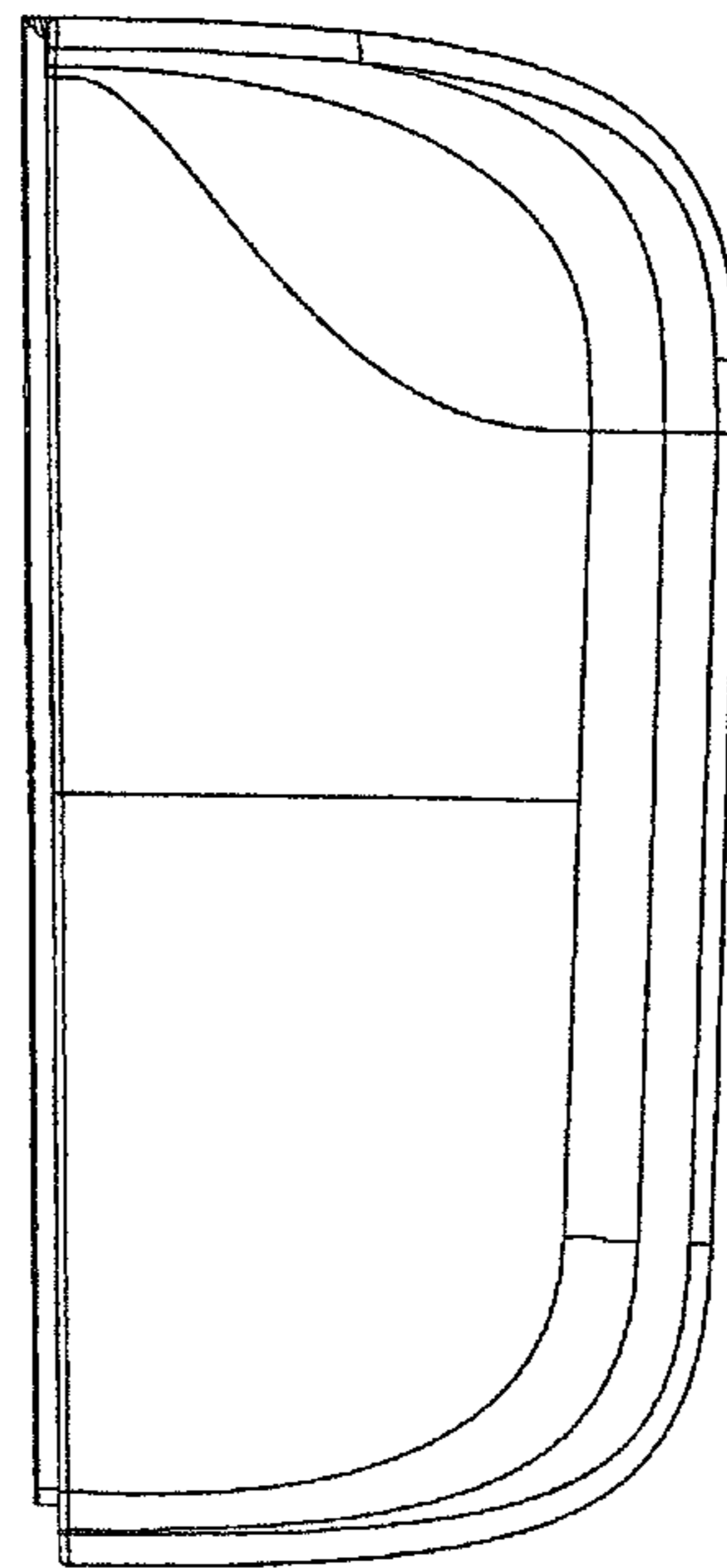


FIGURE 18

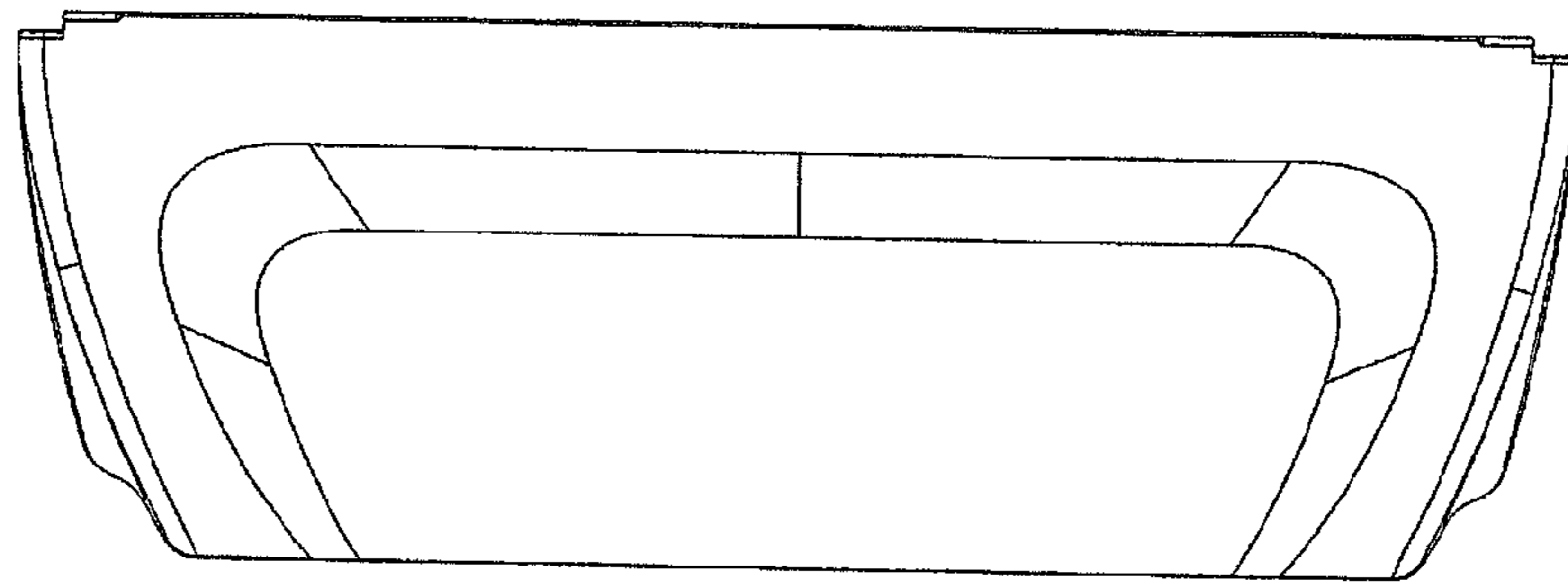


FIGURE 19

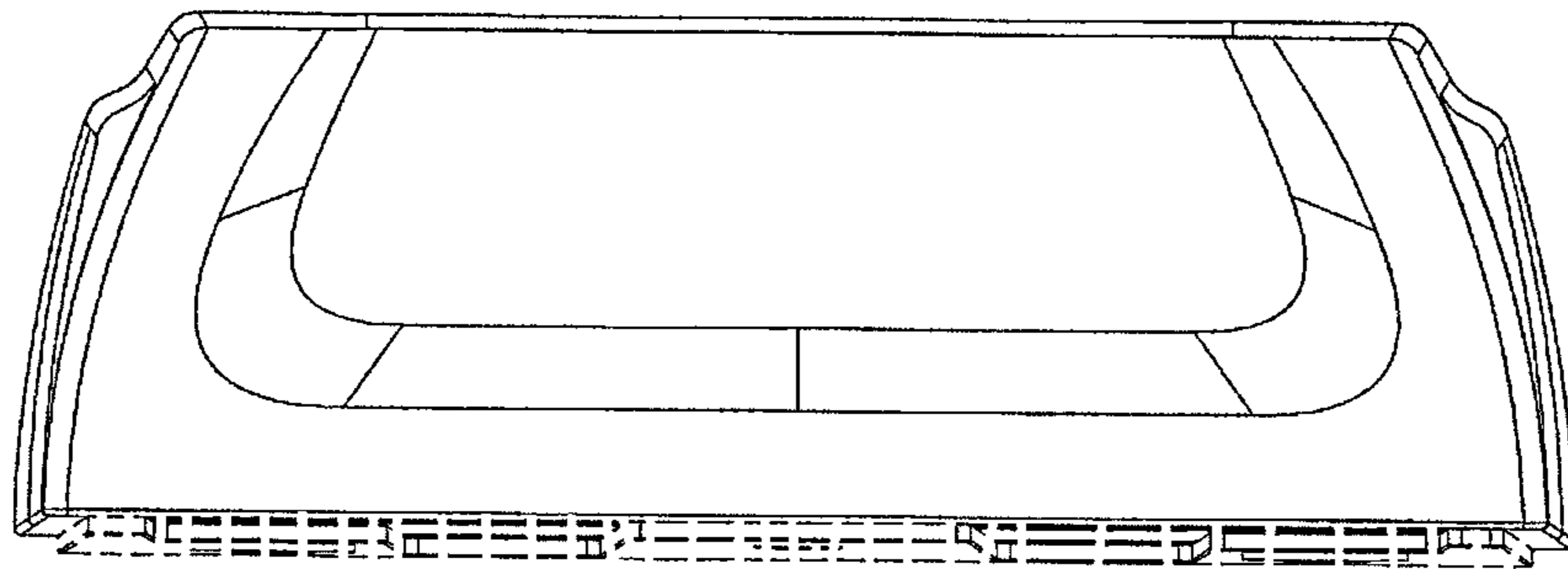


FIGURE 20