

US00D719371S

(12) **United States Design Patent**
Cute

(10) **Patent No.:** **US D719,371 S**
(45) **Date of Patent:** **** Dec. 16, 2014**

(54) **HANGER**

(71) Applicant: **Sun Hill Industries, Inc.**, Fairfield, CT (US)

(72) Inventor: **Joseph E. Cute**, Geneva, IL (US)

(73) Assignee: **Sun Hill Industries**, Fairfield, CT (US)

(**) Term: **14 Years**

(21) Appl. No.: **29/494,809**

(22) Filed: **Jun. 24, 2014**

(51) **LOC (10) Cl.** **11-02**

(52) **U.S. Cl.**
USPC **D6/403**

(58) **Field of Classification Search**
CPC A47G 7/042; A47G 7/02; A47G 7/044;
A47G 7/041
USPC D6/403-405, 556-558, 681.1;
D11/143-156, 164, 182; D26/19-11,
D26/55, 87; 47/17, 18, 32.7, 33, 39, 41.01,
47/41.11-41.15, 65, 65.5, 66.1, 66.6, 66.7,
47/67-71

See application file for complete search history.

(56) **References Cited**

U.S. PATENT DOCUMENTS

1,406,893	A *	2/1922	Randall	248/146
D86,044	S *	1/1932	Newton	D6/449
D88,581	S *	12/1932	Scott et al.	D6/403
2,584,782	A *	2/1952	Beckman	119/77
3,145,692	A *	8/1964	Litwiller	119/753
D204,042	S *	3/1966	Stix	D6/466
D204,043	S *	3/1966	Italiano	D6/462
D230,109	S *	1/1974	Gass	D6/499
D235,467	S *	6/1975	Wilkie	D26/9

D244,407	S *	5/1977	Gass	D6/403
D257,704	S *	12/1980	Gabr	D26/106
D258,252	S *	2/1981	Gass	D6/462
D290,558	S *	6/1987	Zorrilla	D7/601
D335,401	S *	5/1993	Nations	D6/462
D338,356	S *	8/1993	Savale	D6/462
D382,677	S *	8/1997	Muir	D30/133
D385,751	S *	11/1997	Hollinger	D7/601
D466,656	S *	12/2002	Kuelbs et al.	D30/133
D524,111	S *	7/2006	Goodman et al.	D7/601
7,380,880	B2 *	6/2008	Molen	297/273
D630,451	S *	1/2011	Cute	D6/405
D644,041	S *	8/2011	Bugio	D6/462
D692,251	S	10/2013	Cute	
D692,252	S *	10/2013	Cute	D6/404
D693,592	S *	11/2013	Cute	D6/404
2006/0112633	A1 *	6/2006	Humphrey et al.	47/66.6

* cited by examiner

Primary Examiner — Elizabeth Albert

(74) *Attorney, Agent, or Firm* — Riverside Law LLP

(57) **CLAIM**

I claim the ornamental design for a hanger, as shown and described.

DESCRIPTION

FIG. 1 is a perspective view of a hanger;
FIG. 2 is a right side view thereof;
FIG. 3 is a left side view thereof;
FIG. 4 is a front view thereof;
FIG. 5 is a rear view thereof;
FIG. 6 is a top view thereof;
FIG. 7 is a bottom view thereof; and,
FIG. 8 is another perspective view of a hanger.
The broken lines depict environmental subject matter only and form no part of the claimed design.

1 Claim, 7 Drawing Sheets

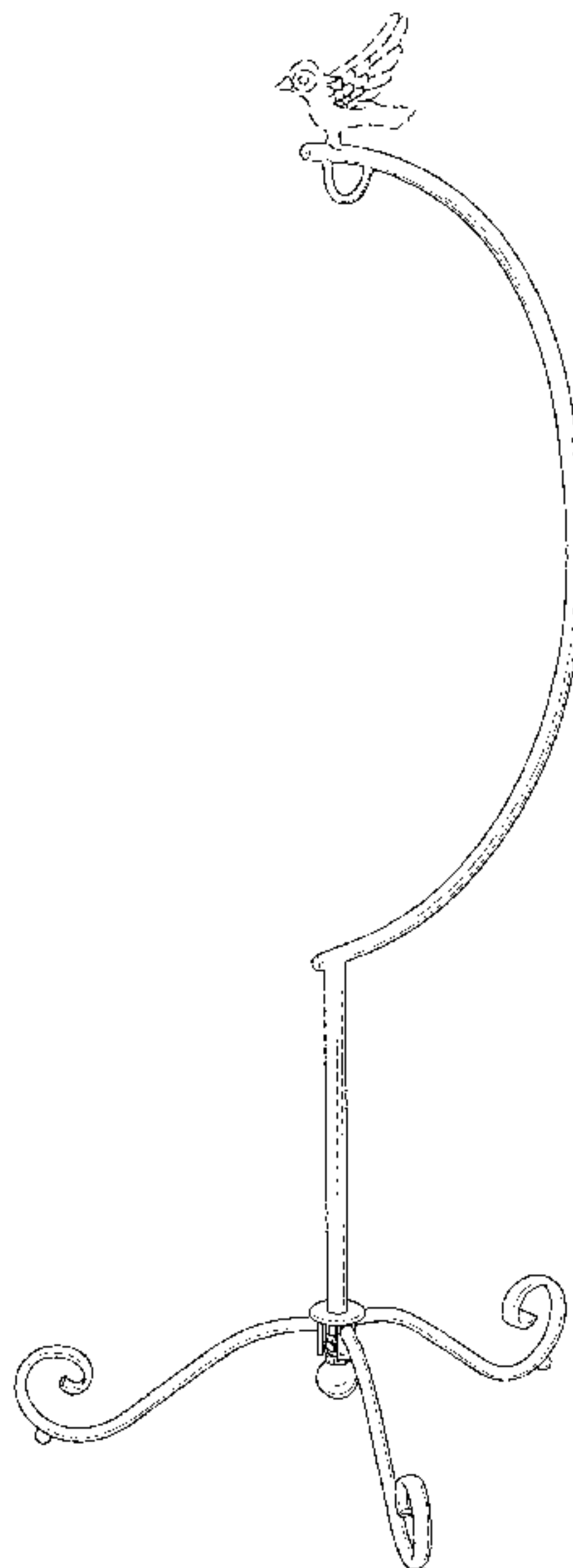
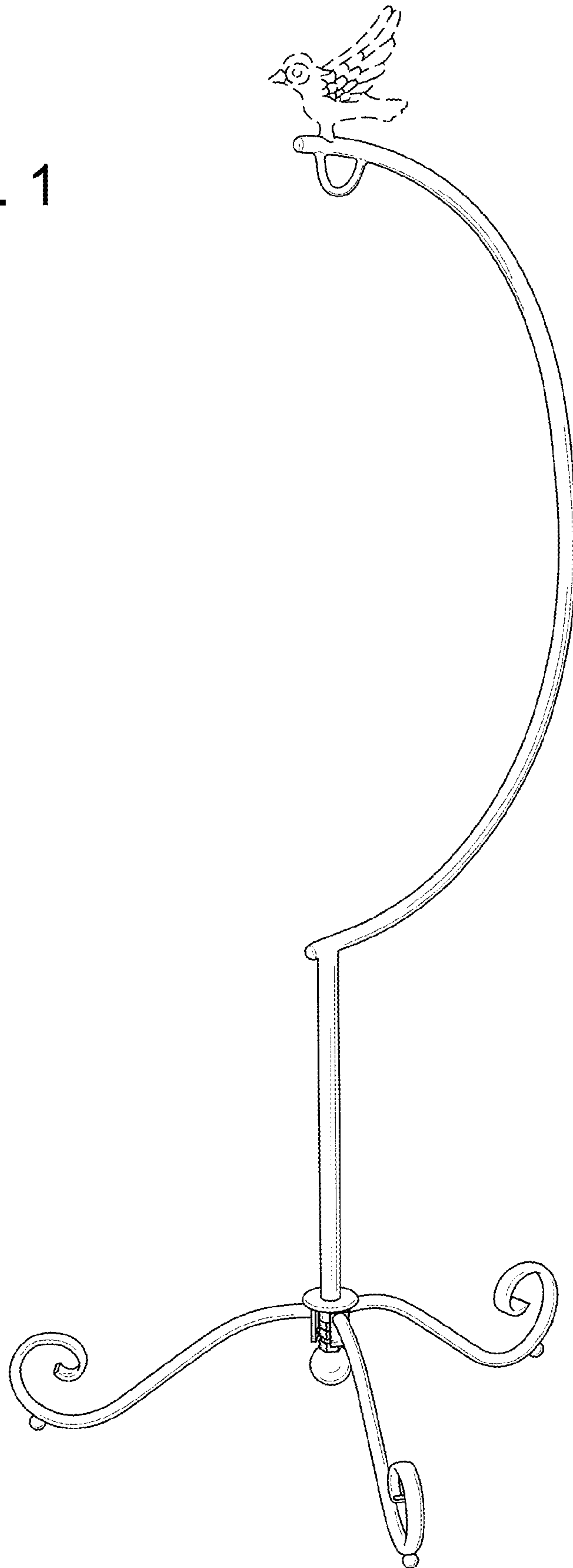


FIG. 1



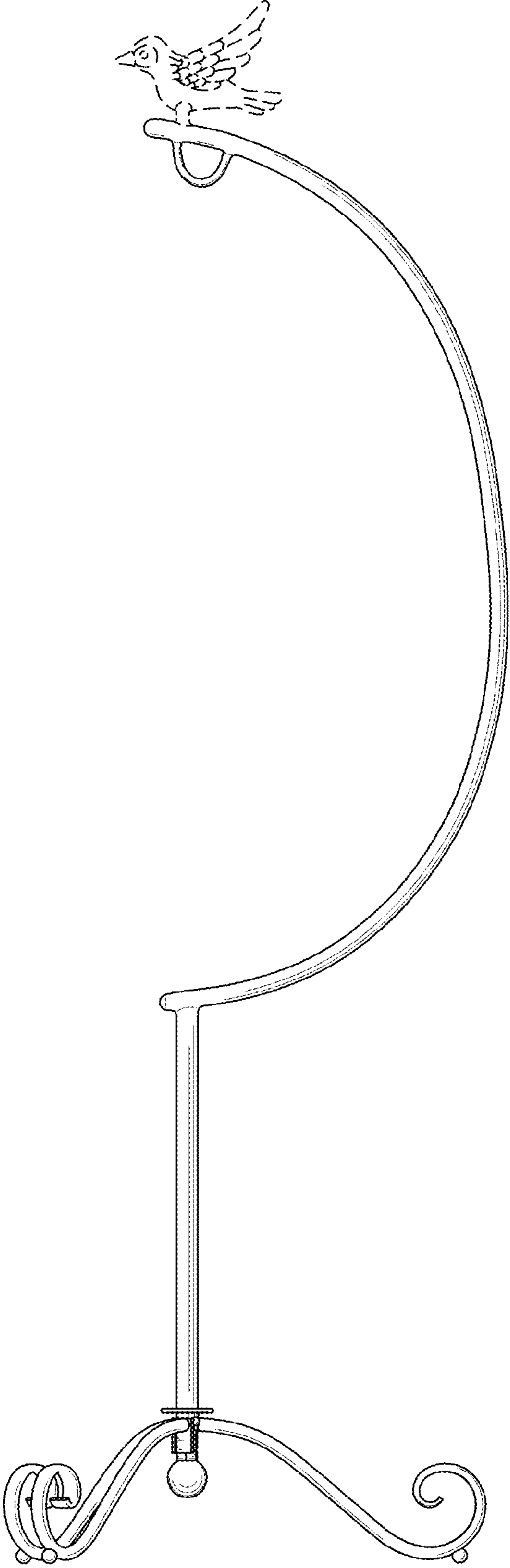


FIG. 2

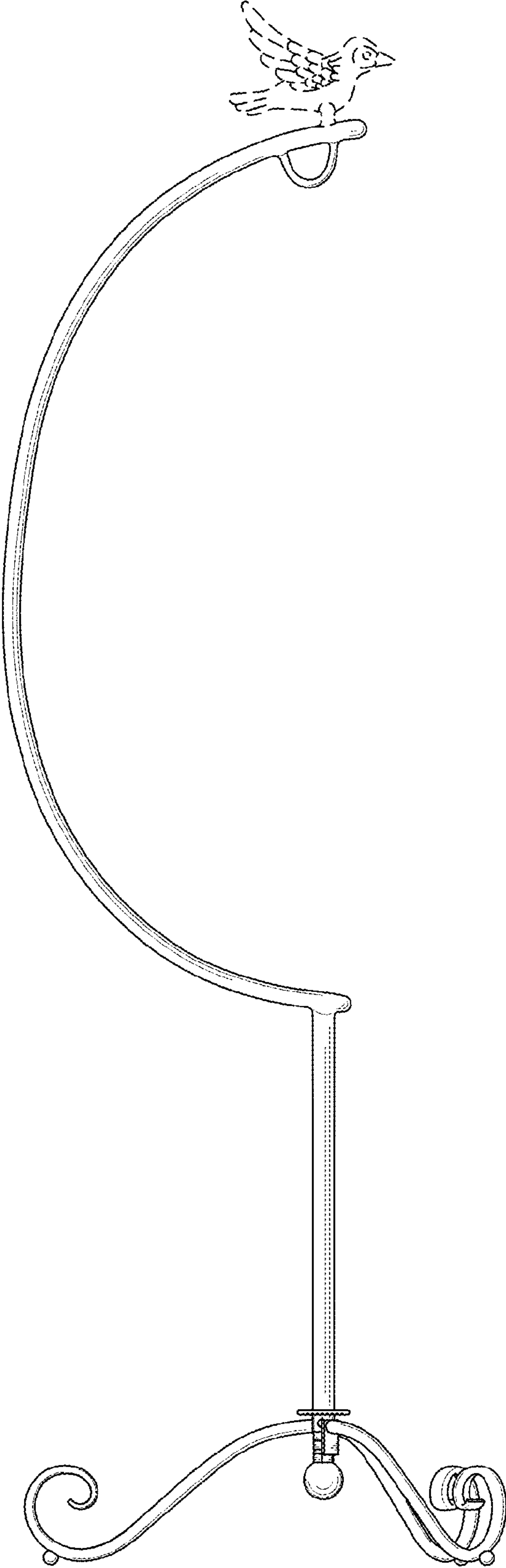


FIG. 3

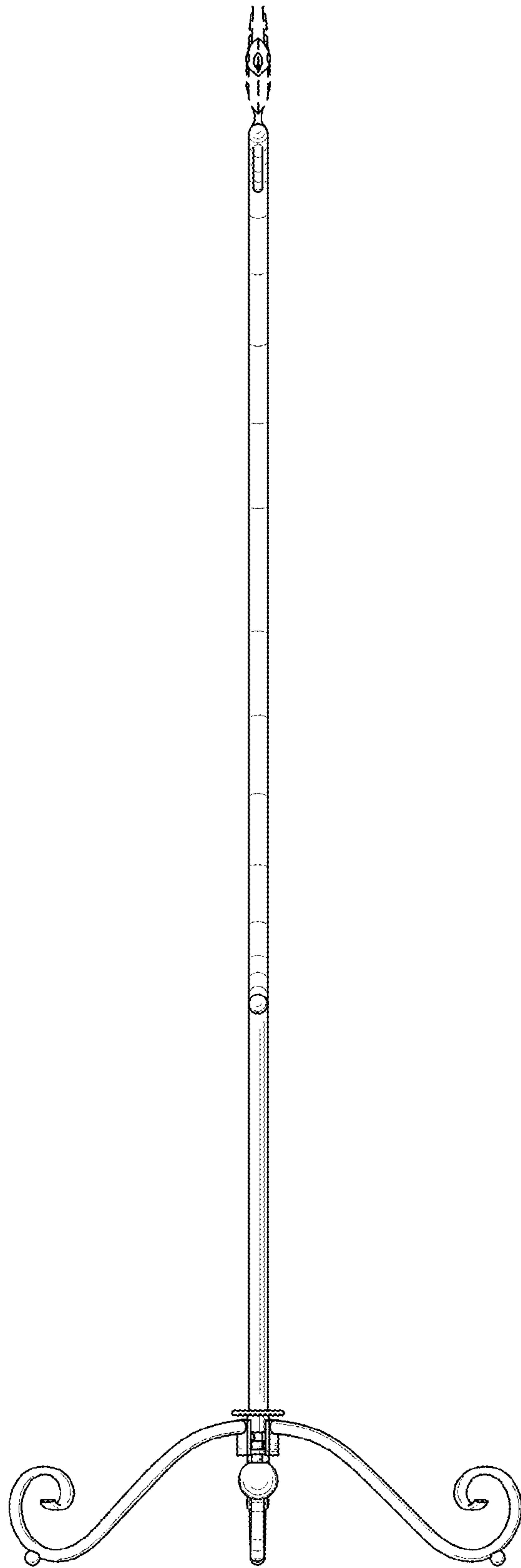


FIG. 4

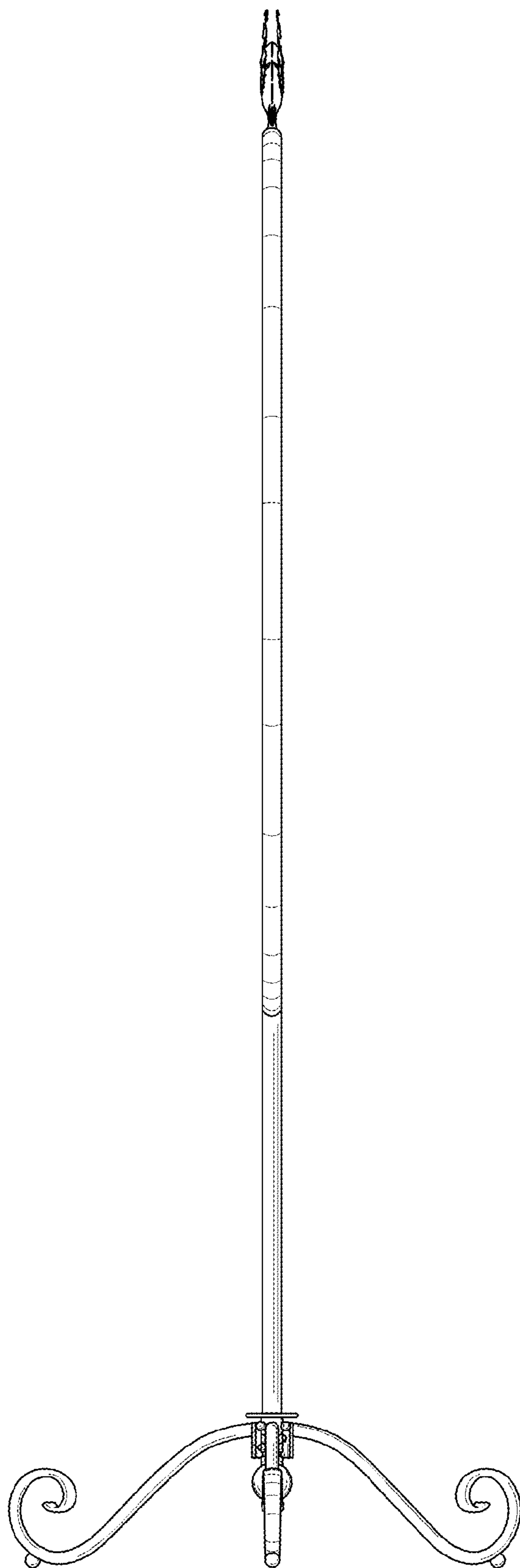


FIG. 5

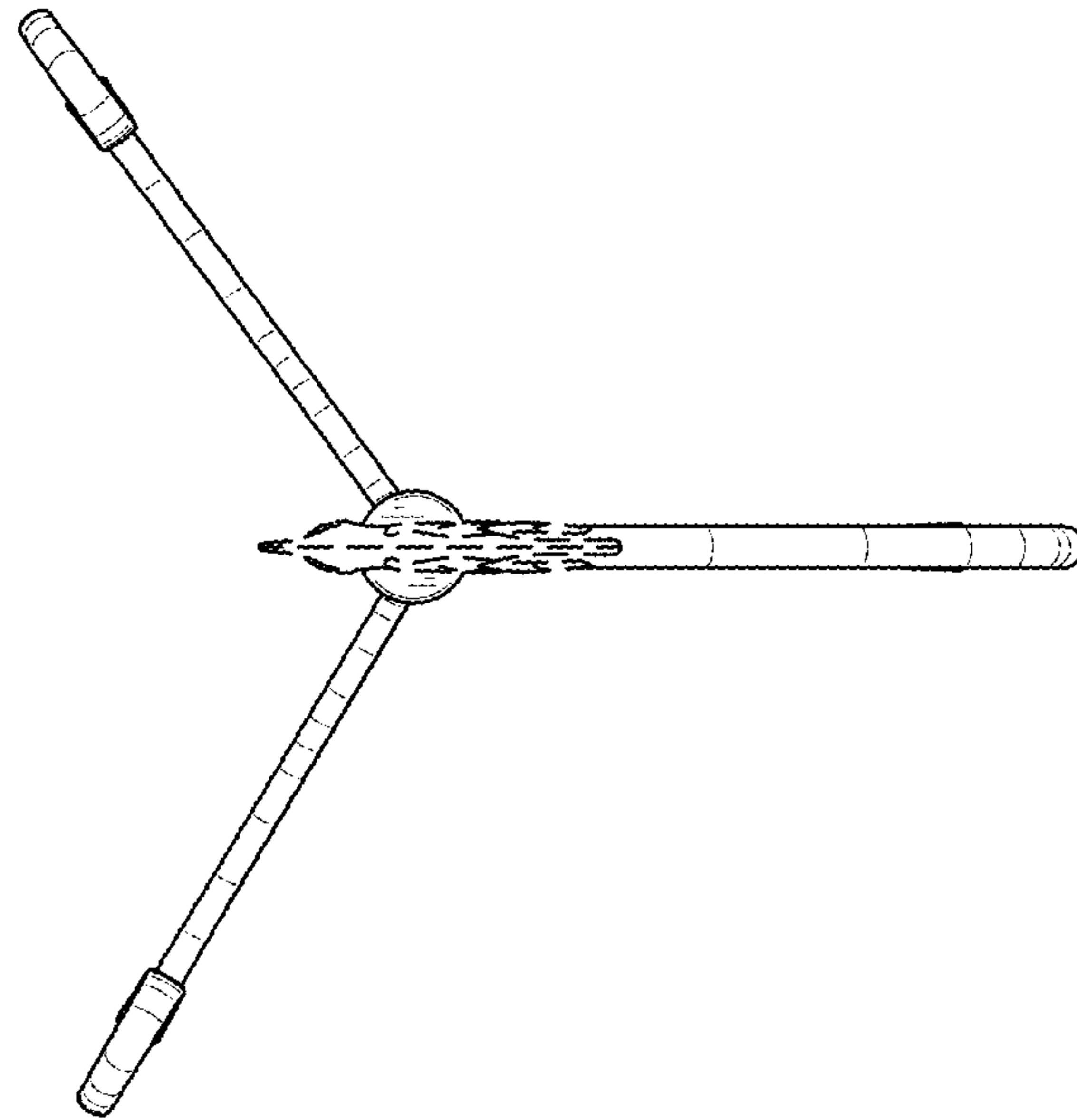


FIG. 6

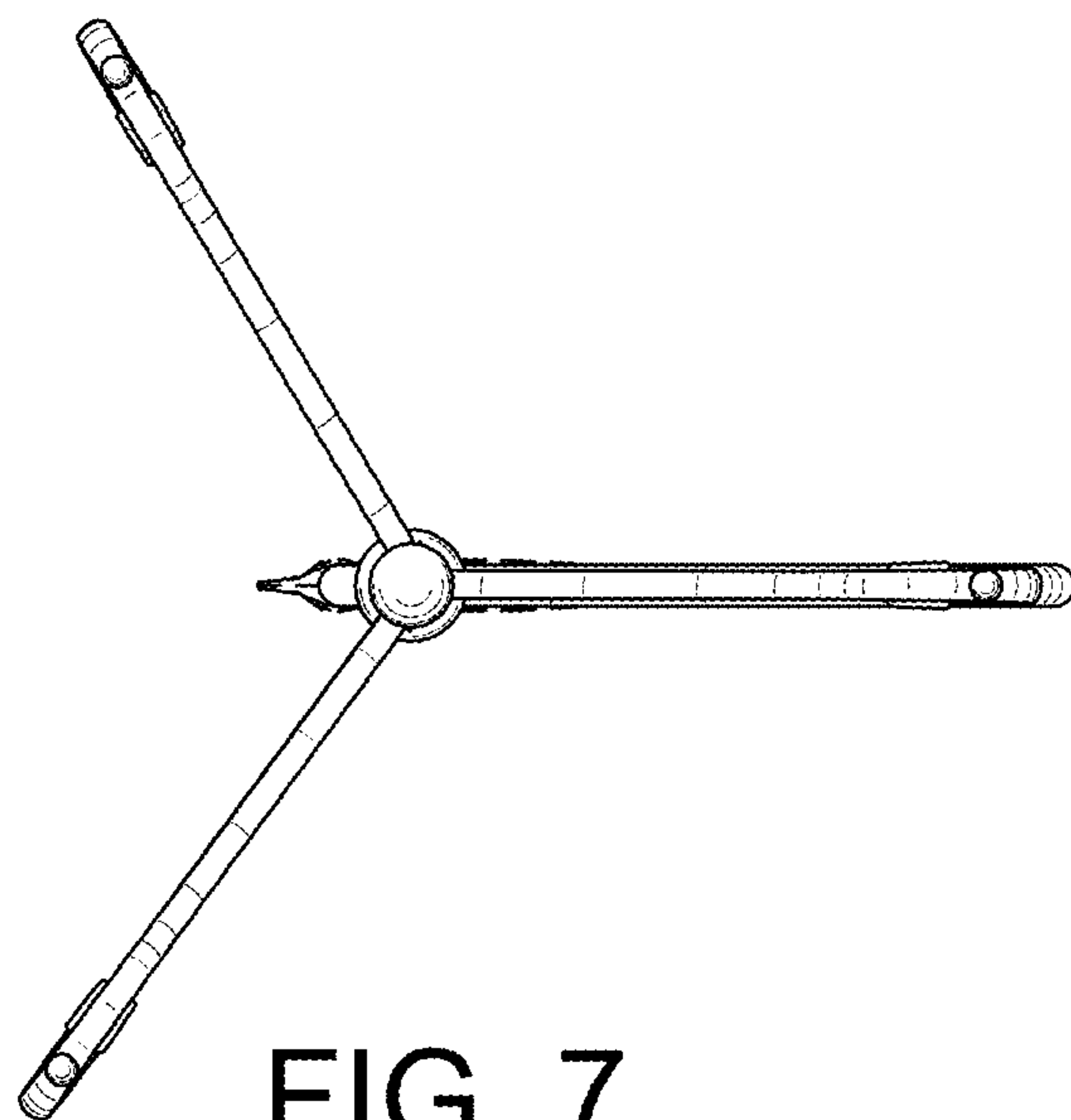


FIG. 7

FIG. 8

