



US00D719370S

(12) **United States Design Patent**  
**Starck**

(10) **Patent No.:** **US D719,370 S**  
(45) **Date of Patent:** **\*\* Dec. 16, 2014**

- (54) **SOFA**
- (71) Applicant: **Kartell S.p.A.**, Noviglio, Milan (IT)
- (72) Inventor: **Philippe Starck**, Paris (FR)
- (73) Assignee: **Kartell S.p.A.**, Milan (IT)
- (\*\*) Term: **14 Years**
- (21) Appl. No.: **29/465,795**
- (22) Filed: **Aug. 30, 2013**

D336,376 S *	6/1993	Hollington .....	D6/334
D339,247 S *	9/1993	Grosfillex .....	D6/379
D339,694 S *	9/1993	Schwartz et al. ....	D6/370
D341,728 S *	11/1993	Grosfillex .....	D6/379
D345,869 S *	4/1994	Grosfillex .....	D6/381
D392,469 S *	3/1998	De Blaay .....	D6/334
D401,078 S *	11/1998	Relling .....	D6/381
D417,558 S *	12/1999	Staubach et al. ....	D6/334
D430,740 S *	9/2000	Chun .....	D6/334
D431,122 S *	9/2000	Koncar .....	D6/381
D475,539 S *	6/2003	Savini .....	D6/334
D492,499 S *	7/2004	Relling et al. ....	D6/381
D499,270 S *	12/2004	Relling et al. ....	D6/381
D542,545 S *	5/2007	Switzer .....	D6/334
D586,145 S *	2/2009	Guinochet .....	D6/381
D616,215 S *	5/2010	Andersen .....	D6/381

- (30) **Foreign Application Priority Data**  
Apr. 4, 2013 (IT) ..... MI2013O000079
- (51) **LOC (10) Cl.** ..... **06-01**
- (52) **U.S. Cl.**  
USPC ..... **D6/381**
- (58) **Field of Classification Search**  
CPC ..... A47C 17/00; A47C 17/02; A47C 17/12;  
A47C 17/18; A47C 7/021; A47C 31/00;  
A47C 3/16  
USPC ..... D6/334, 335, 336, 379, 381; 297/94,  
297/118, 232, 445.1, 448.1, DIG. 7  
See application file for complete search history.

\* cited by examiner

*Primary Examiner* — Sandra Snapp  
(74) *Attorney, Agent, or Firm* — Thomas|Horstemeyer, LLP

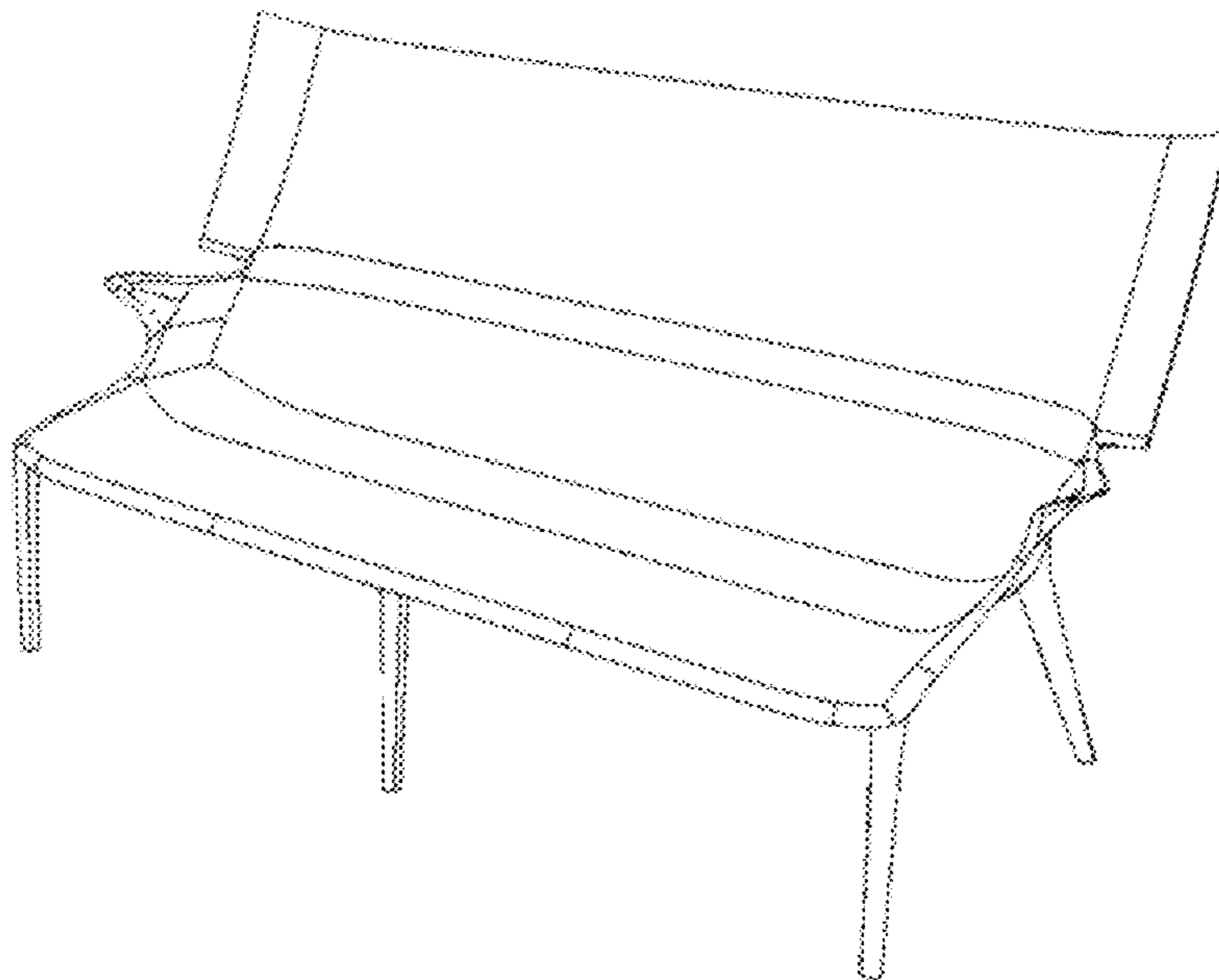
- (56) **References Cited**  
U.S. PATENT DOCUMENTS  
D224,766 S \* 9/1972 Rowland ..... D6/371  
3,700,282 A \* 10/1972 Rowland ..... 297/440.23  
D228,371 S \* 9/1973 Gill ..... D6/364  
D261,702 S \* 11/1981 Whalen ..... D6/334  
4,343,509 A \* 8/1982 Lundgren ..... 297/232  
D278,581 S \* 4/1985 Melchior ..... D6/373  
D335,588 S \* 5/1993 Beirise ..... D6/381

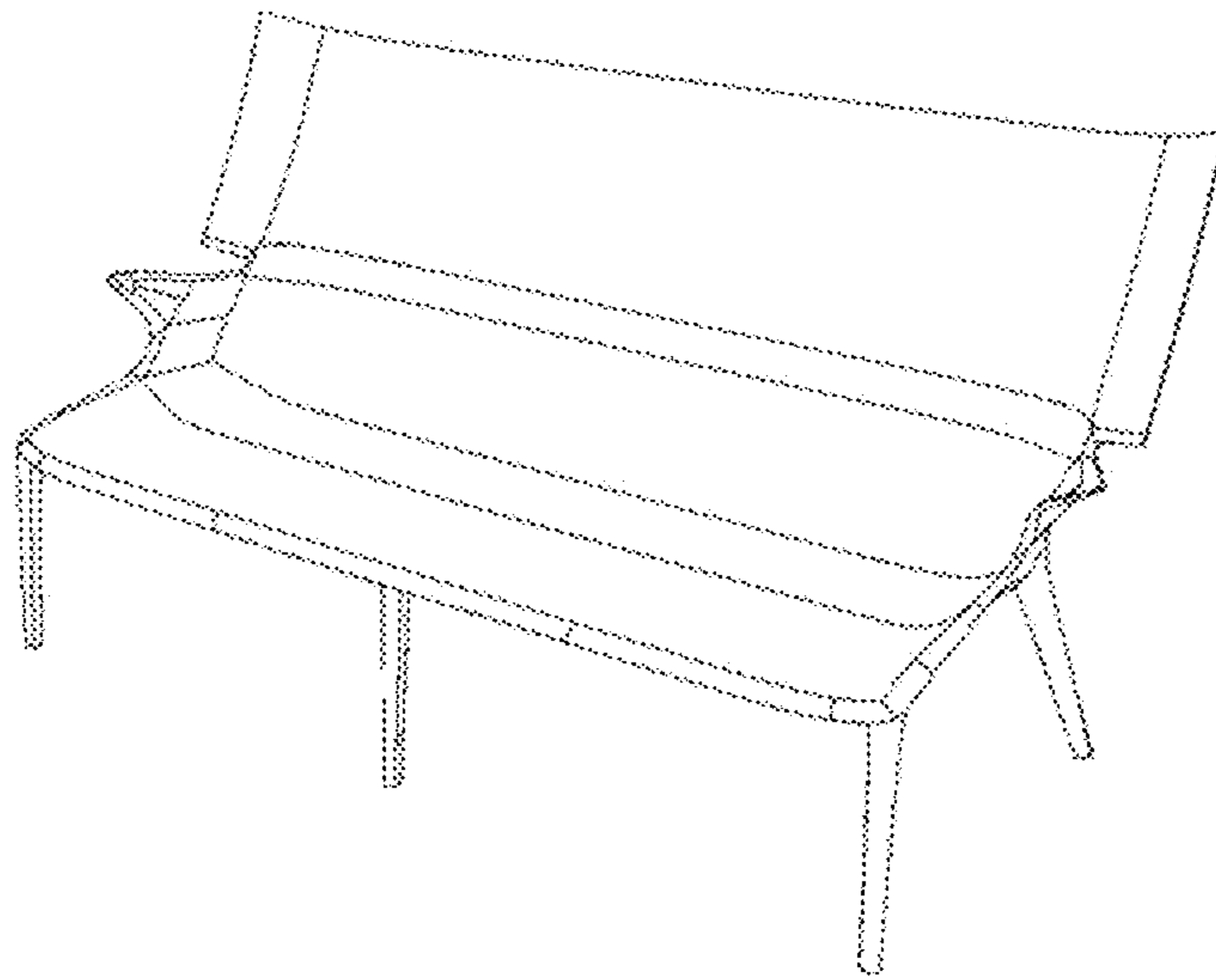
(57) **CLAIM**  
The ornamental design for a sofa, as shown and described.

**DESCRIPTION**

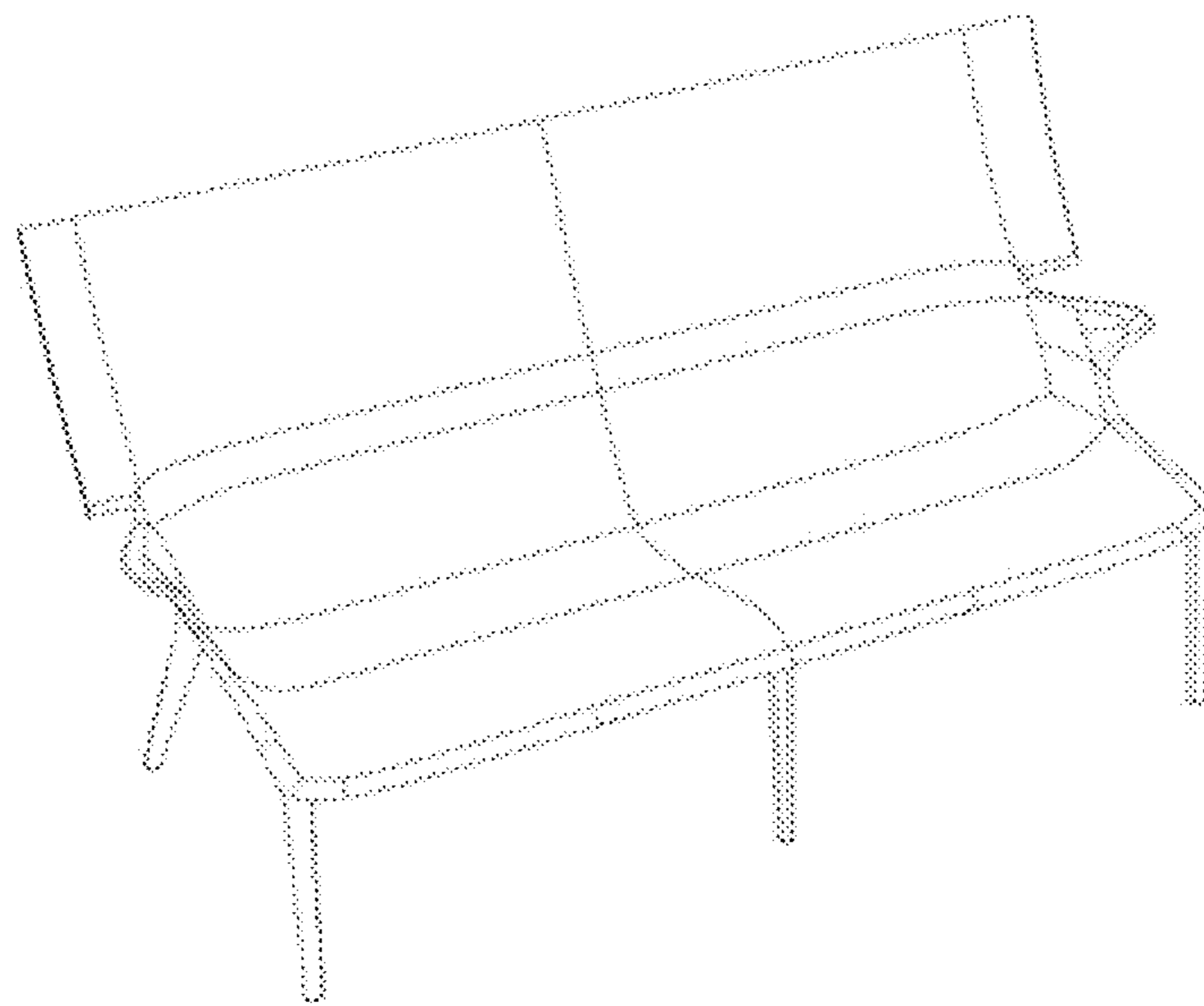
FIG. 1 is a front perspective view showing my new sofa;  
FIG. 2 is a front perspective of my new sofa from the side opposite that in FIG. 1;  
FIG. 3 is a front elevational view of my new sofa of FIG. 1;  
FIG. 4 is a rear elevational view of my new sofa of FIG. 1;  
FIG. 5 is a side elevational view of my new sofa of FIG. 1 from the right side thereof;  
FIG. 6 is a side elevational view of my new sofa of FIG. 1 from the left side thereof;  
FIG. 7 is a top plan view of my new sofa of FIG. 1; and,  
FIG. 8 is a bottom plan view of my new sofa of FIG. 1.

**1 Claim, 8 Drawing Sheets**

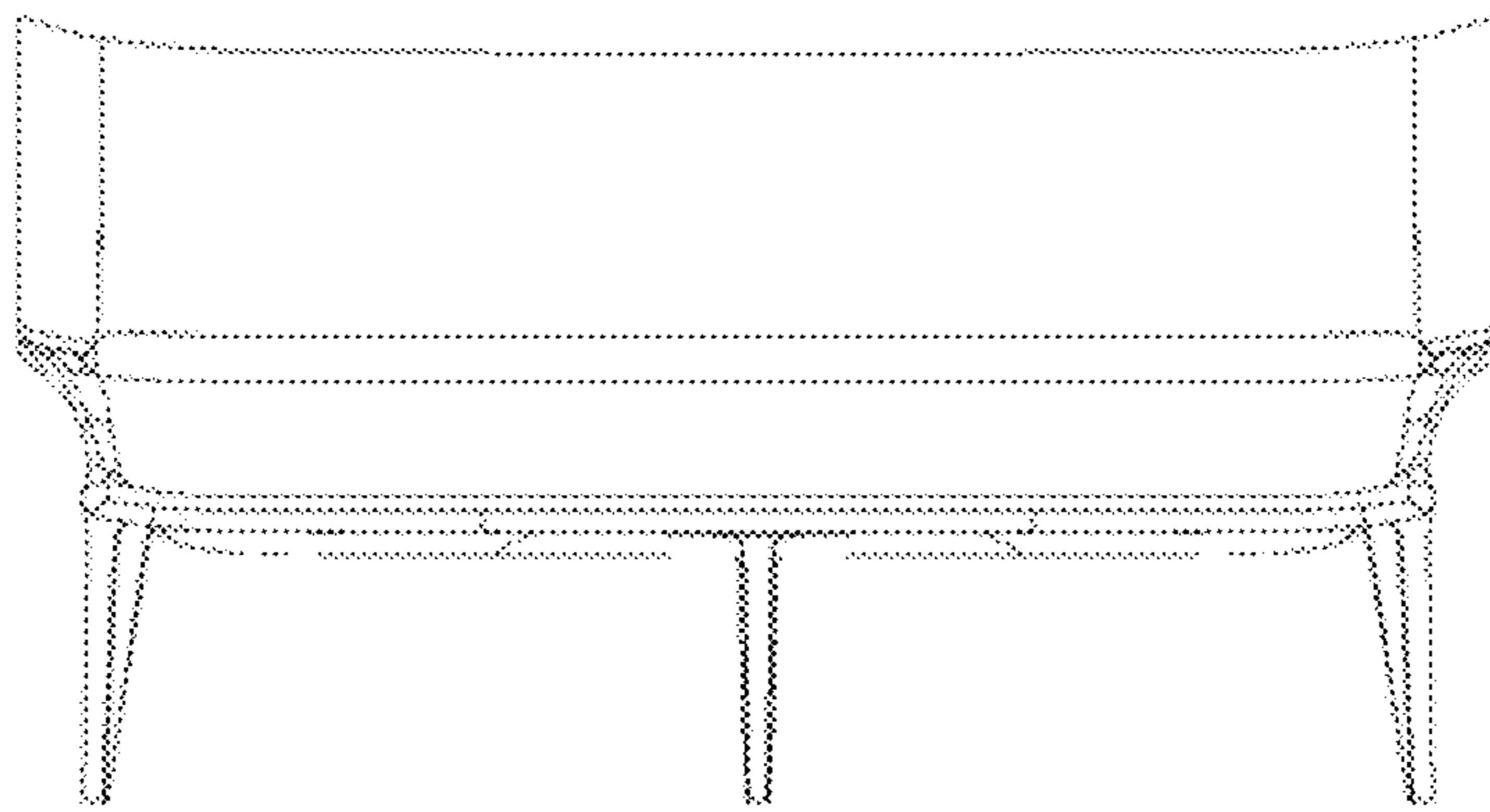




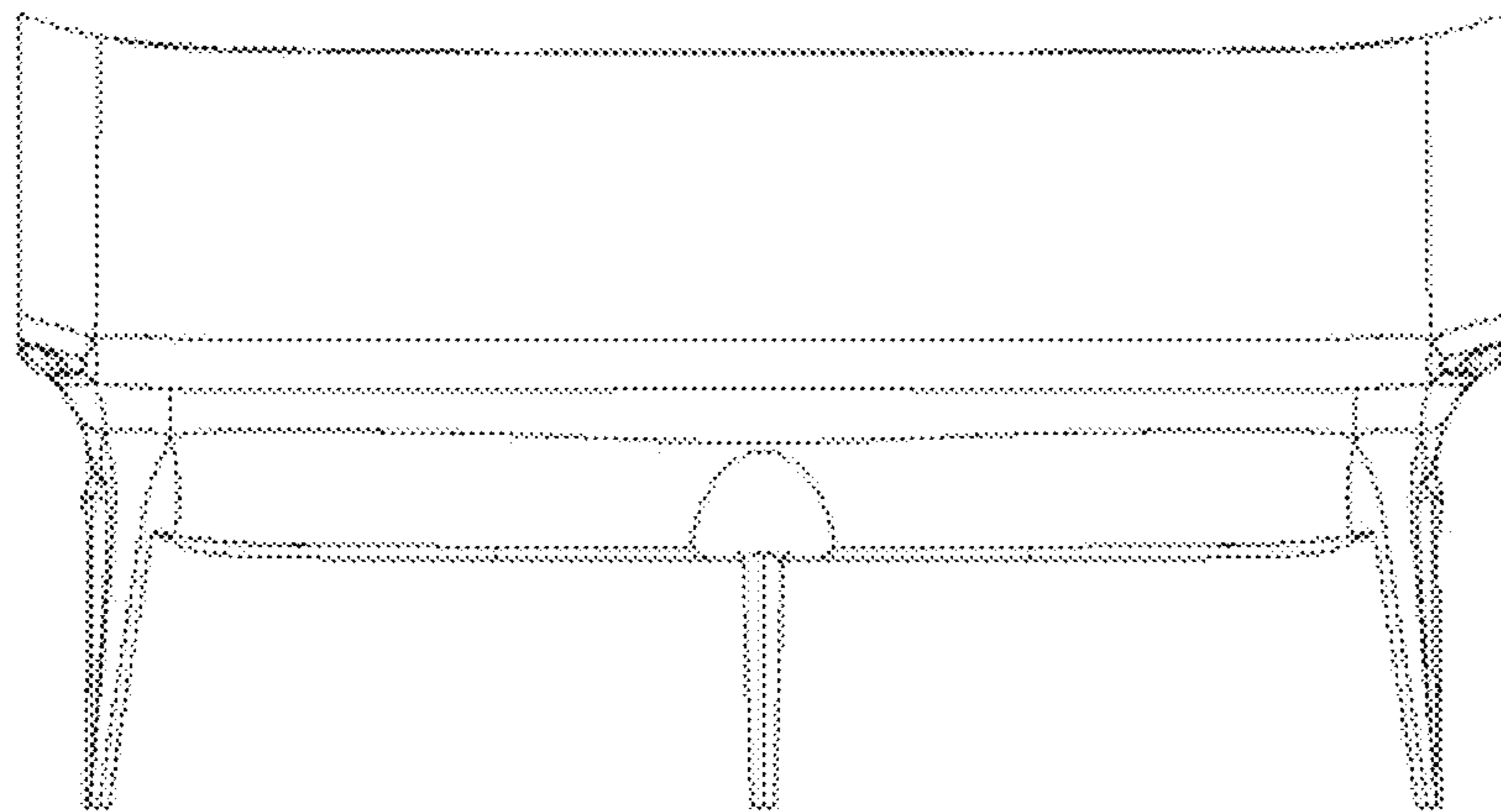
**FIG. 1**



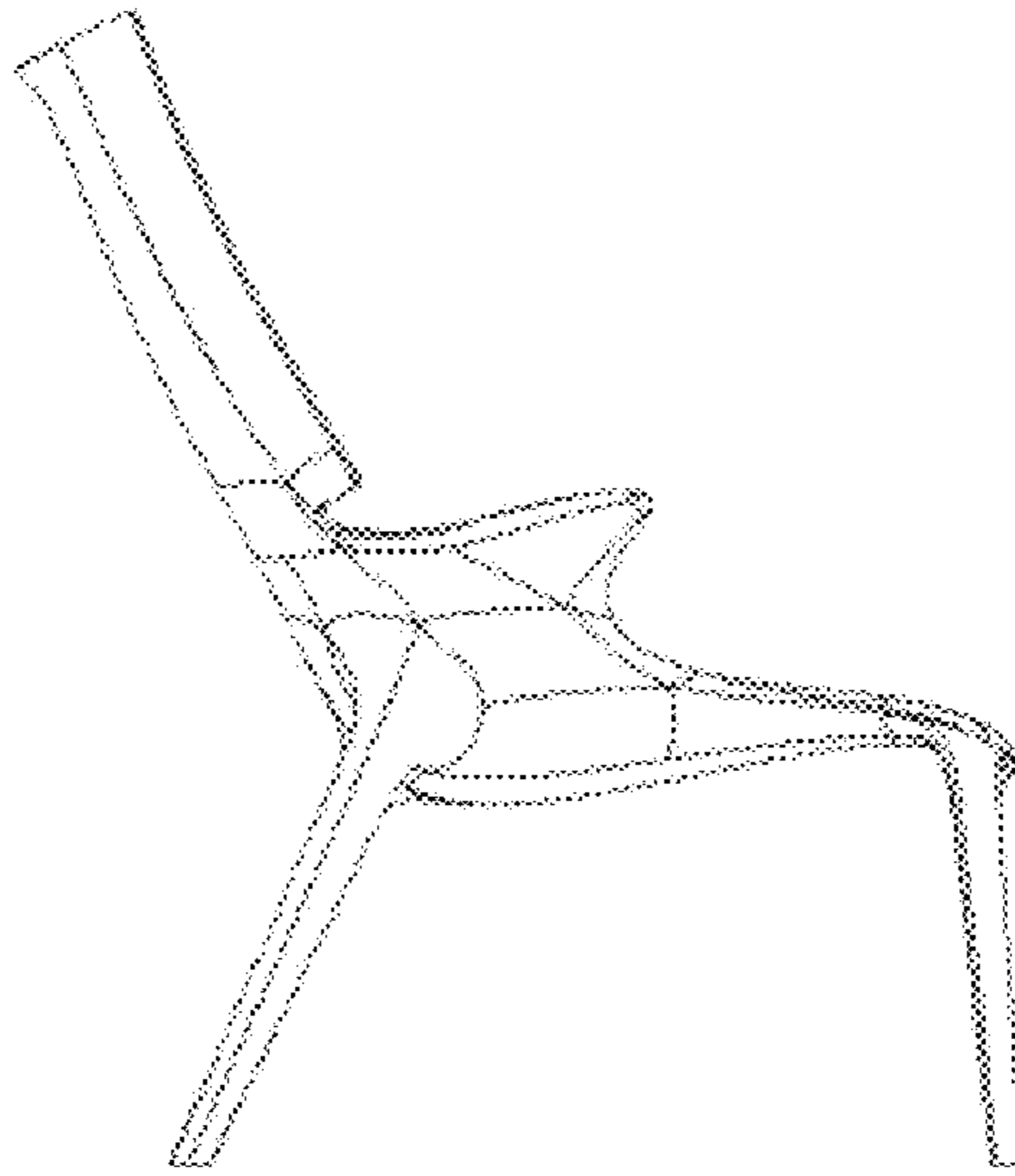
**FIG. 2**



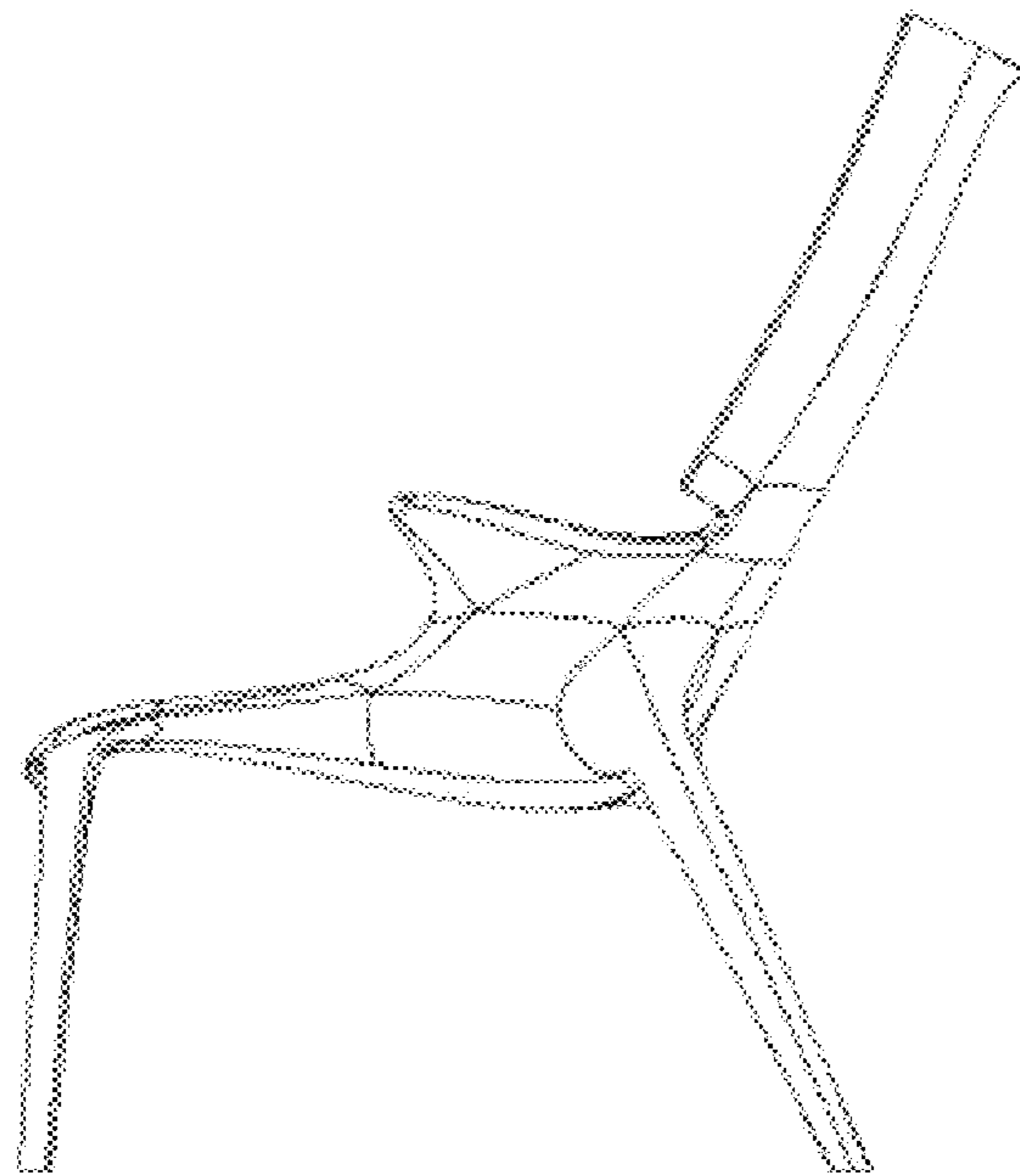
**FIG. 3**



**FIG. 4**



**FIG. 5**

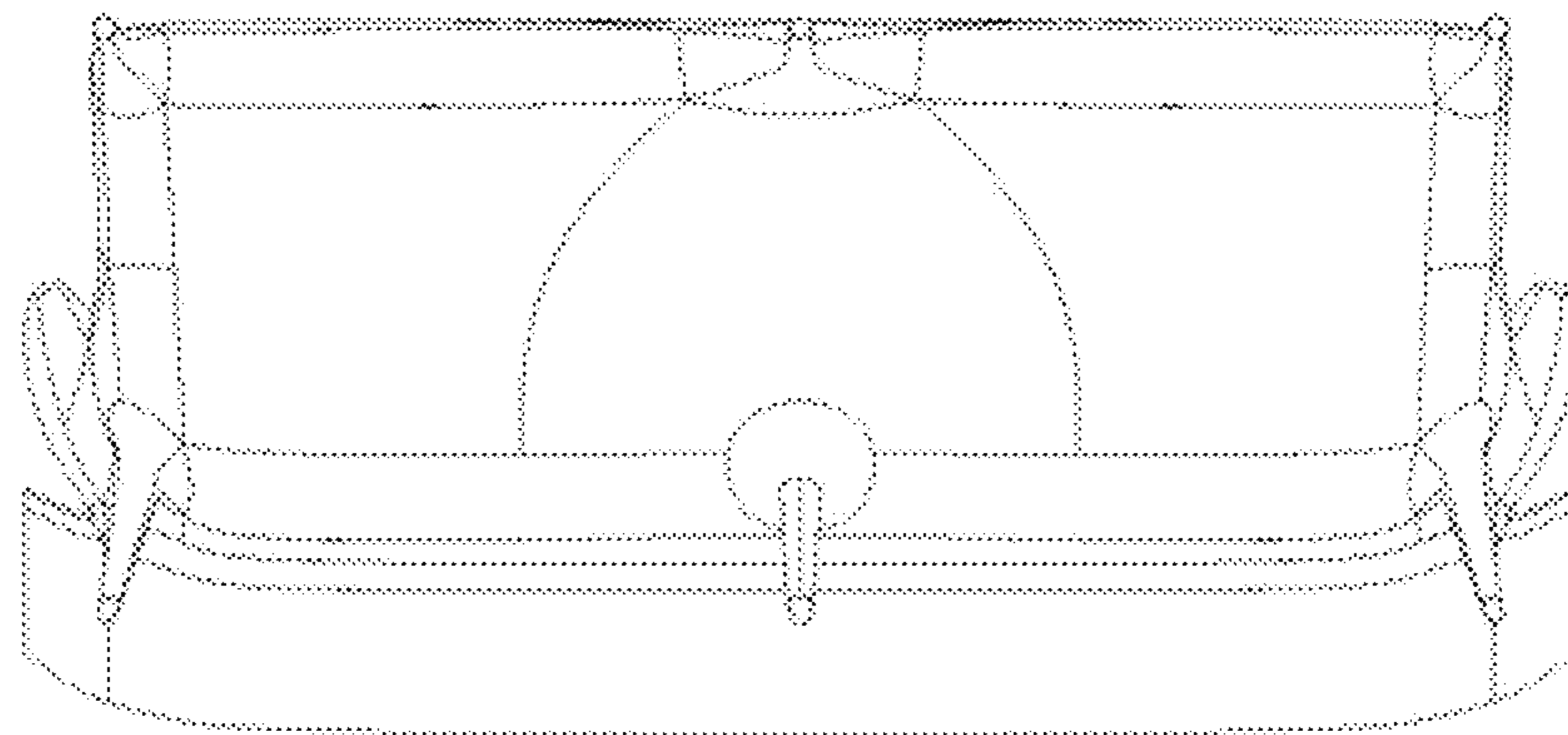


**FIG. 6**



**FIG. 7**





**FIG. 8**