



US00D719369S

(12) **United States Design Patent**
Sampietro

(10) **Patent No.:** **US D719,369 S**

(45) **Date of Patent:** **** Dec. 16, 2014**

(54) **CLOCHE SOFA**

(71) Applicant: **Carlo Sampietro**, New York, NY (US)

(72) Inventor: **Carlo Sampietro**, New York, NY (US)

(**) Term: **14 Years**

(21) Appl. No.: **29/443,987**

(22) Filed: **Mar. 5, 2013**

(51) **LOC (10) Cl.** **06-01**

(52) **U.S. Cl.**
USPC **D6/381**

(58) **Field of Classification Search**

CPC A47C 17/00; A47C 17/02; A47C 17/12;
A47C 17/18; A47C 7/021; A47C 31/00;
A47C 3/16

USPC D6/334, 335, 336, 379, 381, 369;
297/94, 118, 232, 445.1, 448.1, DIG. 7

See application file for complete search history.

(56) **References Cited**

U.S. PATENT DOCUMENTS

D330,811 S *	11/1992	Genova et al.	D6/381
D412,790 S *	8/1999	Dhing	D6/349
D444,957 S *	7/2001	Kagan	D6/377
D494,772 S *	8/2004	Kagan	D6/381
D528,816 S *	9/2006	Gehry	D6/381
D543,378 S *	5/2007	Ricci	D6/381
D576,820 S *	9/2008	Priestman	D6/381
D607,227 S *	1/2010	Massaud	D6/381
D635,793 S *	4/2011	Kanthisamy	D6/381
D635,794 S *	4/2011	Kanthisamy	D6/381
D646,077 S *	10/2011	Robinson	D6/381
D672,573 S *	12/2012	Bouroullec et al.	D6/381
D677,070 S *	3/2013	Kanthisamy	D6/381

(Continued)

Primary Examiner — Sandra Snapp

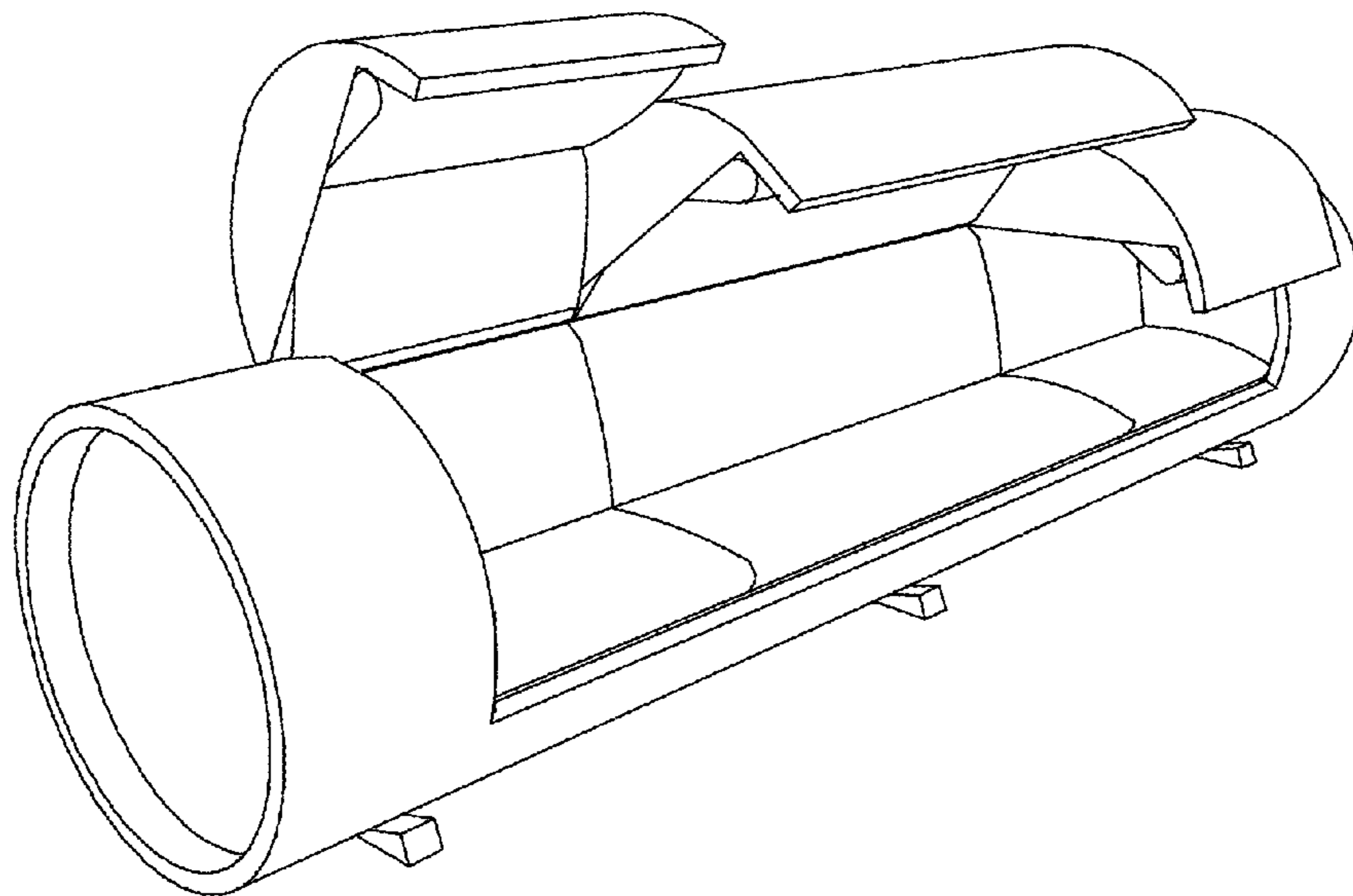
(57) **CLAIM**

The ornamental design for a cloche sofa, as shown and described.

DESCRIPTION

FIG. 1 is a front elevation view of the cloche sofa showing my new design in a closed configuration;
 FIG. 2 is a rear elevation view thereof;
 FIG. 3 is a top plan view thereof;
 FIG. 4 is a bottom plan view thereof;
 FIG. 5 is a right elevation view thereof;
 FIG. 6 is a left elevation view thereof;
 FIG. 7 is a front and right side perspective view thereof;
 FIG. 8 is a front elevation view of the cloche sofa showing my new design in a first partially opened configuration;
 FIG. 9 is a rear elevation view thereof;
 FIG. 10 is a top plan view thereof;
 FIG. 11 is a bottom plan view thereof;
 FIG. 12 is a right elevation view thereof;
 FIG. 13 is a left elevation view thereof;
 FIG. 14 is a front and right side perspective view thereof;
 FIG. 15 is a front elevation view of the cloche sofa showing my new design in a fully opened configuration;
 FIG. 16 is a rear elevation view thereof;
 FIG. 17 is a top plan view thereof;
 FIG. 18 is a bottom plan view thereof;
 FIG. 19 is a right elevation view thereof;
 FIG. 20 is a left elevation view thereof;
 FIG. 21 is a front and right side perspective view thereof;
 FIG. 22 is a front elevation view of the cloche sofa showing my new design in a second partially opened configuration;
 FIG. 23 is a rear elevation view thereof;
 FIG. 24 is a top plan view thereof;
 FIG. 25 is a bottom plan view thereof;
 FIG. 26 is a right elevation view thereof;
 FIG. 27 is a left elevation view thereof; and,
 FIG. 28 is a front and right side perspective view thereof.

1 Claim, 16 Drawing Sheets



US D719,369 S

Page 2

(56)

References Cited

U.S. PATENT DOCUMENTS

D677,071 S * 3/2013 Kanthasamy D6/381
D679,918 S * 4/2013 Souhlas D6/381
D685,587 S * 7/2013 Tuncel D6/371

D695,539 S * 12/2013 Pierre D6/381
D698,172 S * 1/2014 Ciani et al. D6/377
D699,963 S * 2/2014 Hidalgo D6/381
D705,563 S * 5/2014 Souhlas D6/381

* cited by examiner

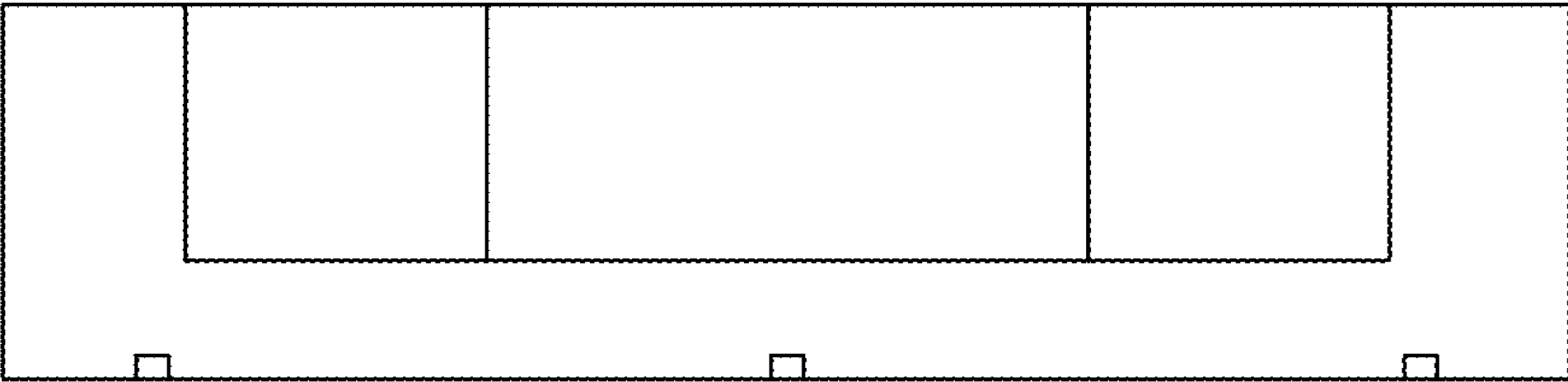


FIG. 1

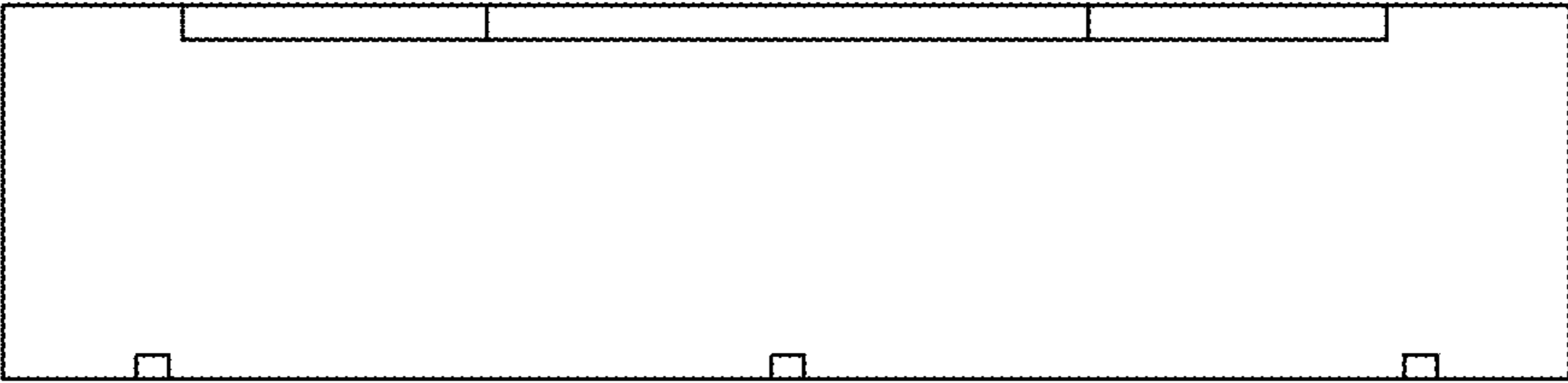


FIG. 2

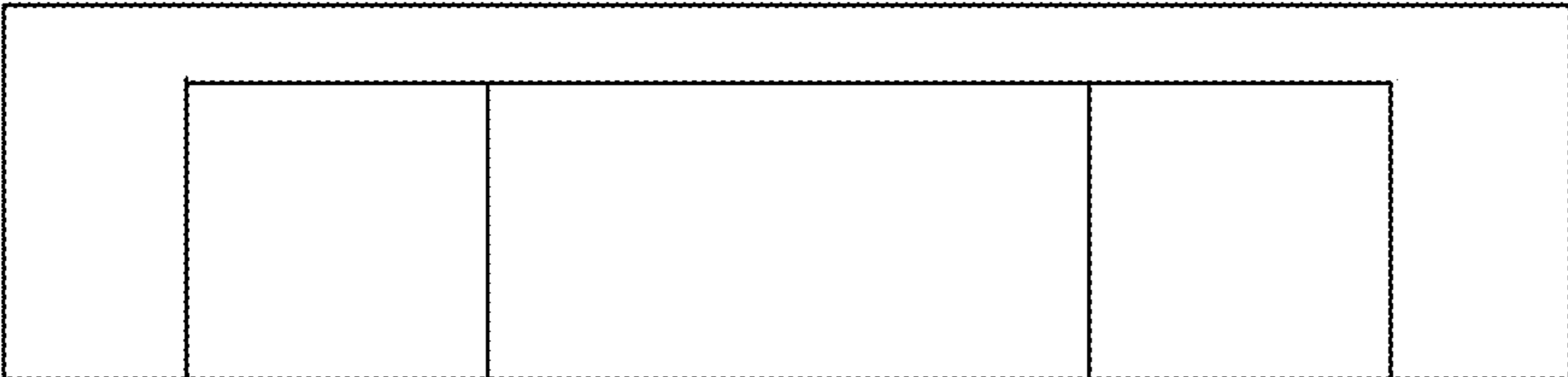


FIG. 3

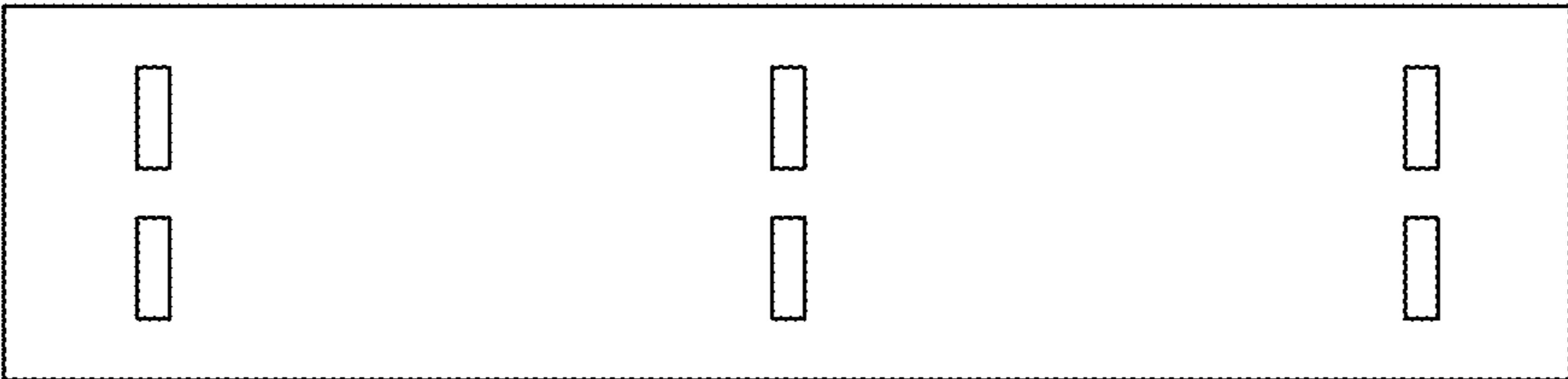


FIG. 4

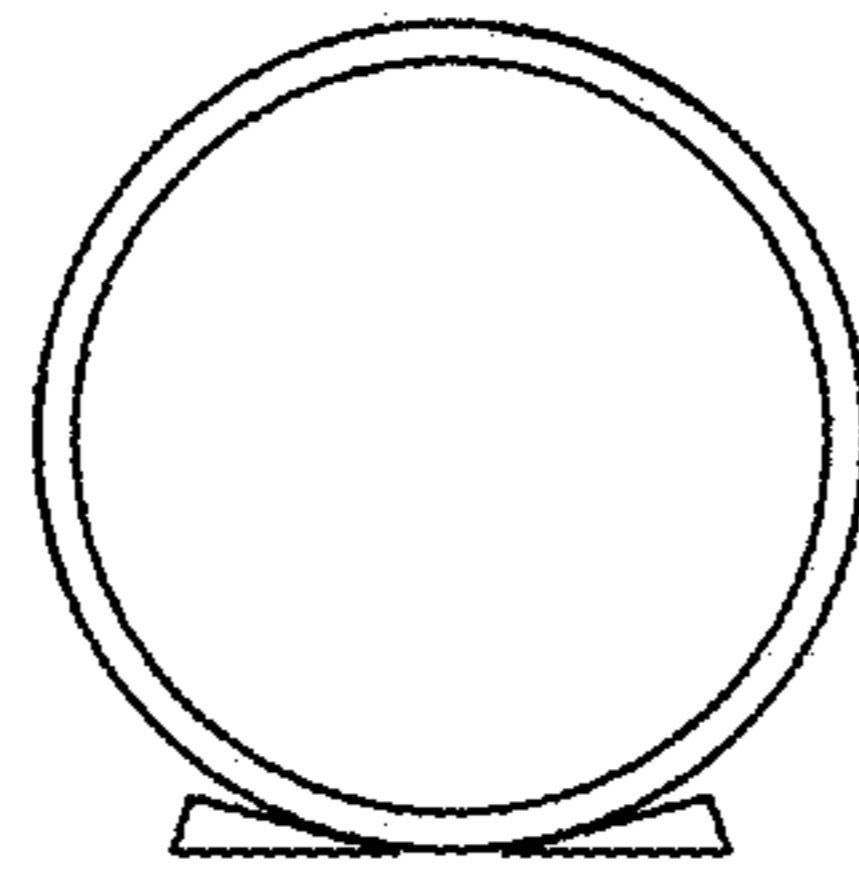


FIG. 5

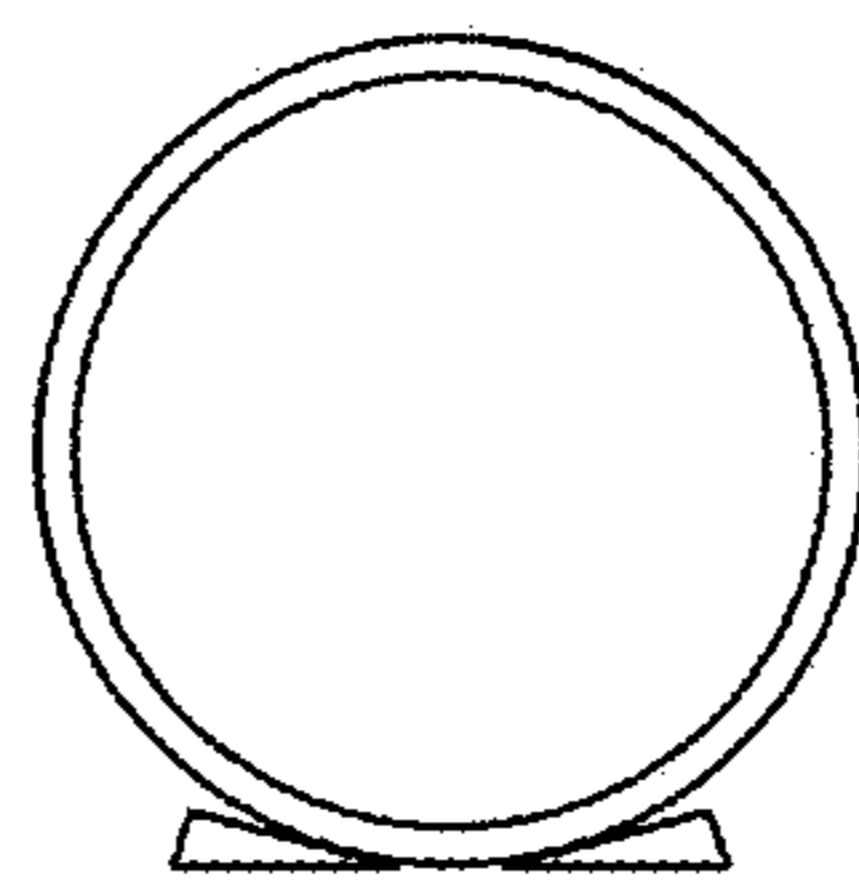


FIG. 6

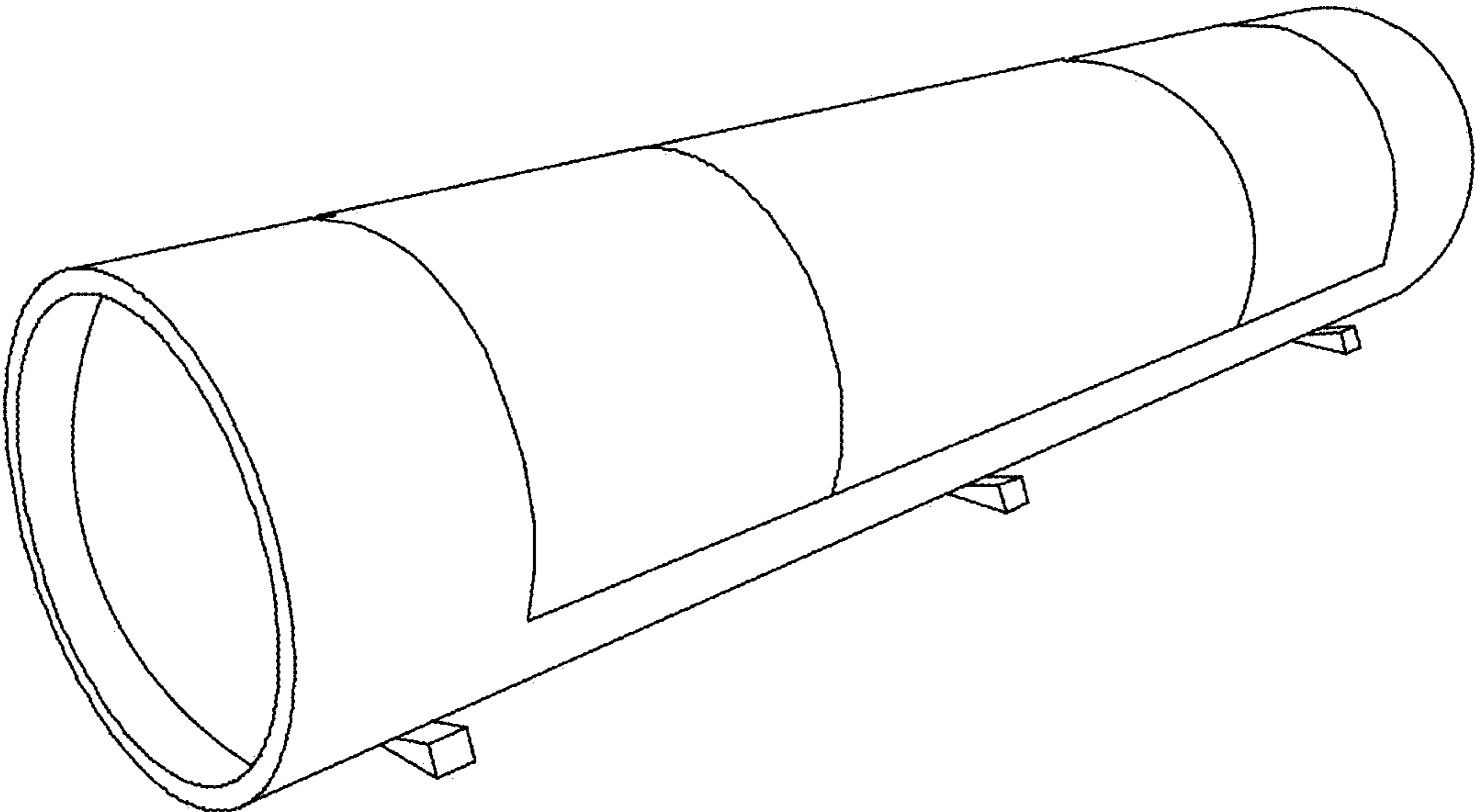


FIG. 7

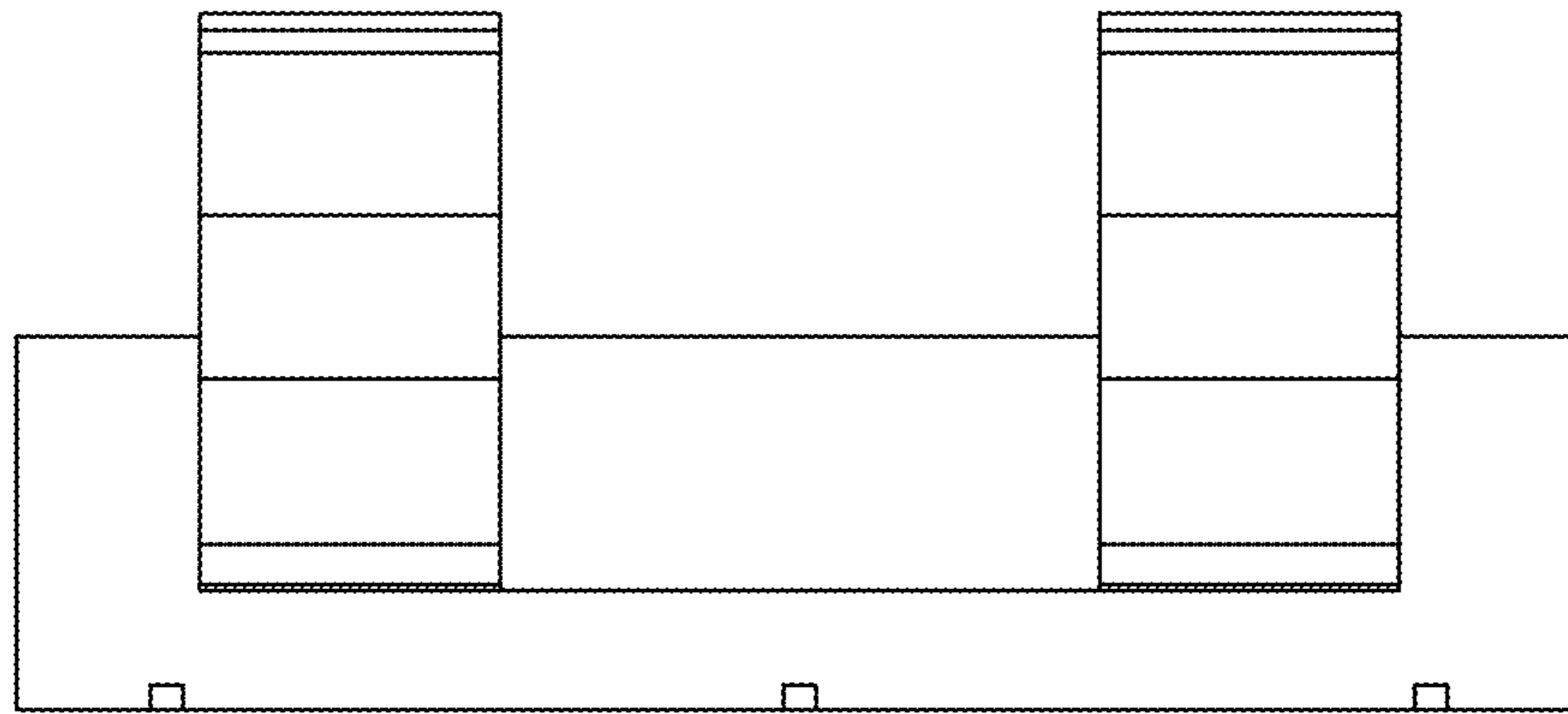


FIG. 8

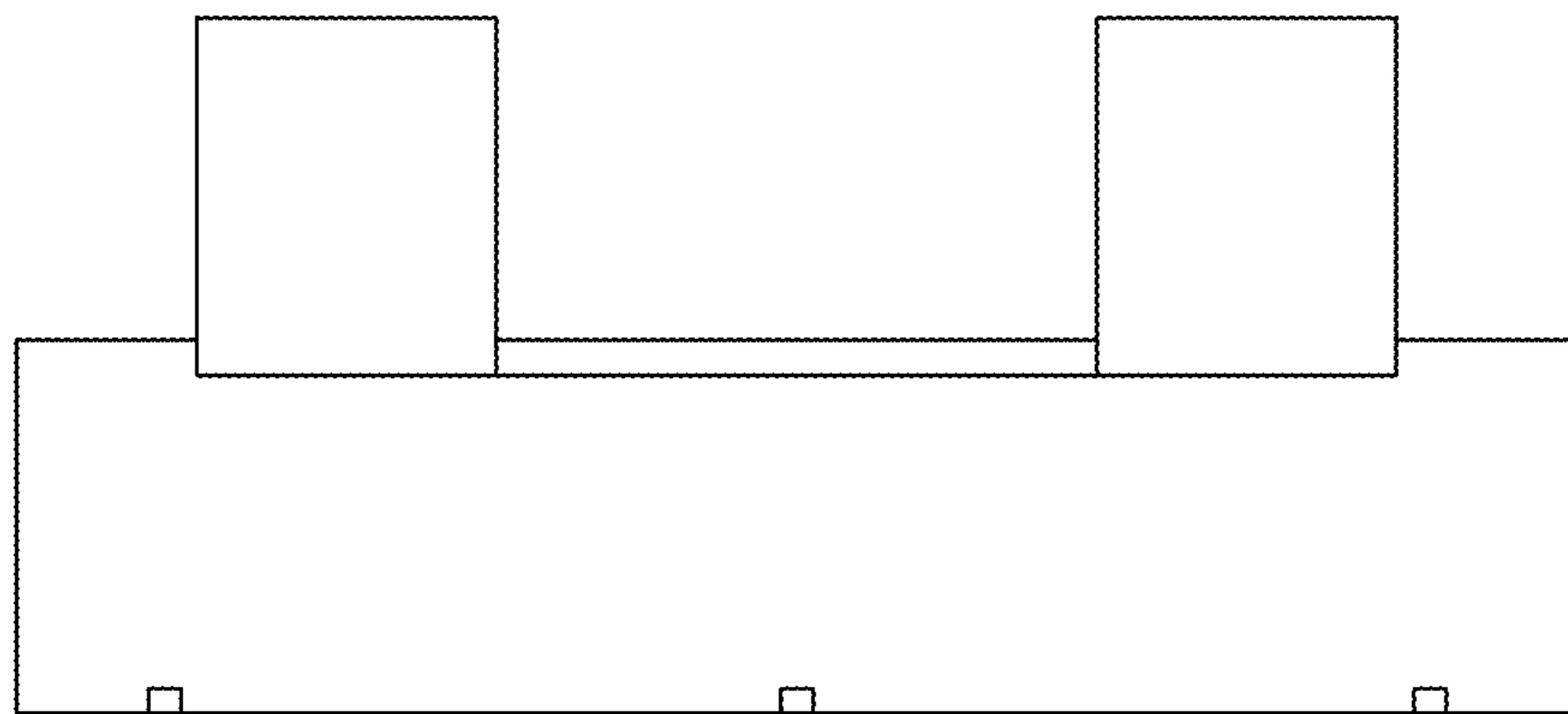


FIG. 9

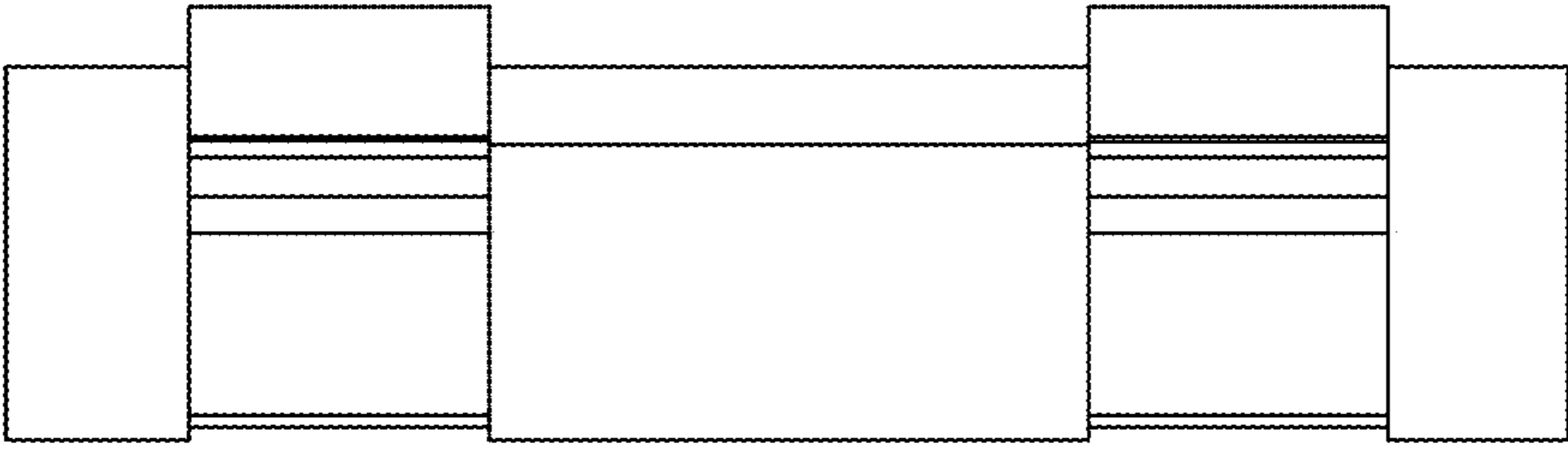


FIG. 10

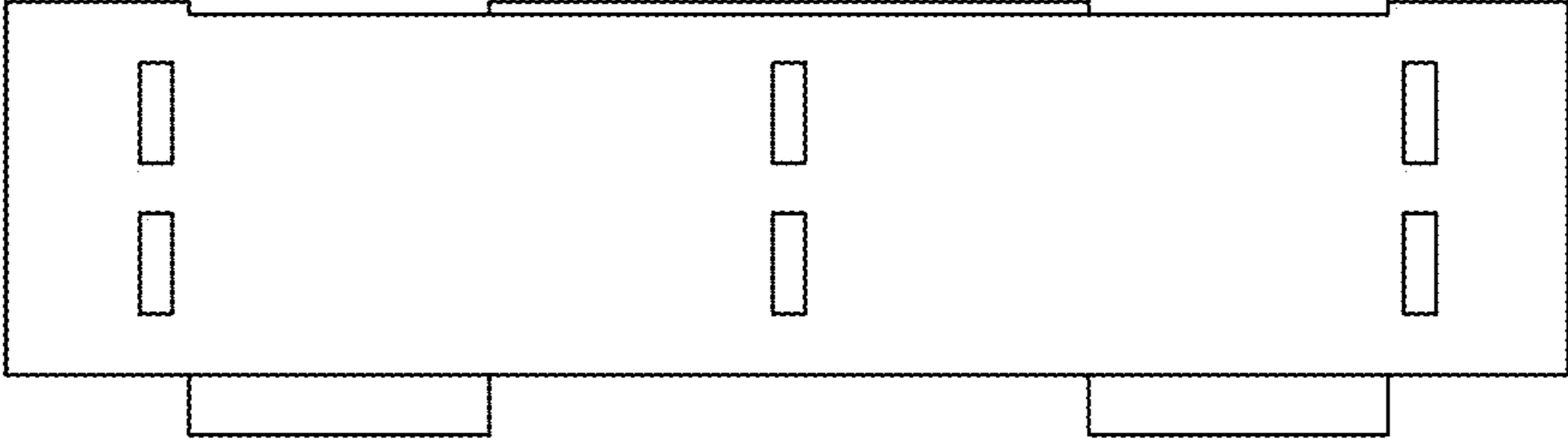


FIG. 11

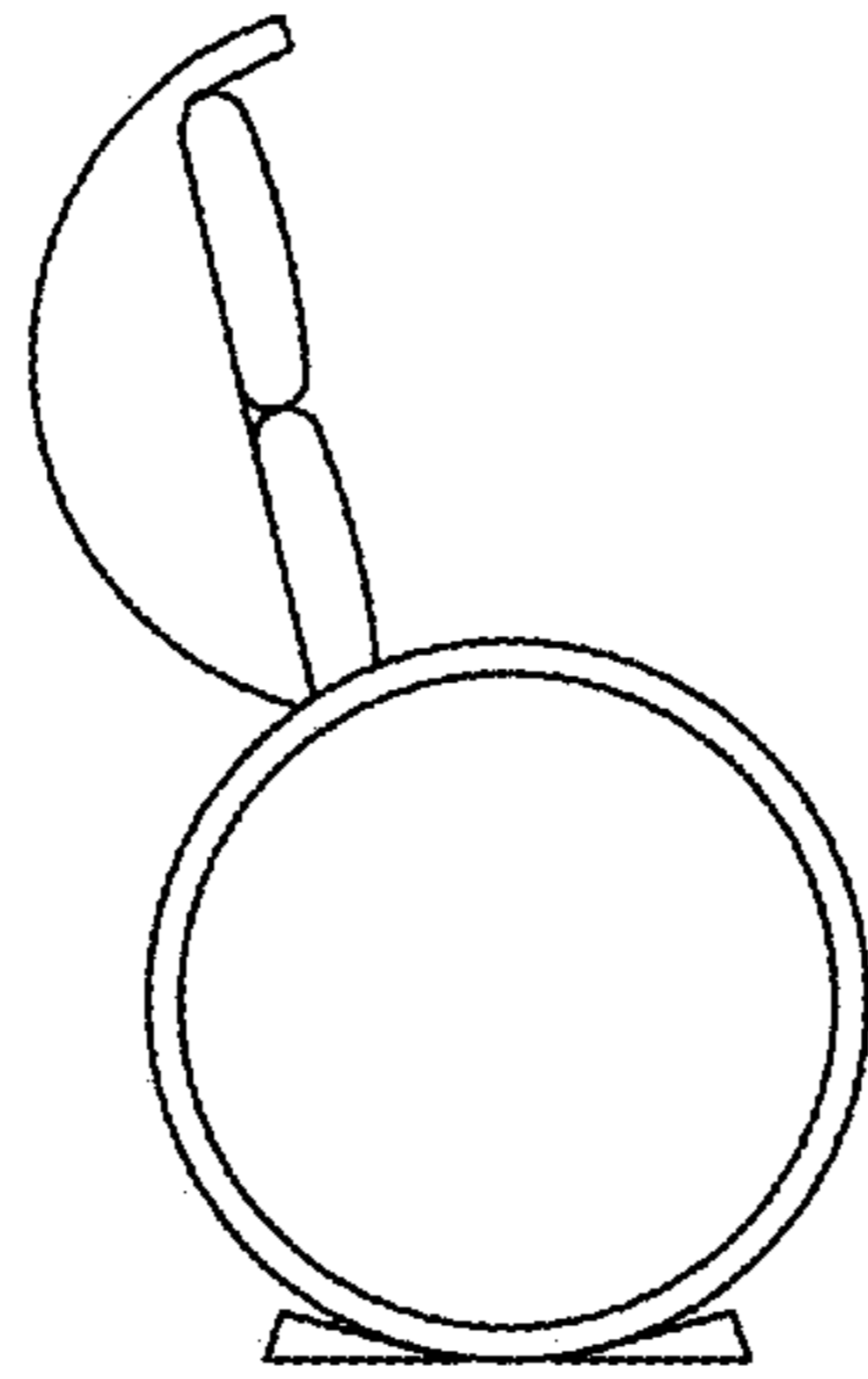


FIG. 12

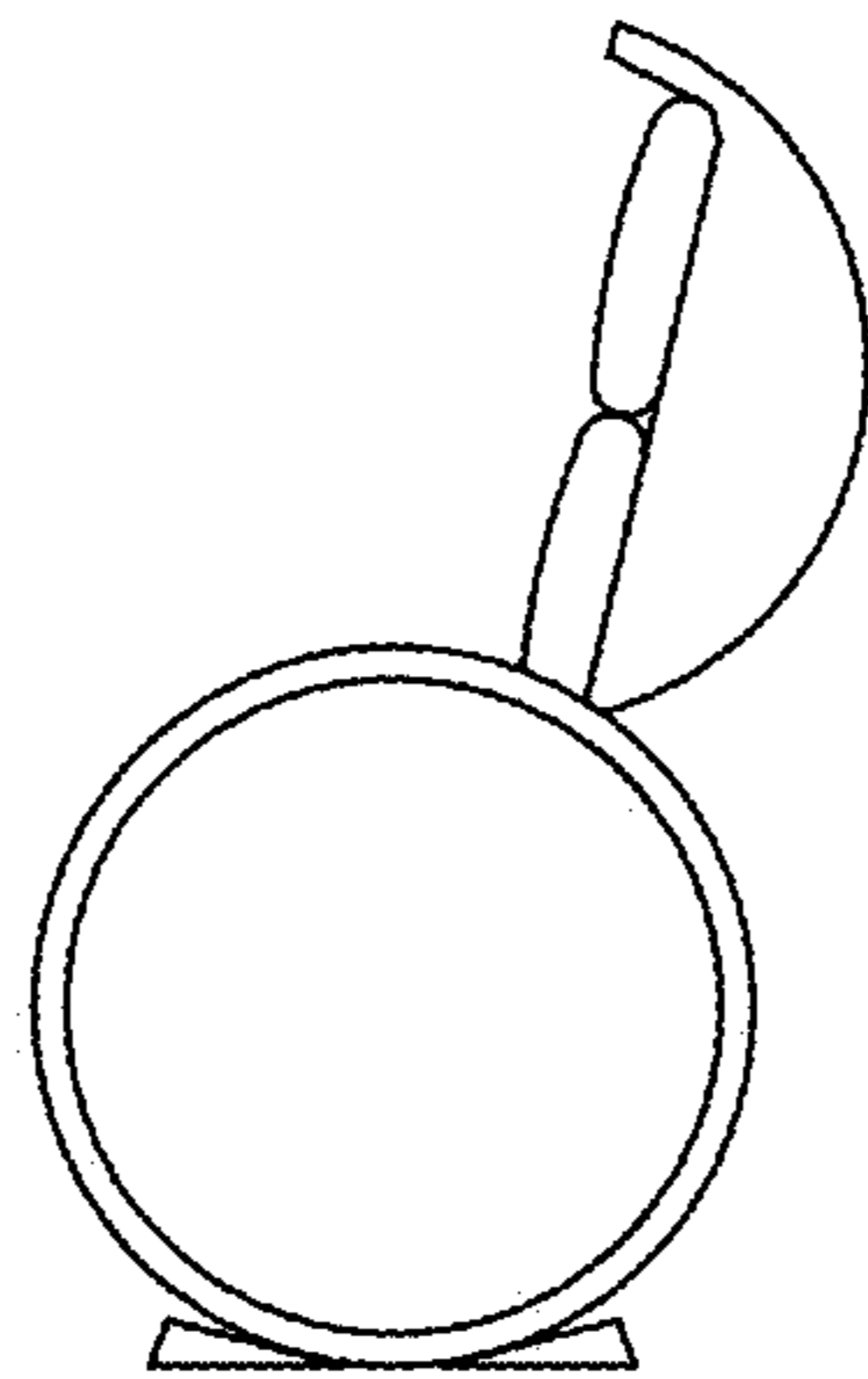


FIG. 13

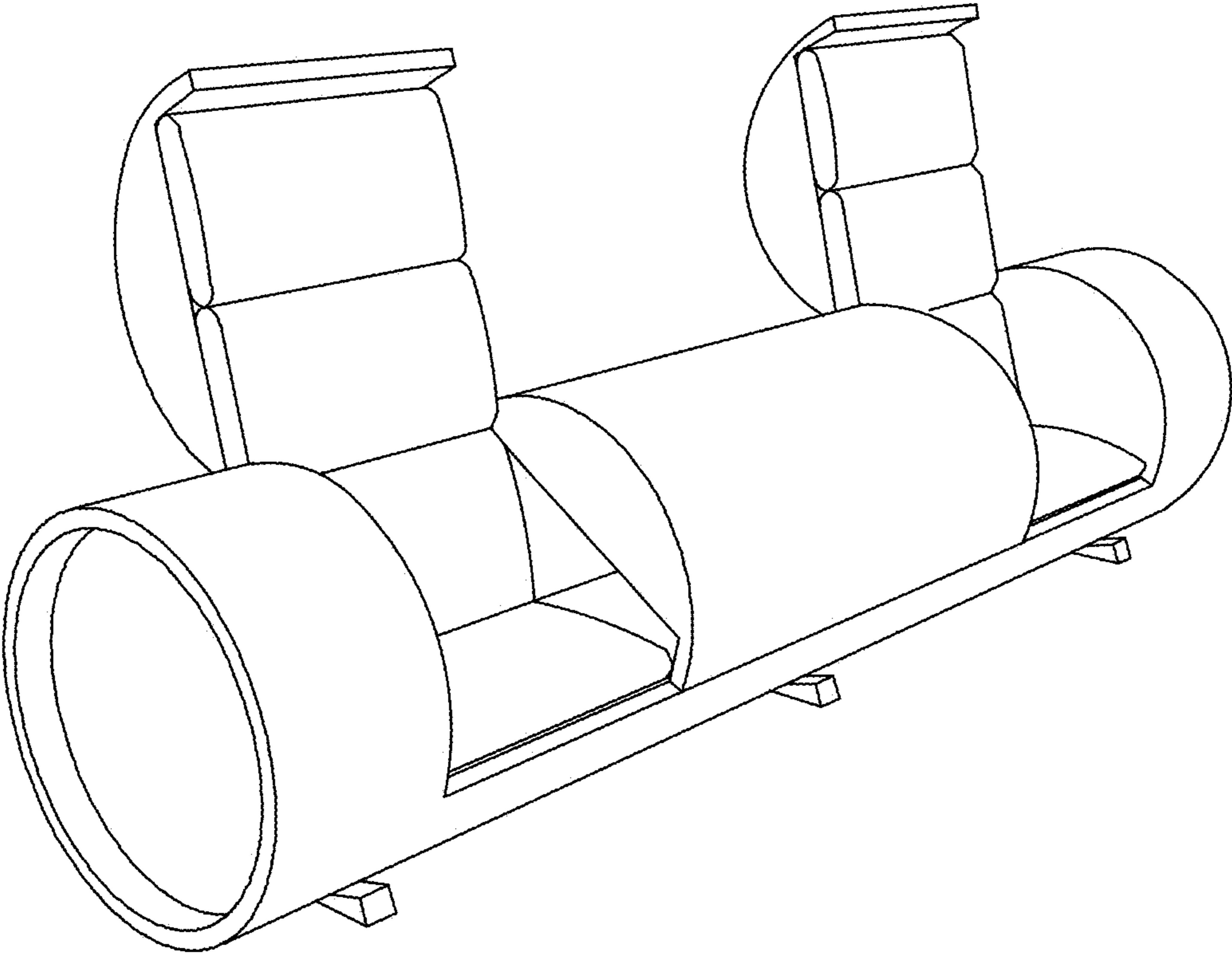


FIG. 14

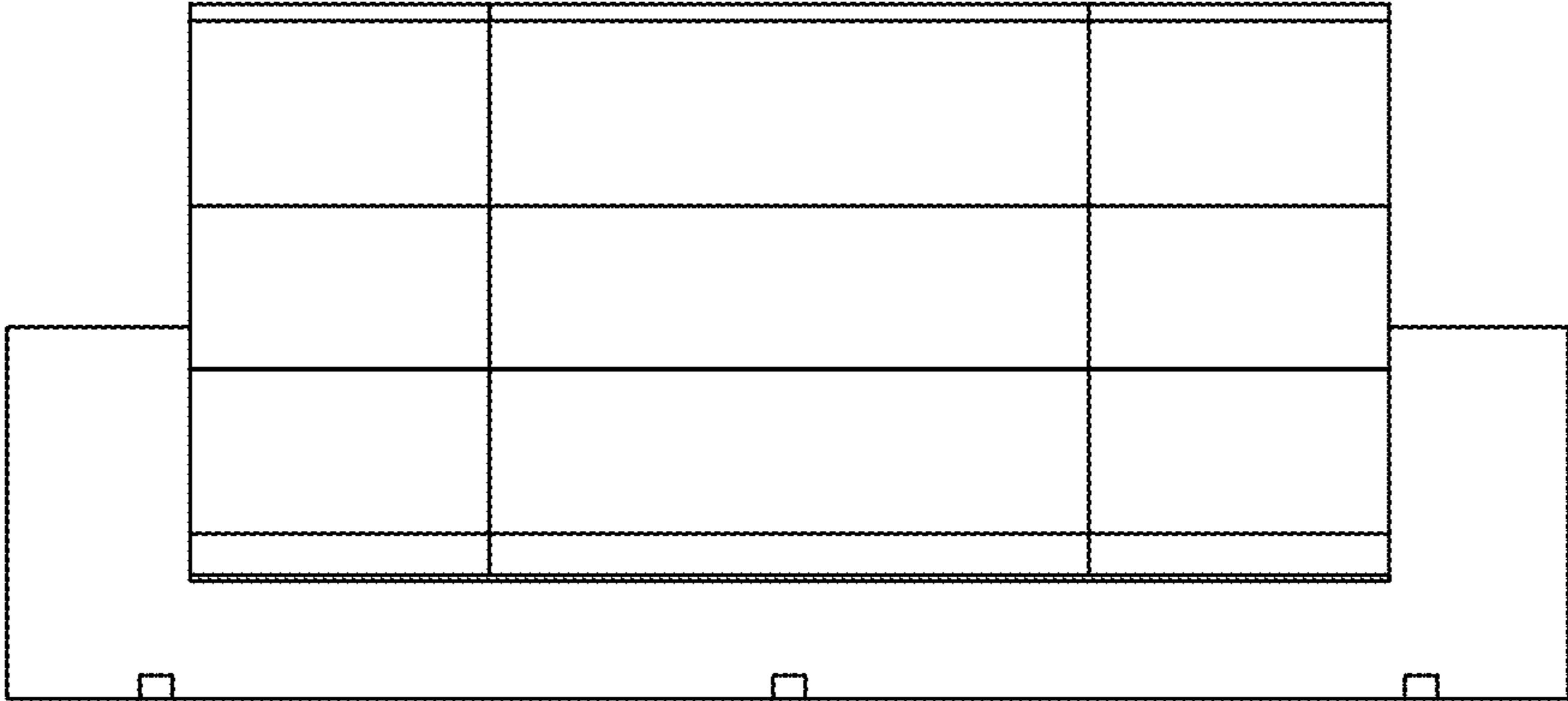


FIG. 15

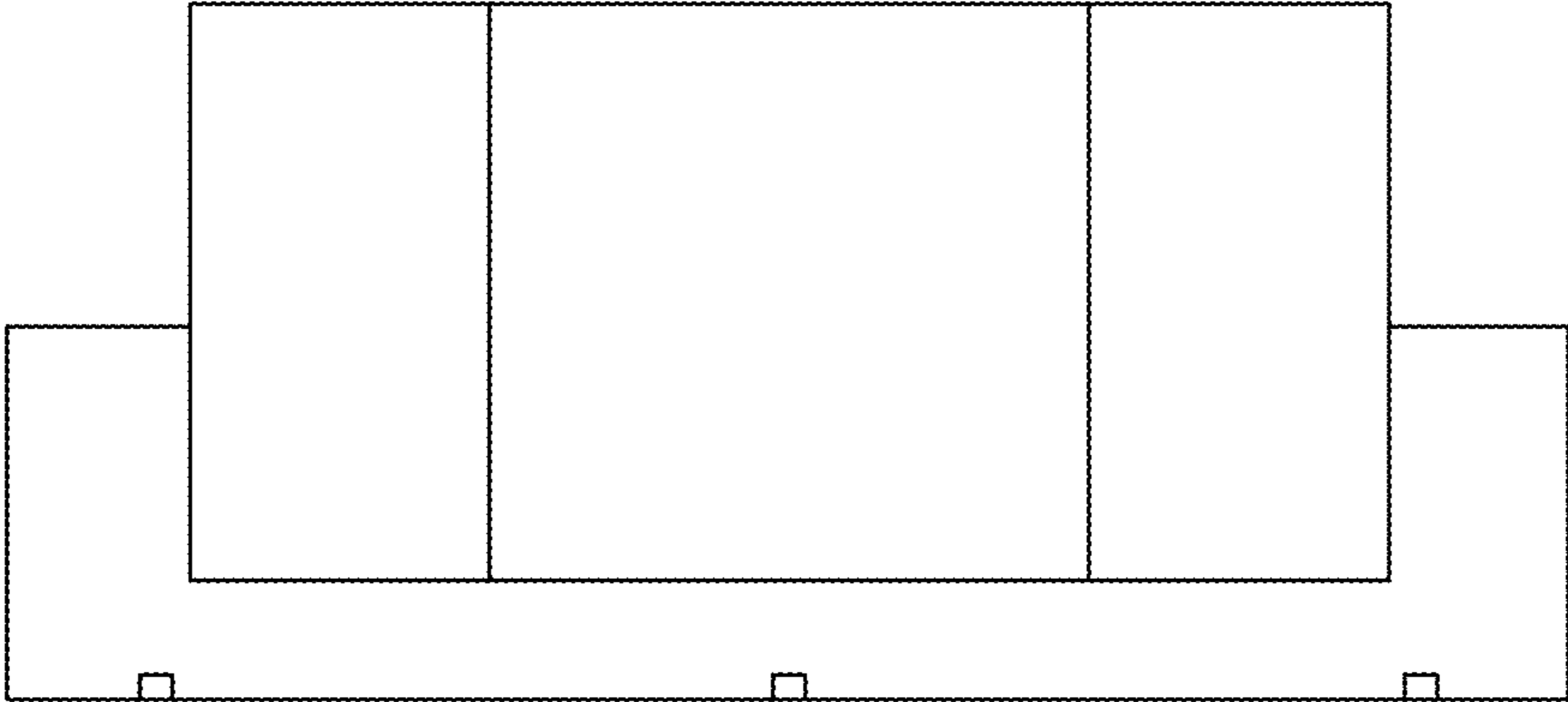


FIG. 16

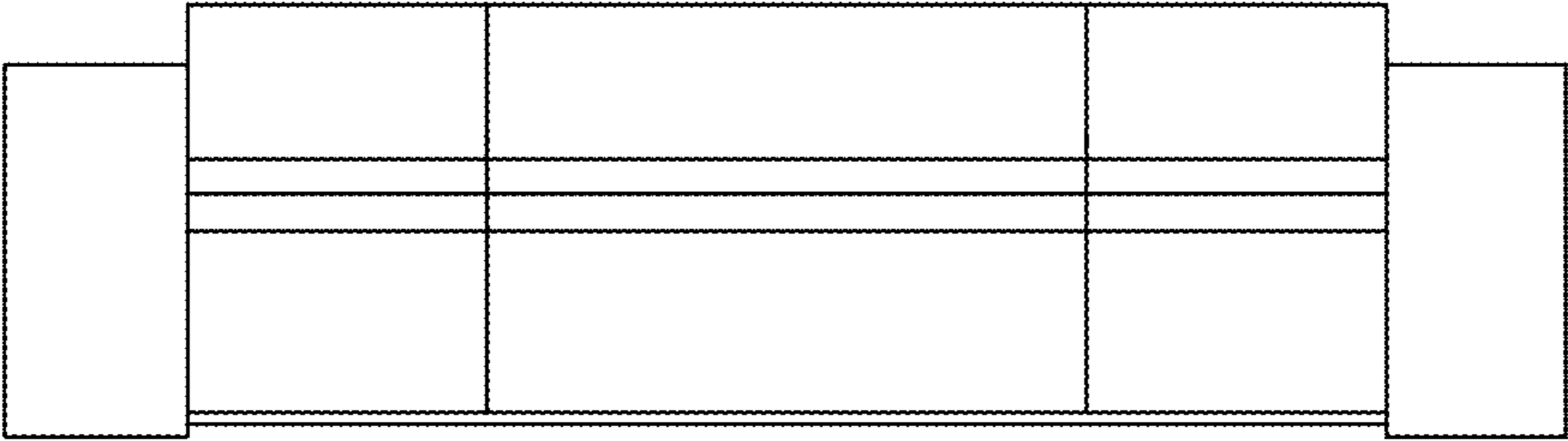


FIG. 17

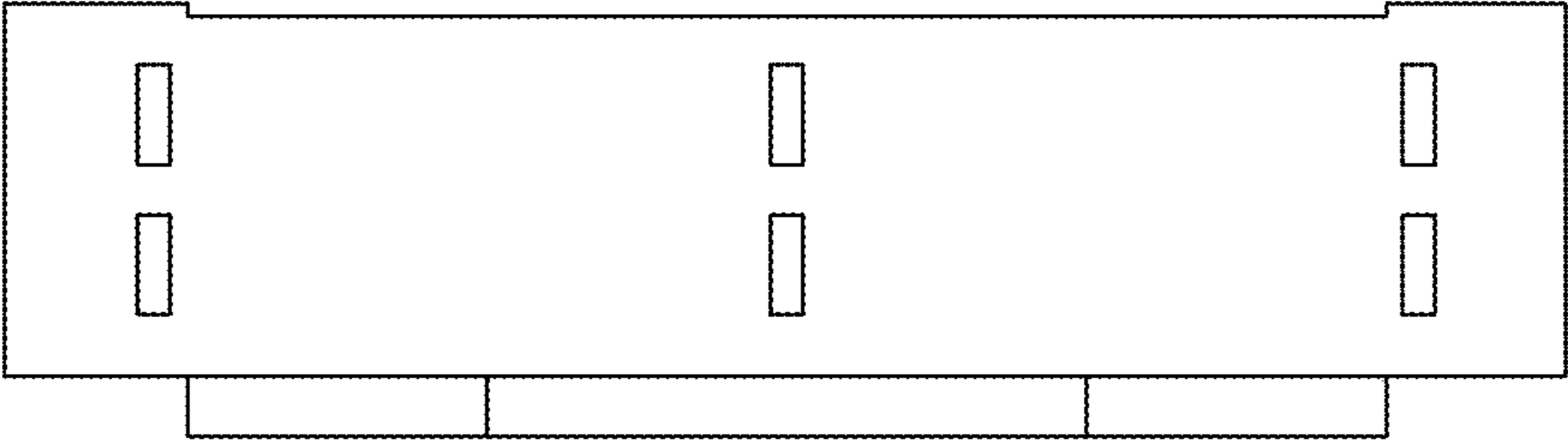


FIG. 18

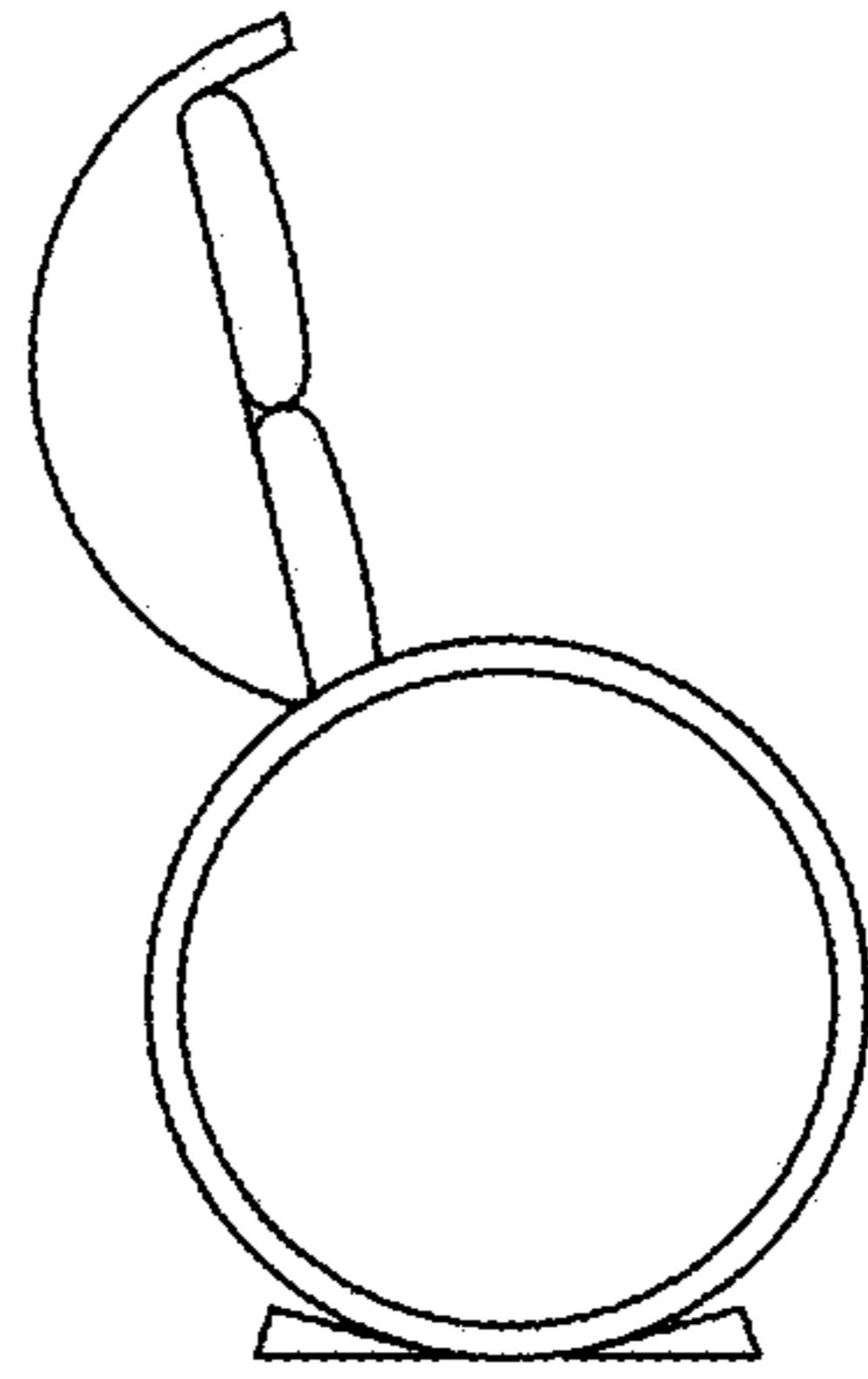


FIG. 19

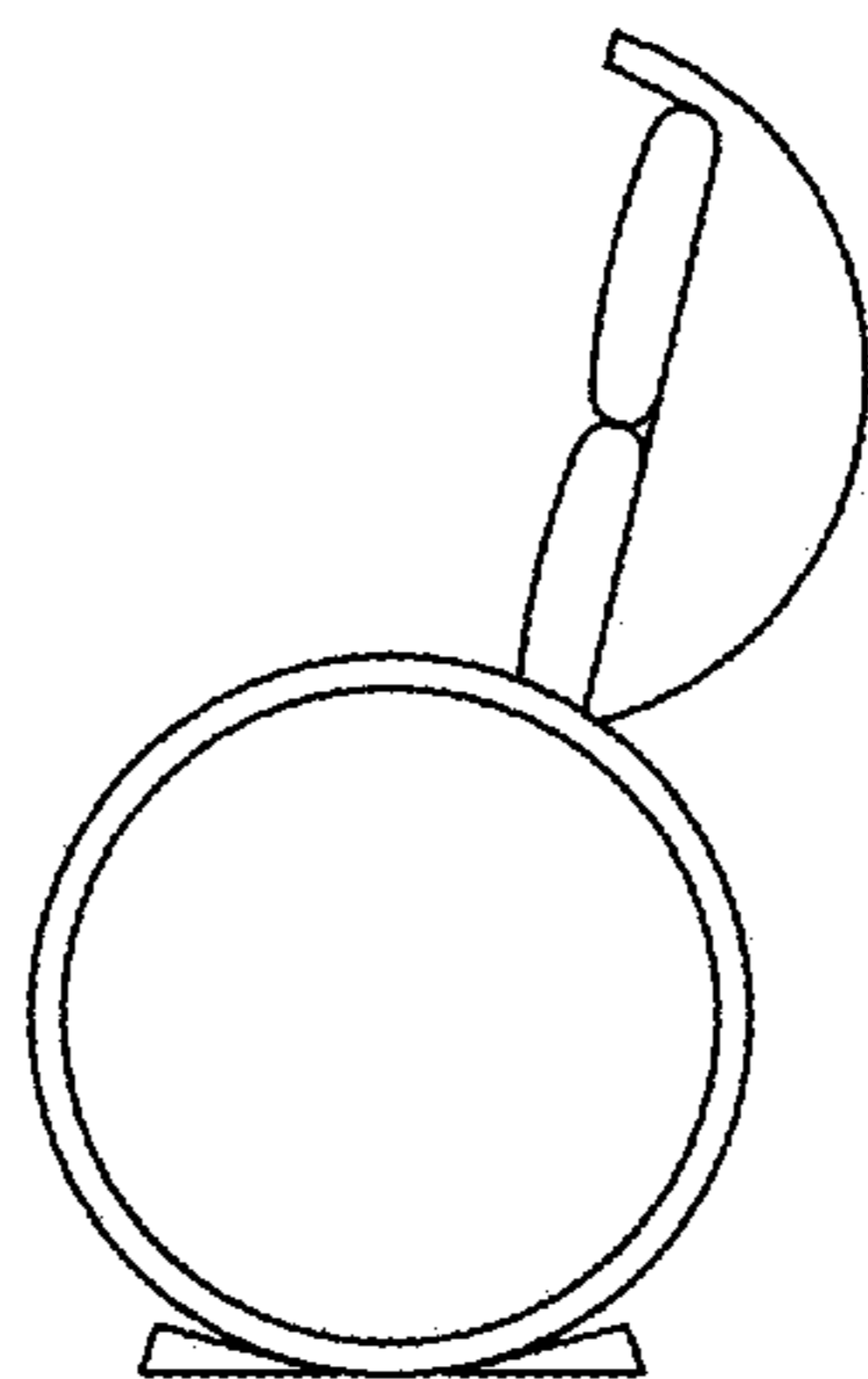


FIG. 20

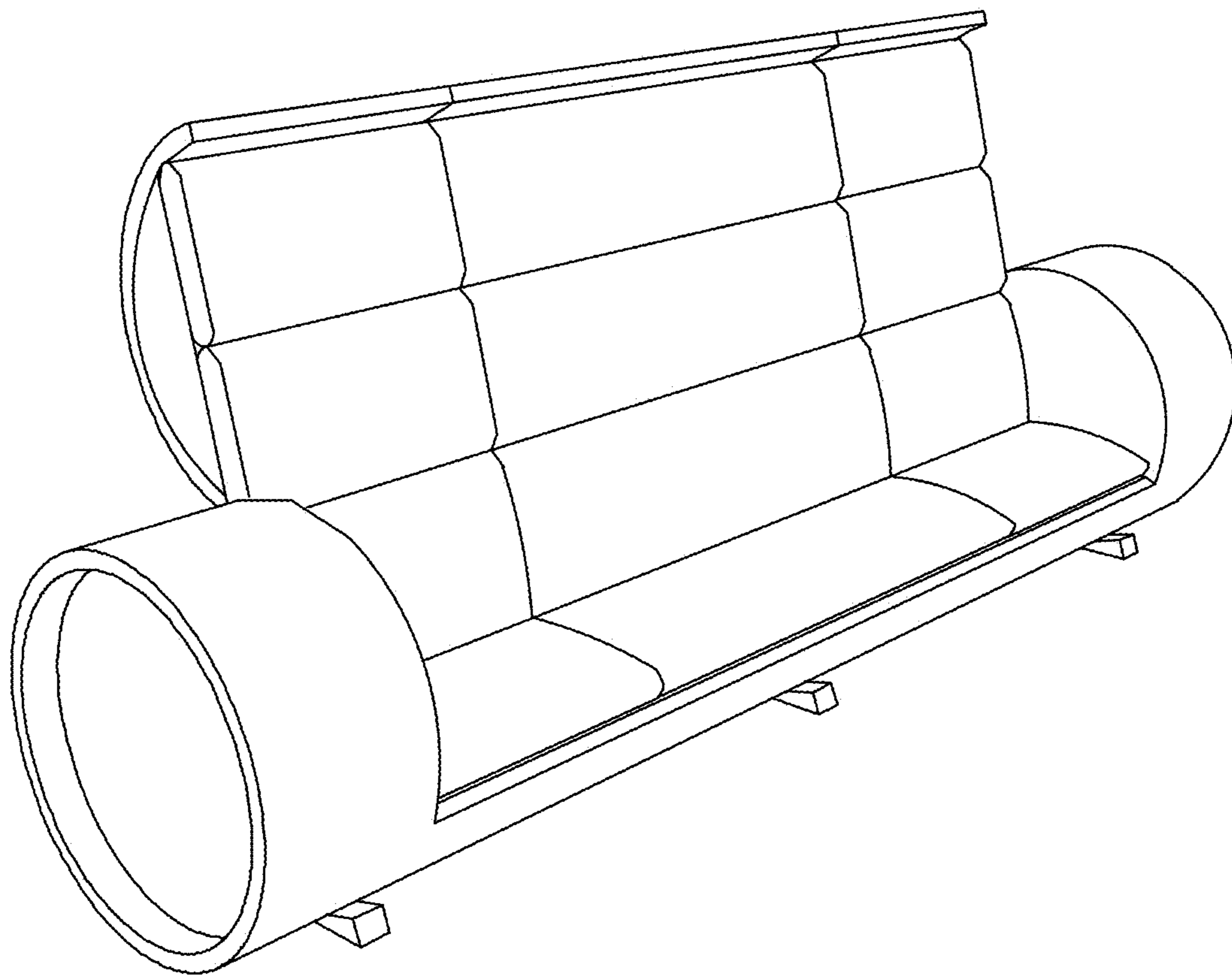


FIG. 21

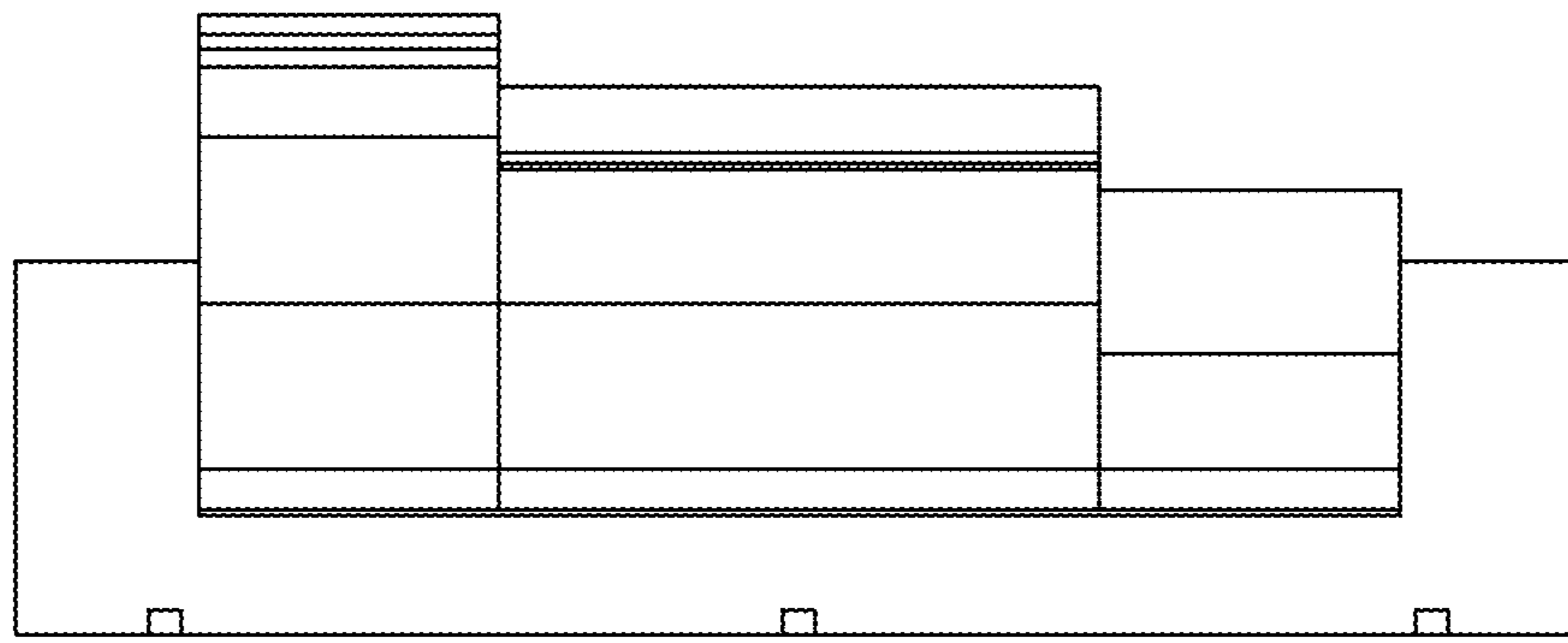


FIG. 22

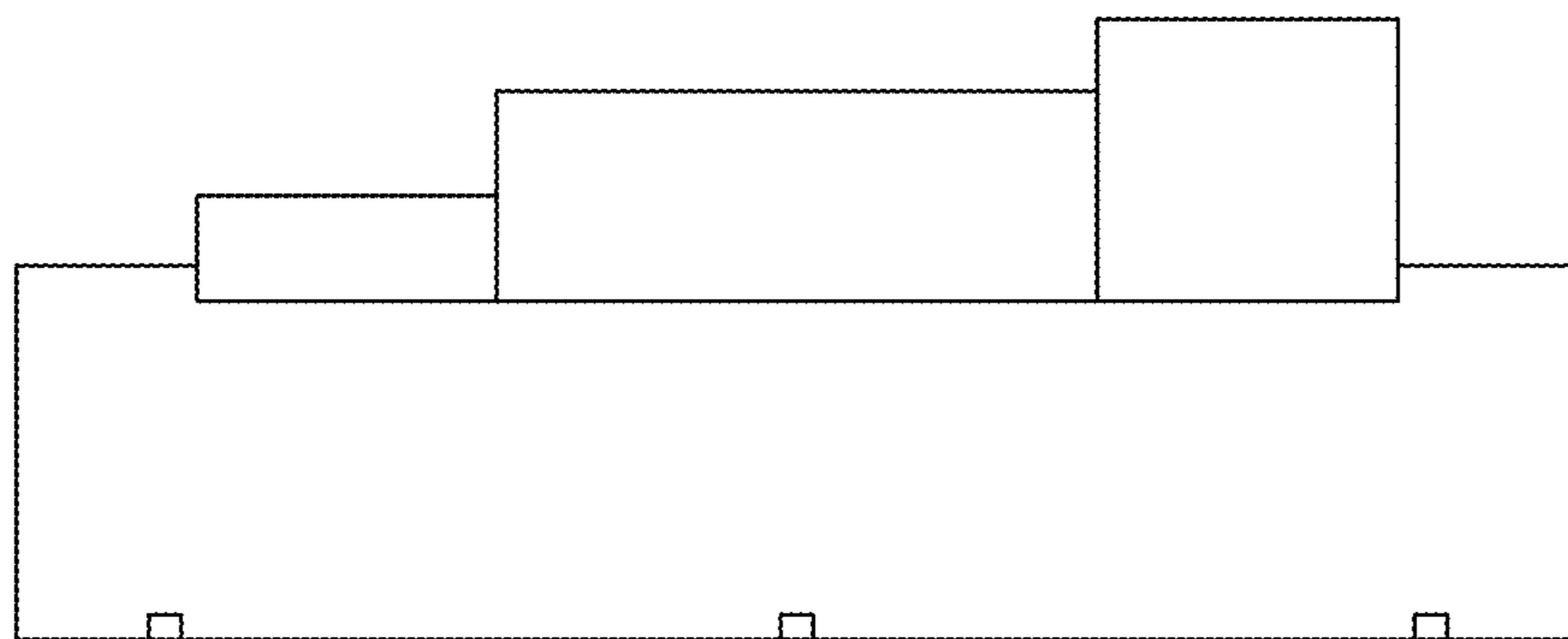


FIG. 23

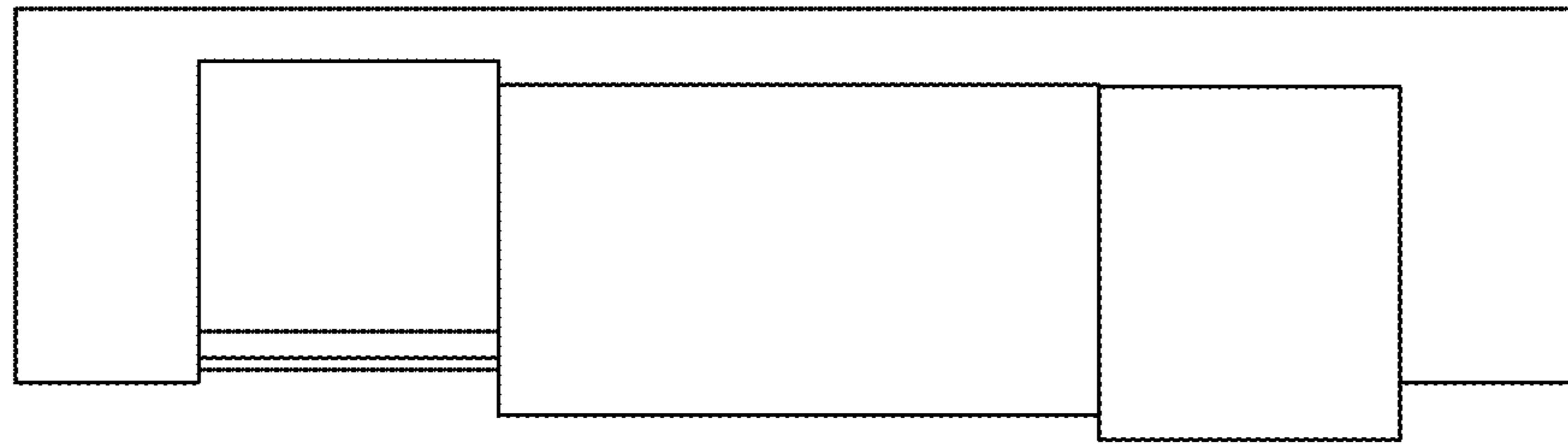


FIG. 24

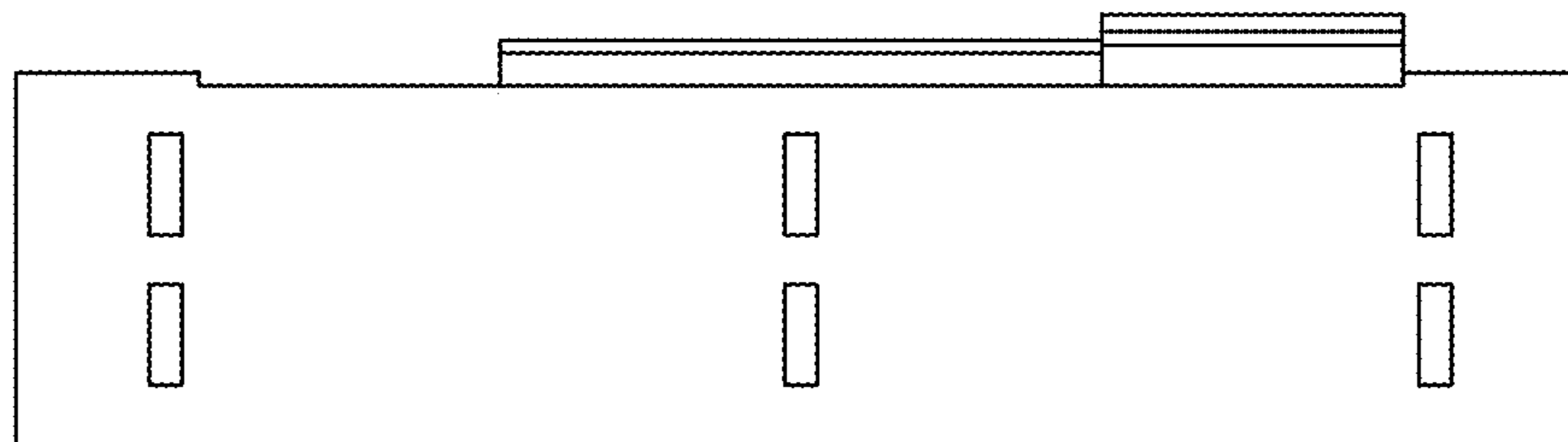


FIG. 25

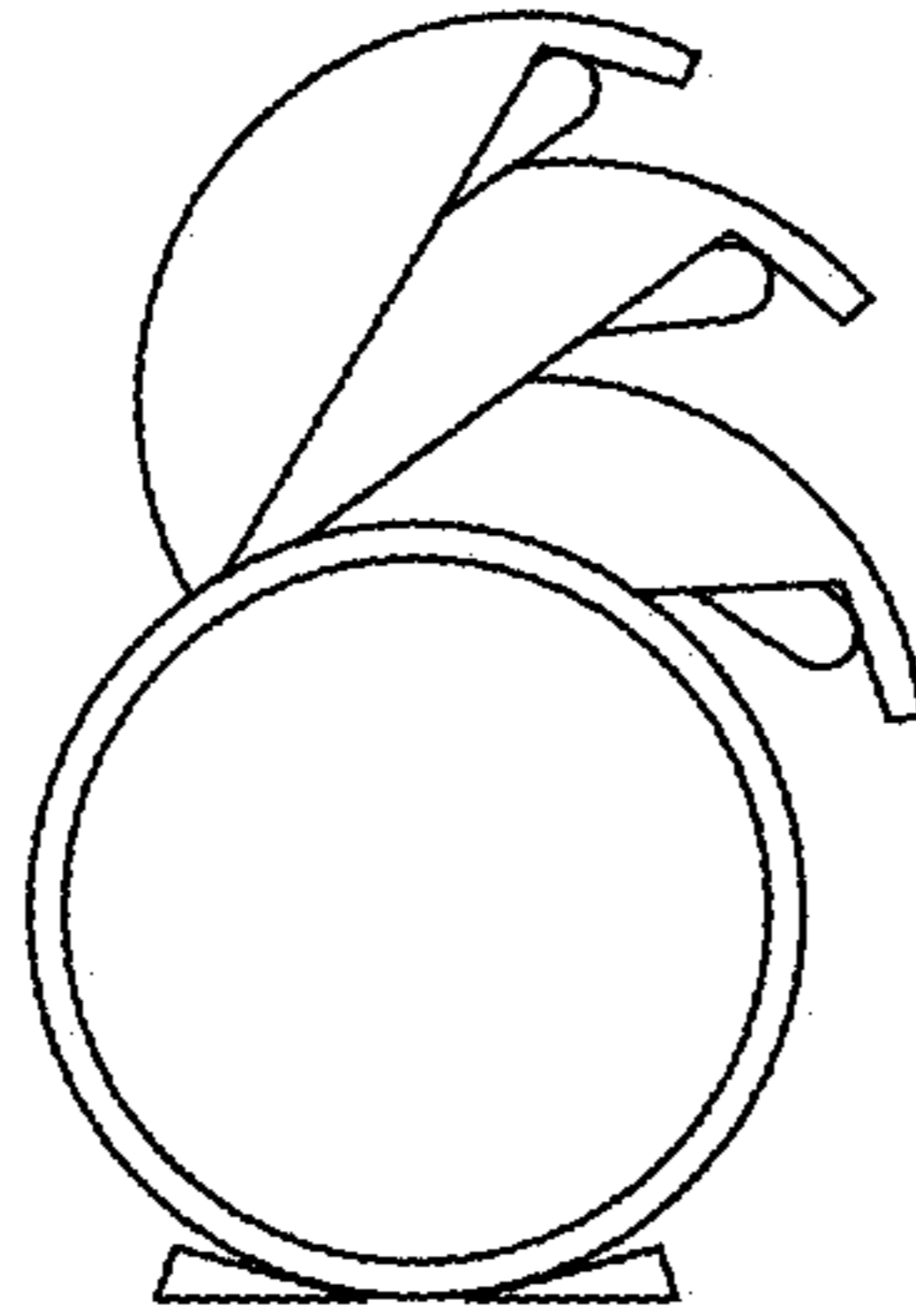


FIG. 26

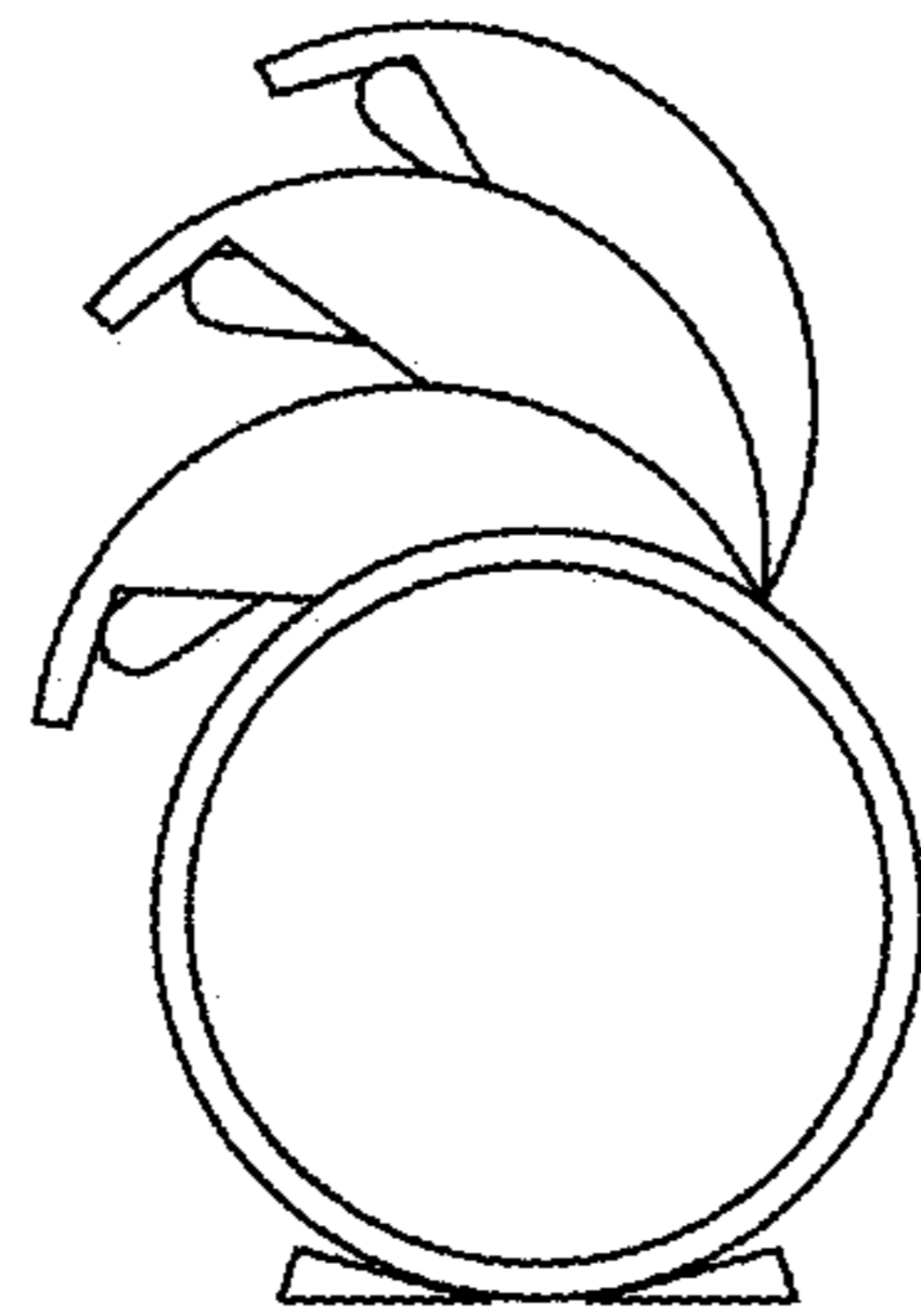


FIG. 27

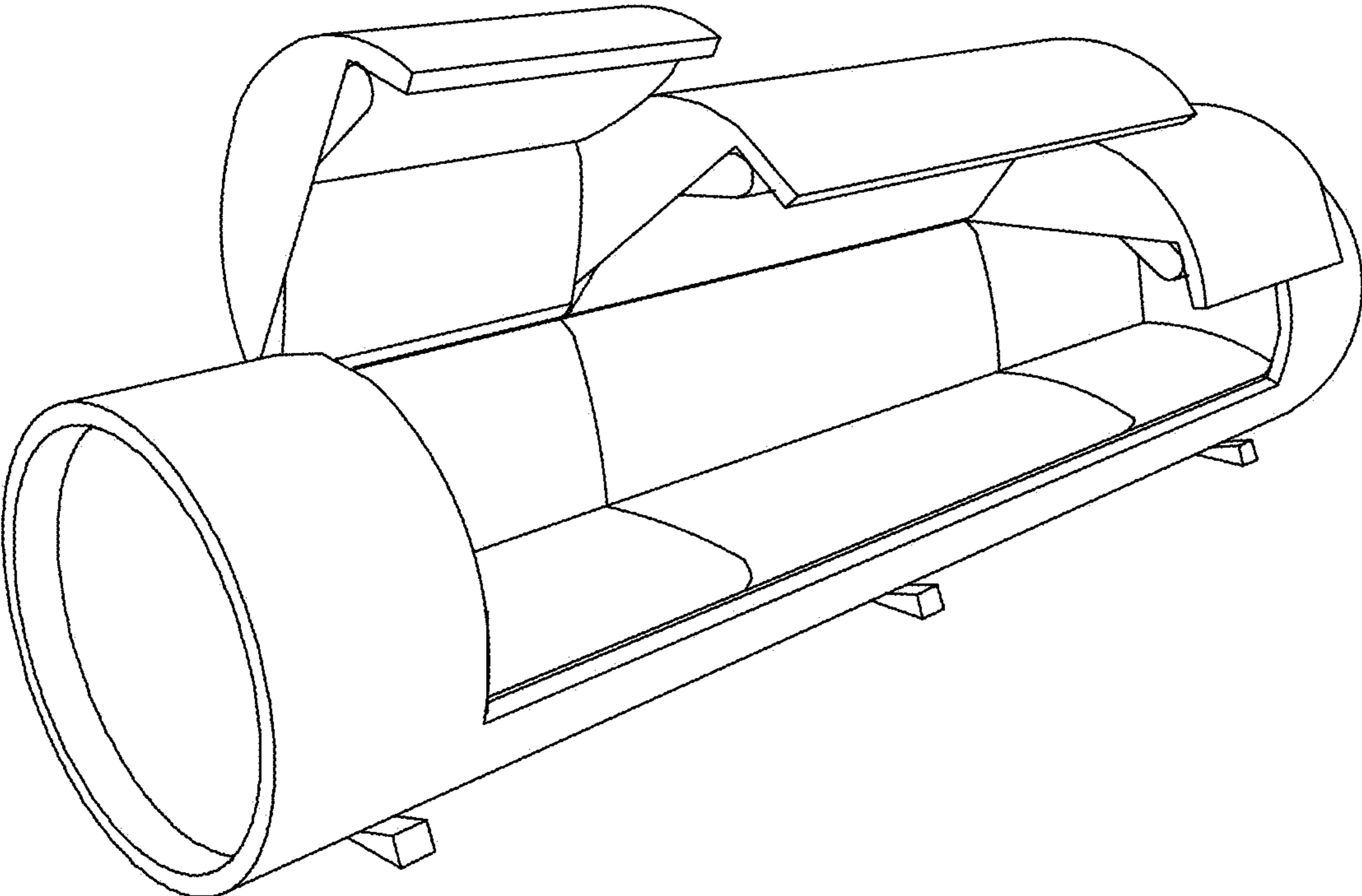


FIG. 28