



US00D719368S

(12) **United States Design Patent**  
**Karasek**

(10) **Patent No.:** **US D719,368 S**

(45) **Date of Patent:** **\*\* Dec. 16, 2014**

(54) **PARK BENCH ON THE CENTRAL LEG WITH BACKREST AND ARMRESTS**

(71) Applicant: **David Karasek**, Brno (CZ)

(72) Inventor: **David Karasek**, Brno (CZ)

(\*\*) Term: **14 Years**

(21) Appl. No.: **29/492,110**

(22) Filed: **May 28, 2014**

(51) **LOC (10) Cl.** ..... **06-01**

(52) **U.S. Cl.**  
USPC ..... **D6/370**

(58) **Field of Classification Search**  
CPC ..... A47C 11/00; A47C 4/02; A47C 4/03;  
A47C 5/06; A47C 7/16  
USPC ..... D6/334-336, 370, 374, 375, 376, 380,  
D6/381, 716, 716.1, 716.2, 716.3, 716.4;  
297/232, 445.1, 446.1, 411.44, 452.63  
See application file for complete search history.

(56) **References Cited**

**U.S. PATENT DOCUMENTS**

753,778 A \* 3/1904 Wolf ..... A47C 11/00  
763,617 A \* 6/1904 Lennon ..... A47C 11/00  
1,721,601 A \* 7/1929 McClure ..... A47C 11/00

3,511,536 A \* 5/1970 Suzuki ..... A47C 4/03  
D299,595 S \* 1/1989 Shields ..... D6/335  
D386,012 S \* 11/1997 Skalka ..... D6/370  
6,299,251 B1 \* 10/2001 Harper ..... A47C 11/00  
D482,885 S \* 12/2003 Chipman ..... D6/370  
D498,079 S \* 11/2004 Messier ..... D6/381

\* cited by examiner

*Primary Examiner* — Mimoso De

(74) *Attorney, Agent, or Firm* — Ostrolenk Faber LLP

(57) **CLAIM**

The ornamental design for a park bench on the central leg with backrest and armrests, as shown.

**DESCRIPTION**

FIG. 1 is a front, perspective view of a park bench on the central leg with backrest and armrests showing our new design;

FIG. 2 is a left side view thereof;

FIG. 3 is a right side view thereof;

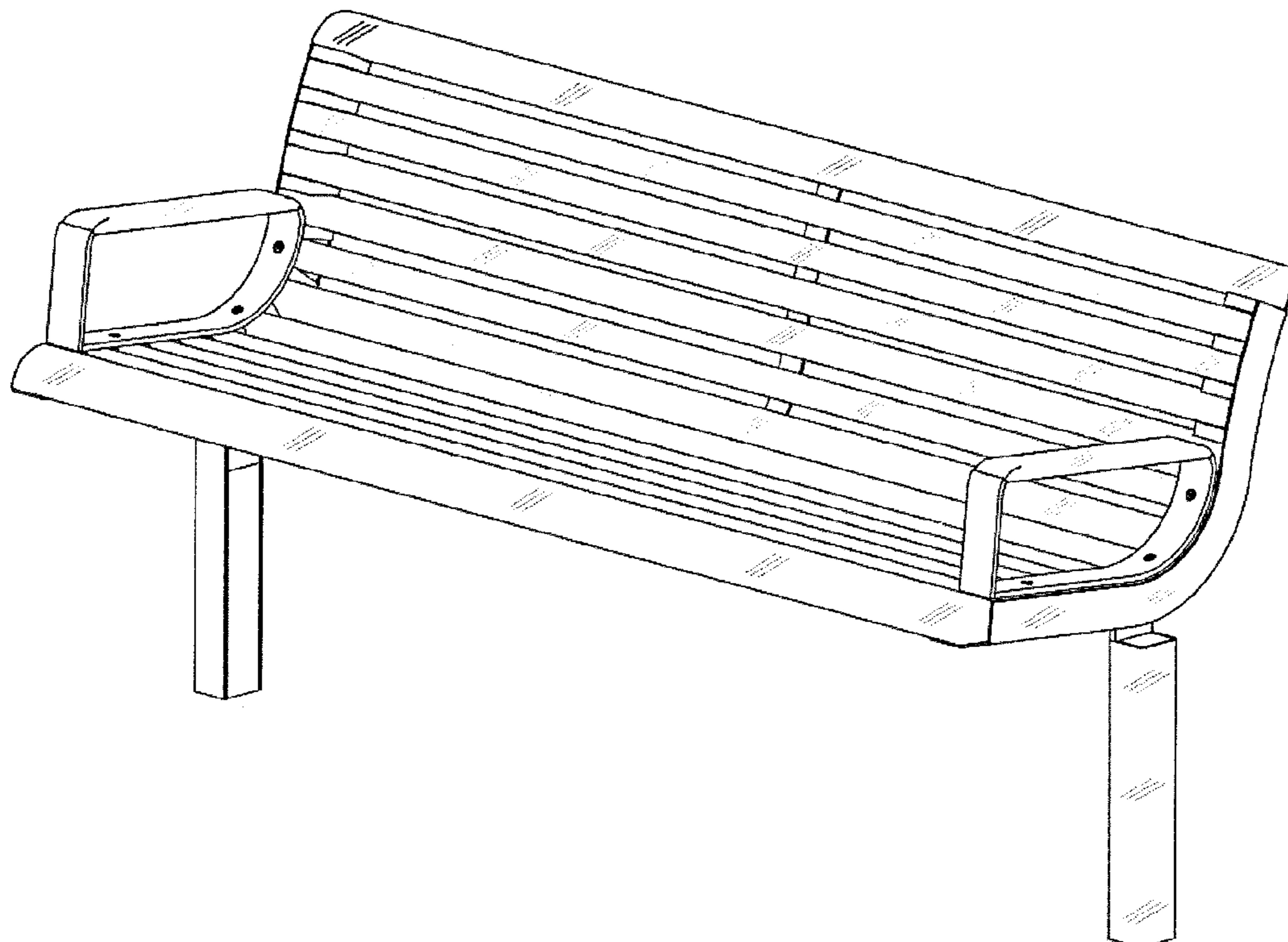
FIG. 4 is a front view thereof;

FIG. 5 is a rear view thereof;

FIG. 6 is a bottom view thereof; and,

FIG. 7 is a top view thereof.

**1 Claim, 5 Drawing Sheets**



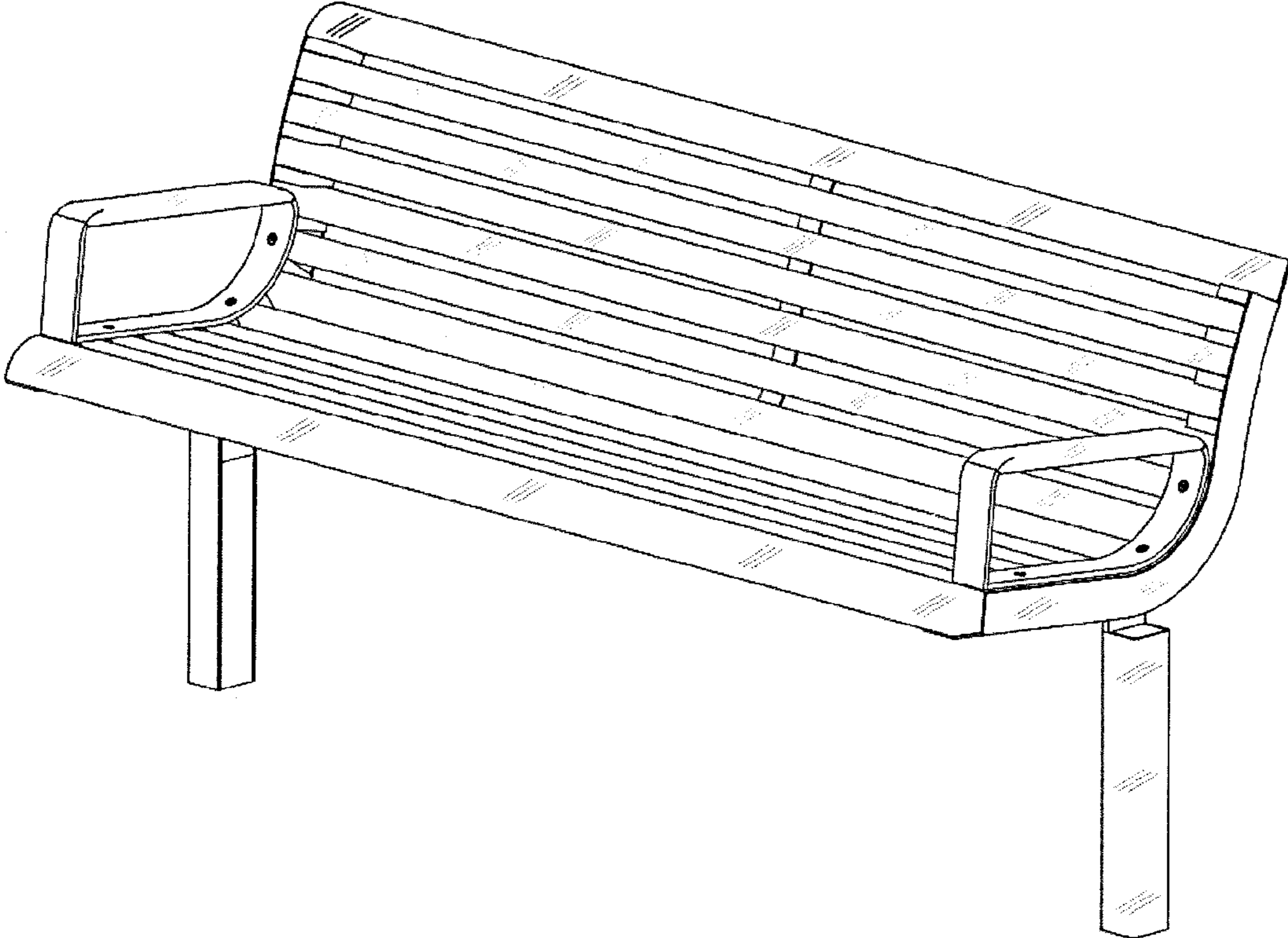


FIG. 1

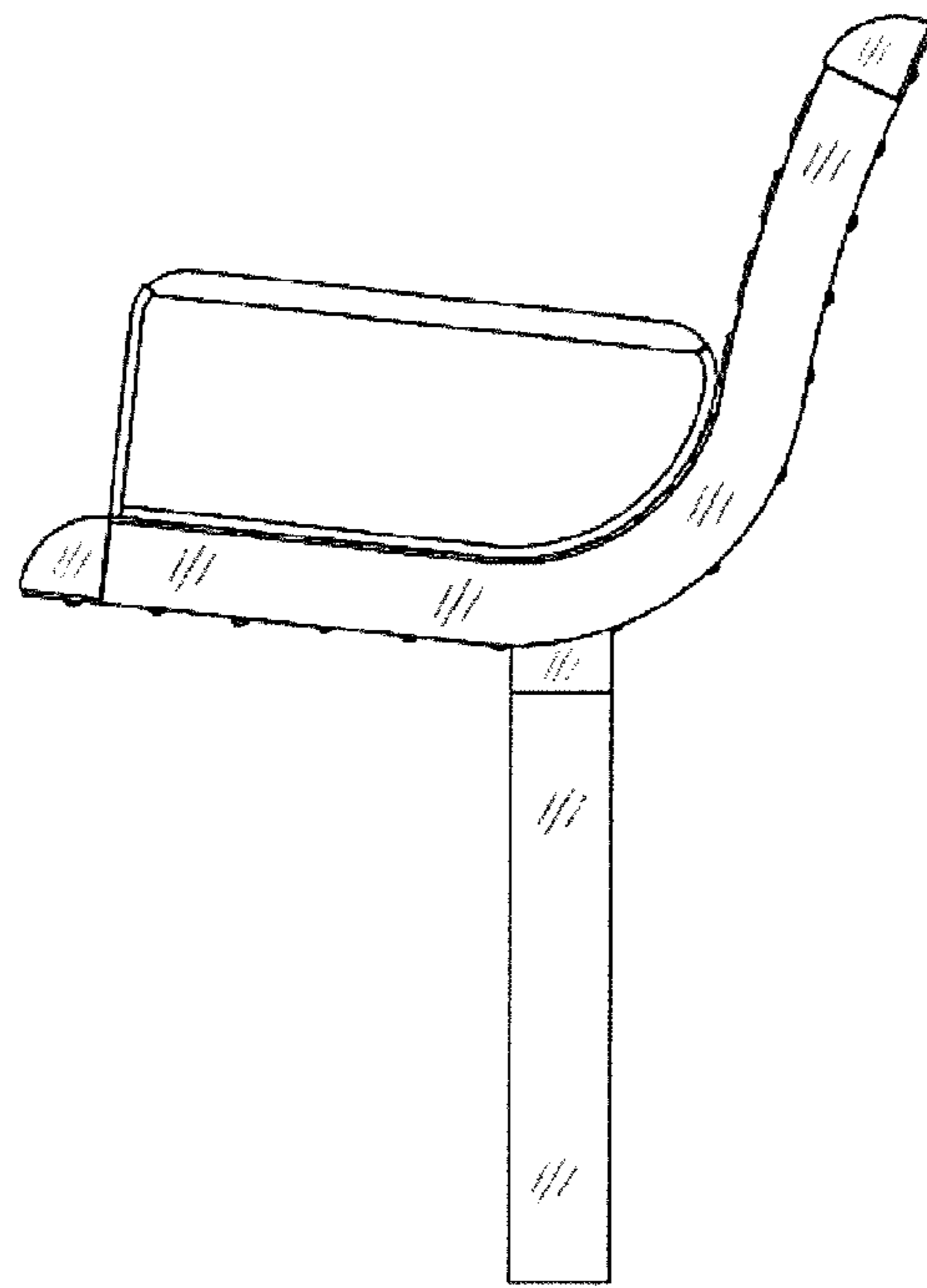


FIG. 2

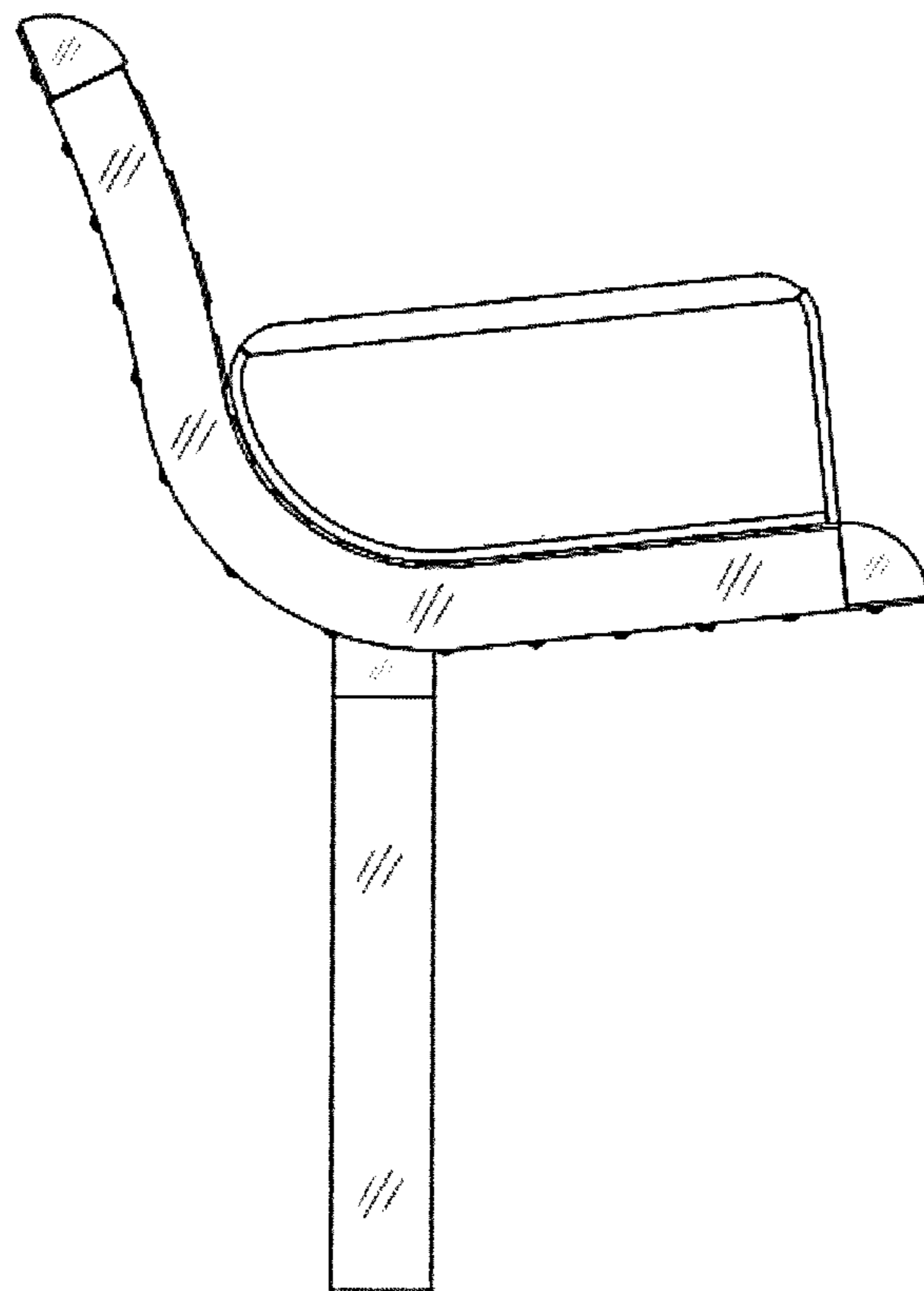


FIG. 3

FIG. 4

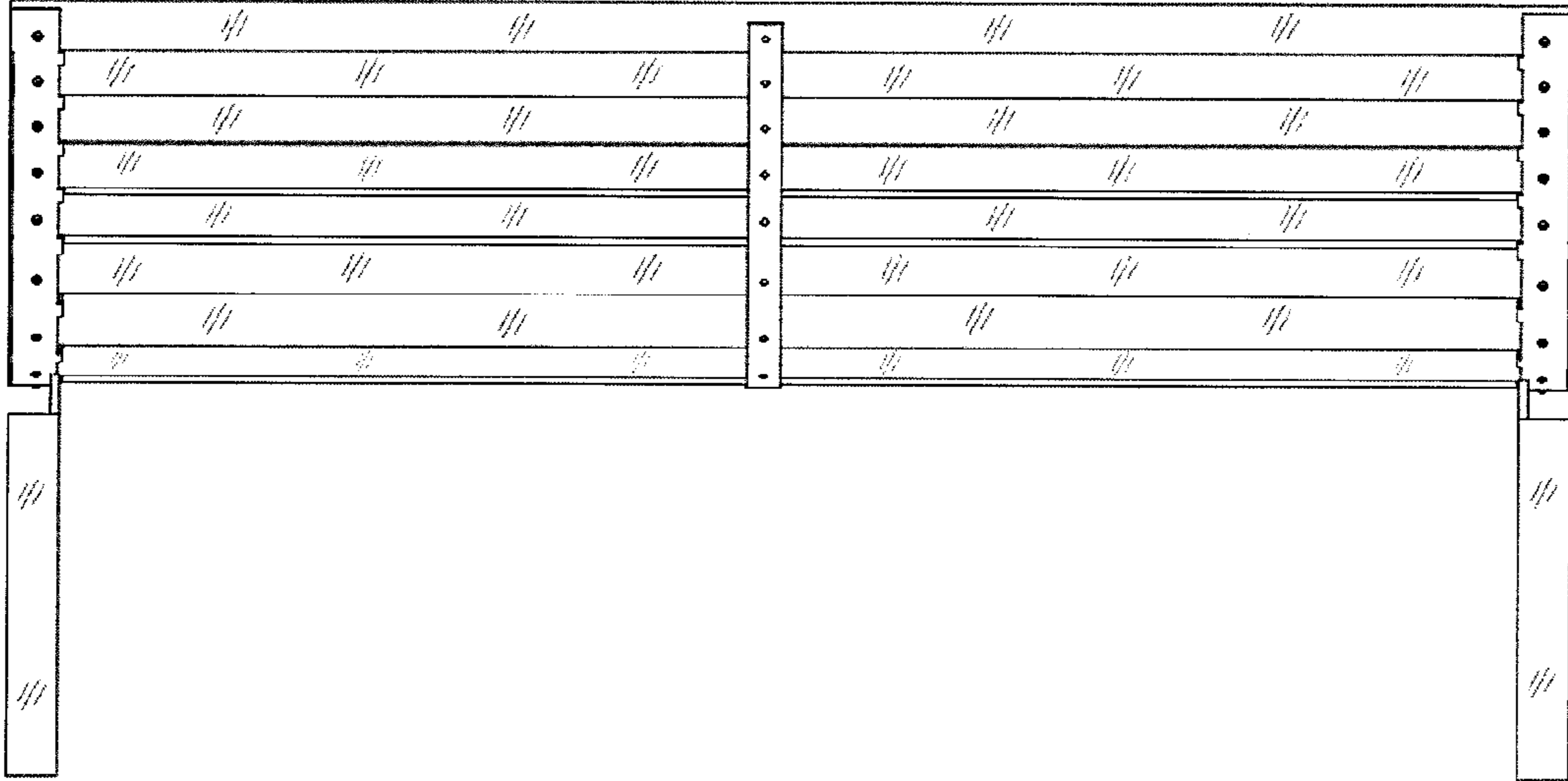
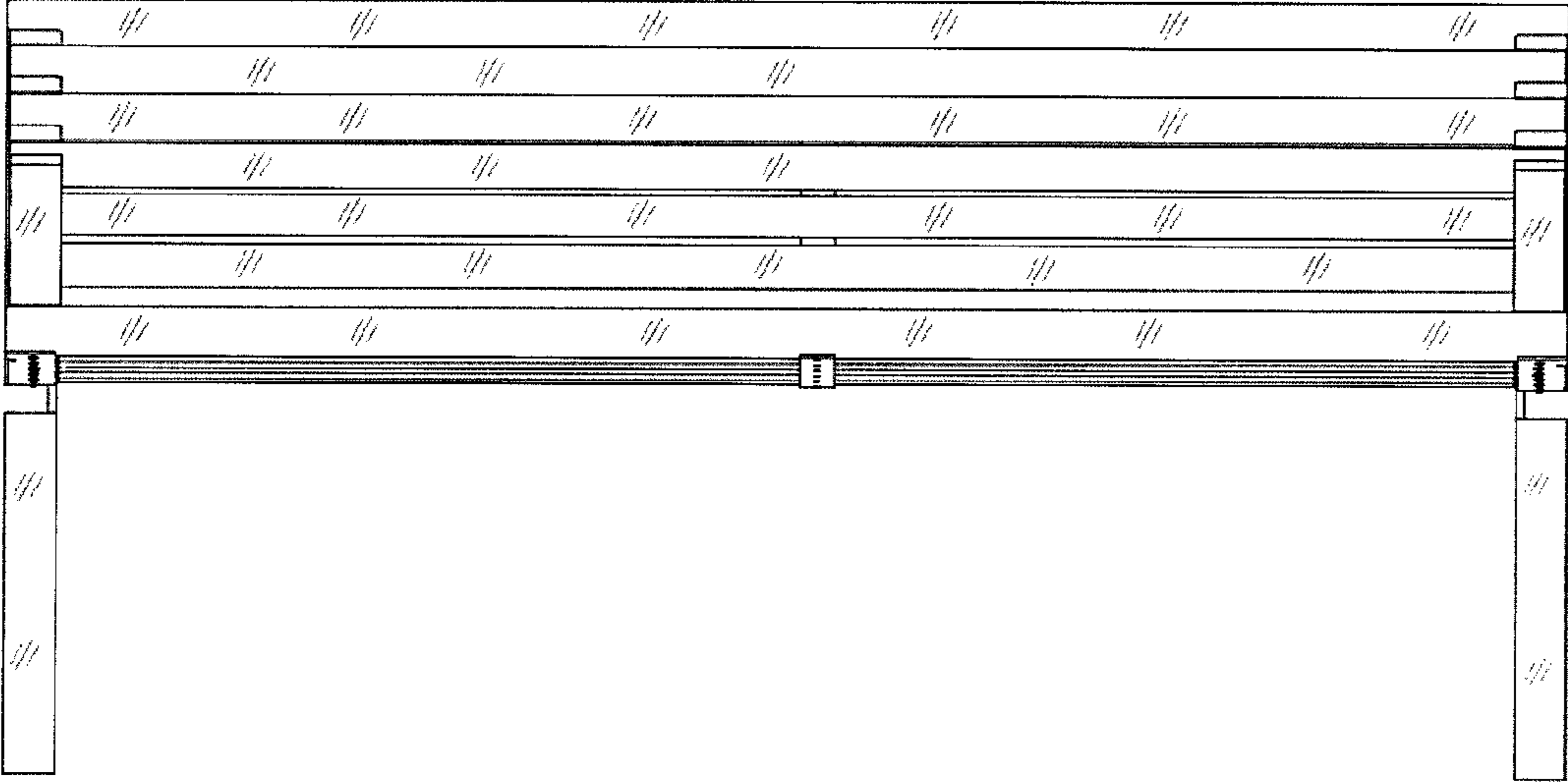


FIG. 5

FIG. 6

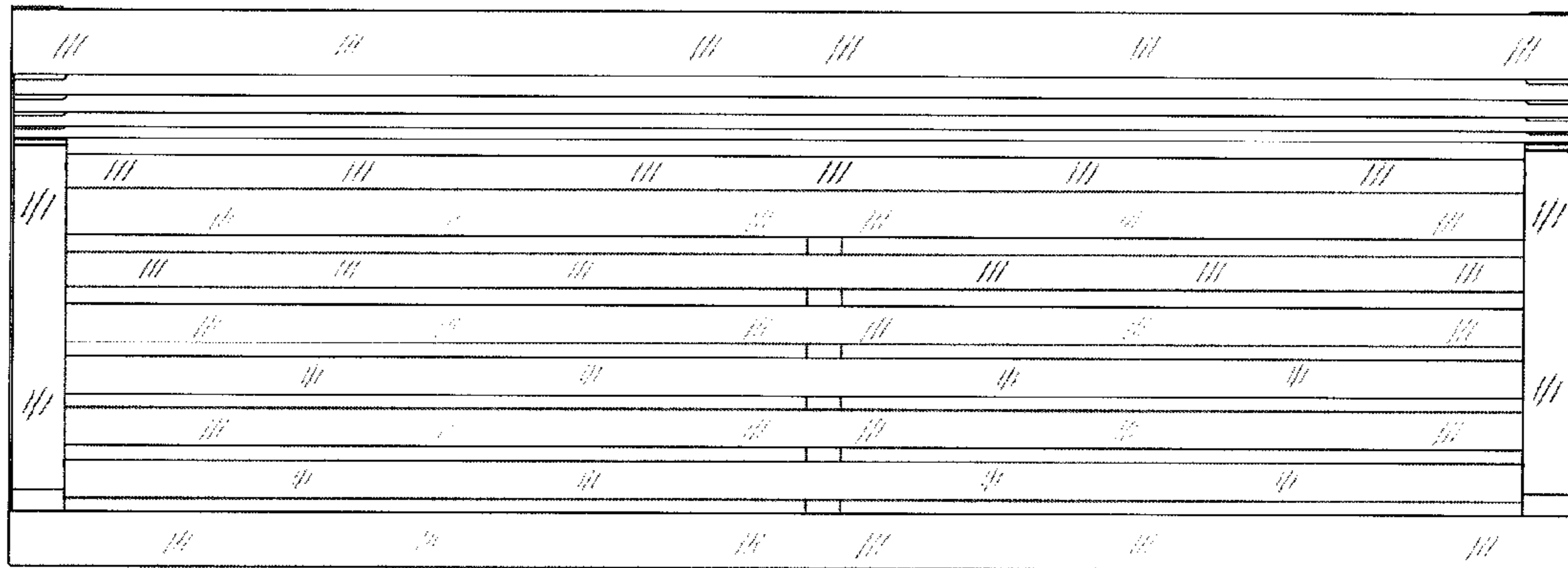
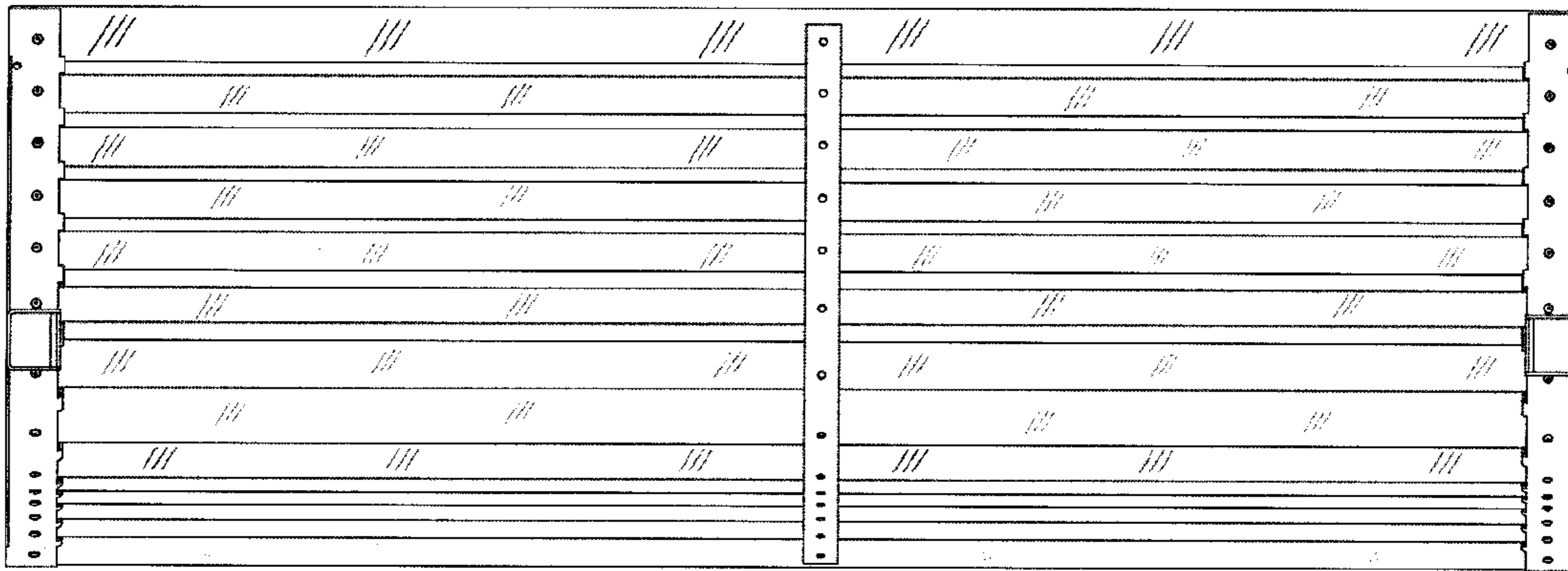


FIG. 7