



US00D719366S

(12) **United States Design Patent**  
**Fowler**

(10) **Patent No.:** **US D719,366 S**

(45) **Date of Patent:** **\*\* Dec. 16, 2014**

(54) **CHAIR**

(71) Applicant: **Gerald Fowler**, Milford, MI (US)

(72) Inventor: **Gerald Fowler**, Milford, MI (US)

(\*\*) Term: **14 Years**

(21) Appl. No.: **29/457,581**

(22) Filed: **Jun. 11, 2013**

(51) **LOC (10) Cl.** ..... **06-01**

(52) **U.S. Cl.**  
USPC ..... **D6/370**

(58) **Field of Classification Search**  
CPC ..... A47C 4/08; A47C 4/12; A47C 4/16;  
A47C 1/026; A47C 4/02; A47C 4/03; A47C  
7/16; A47C 7/68  
USPC ..... D6/334-336, 368, 370, 374, 379, 380,  
D6/716, 716.1, 716.2, 716.3, 716.4;  
297/31, 377, 411.43, 440.15, 445.1,  
297/452.63

See application file for complete search history.

(56) **References Cited**

**U.S. PATENT DOCUMENTS**

D66,525 S \* 1/1925 Wurdack et al. .... D6/374  
D68,027 S \* 8/1925 Wurdack et al. .... D6/370

D78,926 S \* 7/1929 Gottlob ..... D6/370  
D84,585 S \* 7/1931 Ledder et al. .... D6/370  
D148,391 S \* 1/1948 Plourde et al. .... D6/370  
2,490,884 A \* 12/1949 Rau ..... A47C 4/03  
D197,968 S \* 4/1964 Leachman, Jr. .... D6/370  
5,911,469 A \* 6/1999 Young ..... A47C 7/68  
D646,071 S \* 10/2011 Bogdan et al. .... D6/370  
8,167,377 B2 \* 5/2012 Kovach ..... A47C 4/03

\* cited by examiner

*Primary Examiner* — Mimoso De

(74) *Attorney, Agent, or Firm* — The Weintraub Group,  
P.L.C.

(57) **CLAIM**

The ornamental design for a chair, as shown.

**DESCRIPTION**

FIG. 1 is a front isometric view of a chair showing the new design;

FIG. 2 is a front side view;

FIG. 3 is a right side view;

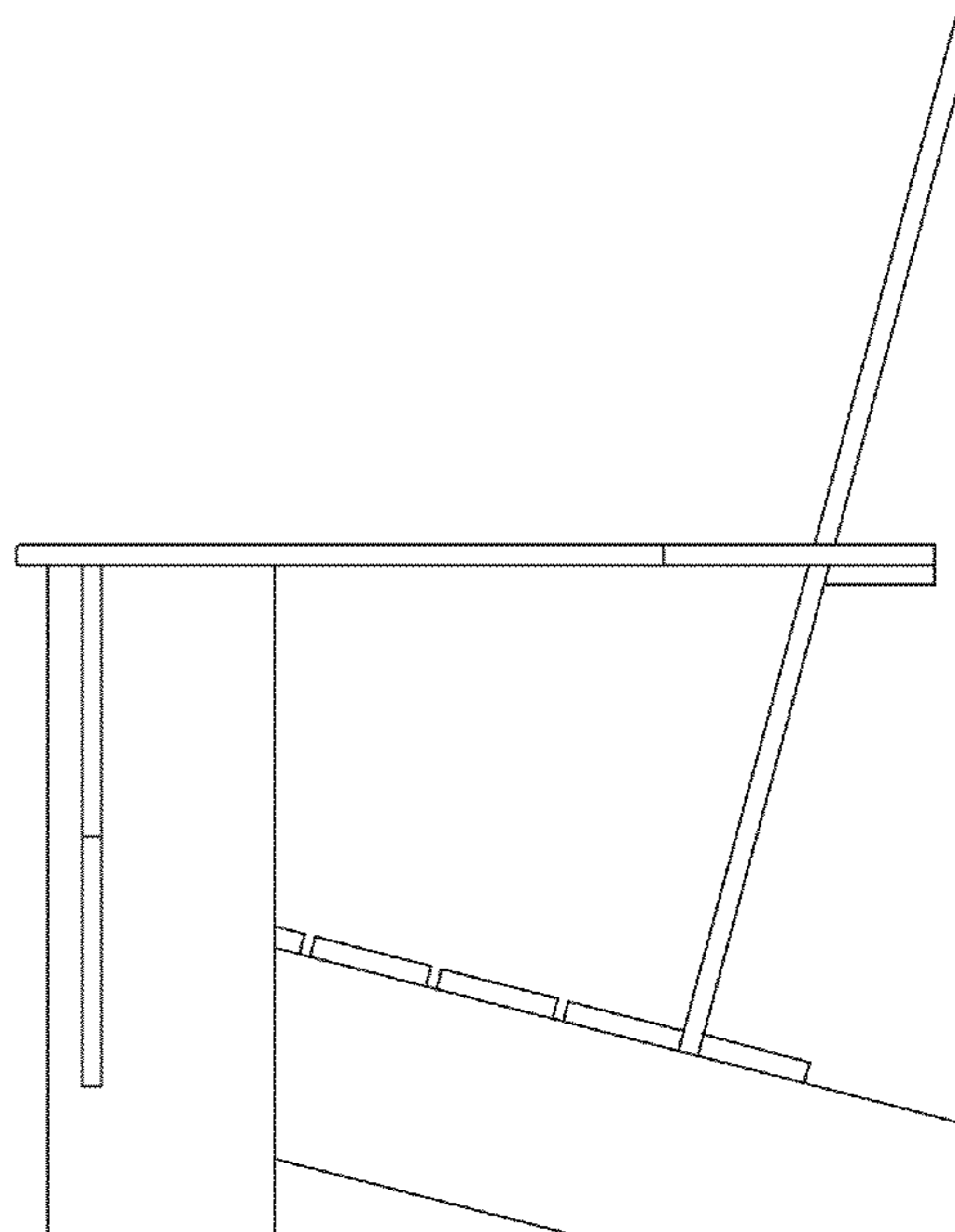
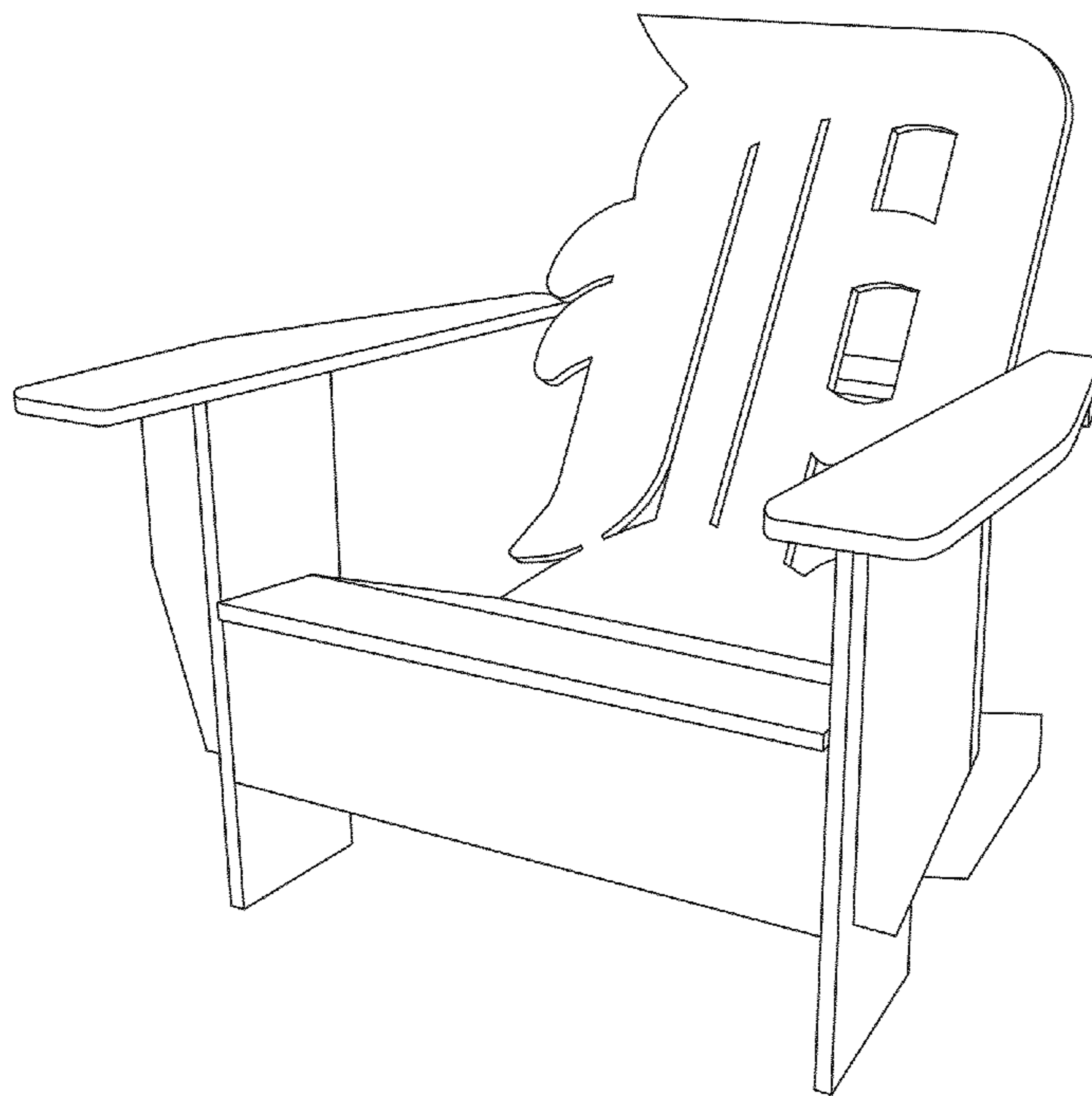
FIG. 4 is a rear side view;

FIG. 5 is a left side view;

FIG. 6 is a top side view; and,

FIG. 7 is a bottom side view.

**1 Claim, 7 Drawing Sheets**



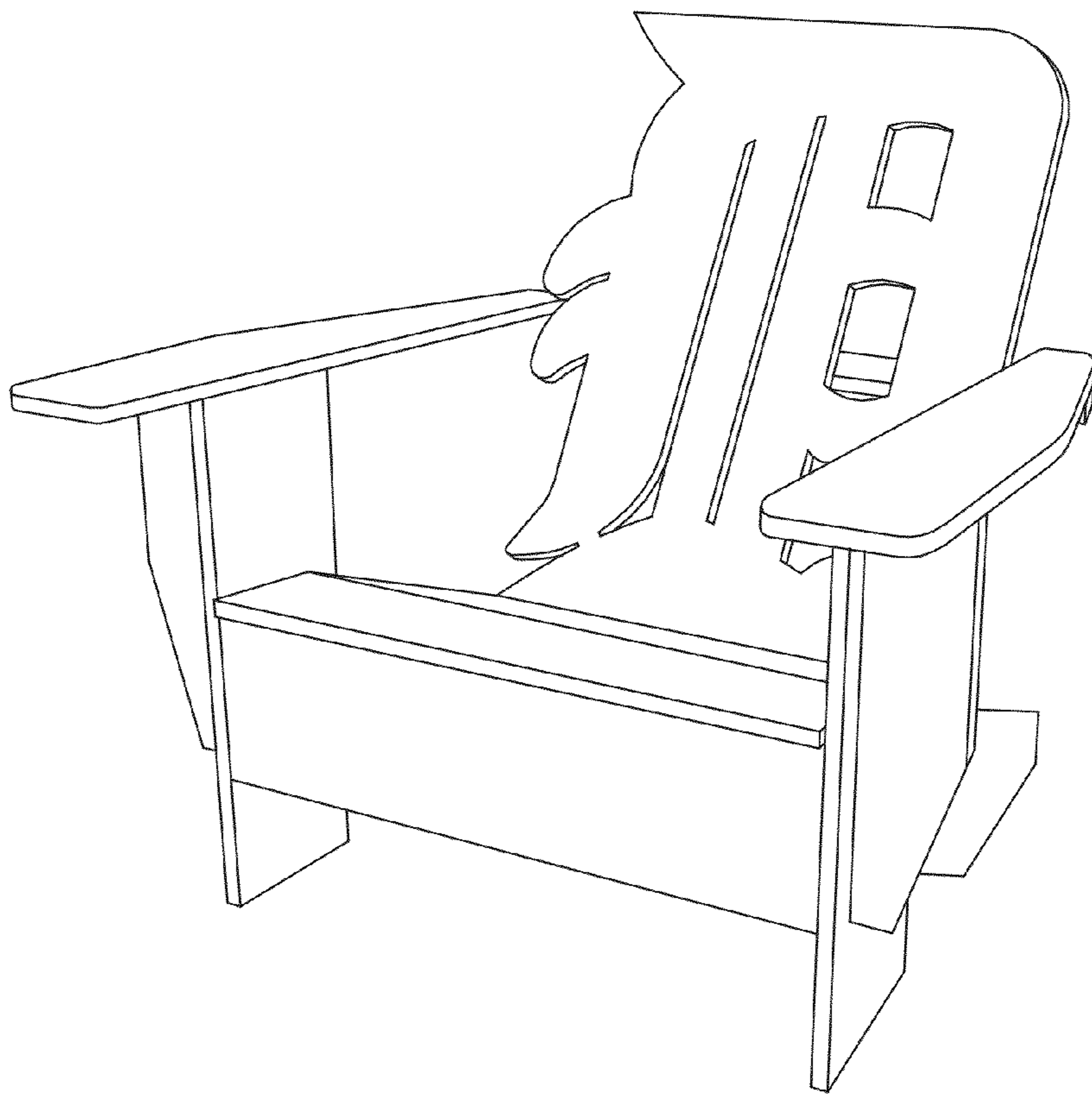


FIG 1

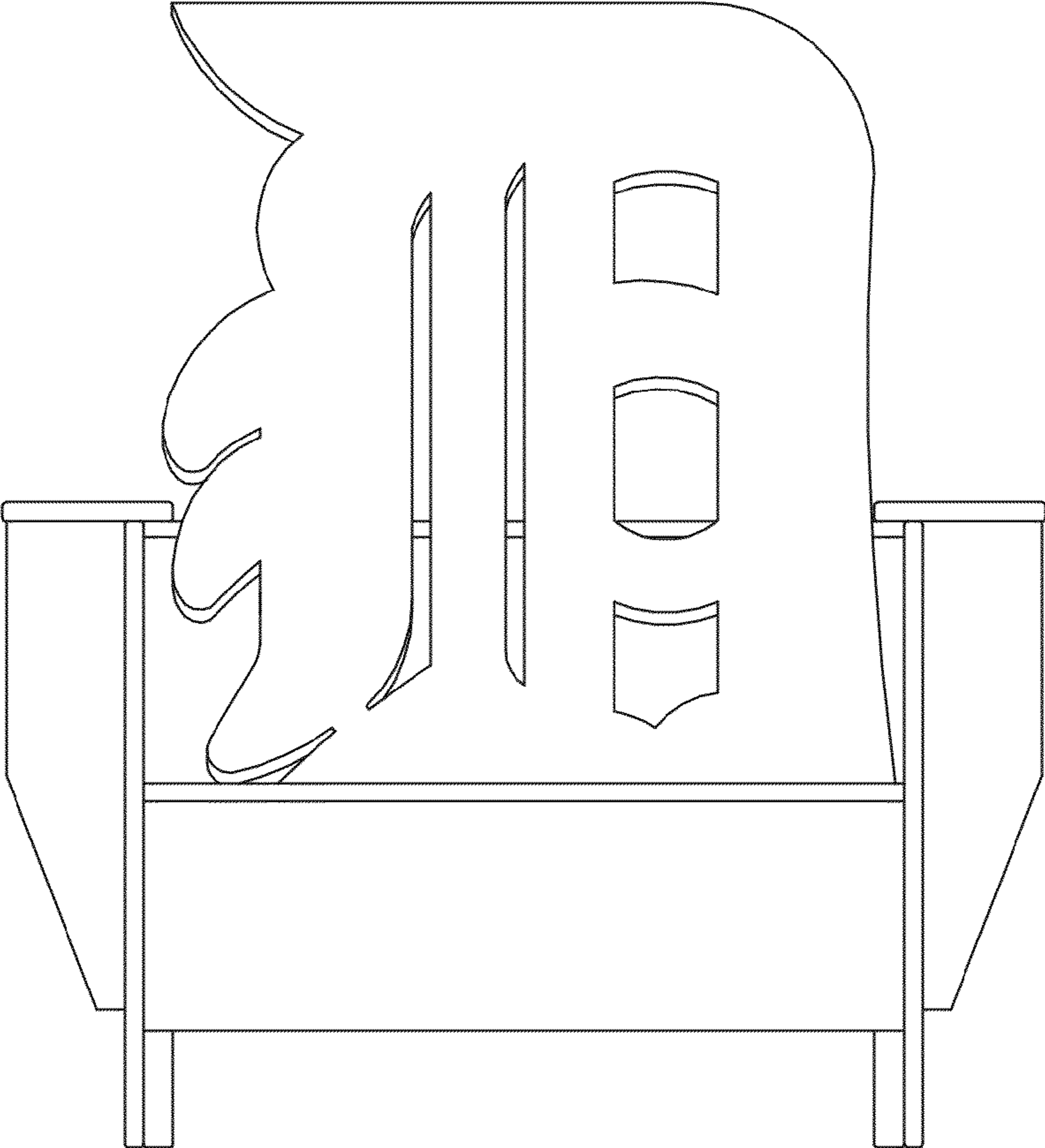


FIG 2

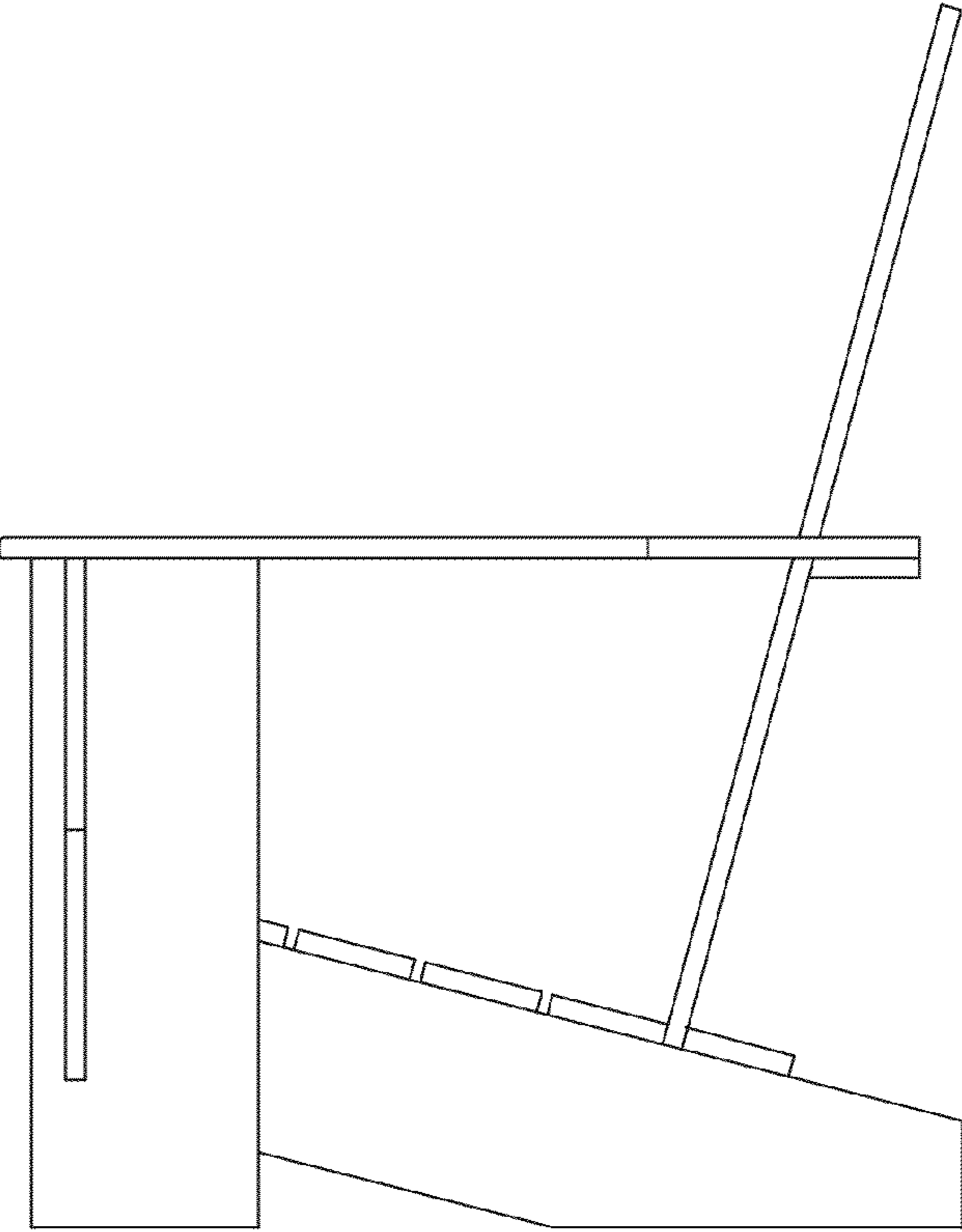


FIG 3

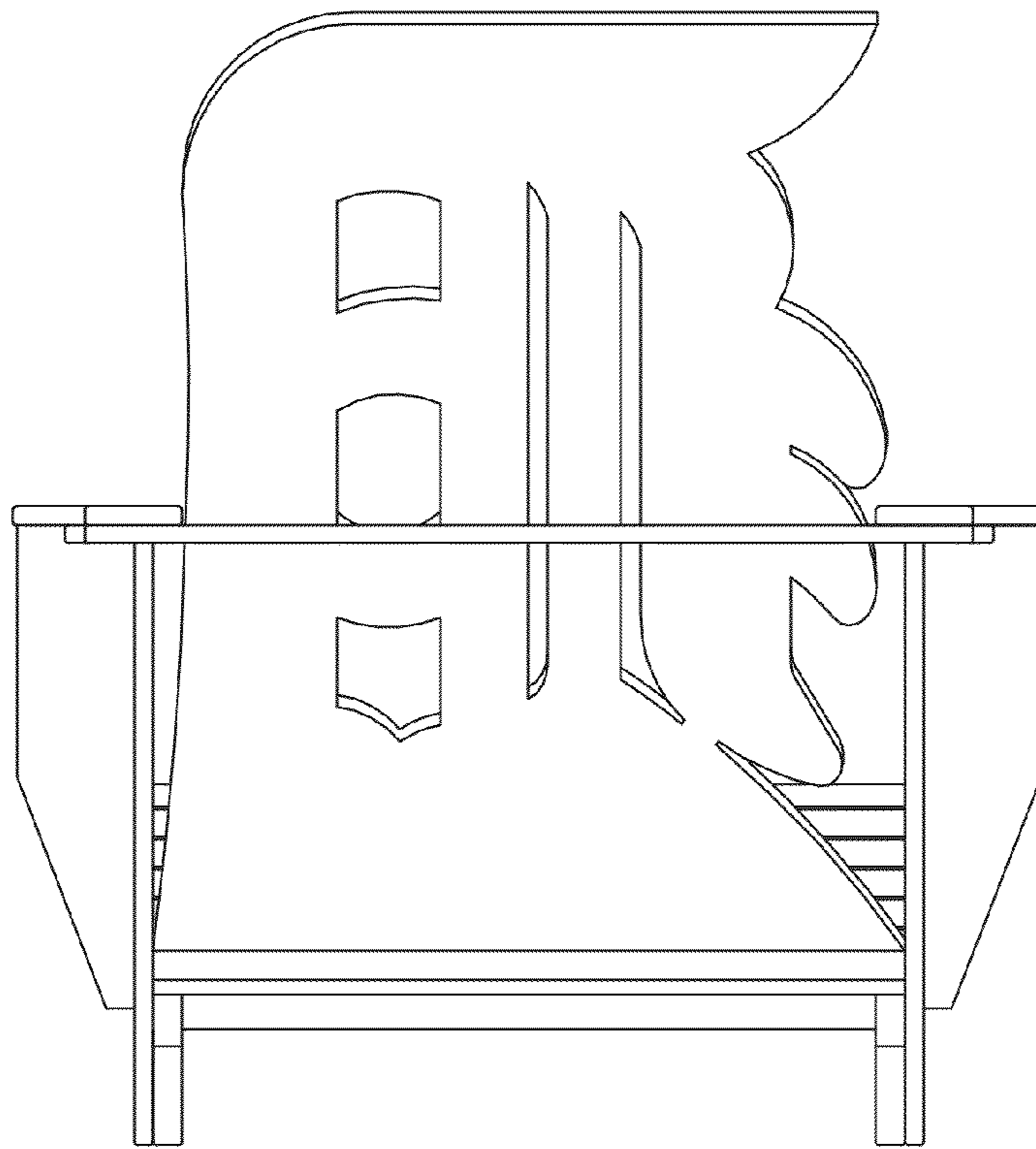


FIG 4

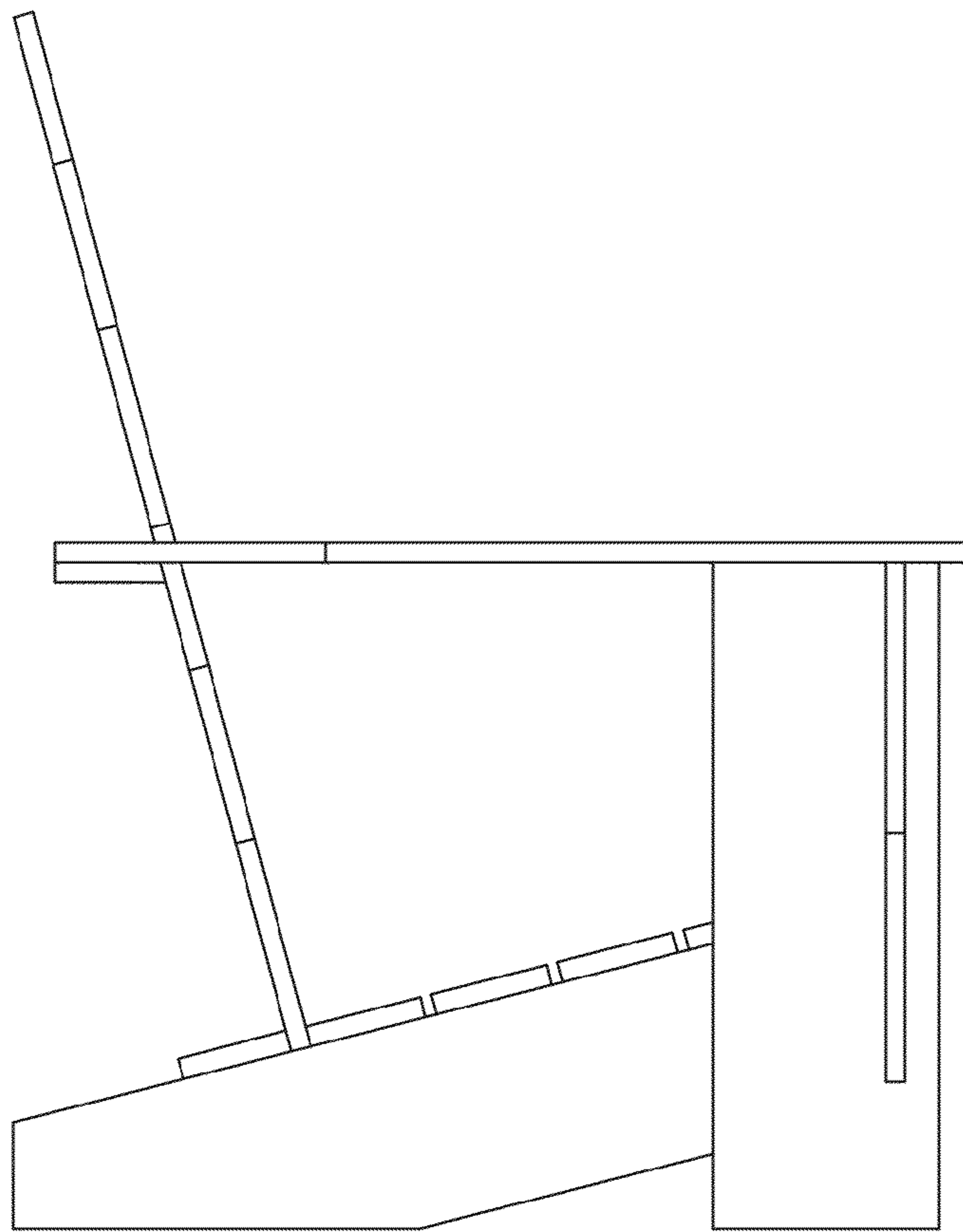


FIG 5

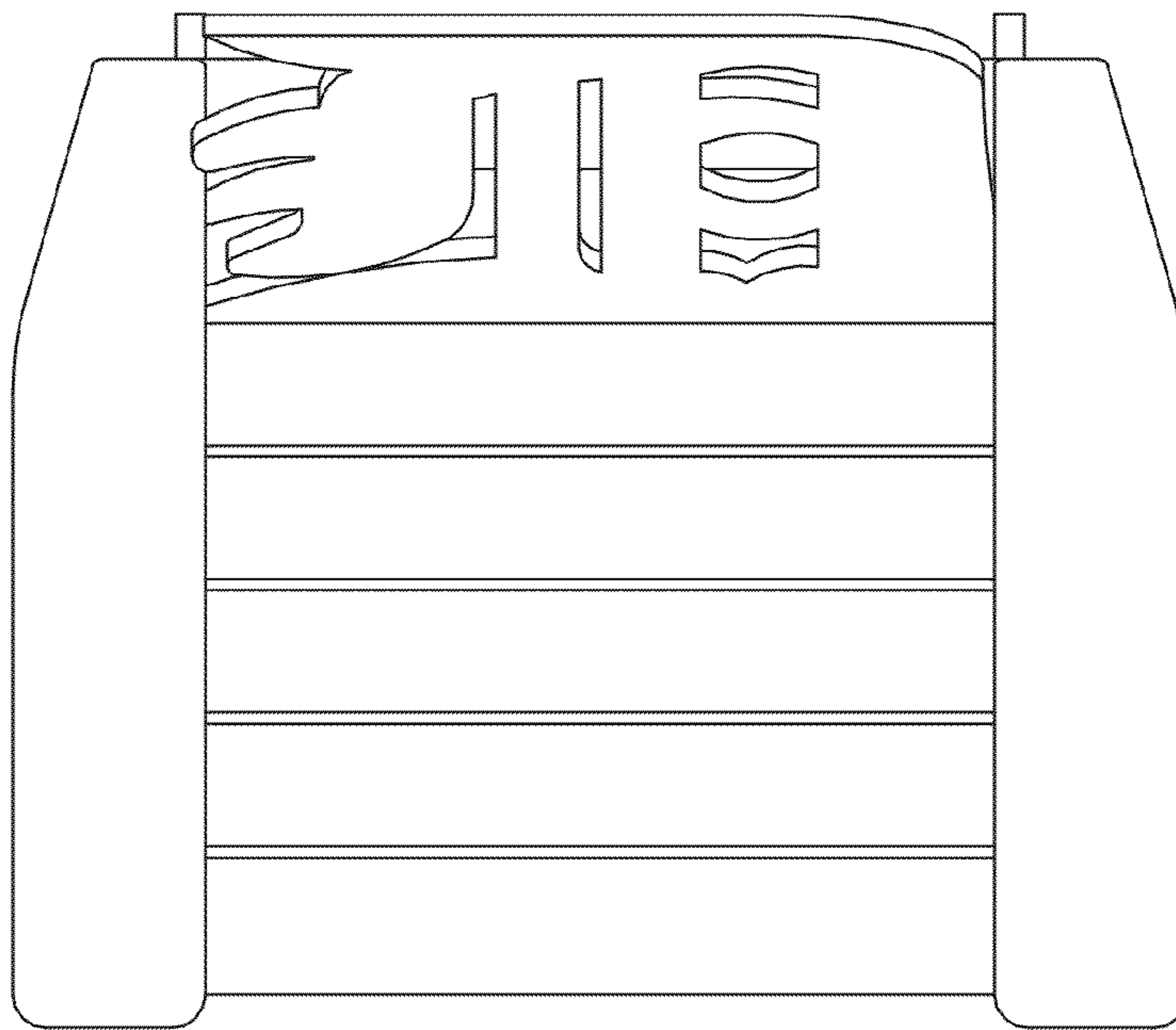


FIG 6

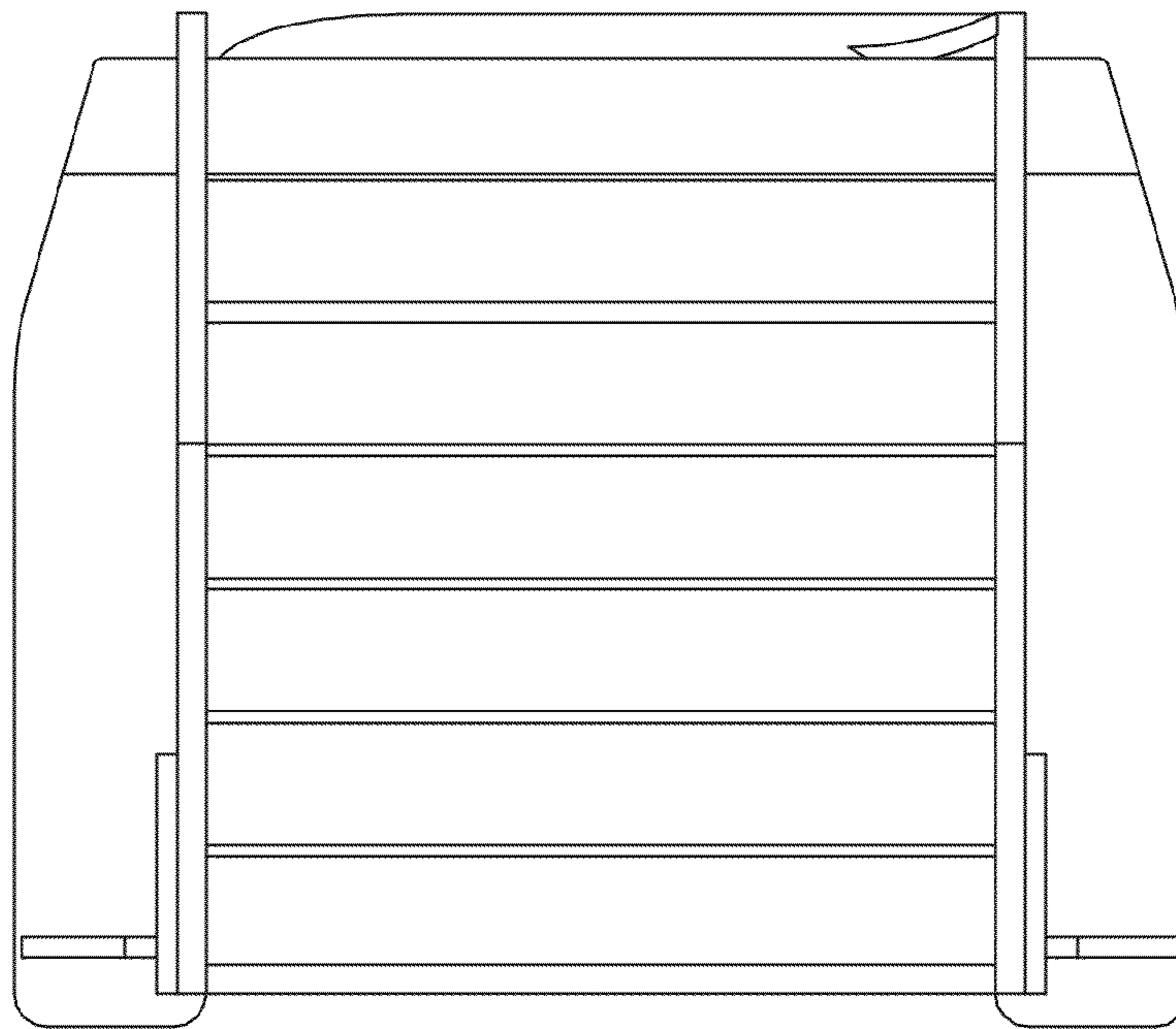


FIG 7