



US00D719365S

(12) **United States Design Patent**
Adams et al.

(10) **Patent No.:** **US D719,365 S**
(45) **Date of Patent:** **** Dec. 16, 2014**

(54) **STACKABLE BAR STOOL HAVING A BACK**

(71) Applicants: **William E. Adams**, Portersville, PA
(US); **Matthew Goodworth**, Pittsburgh,
PA (US); **Robert G. Schreiber**,
Prospect, PA (US)

(72) Inventors: **William E. Adams**, Portersville, PA
(US); **Matthew Goodworth**, Pittsburgh,
PA (US); **Robert G. Schreiber**,
Prospect, PA (US)

(73) Assignee: **Adams Mfg. Corp.**, Portersville, PA
(US)

(**) Term: **14 Years**

(21) Appl. No.: **29/461,510**

(22) Filed: **Jul. 24, 2013**

(51) **LOC (10) Cl.** **06-01**

(52) **U.S. Cl.**
USPC **D6/360**

(58) **Field of Classification Search**
USPC D6/334–336, 344–356, 360–381, 388,
D6/403, 491–502, 692, 708, 716,
D6/716.2–716.4, 717; 297/239, 411.2,
297/411.27–411.29, 411.43–411.44, 423.1,
297/423.12, 440.11, 440.15,
297/440.21–440.24, 445.1, 446.1, 448.1,
297/449.1, 451.4, 452.13, 452.19, 452.21,
297/452.27, 452.29, 452.3, 452.41, 452.56,
297/452.64

See application file for complete search history.

(56) **References Cited**

U.S. PATENT DOCUMENTS

2,435,064 A 1/1948 Weill
D149,637 S 5/1948 Hayes et al.

D272,018 S * 1/1984 Thompson D6/380
D357,592 S 4/1995 Kellen
D431,380 S * 10/2000 Hutton D6/360
D468,919 S * 1/2003 Juneau D6/360
D502,611 S * 3/2005 Williams D6/360
D528,813 S * 9/2006 Sienkowski et al. D6/374
D555,401 S 11/2007 Adams
D555,942 S 11/2007 Adams
D564,772 S * 3/2008 Alter Molina et al. D6/375
D588,826 S * 3/2009 Ricchio D6/380
D634,132 S 3/2011 Schultz
D645,266 S 9/2011 Aubry et al.
D651,006 S 12/2011 Jordan et al.
D654,279 S * 2/2012 Barile D6/360
D677,480 S * 3/2013 Starck et al. D6/360
D684,782 S * 6/2013 Adams D6/360
D688,885 S * 9/2013 Adams et al. D6/349
D691,820 S * 10/2013 Adams et al. D6/360
D705,558 S * 5/2014 Woodring D6/360

* cited by examiner

Primary Examiner — Ricky Pham

(74) *Attorney, Agent, or Firm* — Buchanan Ingersoll &
Rooney PC

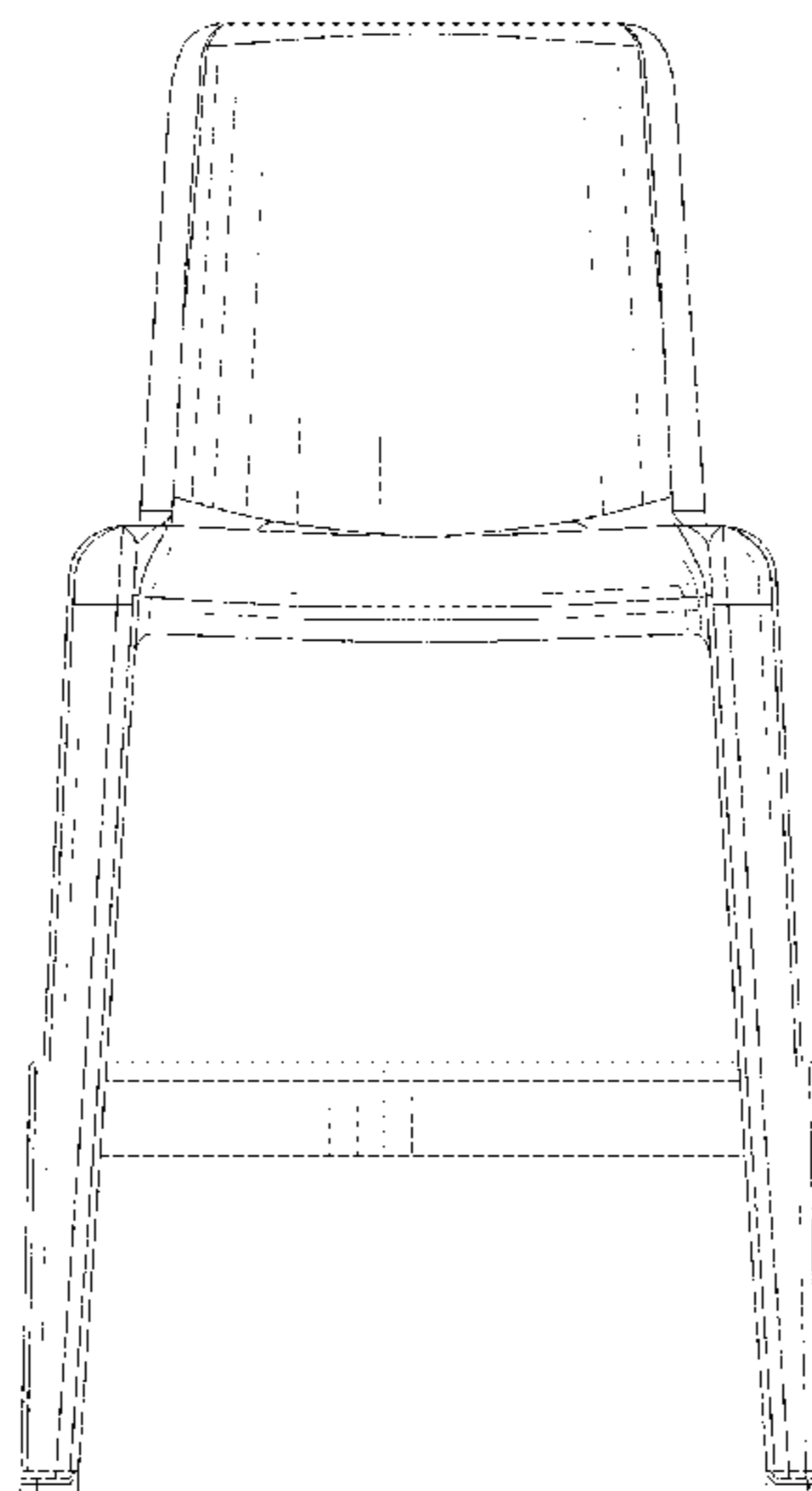
(57) **CLAIM**

The ornamental design for a stackable bar stool having a back,
as shown and described.

DESCRIPTION

FIG. 1 is a front view of our stackable bar stool having a back;
FIG. 2 is a left side view thereof, the right side view being a
mirror image thereof;
FIG. 3 is a rear view thereof;
FIG. 4 is a top view thereof;
FIG. 5 is a bottom view thereof;
FIG. 6 is a front perspective view thereof; and,
FIG. 7 is a rear perspective view thereof.

1 Claim, 6 Drawing Sheets



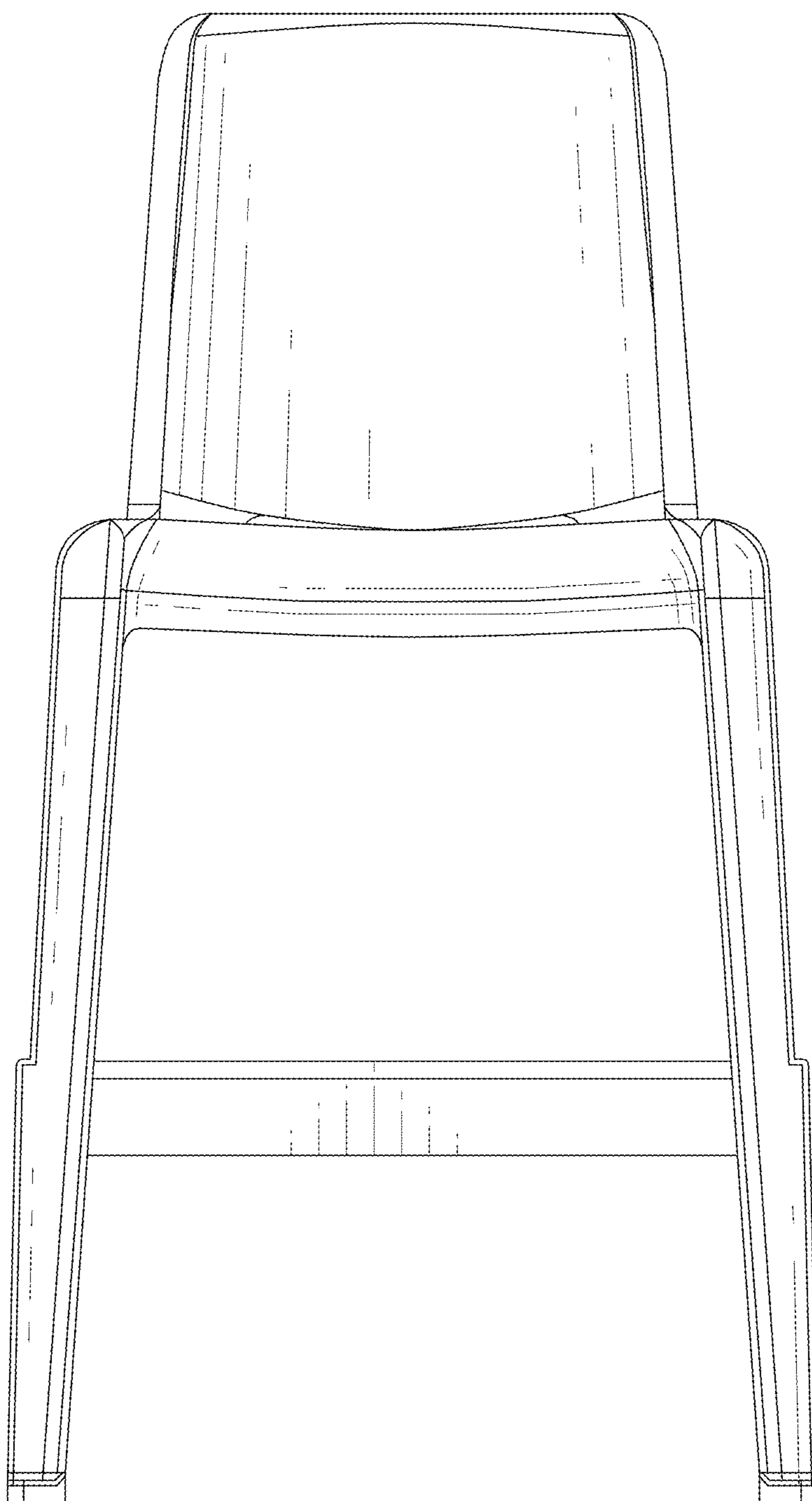


FIG. 1

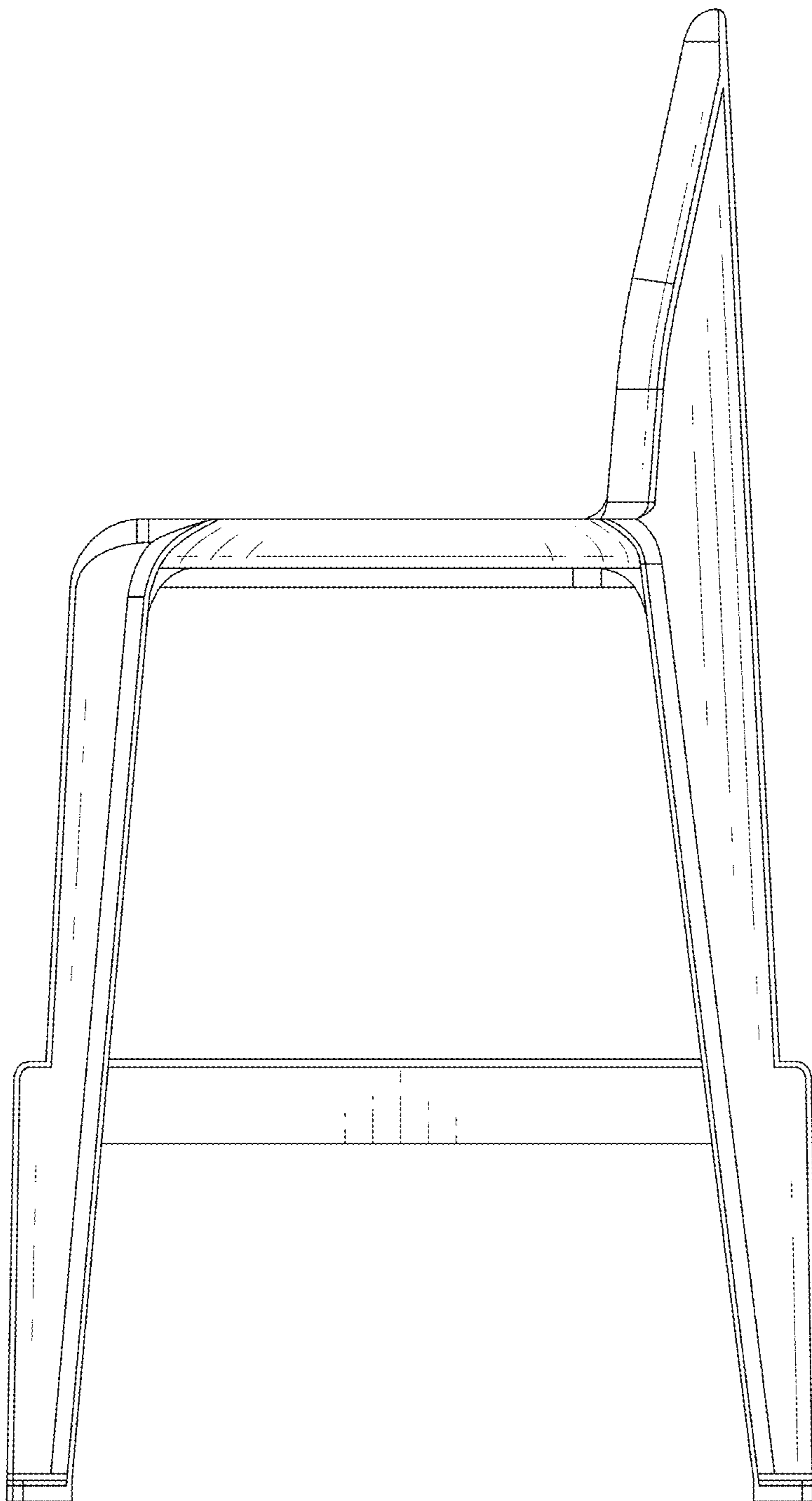


FIG. 2

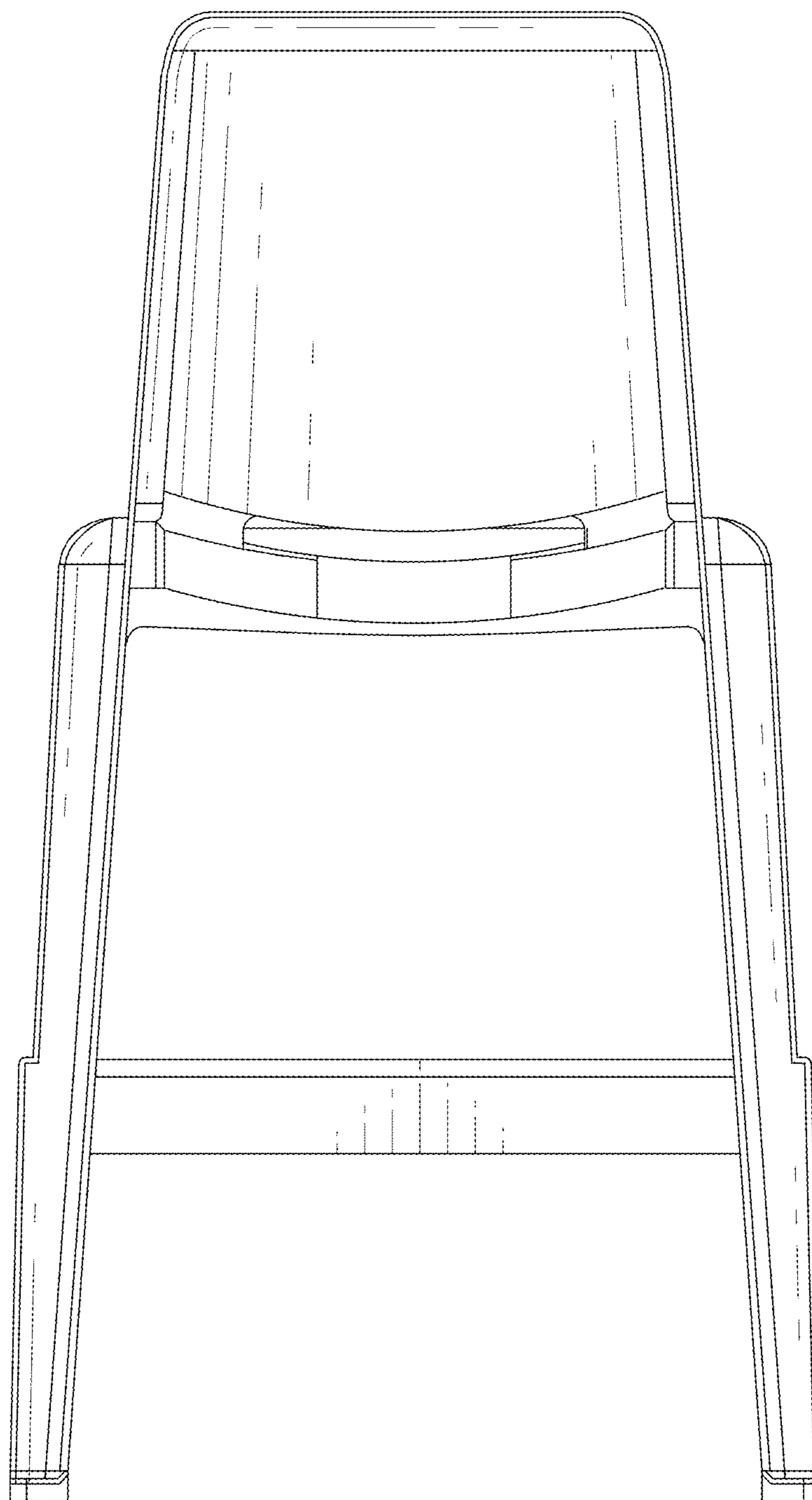


FIG. 3

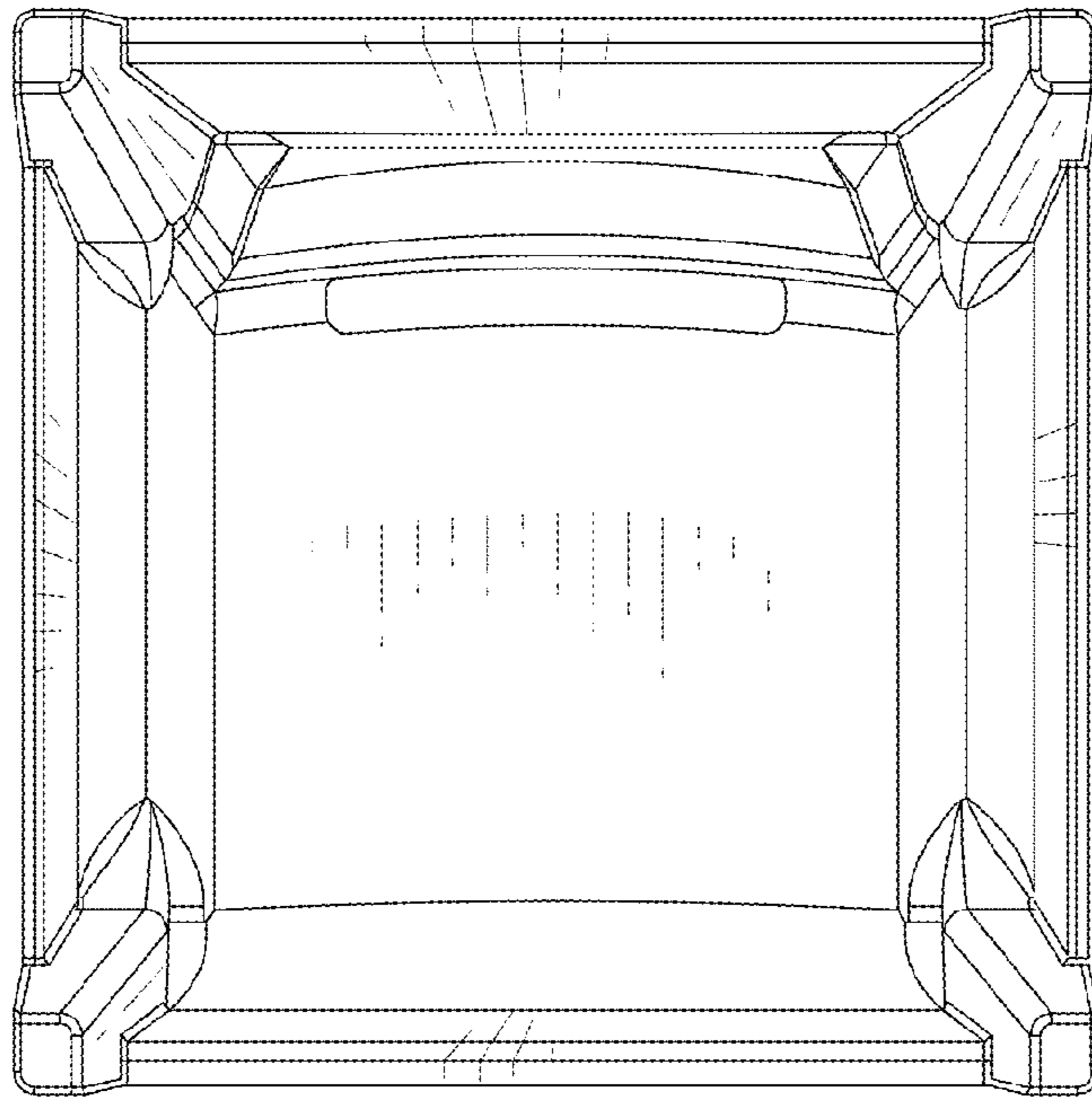


FIG. 4

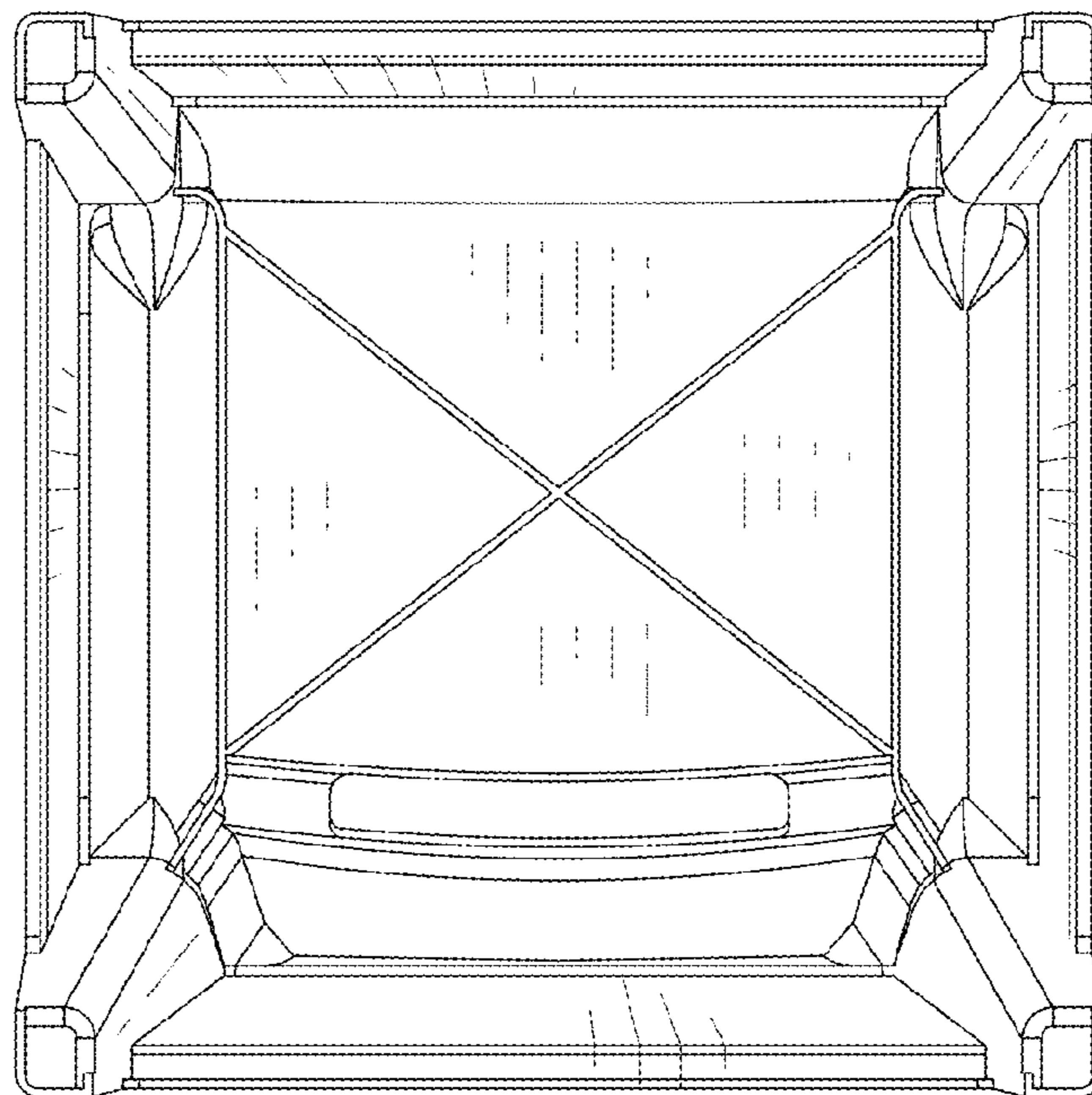


FIG. 5

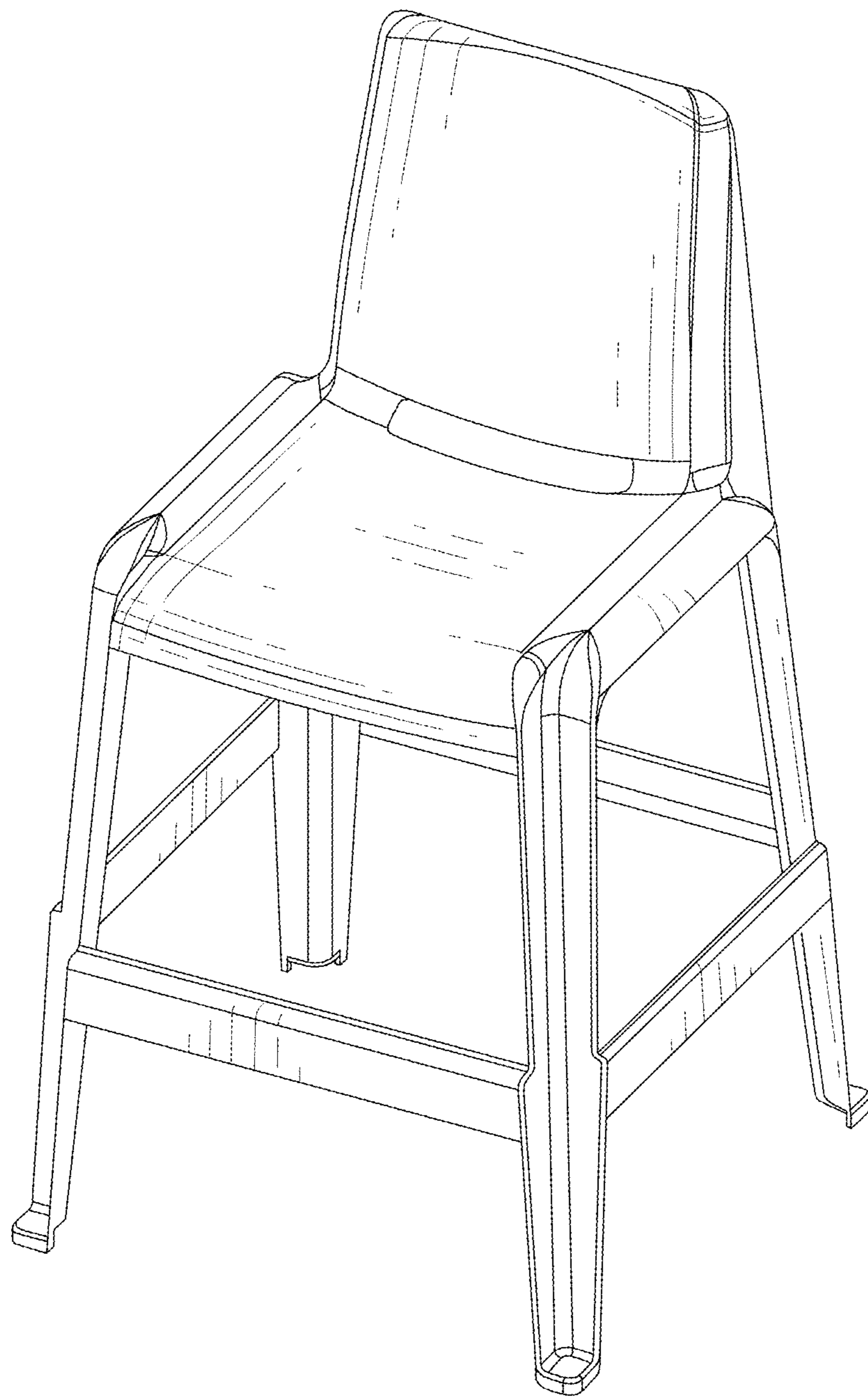


FIG. 6

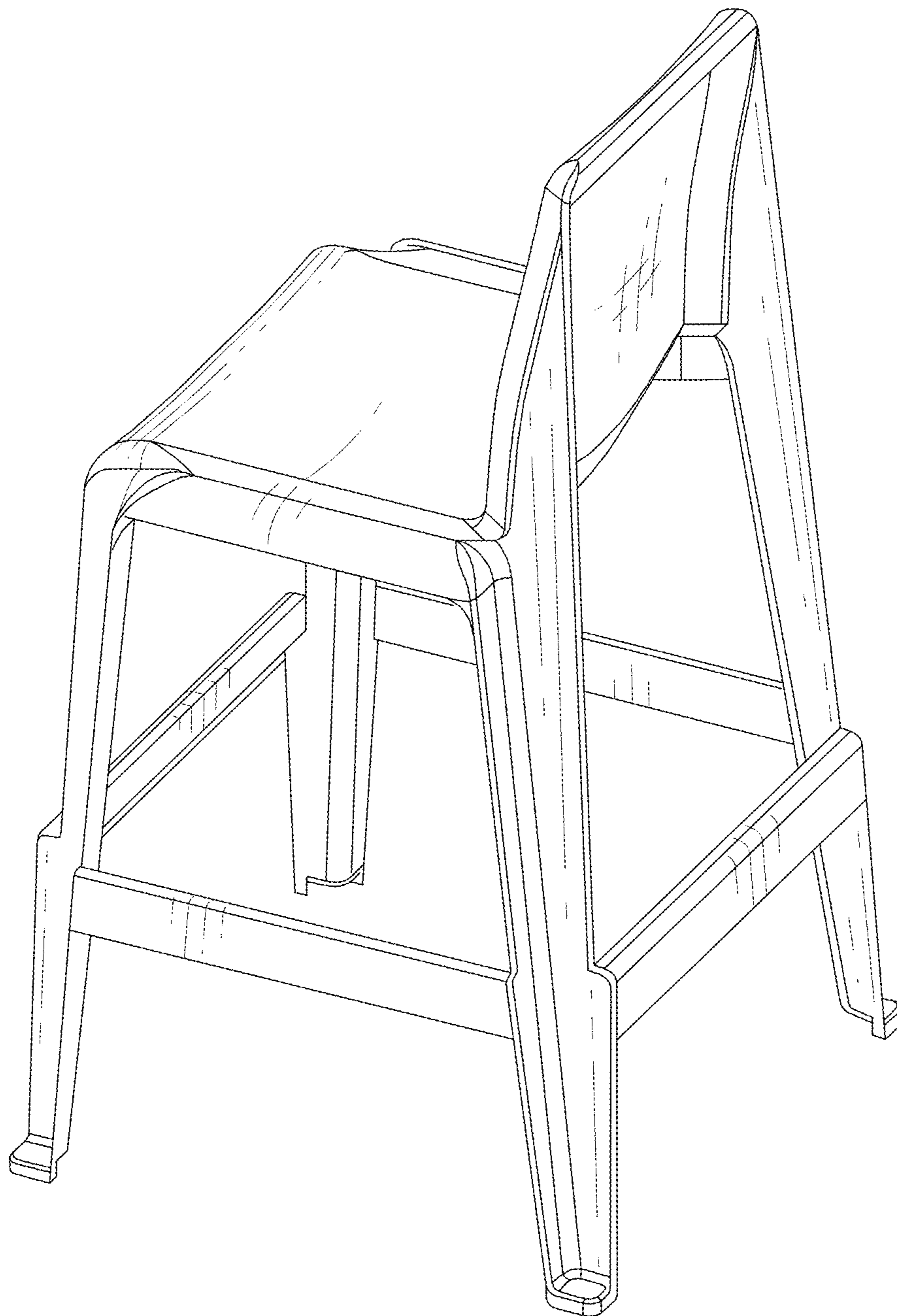


FIG. 7