



US00D719359S

(12) **United States Design Patent**
Mitchell et al.

(10) **Patent No.:** **US D719,359 S**

(45) **Date of Patent:** **** Dec. 16, 2014**

(54) **MESH PANEL**

(71) Applicant: **Cambridge International Inc.,**
Cambridge, MD (US)

(72) Inventors: **James J. Mitchell**, Seaford, DE (US);
George H. Messick, Jr., Cambridge,
MD (US)

(73) Assignee: **Cambridge International, Inc.,**
Cambridge, MD (US)

(**) Term: **14 Years**

(21) Appl. No.: **29/480,291**

(22) Filed: **Jan. 24, 2014**

(51) **LOC (10) Cl.** **05-09**

(52) **U.S. Cl.**
USPC **D5/2**

(58) **Field of Classification Search**

CPC B65G 15/30; B65G 15/54; B65G 17/06;
B65G 17/08; B65G 2812/02386

USPC D5/1-3, 11, 21, 30, 43, 44, 46, 53,
D5/56-63, 99; D6/585, 612, 613, 622,
D6/617; D19/1, 5; D25/138; 2/900;
15/208; 28/143, 150, 160, 163;
112/401, 416, 439; 428/32, 66.5, 85,
428/91, 151, 152, 187, 542.6; 442/408

See application file for complete search history.

(56) **References Cited**

U.S. PATENT DOCUMENTS

551,644	A *	12/1895	McPherson	15/239
1,354,553	A *	10/1920	Harter	198/690.2
1,772,423	A *	8/1930	Hurxthal	198/853
2,025,620	A *	12/1935	Sneesby	198/690.2
2,619,306	A *	11/1952	Van Lake	245/9
2,826,383	A *	3/1958	Spencer, Jr.	245/10
2,862,602	A *	12/1958	Greer et al.	198/848

3,439,795	A *	4/1969	Burnett et al.	198/852
4,078,655	A *	3/1978	Roinestad	198/848
4,754,871	A *	7/1988	Gustafson	198/848
4,972,942	A *	11/1990	Faulkner	198/853
D319,328	S *	8/1991	Faulkner	D34/29
5,501,319	A *	3/1996	Larson et al.	198/778
5,934,448	A *	8/1999	Kucharski et al.	198/852
5,954,187	A *	9/1999	Hager	198/778
6,202,833	B1 *	3/2001	Greer	198/851
6,325,205	B1 *	12/2001	Heyde	198/835
6,354,432	B1 *	3/2002	Maine et al.	198/850
6,371,284	B1 *	4/2002	Pasch	198/848
7,246,698	B2 *	7/2007	Farrell	198/848
7,441,649	B2 *	10/2008	Layne et al.	198/852
7,494,005	B2 *	2/2009	Messick et al.	198/848
7,721,877	B2 *	5/2010	Maine et al.	198/848
7,975,840	B2 *	7/2011	Messick et al.	198/848
8,544,638	B2 *	10/2013	Meulenkamp et al.	198/853
D695,985	S *	12/2013	Messick et al.	D34/29
2002/0092737	A1 *	7/2002	Messick, Jr.	198/850
2006/0249359	A1 *	11/2006	Pasch	198/852
2007/0080048	A1 *	4/2007	Messick et al.	198/852
2009/0071668	A1 *	3/2009	Hennigar	172/612

(Continued)

Primary Examiner — Karen S Acker

(74) *Attorney, Agent, or Firm* — Buchanan, Ingersoll & Rooney PC

(57) **CLAIM**

The ornamental design for a mesh panel, as shown and described.

DESCRIPTION

FIG. 1 is a front, bottom perspective view of a mesh panel according to our new design.

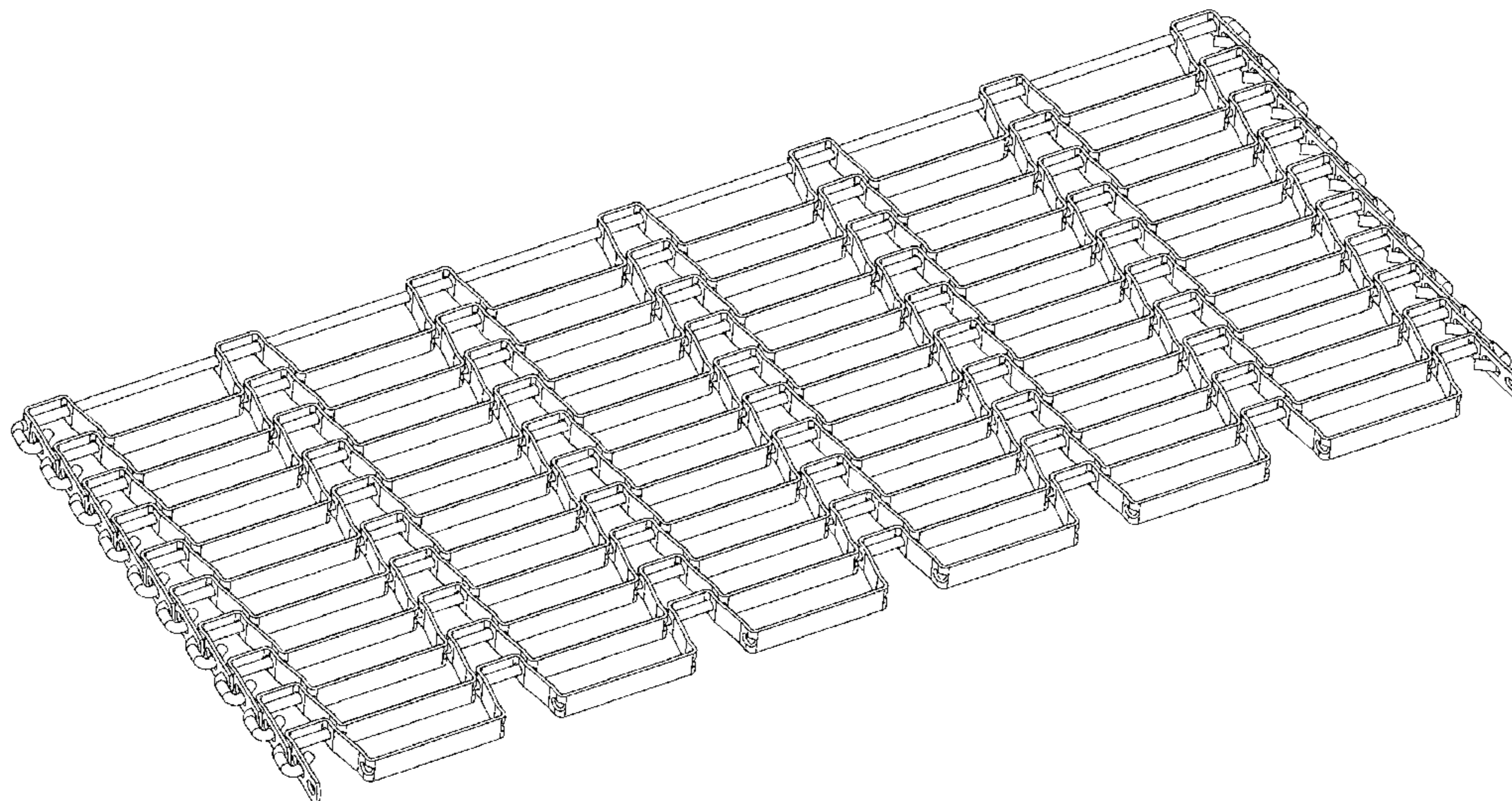
FIG. 2 is a further front, bottom perspective view thereof.

FIG. 3 is a front elevational view thereof, the rear elevational view being a mirror image.

FIG. 4 is a bottom plan view thereof; and,

FIG. 5 is an enlarged left side elevational view thereof, the right side being a mirror image.

1 Claim, 5 Drawing Sheets



US D719,359 S

Page 2

(56)

References Cited

U.S. PATENT DOCUMENTS

2010/0269699	A1*	10/2010	Jones	96/43
2013/0092513	A1*	4/2013	Record et al.	198/853
2013/0118867	A1*	5/2013	Salsone et al.	198/851
2009/0078544	A1*	3/2009	Messick et al.	198/834
2009/0145732	A1*	6/2009	Maine et al.	198/853

* cited by examiner

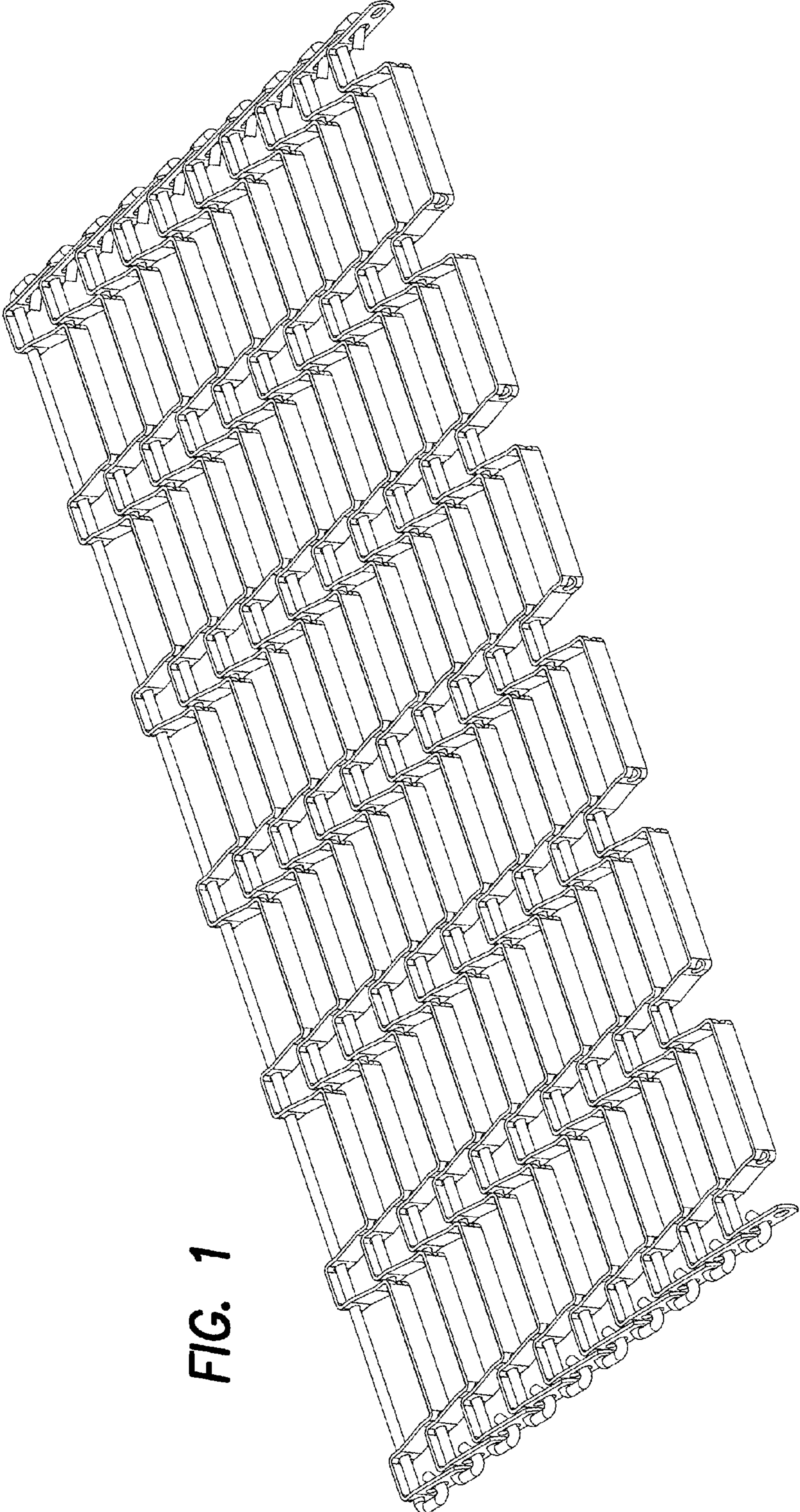


FIG. 1

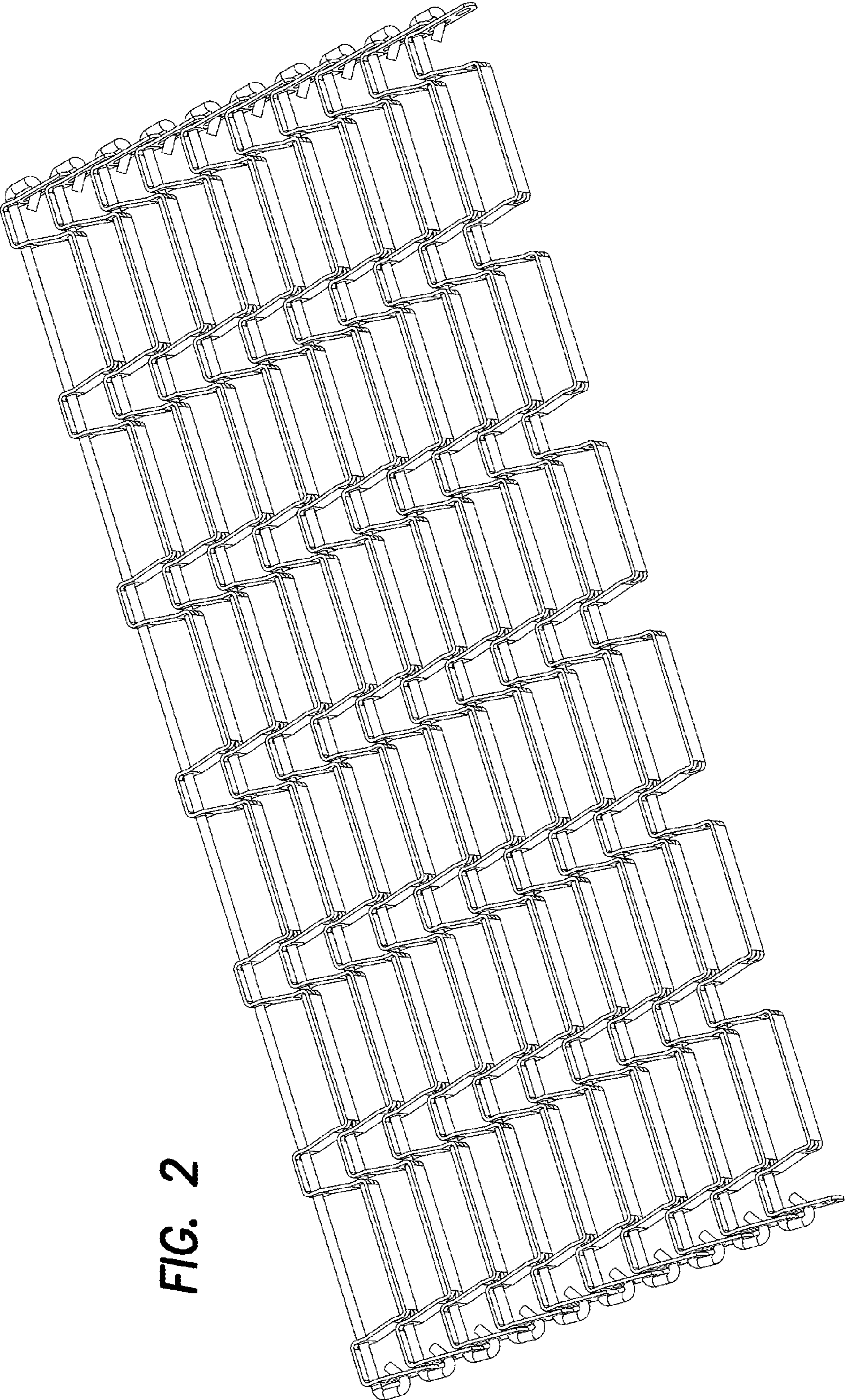


FIG. 2

FIG. 3

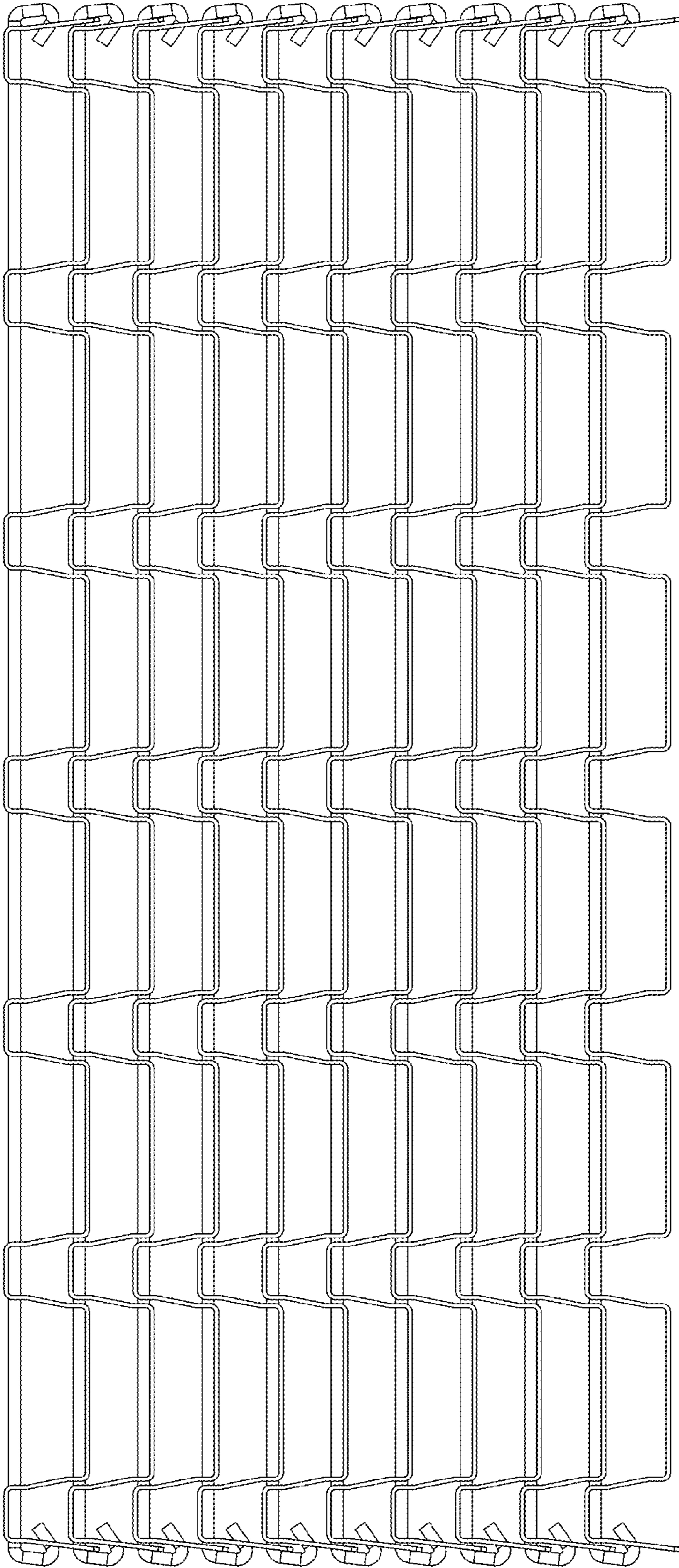




FIG. 4

FIG. 5

