



US00D719357S

(12) **United States Design Patent**
Li

(10) **Patent No.:** **US D719,357 S**

(45) **Date of Patent:** **** *Dec. 16, 2014**

(54) **SOAP DISPENSING DISH BRUSH**

(75) Inventor: **Quan Li**, Queens, NY (US)

(73) Assignee: **Casabella Holdings, LLC**, Congers, NY (US)

(*) Notice: This patent is subject to a terminal disclaimer.

(**) Term: **14 Years**

(21) Appl. No.: **29/389,226**

(22) Filed: **Apr. 7, 2011**

(51) **LOC (10) Cl.** **04-01**

(52) **U.S. Cl.**
USPC **D4/114; D4/118; D4/121; D4/136; D32/45**

(58) **Field of Classification Search**
USPC D4/114, 132, 134, 136, 118, 137, 138; D32/45, 52, 51; 15/159.1, 160, 188, 15/208, 209.1, 210.1, 244.1; 401/196, 401/205-207, 137, 139, 183-185, 261, 263, 401/266, 270-276, 278, 279, 282, 290, 291
See application file for complete search history.

(56) **References Cited**

U.S. PATENT DOCUMENTS

2,218,072 A * 10/1940 Runnels 606/161
3,085,372 A * 4/1963 Sweeney et al. 401/196
D252,250 S * 7/1979 Hobbs D32/45
4,826,340 A * 5/1989 Rothweiler et al. 401/279

D417,324 S * 11/1999 Farls D32/40
D459,090 S * 6/2002 Sauer D4/122
6,425,701 B1 * 7/2002 Jacobs 401/6
7,040,830 B2 * 5/2006 Kliegman et al. 401/290
7,461,993 B1 * 12/2008 Sampaio 401/271
D591,953 S * 5/2009 Krus et al. D4/127
D660,006 S * 5/2012 Li D4/121

* cited by examiner

Primary Examiner — Melanie H Tung

Assistant Examiner — Lavone D Tabor

(74) *Attorney, Agent, or Firm* — Curtis, Mallet-Prevost, Colt & Mosle LLP

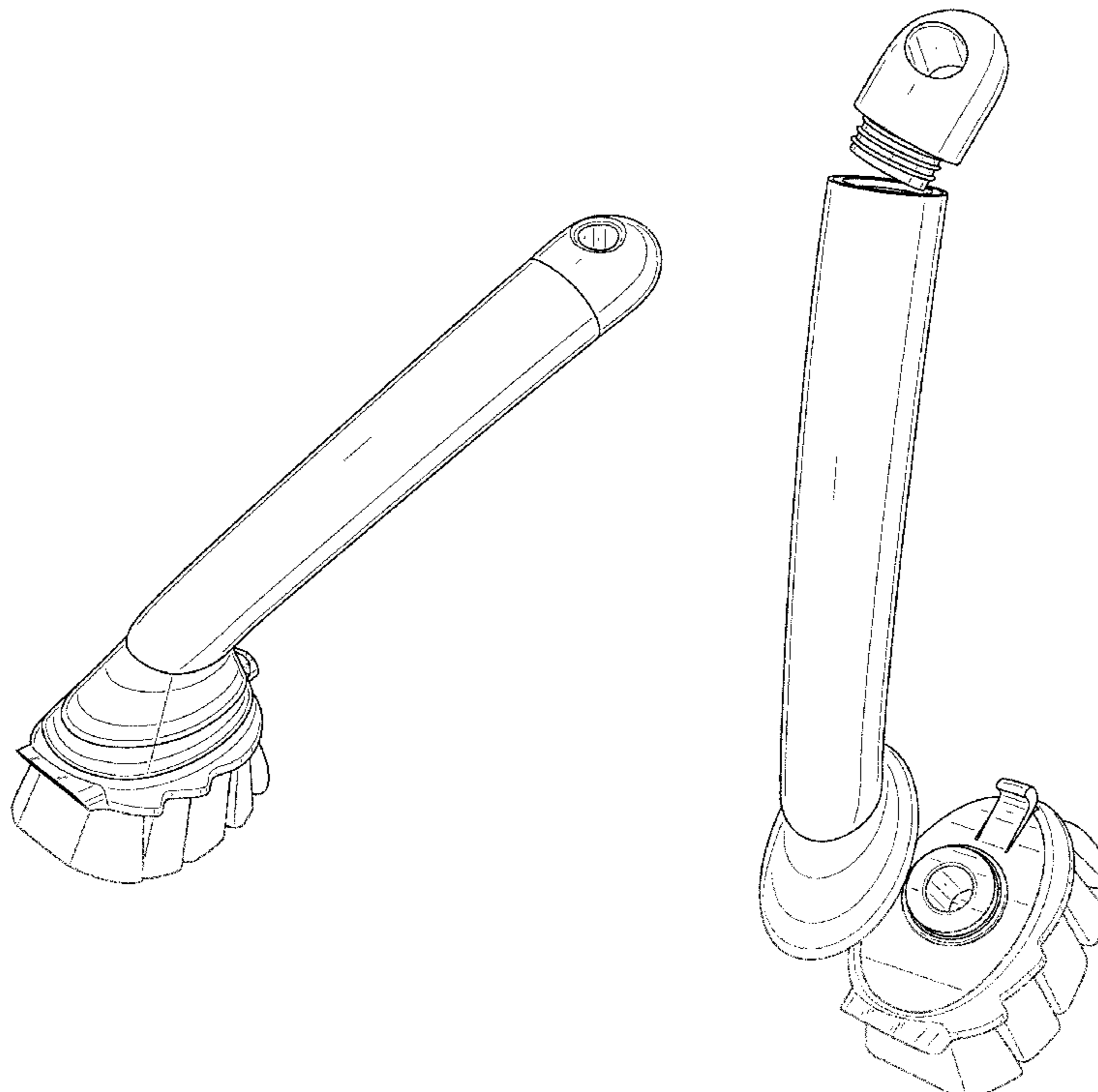
(57) **CLAIM**

The ornamental design for the soap dispensing dish brush, as shown and described.

DESCRIPTION

FIG. 1 is a perspective view of the new ornamental soap dispensing dish brush of the present invention
FIG. 2 is a front view thereof.
FIG. 3 is a rear view thereof.
FIG. 4 is a left view thereof.
FIG. 5 is a right view thereof.
FIG. 6 is a top view thereof.
FIG. 7 is a bottom view thereof; and,
FIG. 8 is an enlarged exploded view thereof.
The dash-dot-dash broken line represents the bounds of the claim and forms no part thereof. The dashed broken line illustrates a portion of the dish brush that forms no part of the claimed design.

1 Claim, 5 Drawing Sheets



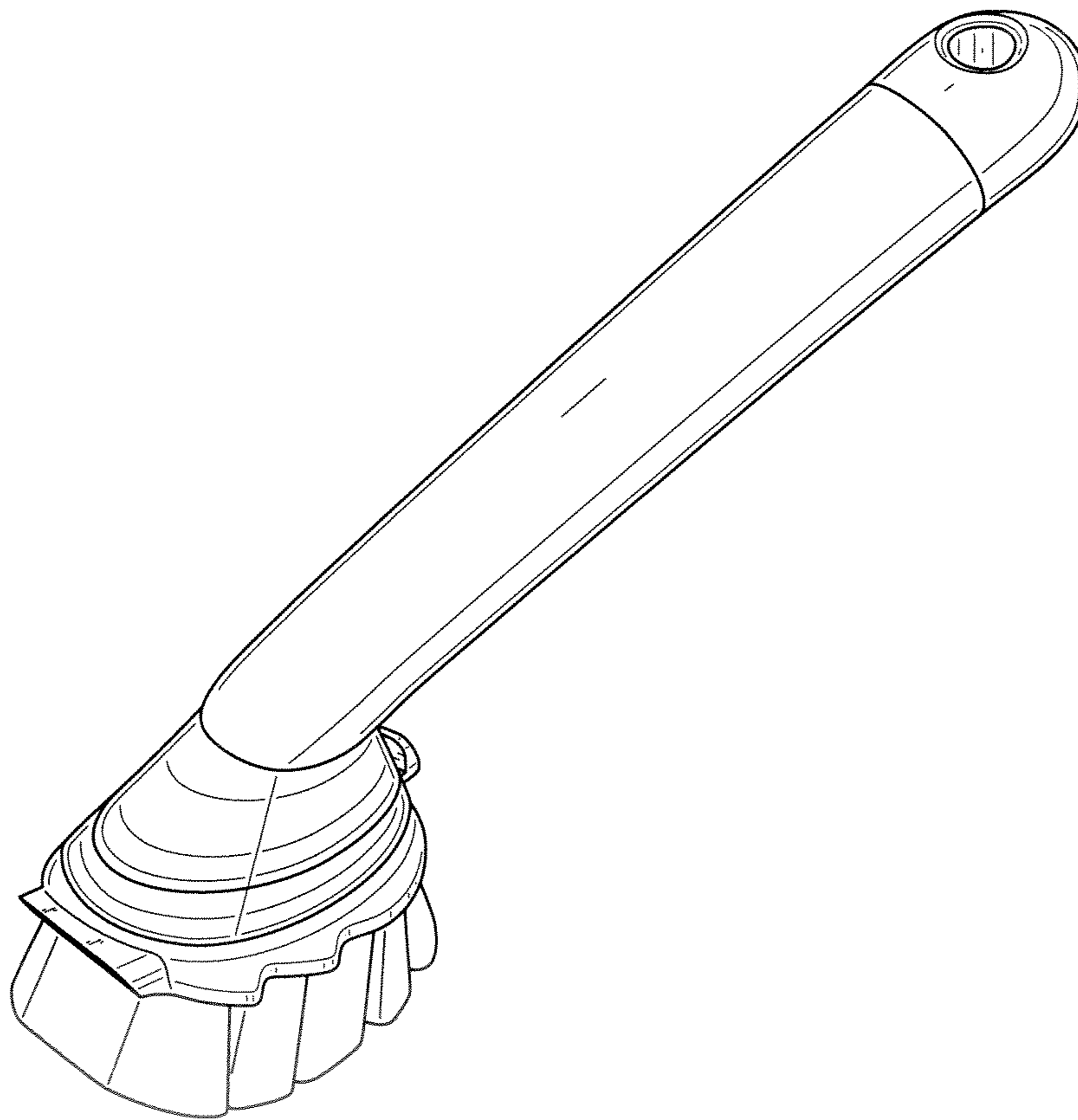


FIG. 1

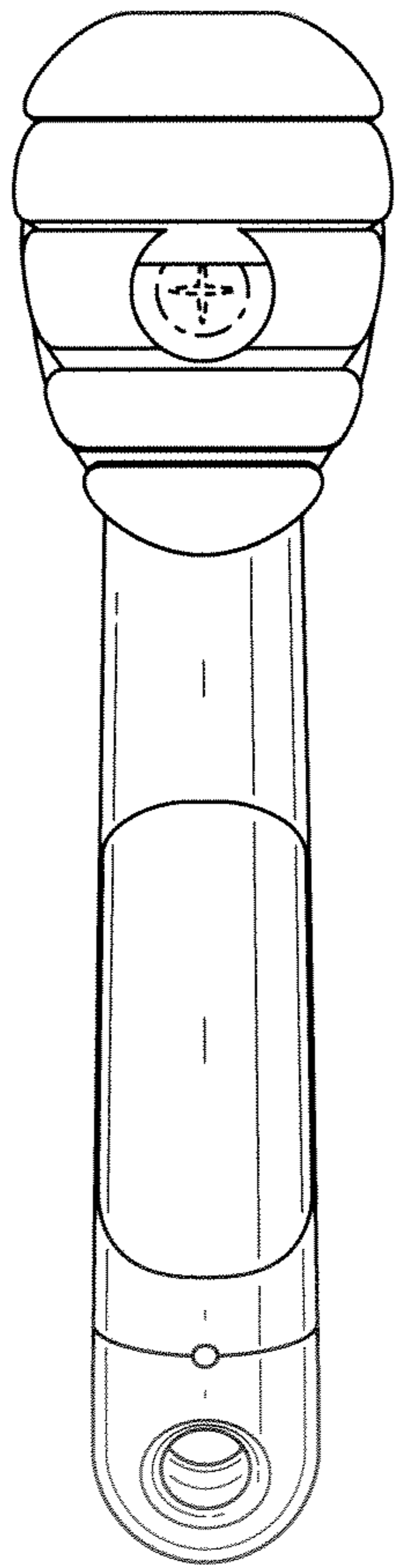


FIG. 2

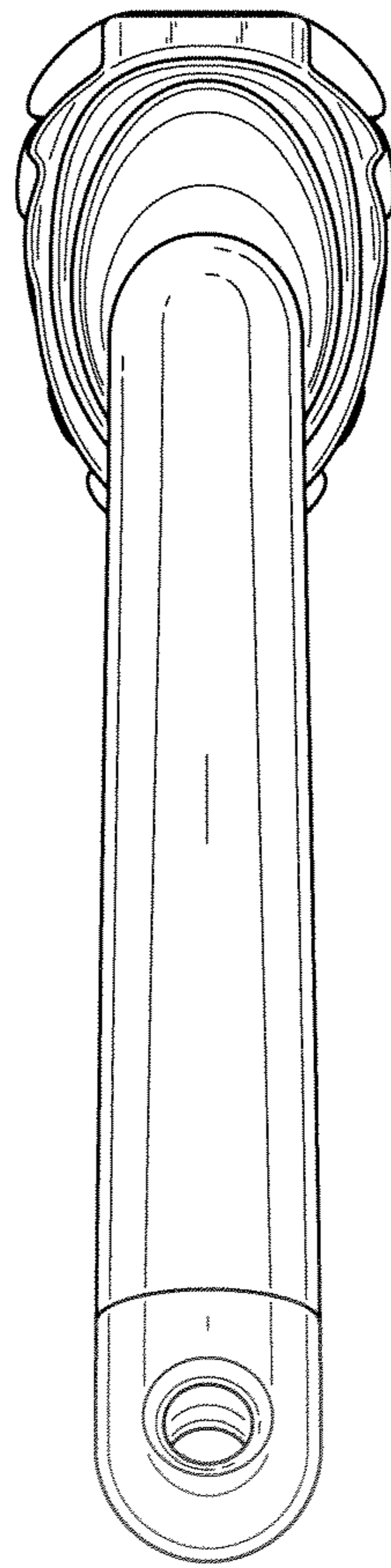


FIG. 3

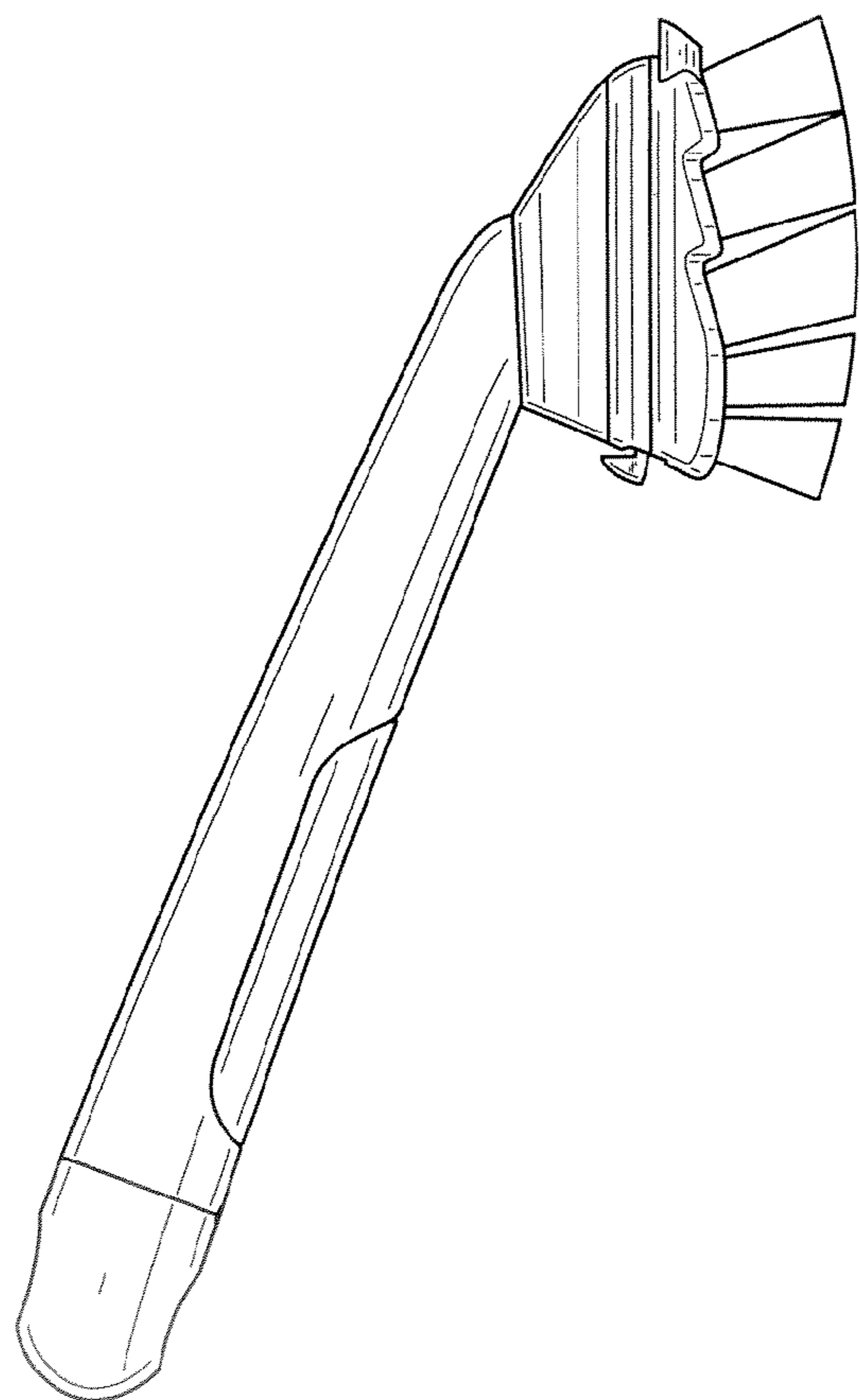


FIG. 4

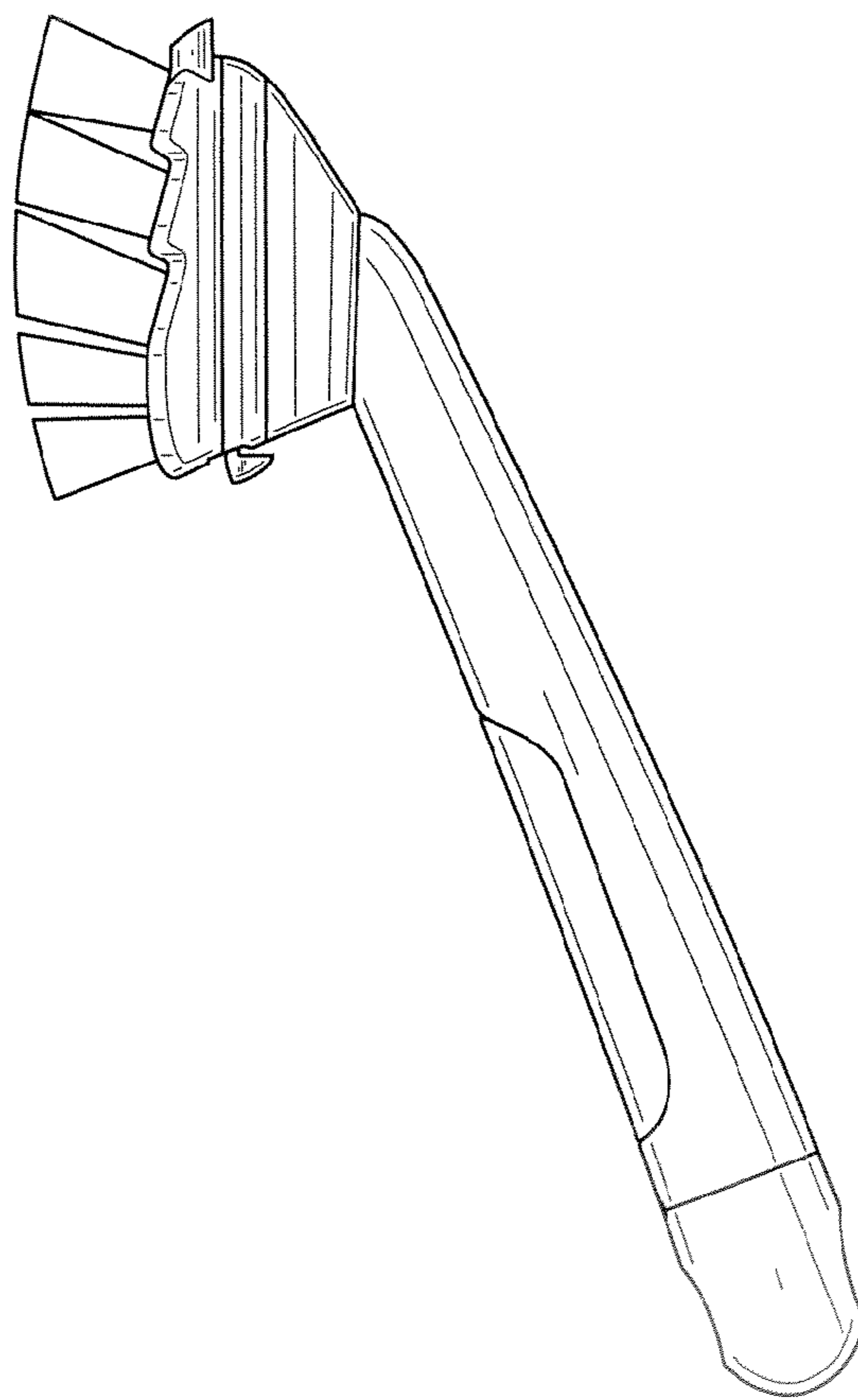


FIG. 5

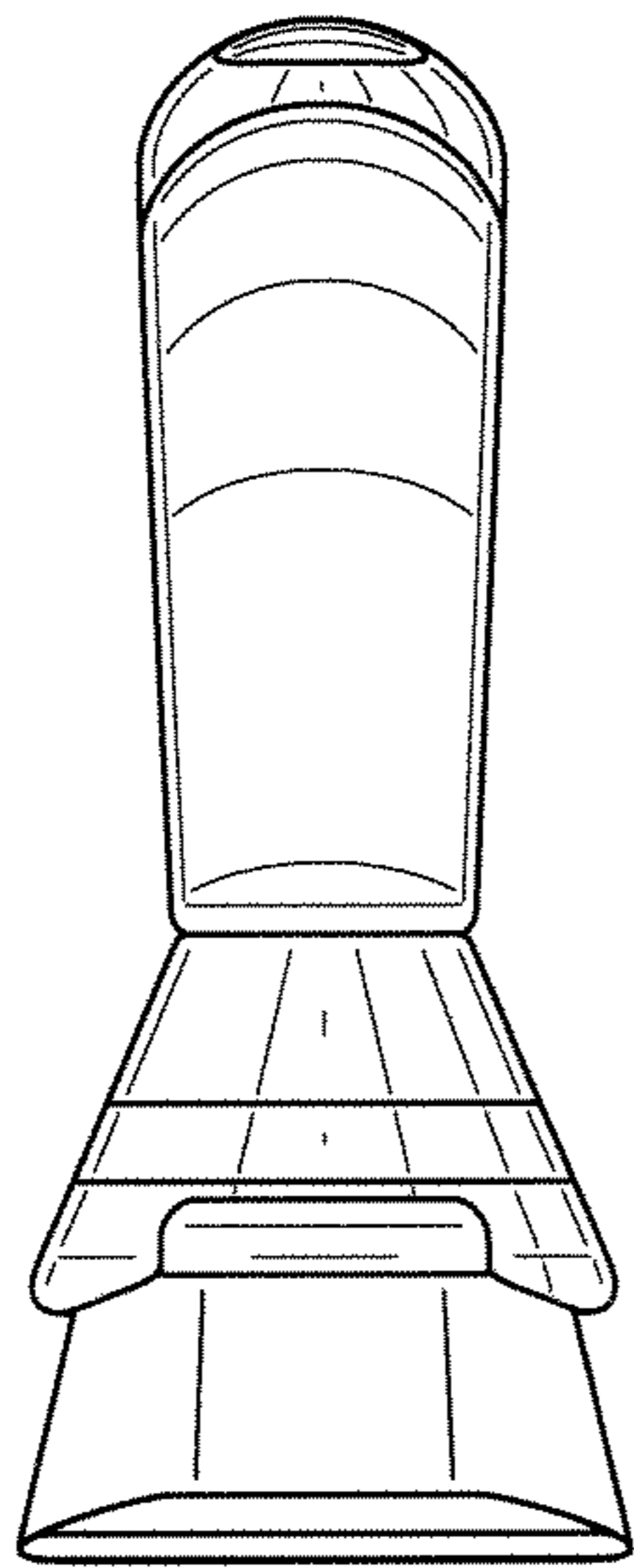


FIG. 6

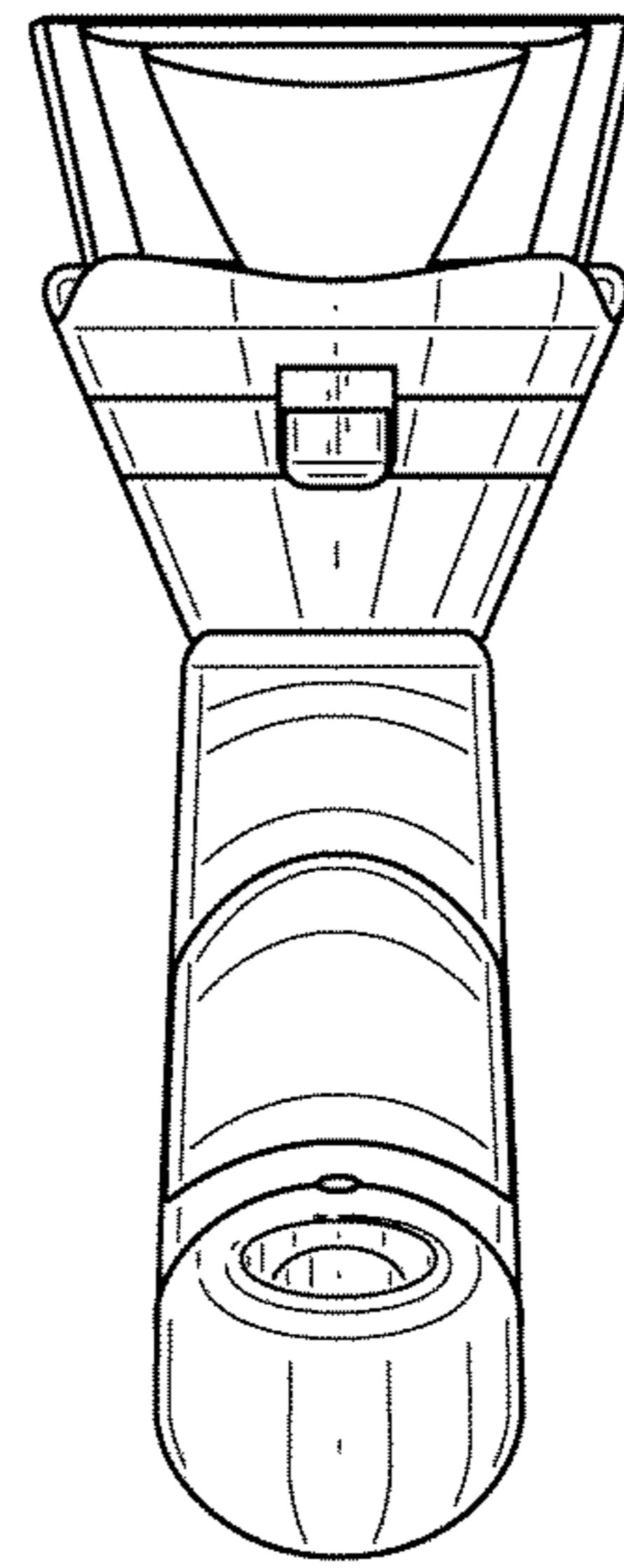


FIG. 7

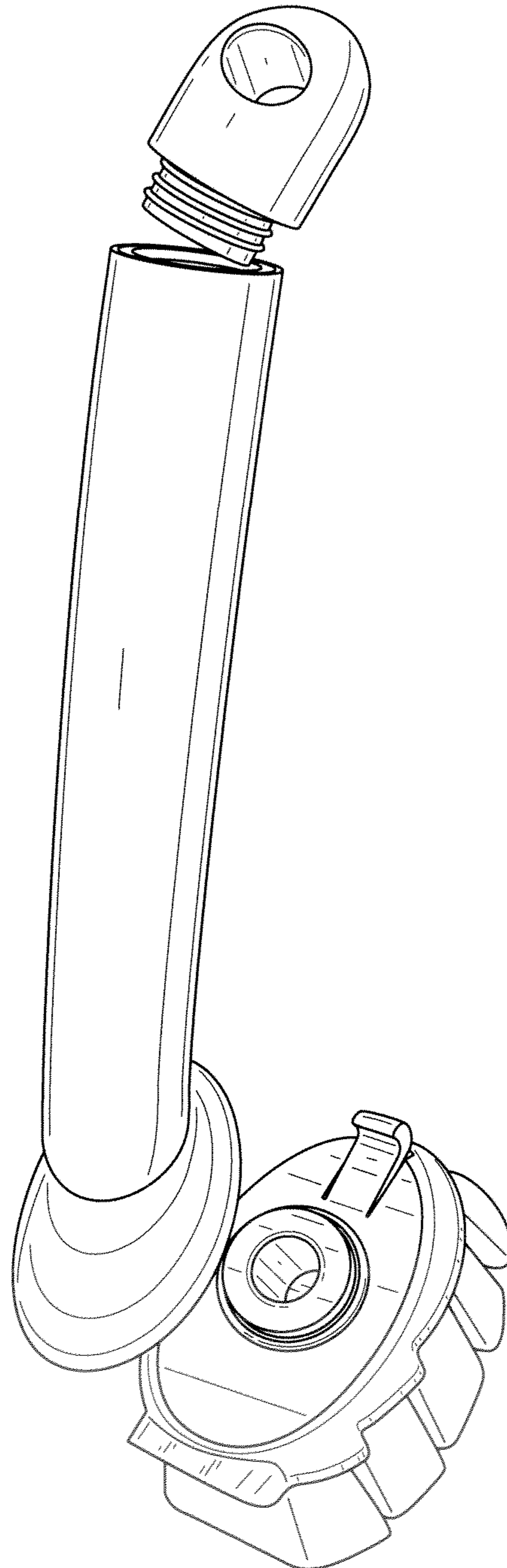


FIG. 8