



US00D719355S

(12) **United States Design Patent**
Nishimoto

(10) **Patent No.:** **US D719,355 S**

(45) **Date of Patent:** **** Dec. 16, 2014**

(54) **BAG WITH A FACE DECORATION**

FOREIGN PATENT DOCUMENTS

(71) Applicant: **ACT Co. Ltd.**, Matsubara-shi (JP)

JP D1363083 S 6/2009

(72) Inventor: **Shinji Nishimoto**, Matsubara (JP)

JP D1395372 S 8/2010

(73) Assignee: **ACT Co. Ltd.**, Matsubara-Shi (JP)

JP D1395373 S 8/2010

(**) Term: **14 Years**

* cited by examiner

(21) Appl. No.: **29/459,732**

Primary Examiner — Holly Baynham

(22) Filed: **Jul. 2, 2013**

(74) *Attorney, Agent, or Firm* — Knobbe Martens Olson & Bear LLP

(30) **Foreign Application Priority Data**

(57) **CLAIM**

The ornamental design for a bag with a face decoration, as shown and described.

Feb. 26, 2013 (JP) 2013-004005

DESCRIPTION

(51) **LOC (10) Cl.** **03-01**

FIG. 1 is front elevational view of a bag with a face decoration showing our new design as applied on the side of a bag.

(52) **U.S. Cl.**
USPC **D3/318**

FIG. 2 is a rear elevational view thereof.

(58) **Field of Classification Search**
USPC D3/234, 238, 318; 150/100, 103-110,
150/113-114, 117-119
See application file for complete search history.

FIG. 3 is a left side elevational view thereof.

FIG. 4 is a right side elevational view thereof.

FIG. 5 is a top plan view thereof.

FIG. 6 is a bottom plan view thereof; and,

FIG. 7 is a front elevational view thereof showing a tongue portion of the decoration withdrawn behind two zippers.

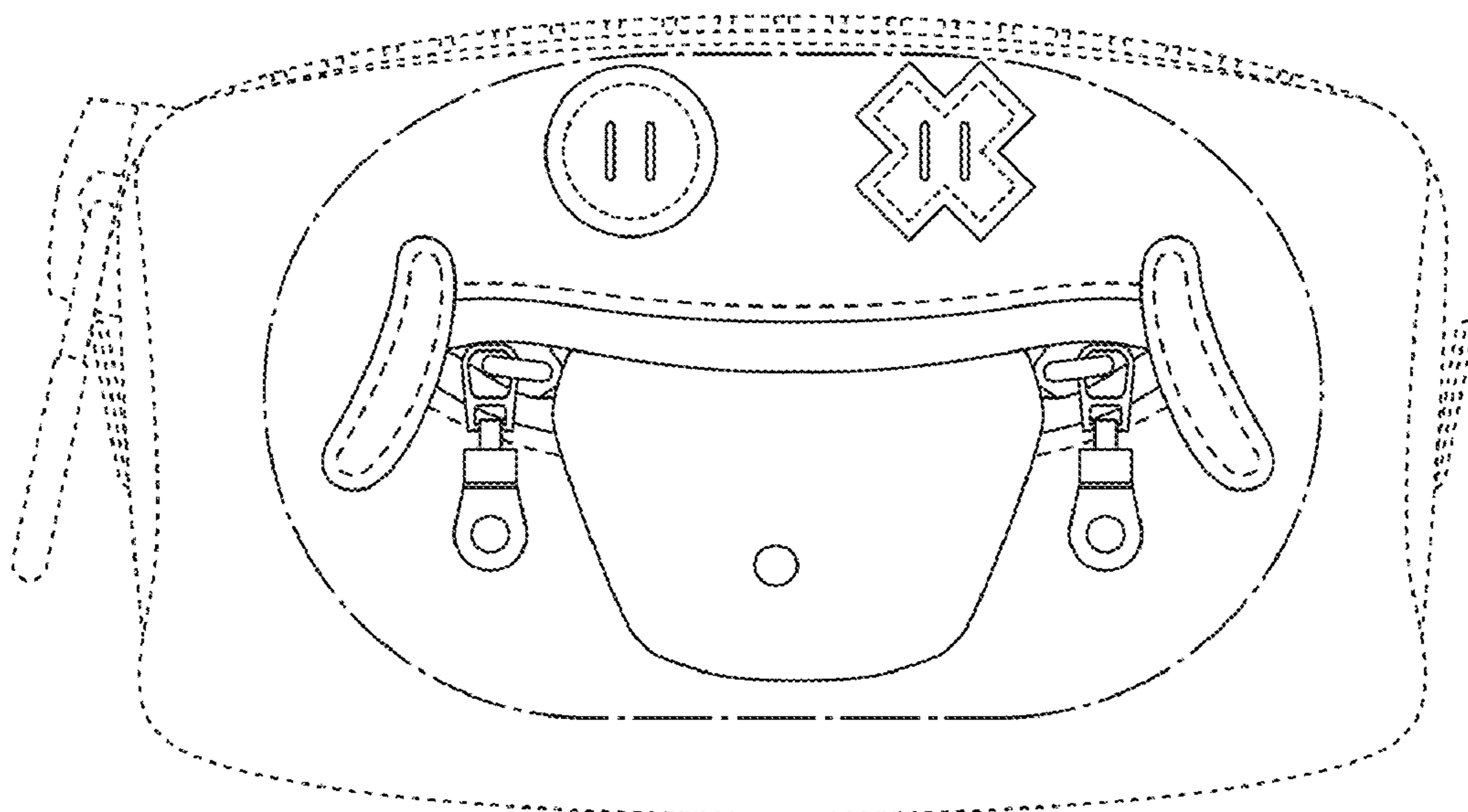
The dashed broken lines that appear in FIGS. 1 and 7 depict stitching lines which are part of the claimed design. The dotted broken lines in the figure drawings are included for the purpose of illustrating environment and form no part of the claimed design. The dot-dash broken lines that appear in FIGS. 1 and 7 form the boundary of the claimed design, which also forms no part of the claimed design.

(56) **References Cited**

U.S. PATENT DOCUMENTS

D594,651 S * 6/2009 Fendi D3/243
D630,433 S * 1/2011 Targett D3/232
D703,431 S * 4/2014 Taylor D3/243

1 Claim, 7 Drawing Sheets



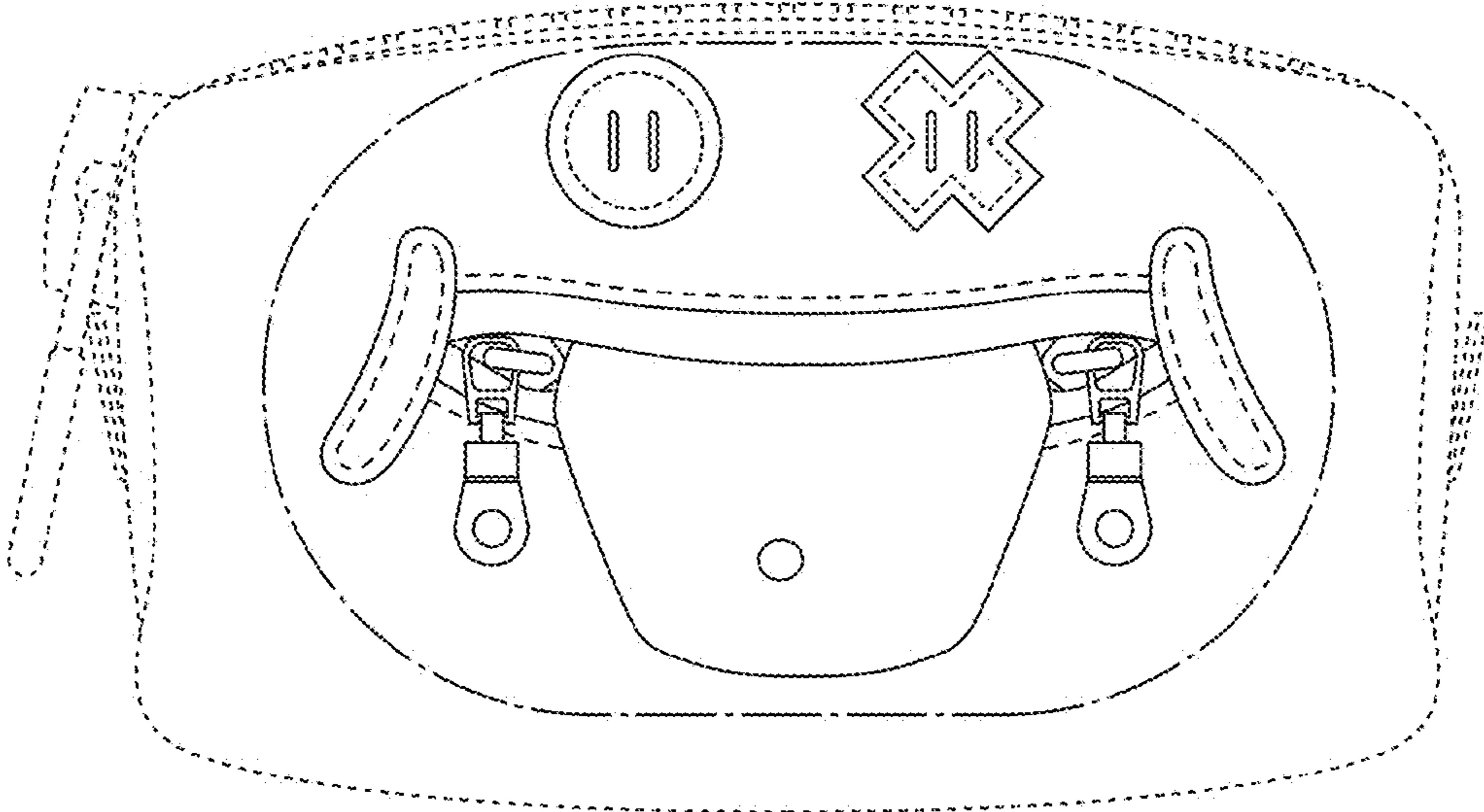


FIG. 1

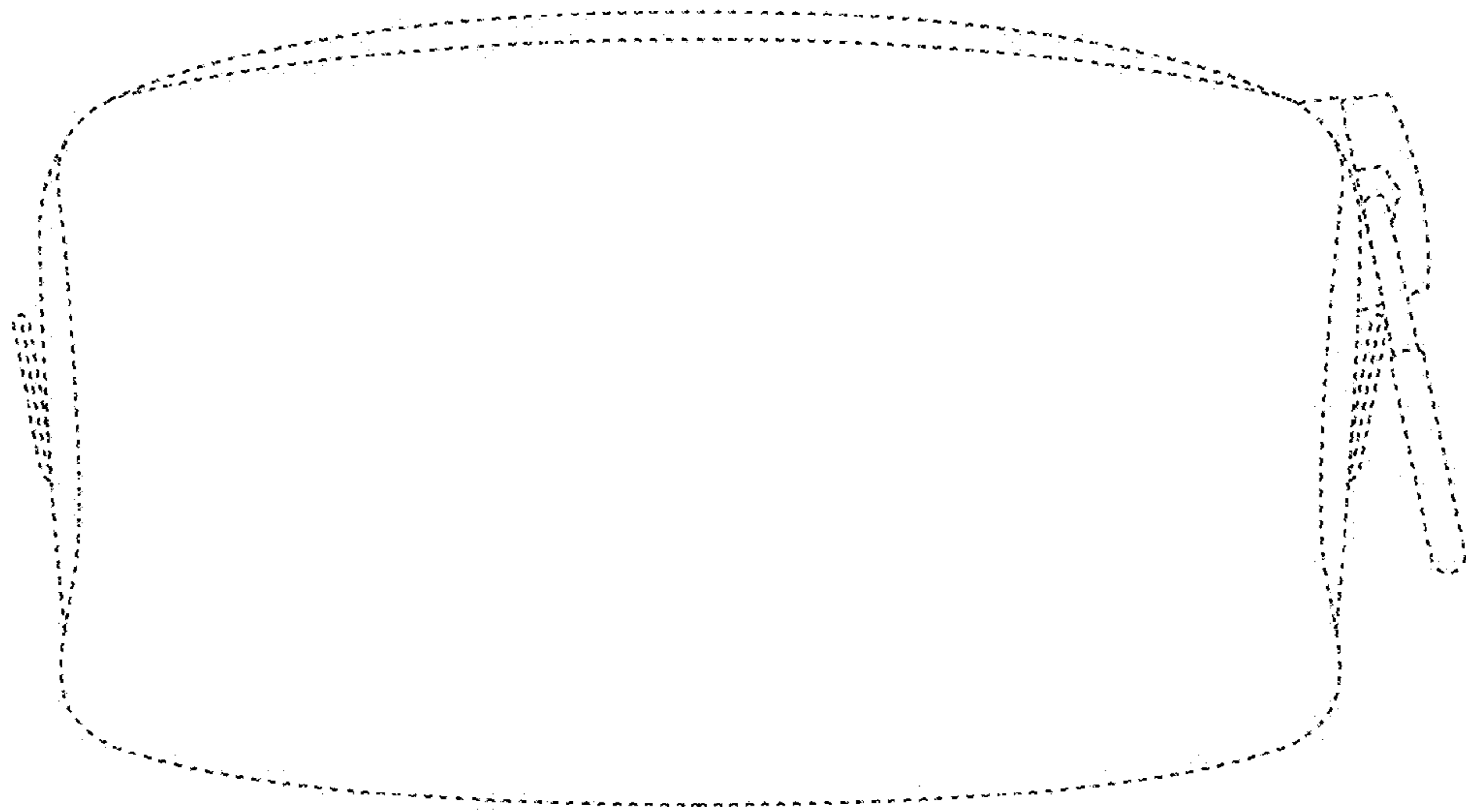


FIG. 2

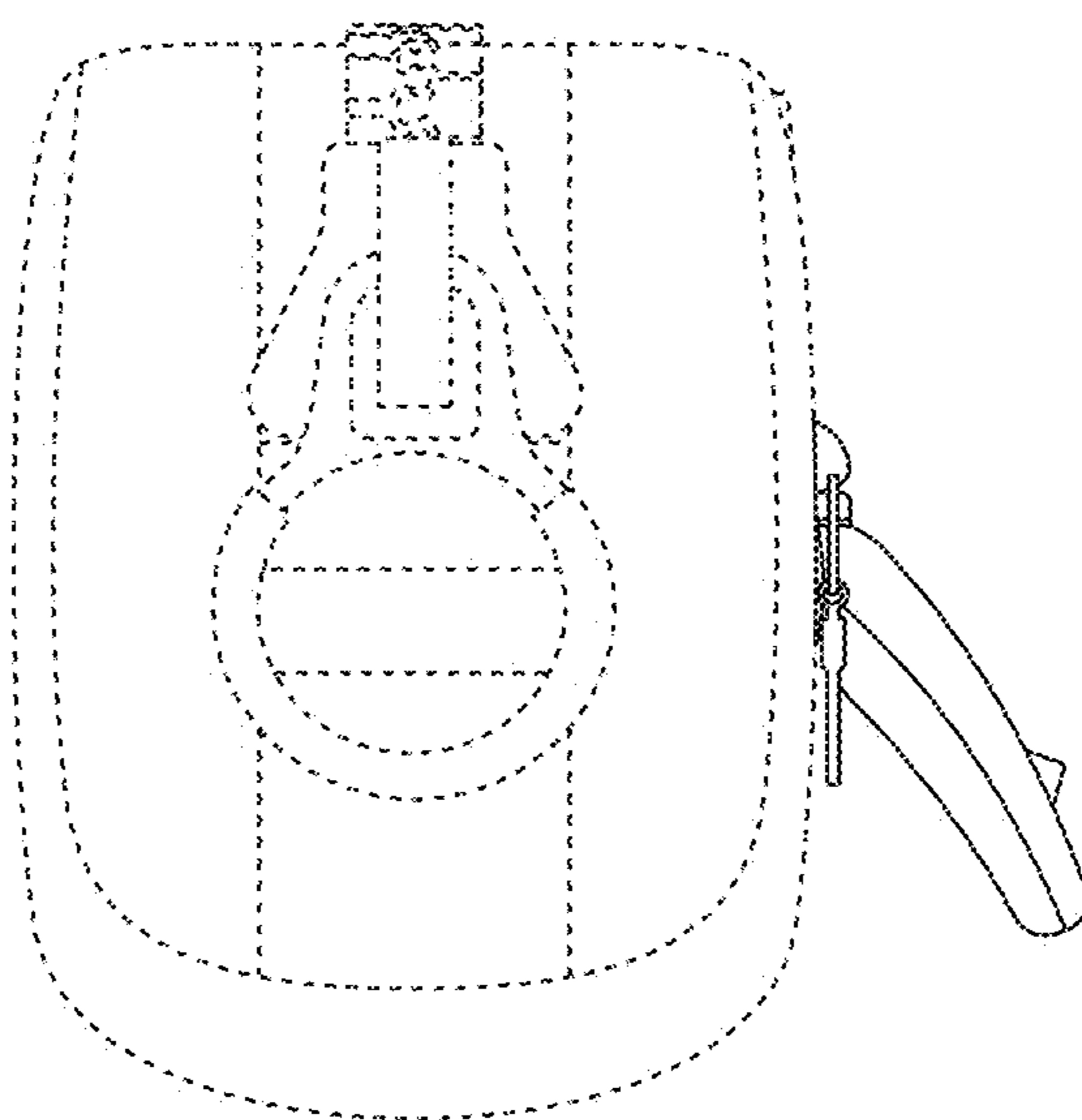


FIG. 3

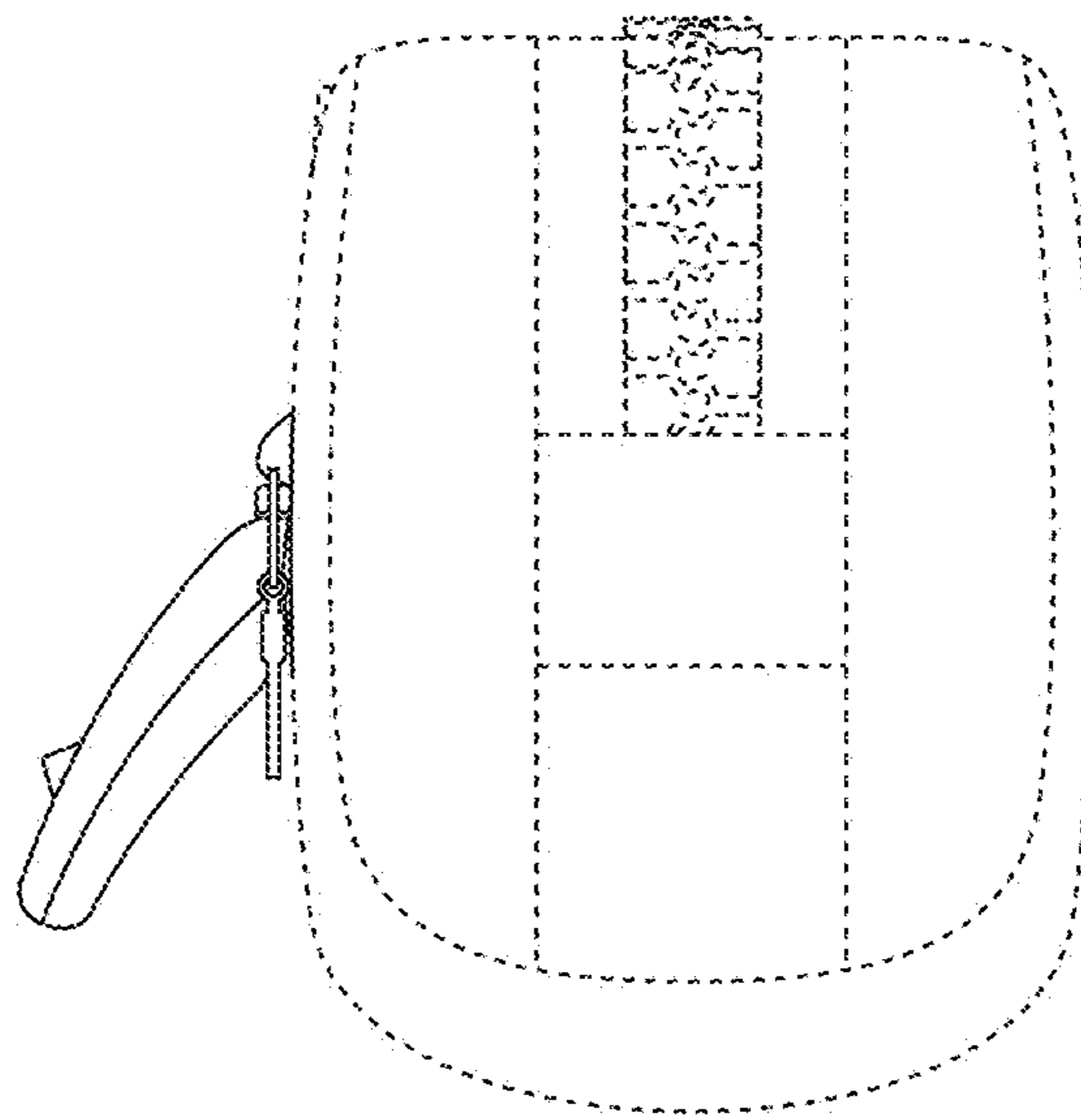


FIG. 4

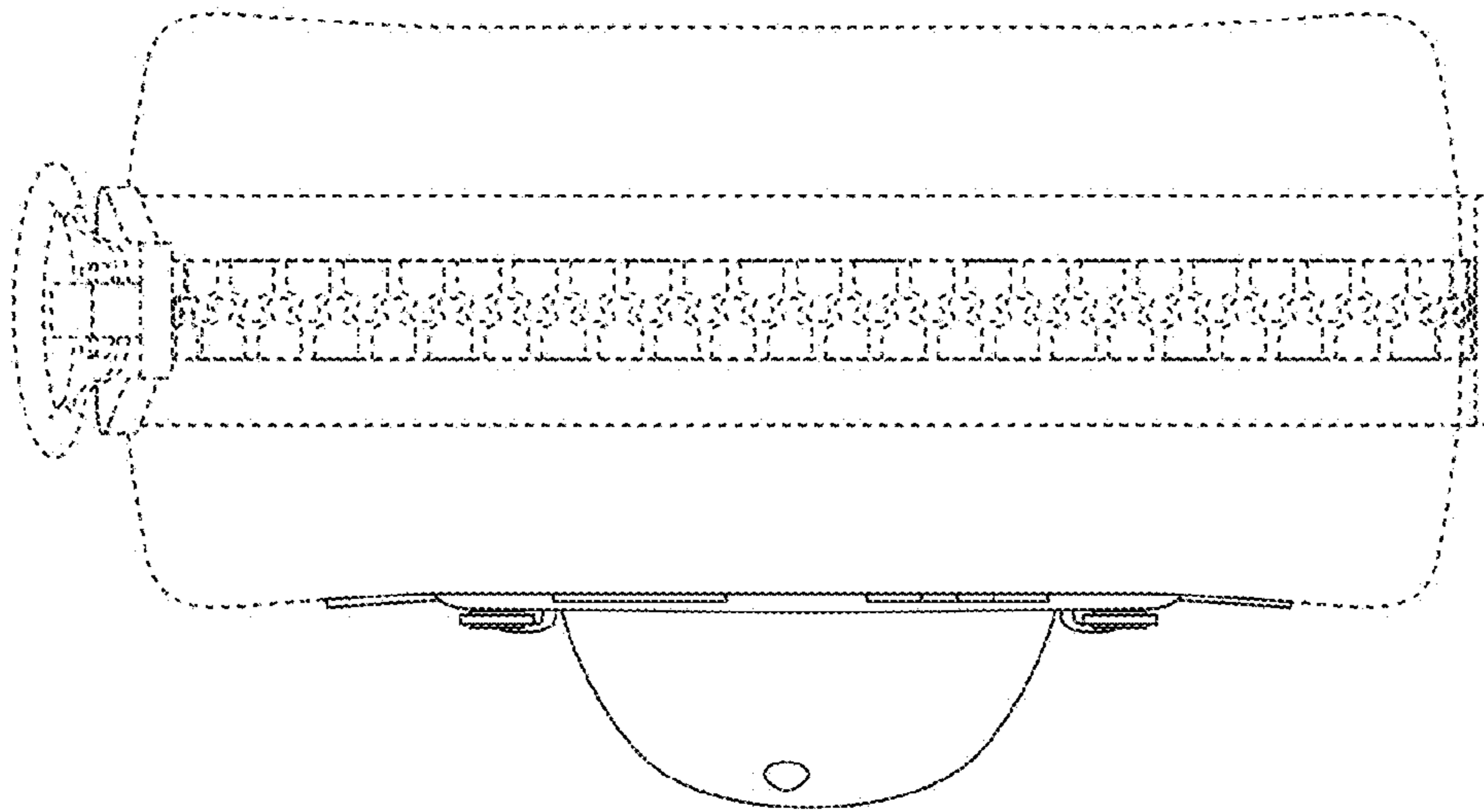


FIG. 5

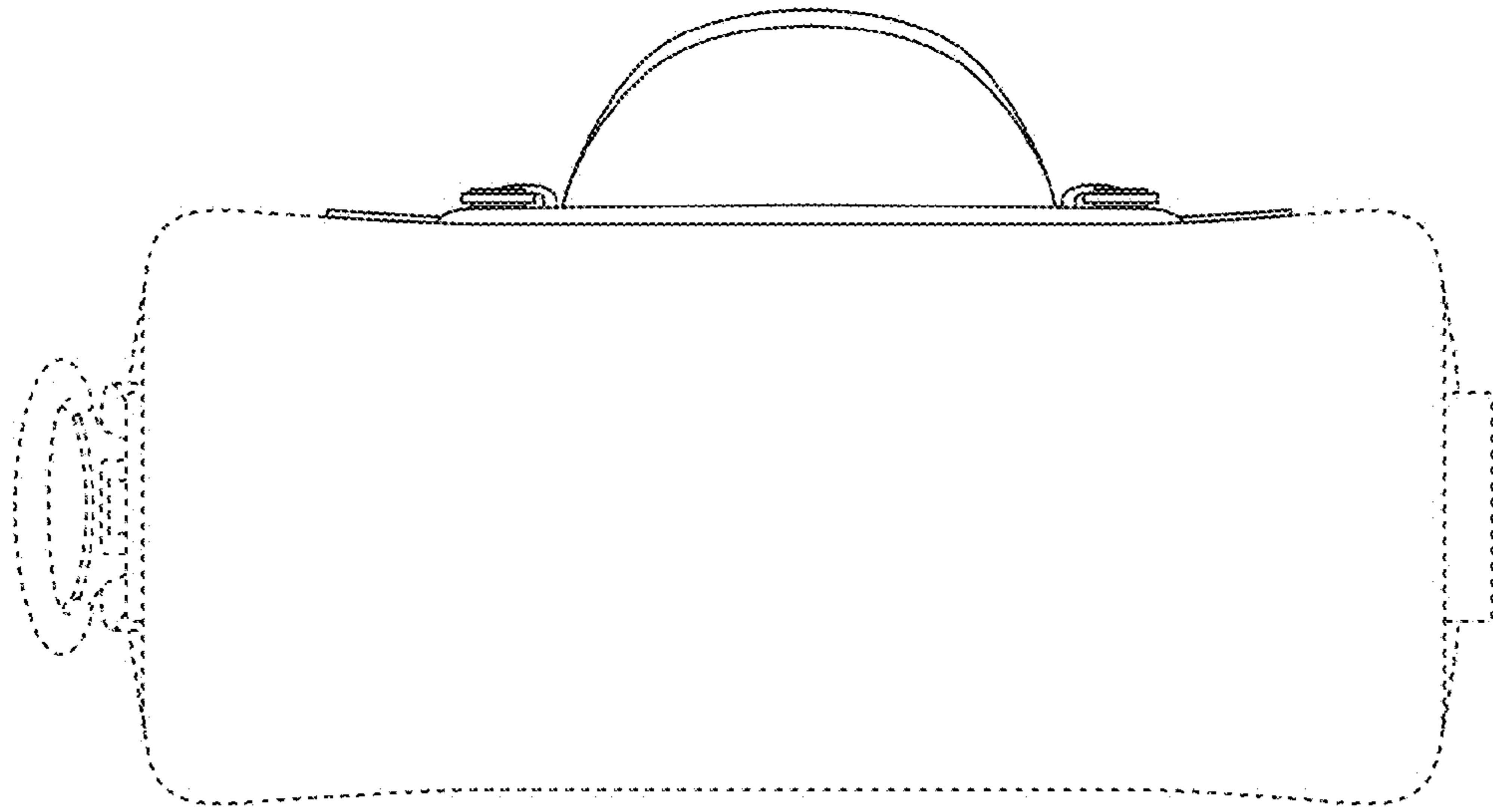


FIG. 6

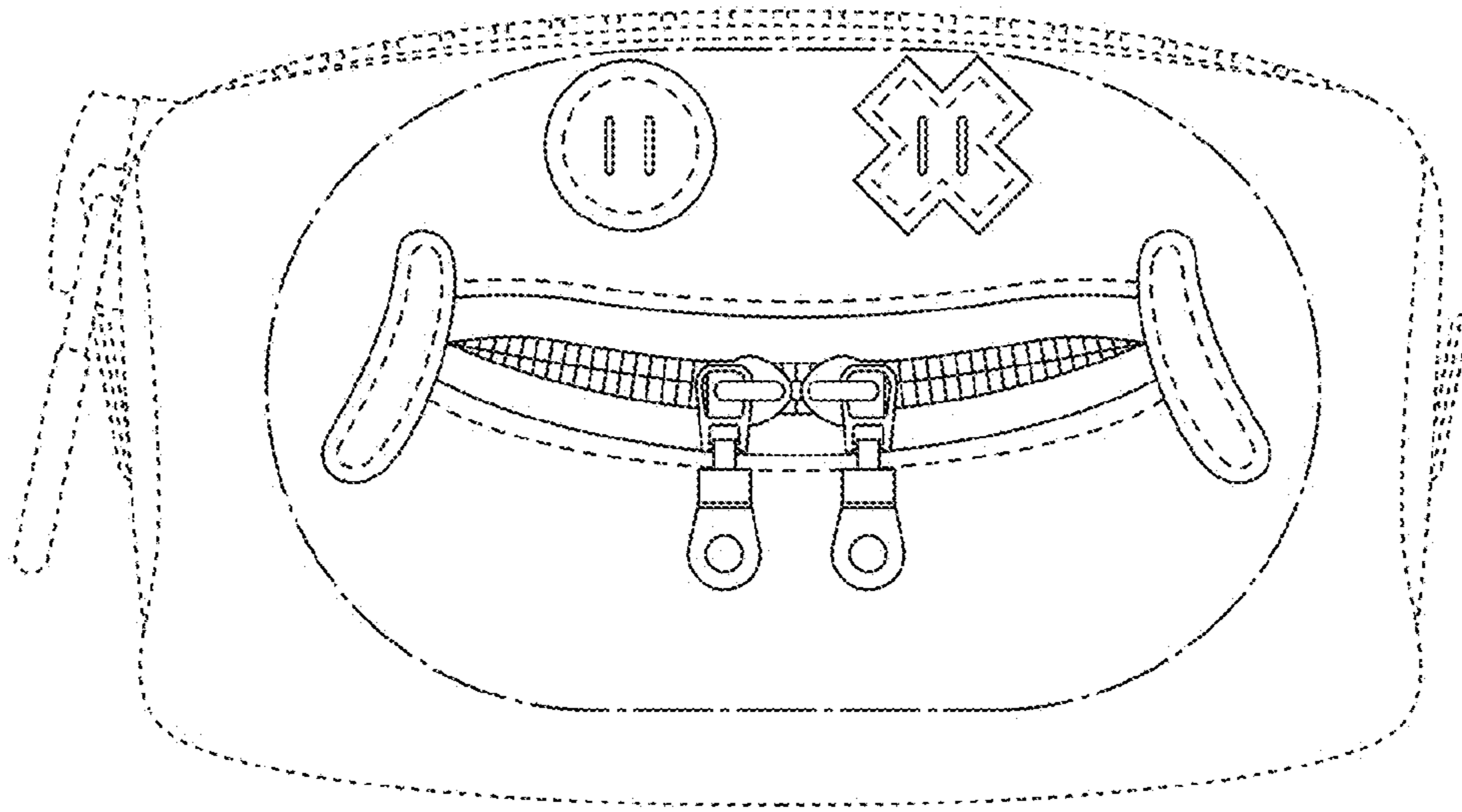


FIG. 7