



US00D719354S

(12) **United States Design Patent**
Yu

(10) **Patent No.:** **US D719,354 S**

(45) **Date of Patent:** **** Dec. 16, 2014**

(54) **PURSE DUST COVER**

(71) Applicant: **Toy D. Yu**, Houston, TX (US)

(72) Inventor: **Toy D. Yu**, Houston, TX (US)

(**) Term: **14 Years**

(21) Appl. No.: **29/442,735**

(22) Filed: **Apr. 30, 2013**

(51) **LOC (10) Cl.** **03-01**

(52) **U.S. Cl.**
USPC **D3/318**

(58) **Field of Classification Search**
CPC A45C 1/024; A45C 3/06
USPC D3/232–233, 240–243, 245–246, 318;
150/100, 103–110, 113–114, 117–119
See application file for complete search history.

(56) **References Cited**

U.S. PATENT DOCUMENTS

2,428,159	A	9/1947	Hines	
2,622,647	A *	12/1952	Arnthal	150/118
D180,342	S *	5/1957	Reed	D3/283
3,669,169	A *	6/1972	Lubliner	150/107
4,236,559	A	12/1980	Archbold	
D286,229	S	10/1986	Knoepke et al.	
5,390,717	A	2/1995	Schenker	
D380,607	S	7/1997	Leben	
D446,642	S *	8/2001	Dix	D3/243

D461,954	S	8/2002	Guyon	
D495,877	S *	9/2004	Thorsen	D3/246
D501,600	S	2/2005	Guyon	
D512,563	S	12/2005	Suppancig	
D534,351	S	1/2007	Tortorella et al.	
D537,357	S *	2/2007	Holt	D9/631
D564,223	S *	3/2008	Messineo	D3/243
D584,047	S *	1/2009	Messineo	D3/243
D609,004	S *	2/2010	Dolce et al.	D3/240
2007/0181451	A1	8/2007	Jones	

* cited by examiner

Primary Examiner — Holly Baynham

(57) **CLAIM**

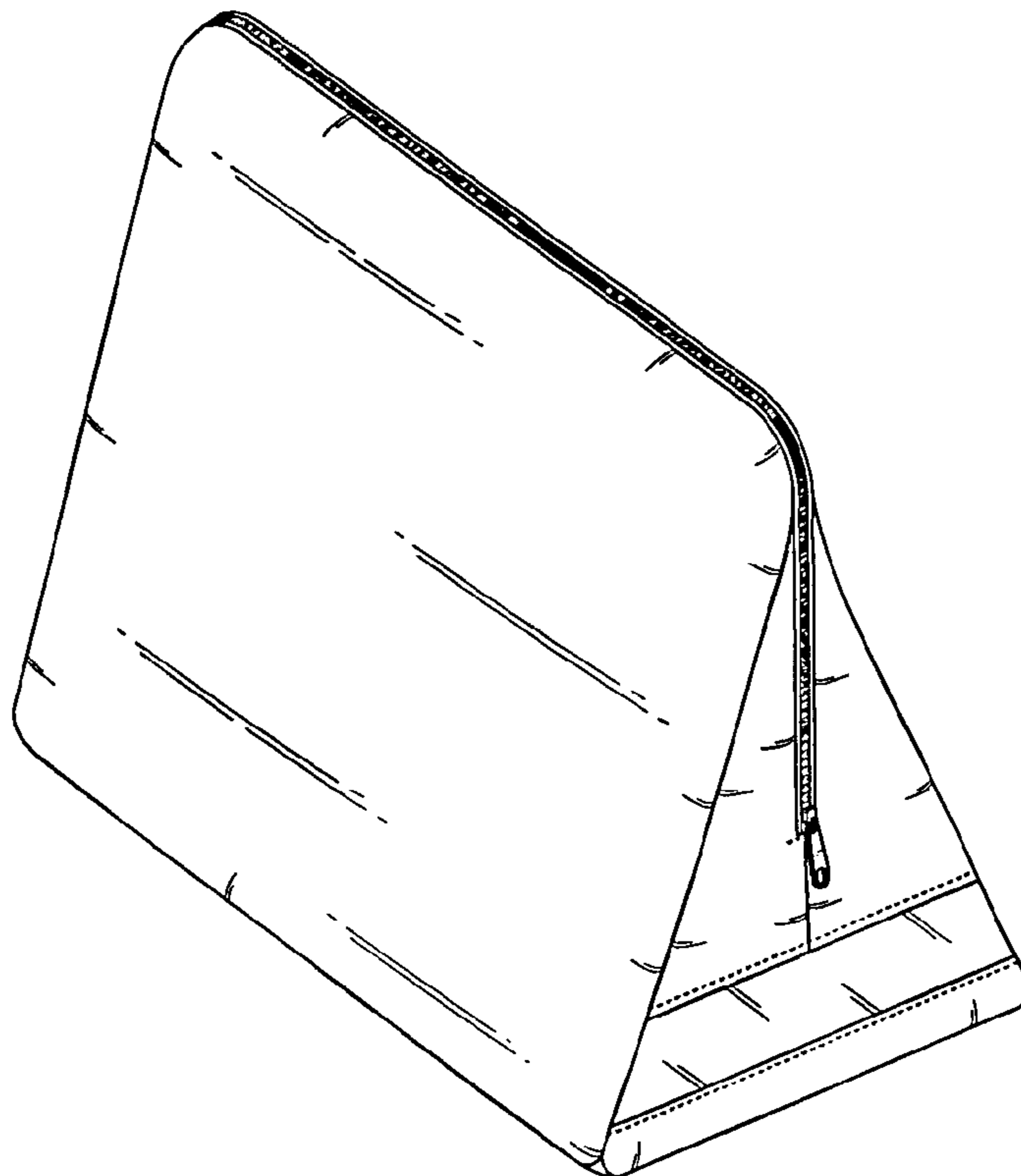
The ornamental design of a purse dust cover, as shown and described.

DESCRIPTION

FIG. 1 is a back perspective view depicting a purse dust cover showing my new design;
FIG. 2 is a front perspective view thereof;
FIG. 3 is a left side elevational view thereof;
FIG. 4 is a right side elevational view thereof;
FIG. 5 is a back elevational view thereof;
FIG. 6 is a front elevational view thereof;
FIG. 7 is a bottom plan view thereof; and,
FIG. 8 is a top plan view thereof.

The broken lines showing the word “LOGO” are for the purposes of illustrating environment and form no part of the claimed design. The smaller broken lines represent stitching and form no part of the claimed design.

1 Claim, 4 Drawing Sheets



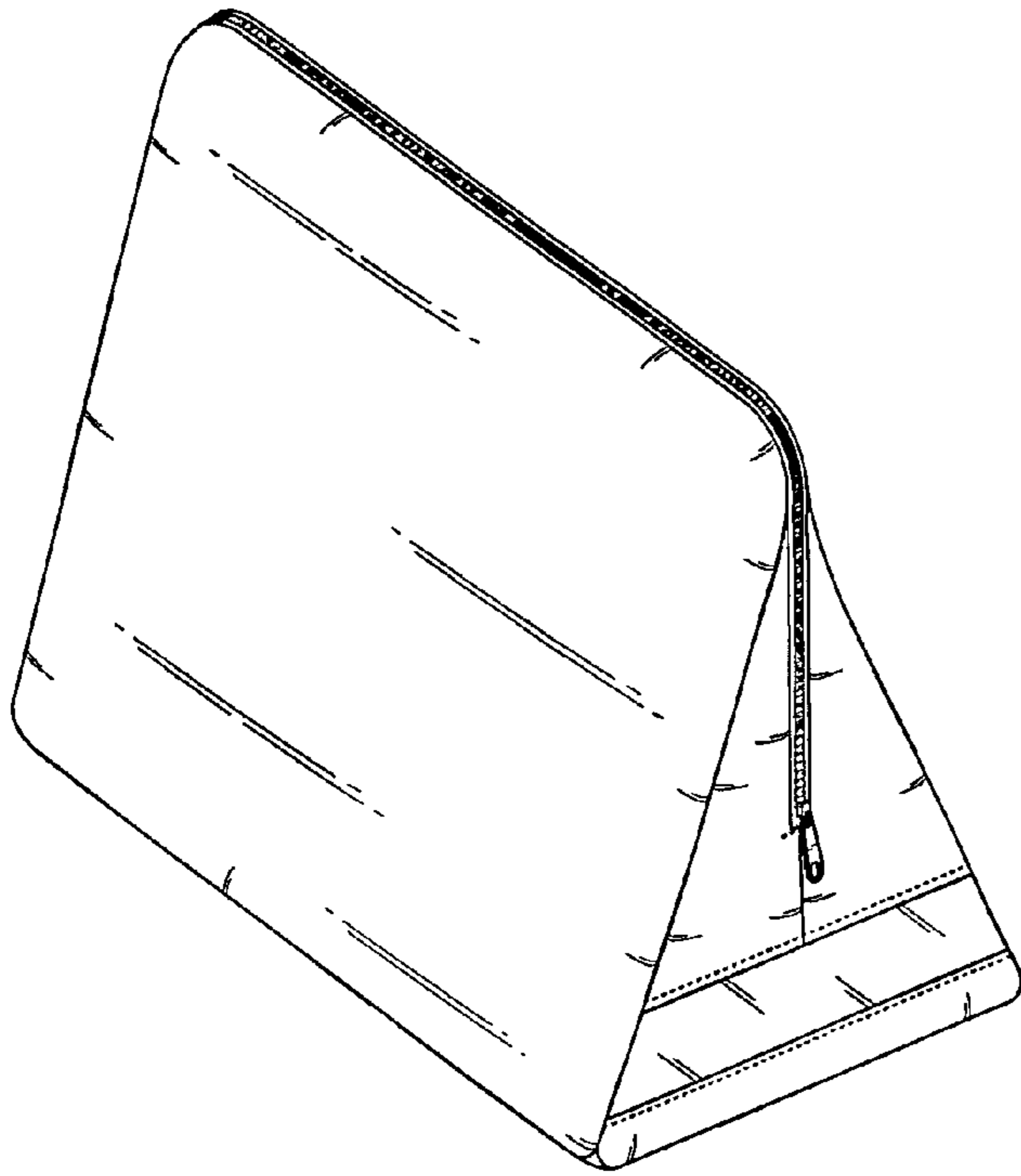


FIG. 1

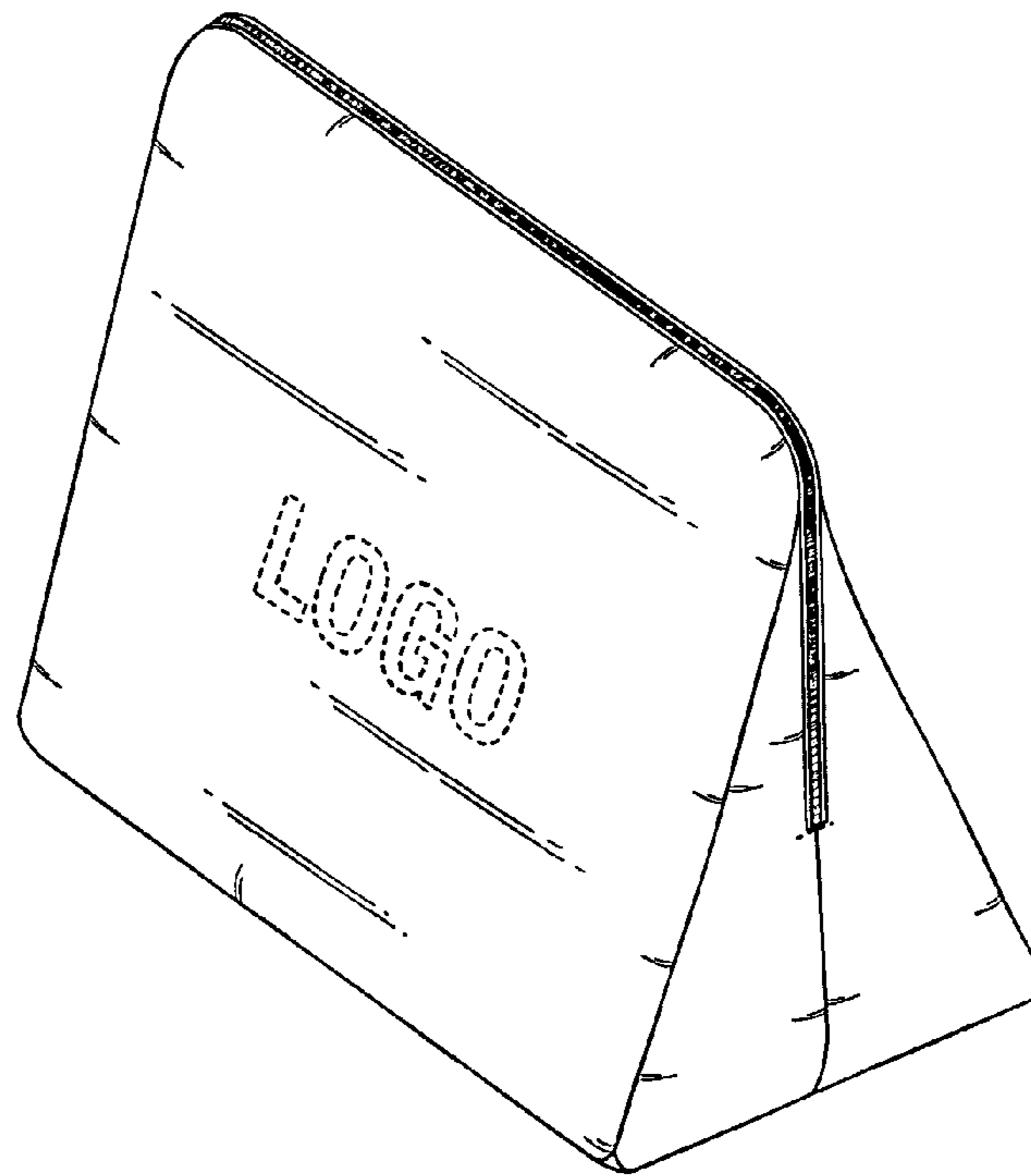


FIG. 2

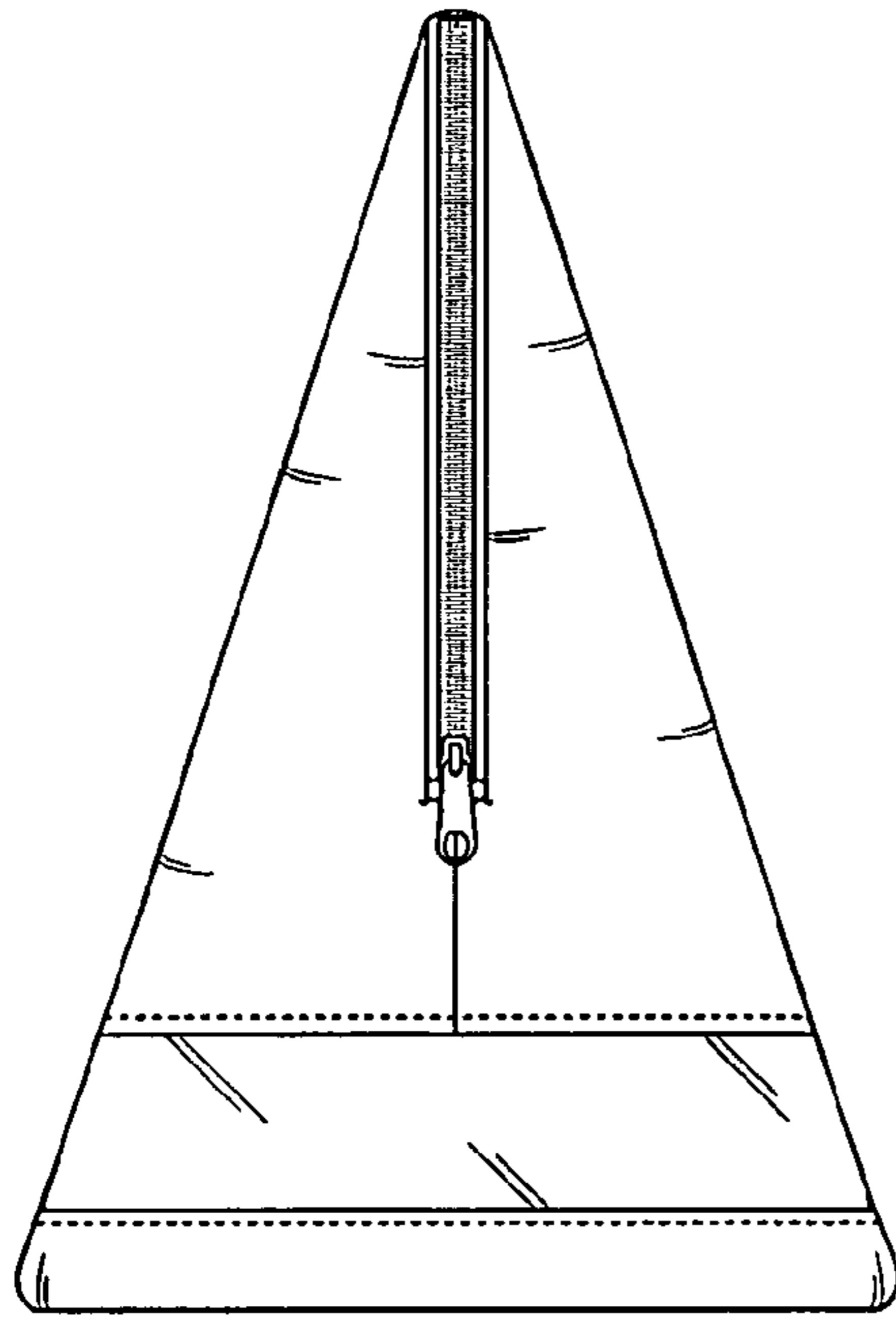


FIG. 3

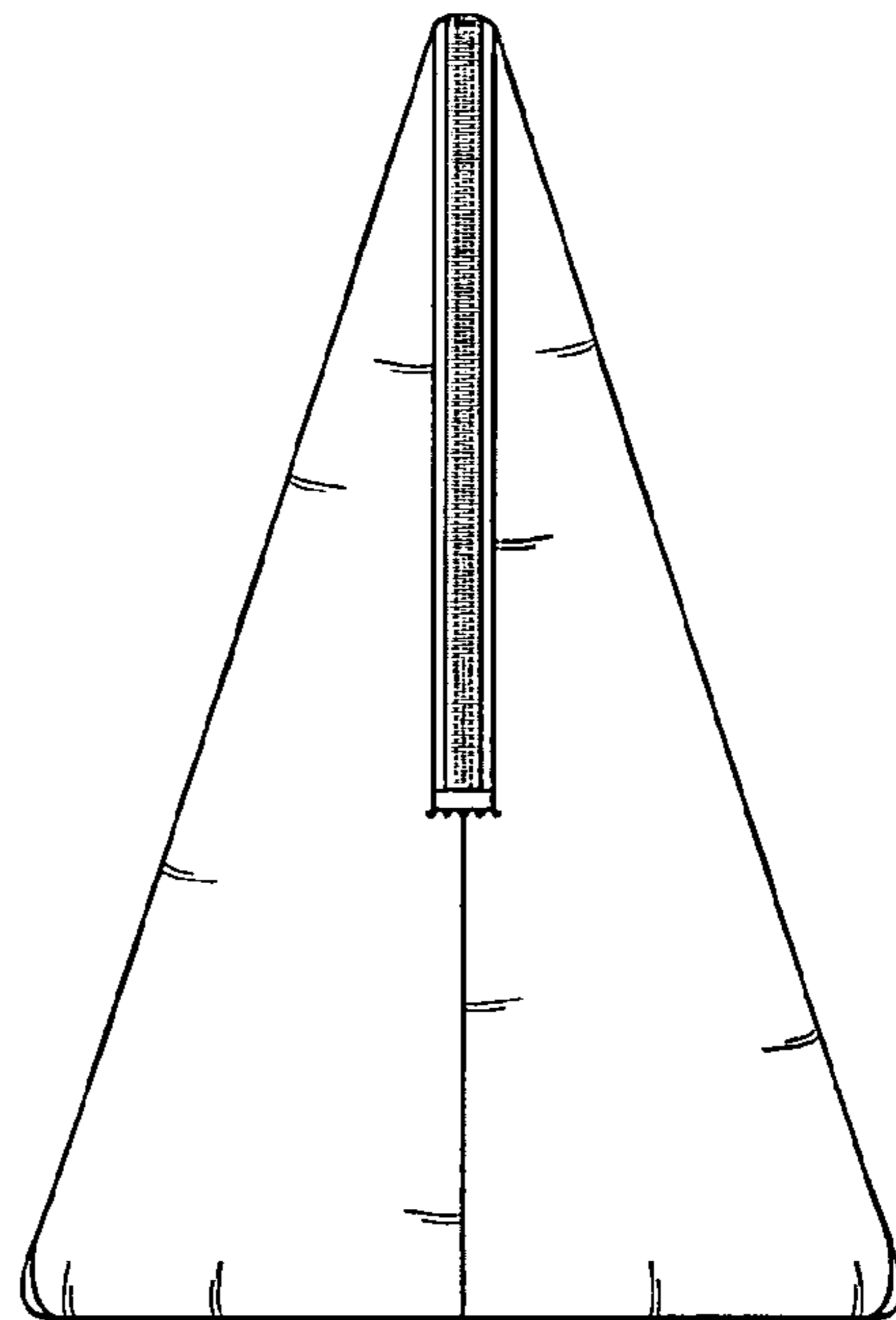


FIG. 4

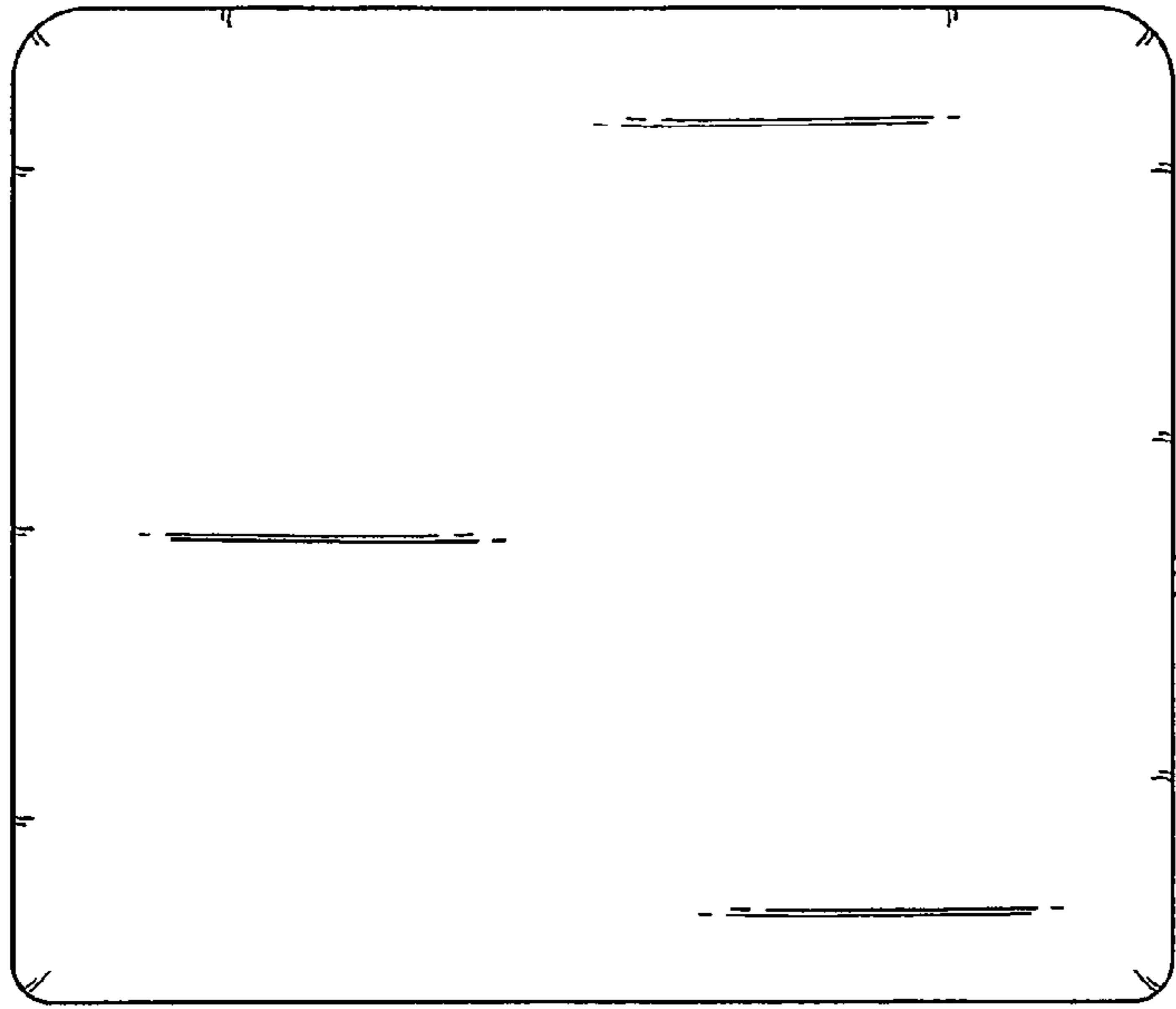


FIG. 5

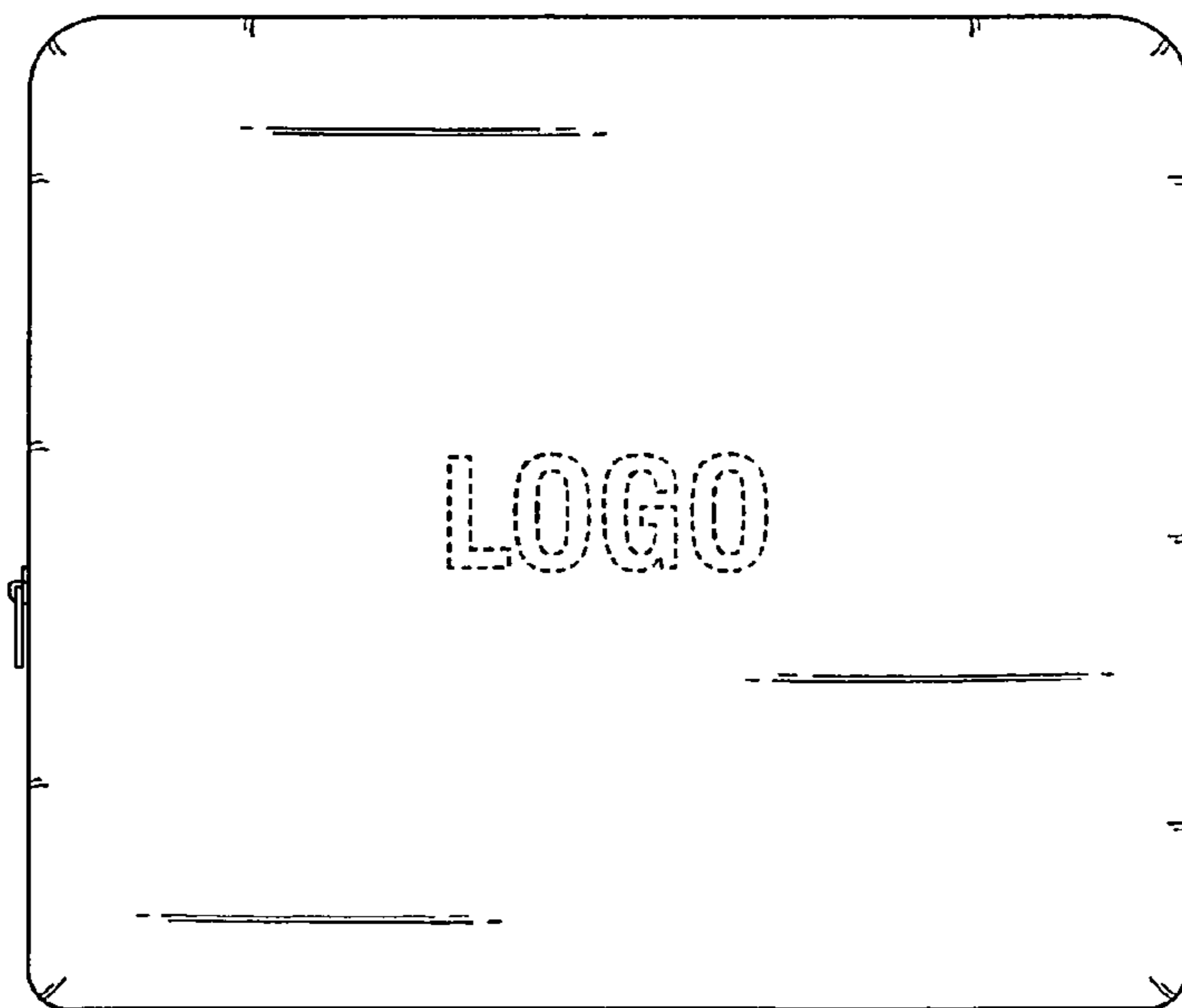


FIG. 6

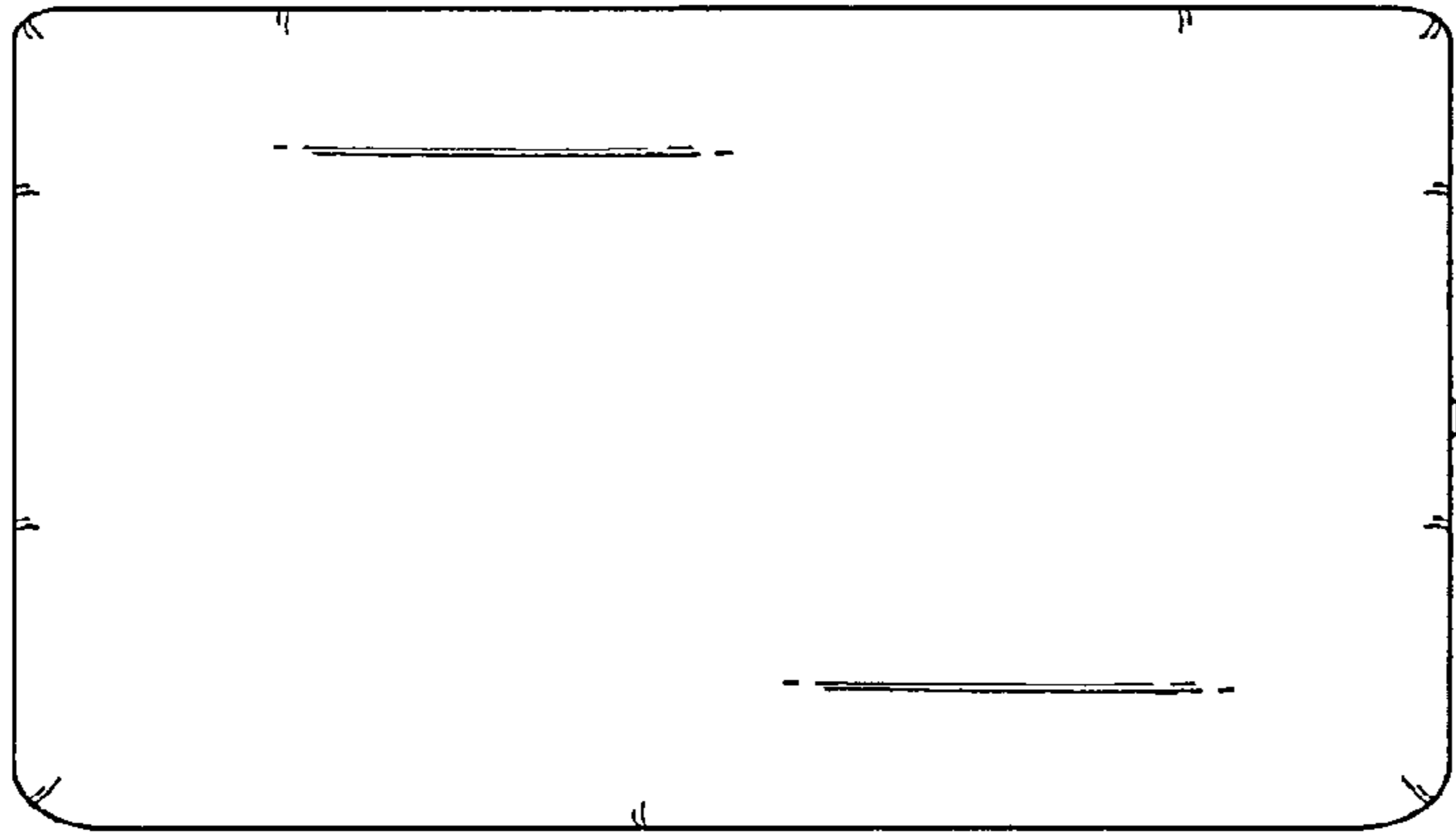


FIG. 7

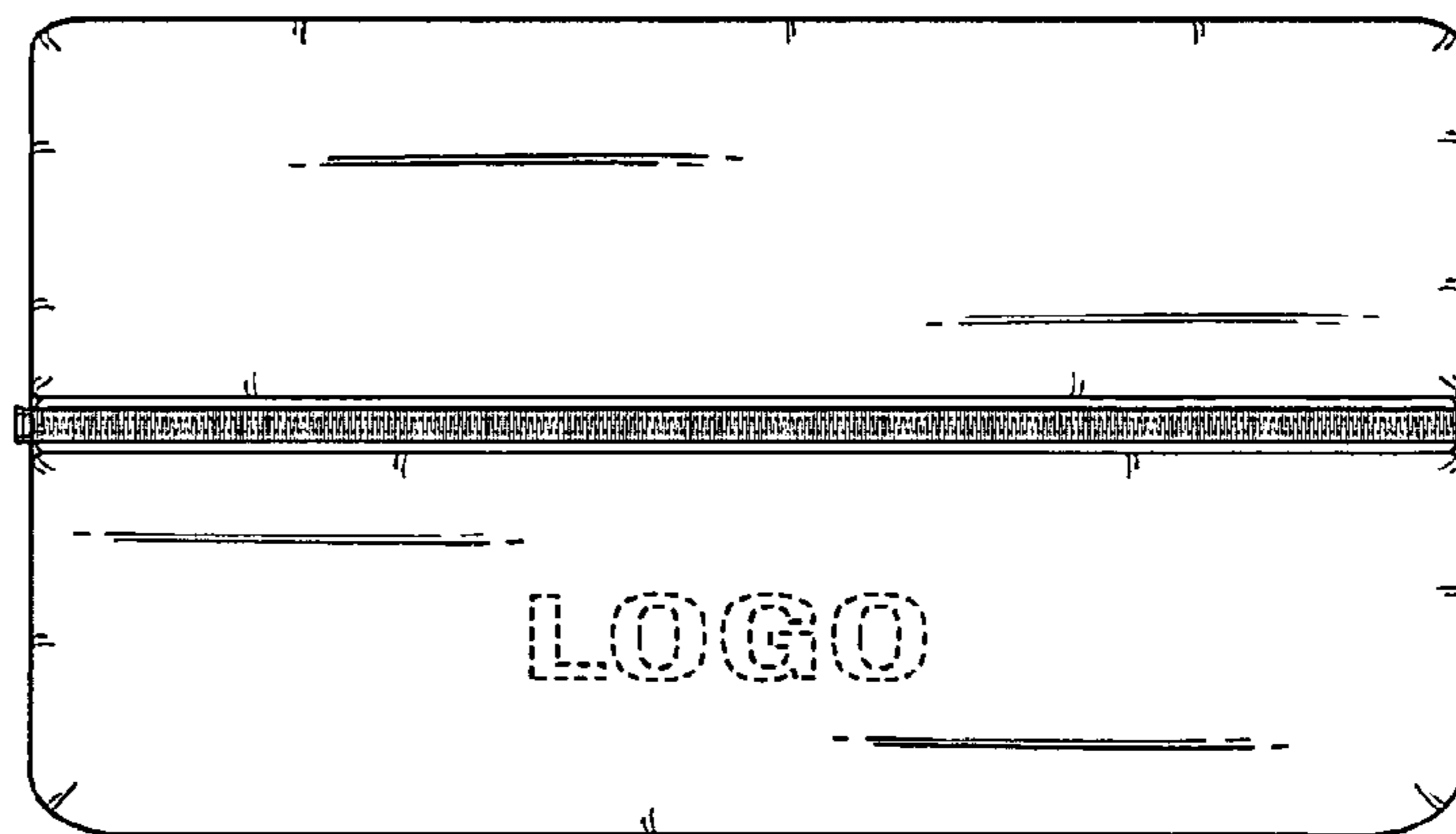


FIG. 8