



US00D719352S

(12) **United States Design Patent**
Shitrit

(10) **Patent No.:** **US D719,352 S**

(45) **Date of Patent:** **** Dec. 16, 2014**

(54) **TOOL BOX**

(71) Applicant: **The Stanley Works Israel, Ltd.**, Rosh
Ha'Ayin, IL (US)

(72) Inventor: **Elad Hay Shitrit**, Tel Aviv, IL (US)

(73) Assignee: **The Stanley Works Israel Ltd.**, Rosh
Ha ' Ayin (IL)

(**) Term: **14 Years**

(21) Appl. No.: **29/484,419**

(22) Filed: **Mar. 10, 2014**

(30) **Foreign Application Priority Data**

Sep. 10, 2013 (EM) 001382808-0001

(51) **LOC (10) Cl.** **03-01**

(52) **U.S. Cl.**
USPC **D3/282**; D3/294; D3/905

(58) **Field of Classification Search**
USPC D3/280–288, 291–297, 900–905, 272,
D3/273, 276, 302; D9/415; 190/110, 111,
190/112; 206/372–379, 324, 349, 508;
220/523–528, 315, 324, 326

See application file for complete search history.

(56) **References Cited**

U.S. PATENT DOCUMENTS

D406,192	S	*	3/1999	Schurman	D3/282
D426,705	S	*	6/2000	Fang	D3/282
D516,311	S	*	3/2006	Lai	D3/282
D572,479	S	*	7/2008	Buck et al.	D3/282
D601,797	S	*	10/2009	Wenchel et al.	D3/294
D608,094	S	*	1/2010	Concari et al.	D3/282
D639,059	S	*	6/2011	Fraiman et al.	D3/282
D668,455	S	*	10/2012	Chang	D3/282
D703,437	S	*	4/2014	Bar-Erez	D3/282
2005/0109650	A1	*	5/2005	Huang	206/372

* cited by examiner

Primary Examiner — Jennifer Rivard

Assistant Examiner — April Rivas

(74) *Attorney, Agent, or Firm* — Gabriel A. Haboubi

(57) **CLAIM**

The ornamental design for a tool box, as shown and described.

DESCRIPTION

FIG. 1 is a left front perspective view of my new design.

FIG. 2 is a front view thereof.

FIG. 3 is a rear view thereof.

FIG. 4 is a left side view thereof.

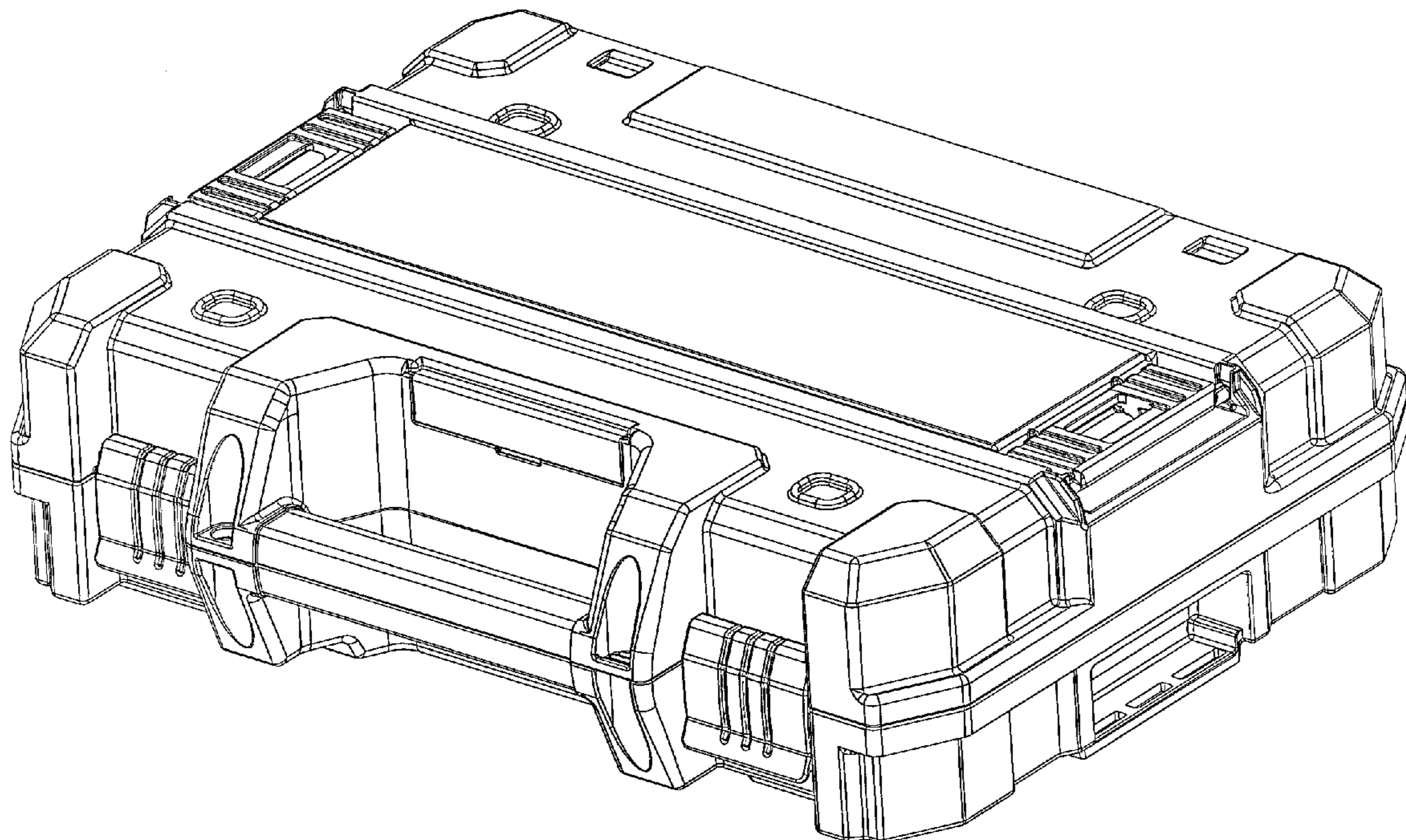
FIG. 5 is a right side view thereof.

FIG. 6 is a top view thereof; and,

FIG. 7 is a bottom view thereof.

The broken lines illustrate portions of the tool box and form no part of the claimed design.

1 Claim, 5 Drawing Sheets



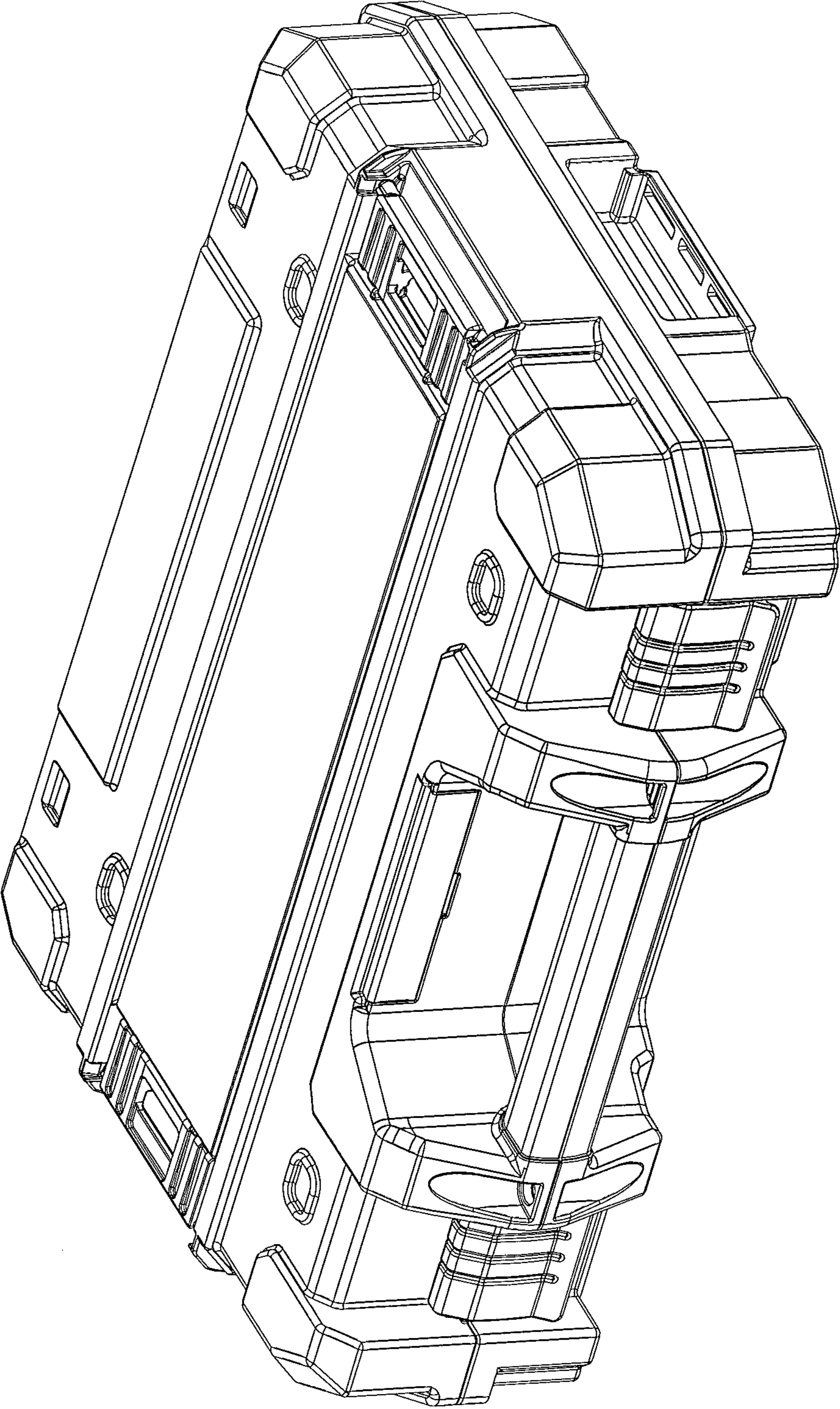


FIG.1

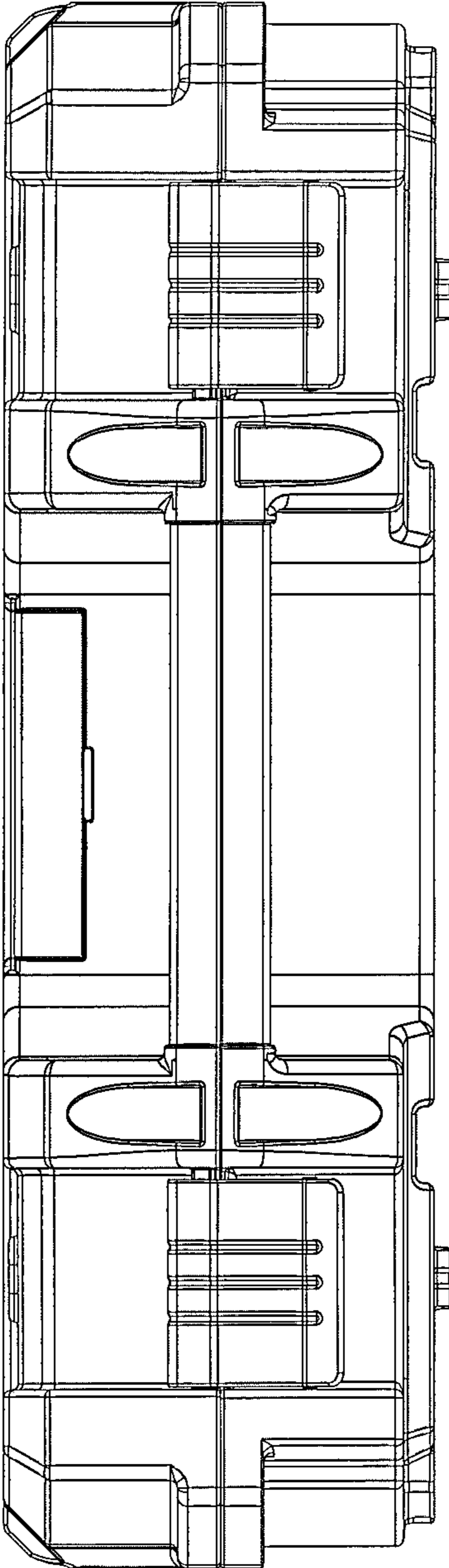


FIG. 2

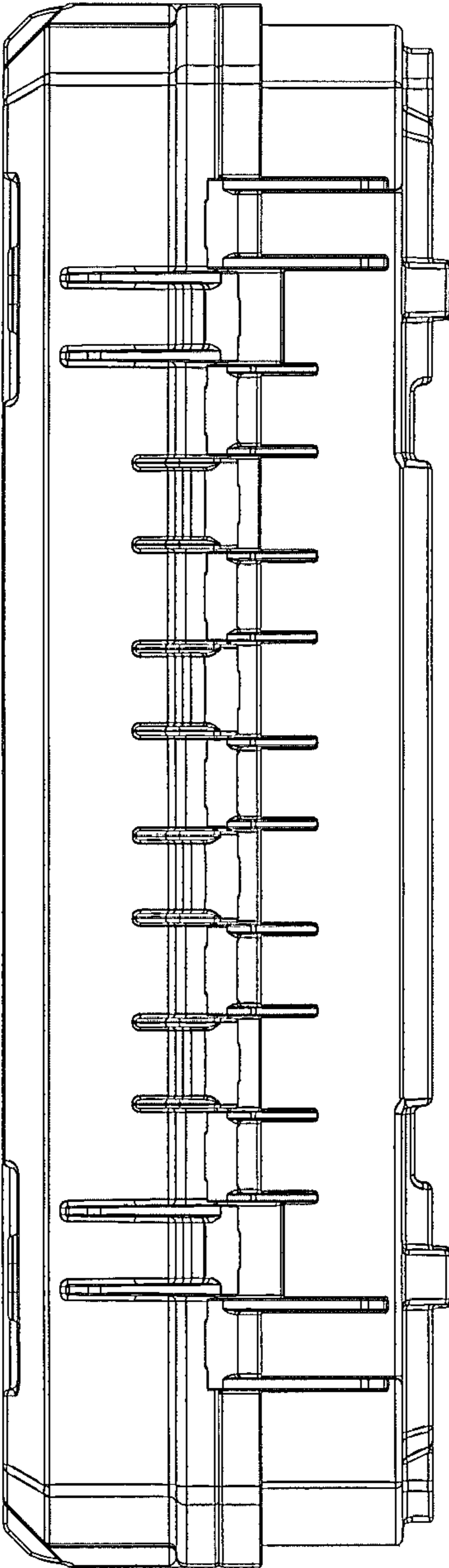


FIG. 3

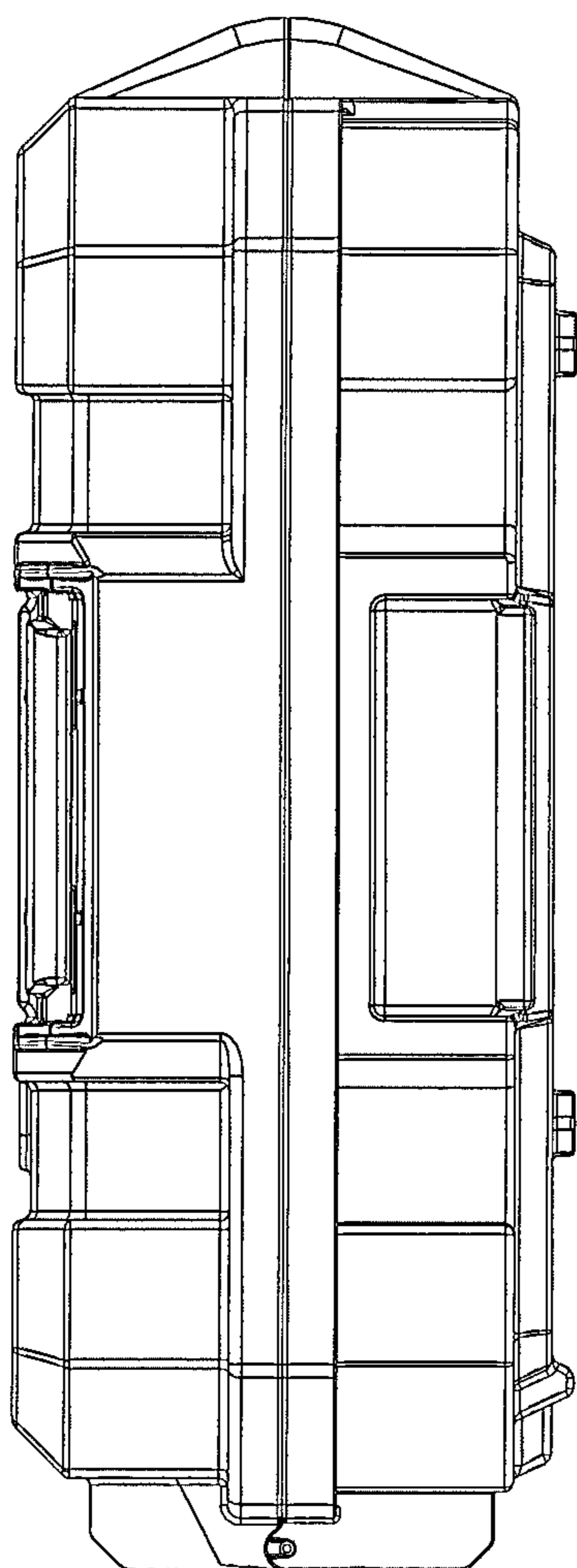


FIG.4

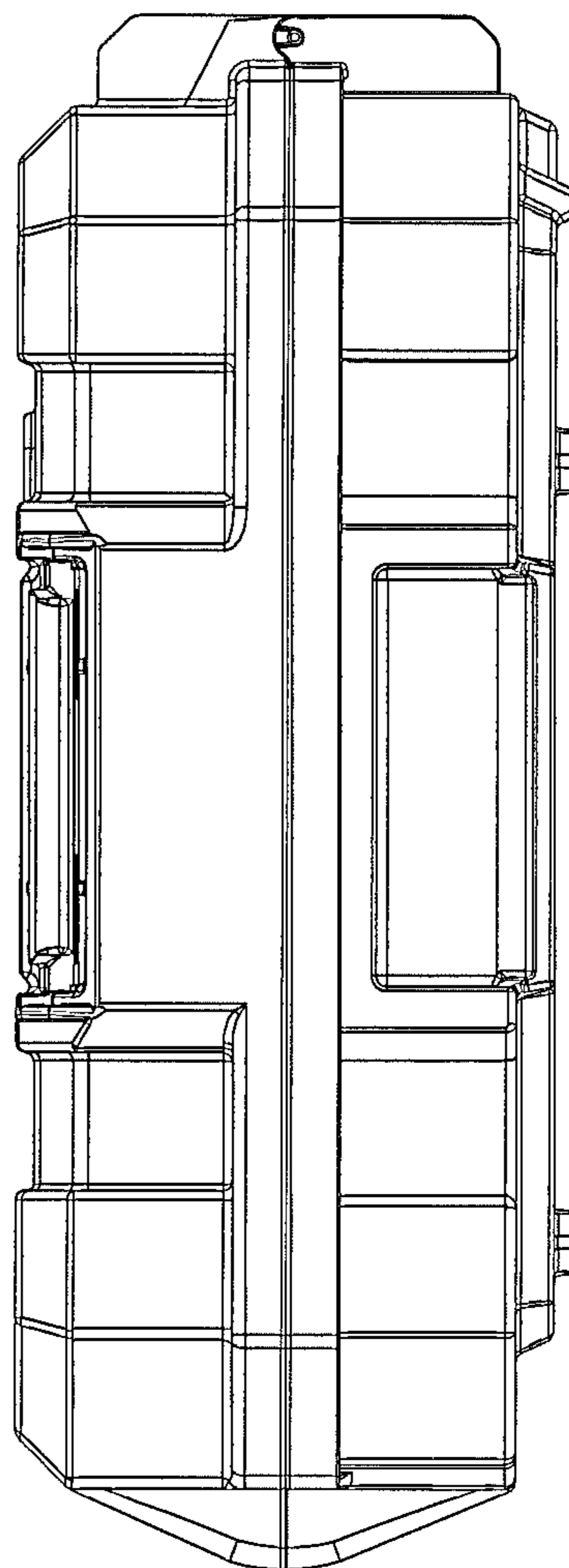


FIG.5

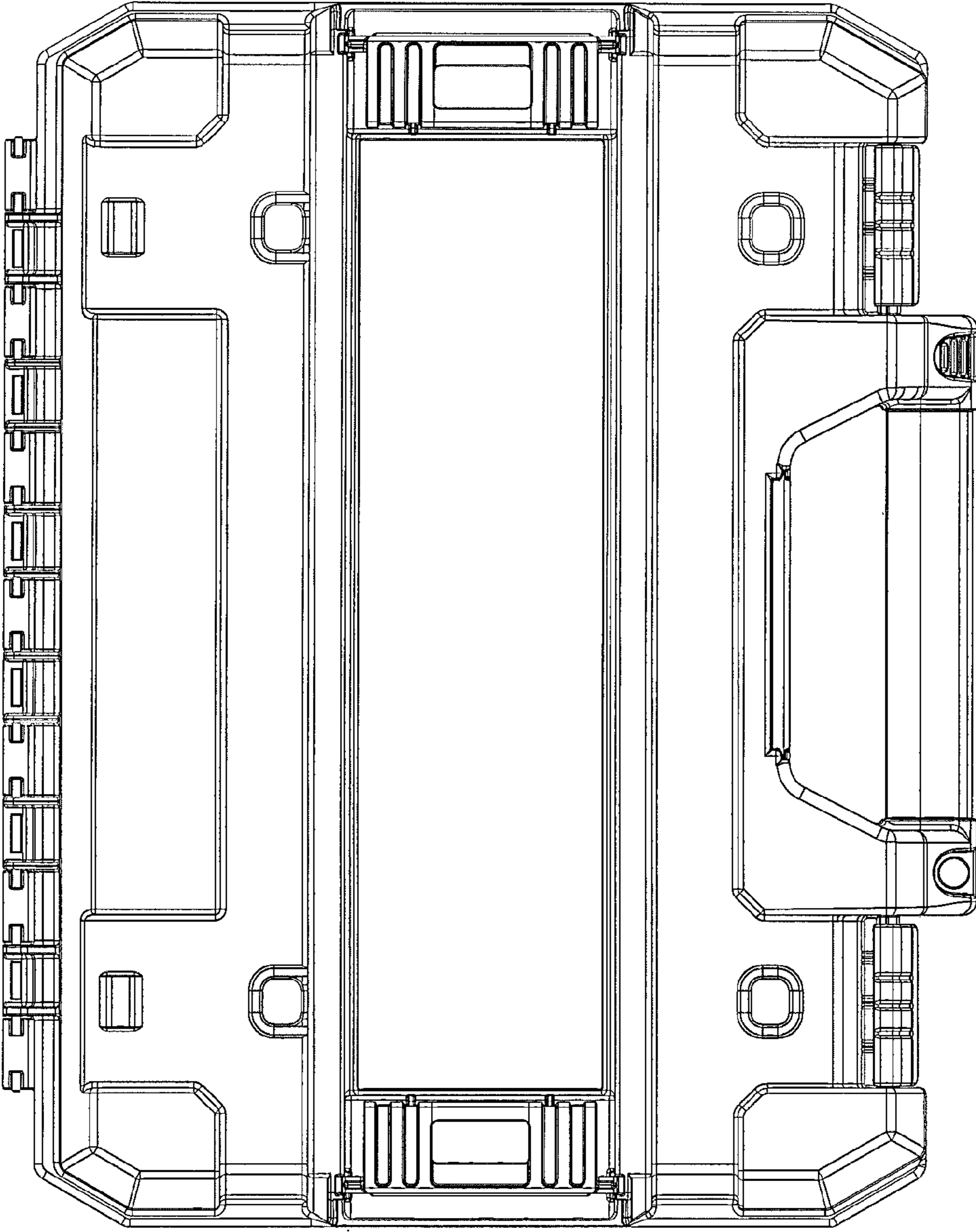


FIG.6

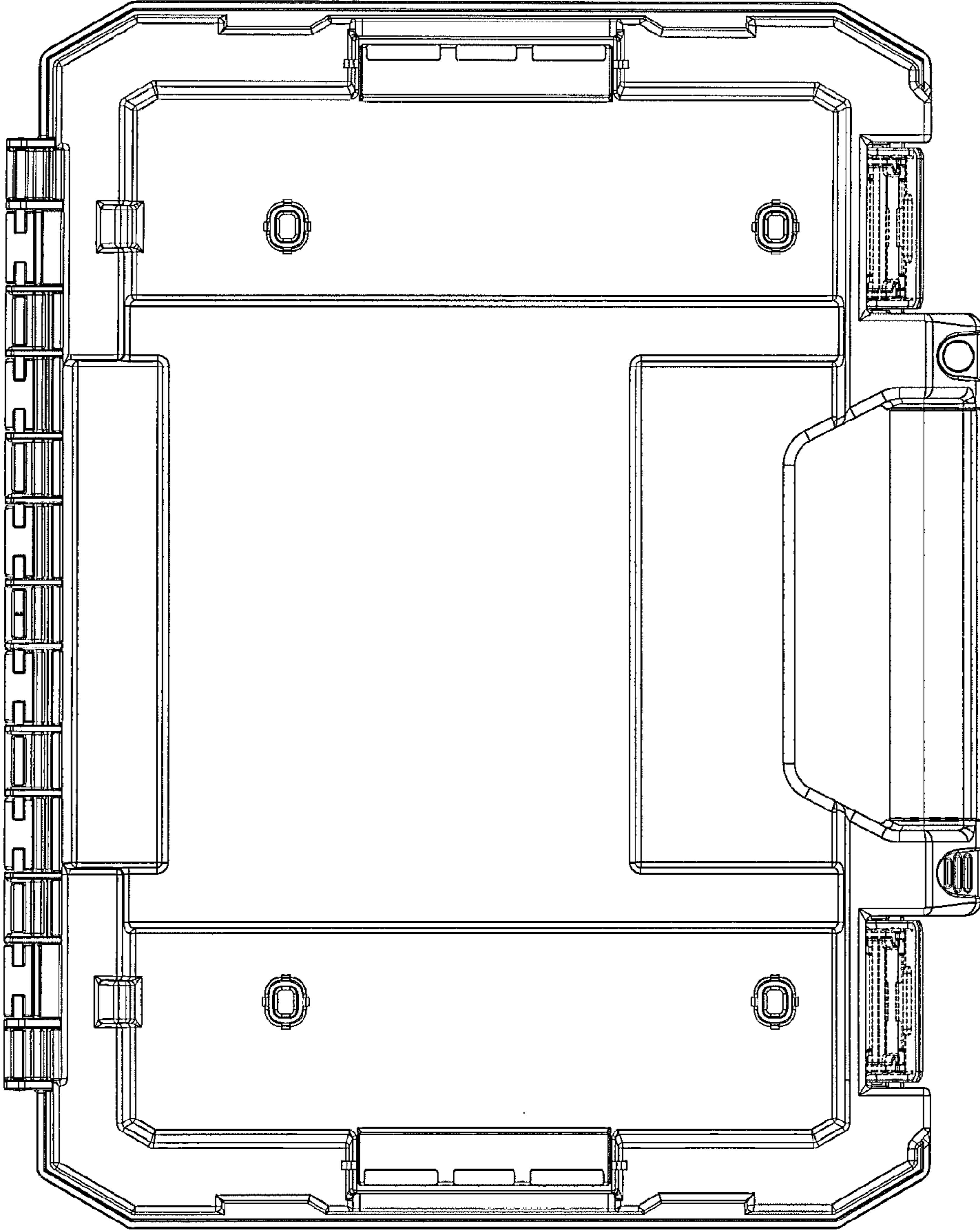


FIG.7