



US00D719351S

(12) **United States Design Patent**
Hailwood

(10) **Patent No.:** **US D719,351 S**

(45) **Date of Patent:** **** Dec. 16, 2014**

(54) **FRONT ACCESSIBLE HARD SHELL
SUITCASE**

(71) Applicant: **Terrence Hailwood**, Del Mar, CA (US)

(72) Inventor: **Terrence Hailwood**, Del Mar, CA (US)

(**) Term: **14 Years**

(21) Appl. No.: **29/456,661**

(22) Filed: **Jun. 2, 2013**

(51) **LOC (10) Cl.** **03-01**

(52) **U.S. Cl.**
USPC **D3/279**; D3/289

(58) **Field of Classification Search**
CPC A45C 7/00; A45C 5/14; A45C 13/28;
A45C 5/03
USPC D3/273, 276, 279, 289, 301, 283, 272,
D3/278, 274, 281, 321, 902; 190/18 A,
190/100-127; 206/286-287.1
See application file for complete search history.

(56) **References Cited**

U.S. PATENT DOCUMENTS

5,215,318	A *	6/1993	Capraro	280/1.5
D422,409	S *	4/2000	Klenner et al.	D3/279
D428,698	S *	8/2000	Cheng	D3/279
D432,298	S	10/2000	Markowitz	
D438,005	S *	2/2001	Tiramani et al.	D3/279
D462,169	S *	9/2002	Giovanni	D3/279
D491,359	S	6/2004	Oh	
D547,065	S *	7/2007	Fenton et al.	D3/321
D547,549	S *	7/2007	Johansson et al.	D3/276
7,451,861	B2	11/2008	Bhavnani	
D582,673	S *	12/2008	Mangano	D3/279
7,500,547	B2	3/2009	Bettua et al.	
D630,850	S *	1/2011	Gifford	D3/279

D639,555	S *	6/2011	Moon	D3/279
8,083,040	B2 *	12/2011	Chiang	190/119
8,118,145	B1	2/2012	Hamamy et al.	
D666,414	S *	9/2012	Giovannoni	D3/279
D681,324	S	5/2013	Mohr	
8,453,813	B2 *	6/2013	Lai	190/110
D714,057	S *	9/2014	Hou	D3/279
2011/0186396	A1 *	8/2011	Sheikh	190/111
2012/0012431	A1 *	1/2012	Hamilton	190/18 A
2014/0110204	A1 *	4/2014	Wu	190/18 A

* cited by examiner

Primary Examiner — Jennifer Rivard

Assistant Examiner — April Rivas

(74) *Attorney, Agent, or Firm* — Andrew Alia, Esq.

(57) **CLAIM**

The ornamental design for a front accessible hard shell suitcase, as shown and described.

DESCRIPTION

FIG. 1 is a front view of a front accessible hard shell suitcase in a closed configuration in accordance with the claimed design;

FIG. 2 is a top plan view of FIG. 1;

FIG. 3 is a right rear perspective view of FIG. 1;

FIG. 4 is a left rear perspective view of FIG. 1;

FIG. 5 is a rear elevation view of FIG. 1;

FIG. 6 is a right side elevation view of FIG. 1;

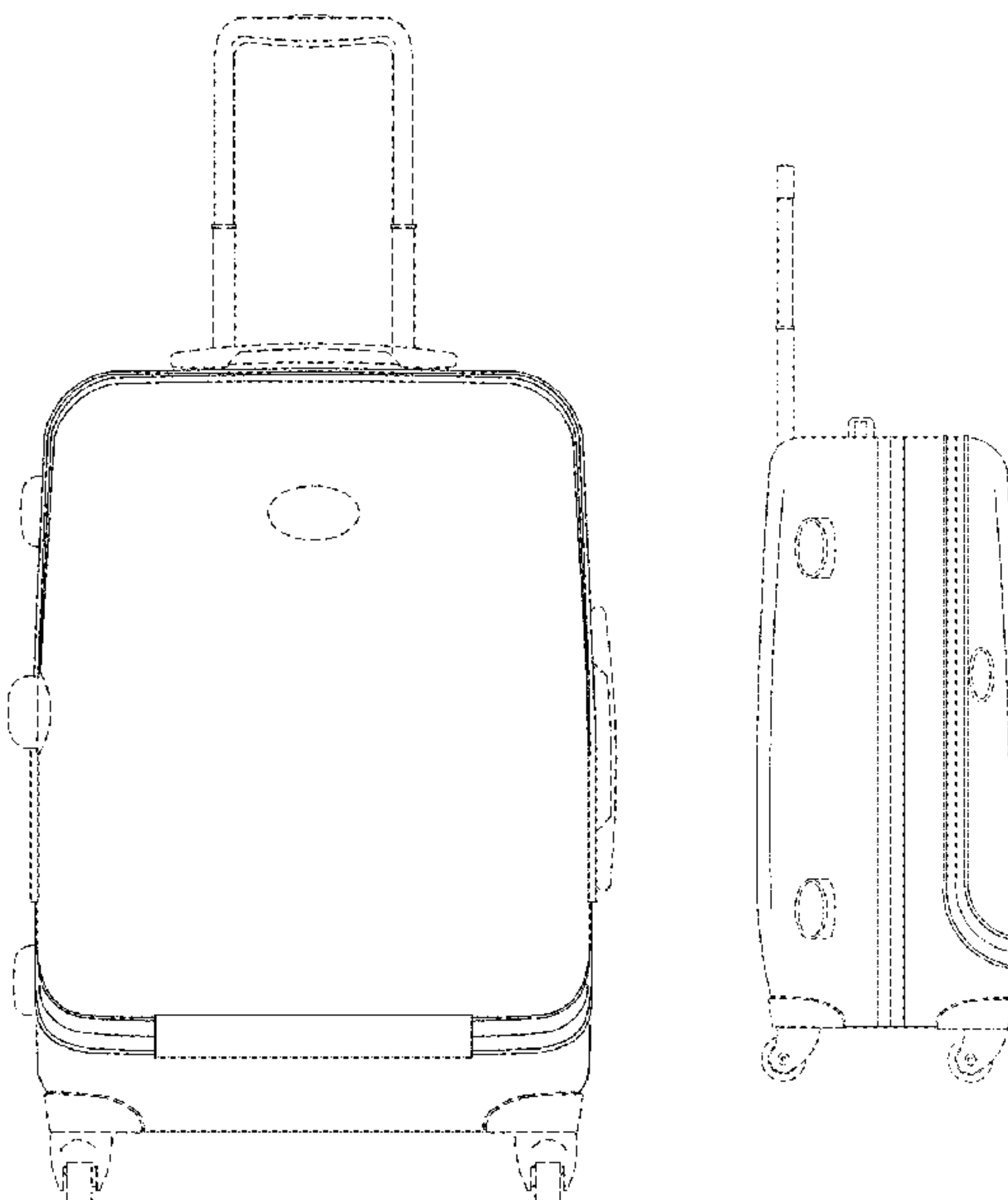
FIG. 7 is a left side elevation view of FIG. 1;

FIG. 8 is a left perspective view of FIG. 1 shown in a horizontal position; and,

FIG. 9 is perspective view of FIG. 8 shown in an open configuration.

The broken lines illustrate portions of the front accessible hard shell suitcase and form no part of the claimed design.

1 Claim, 6 Drawing Sheets



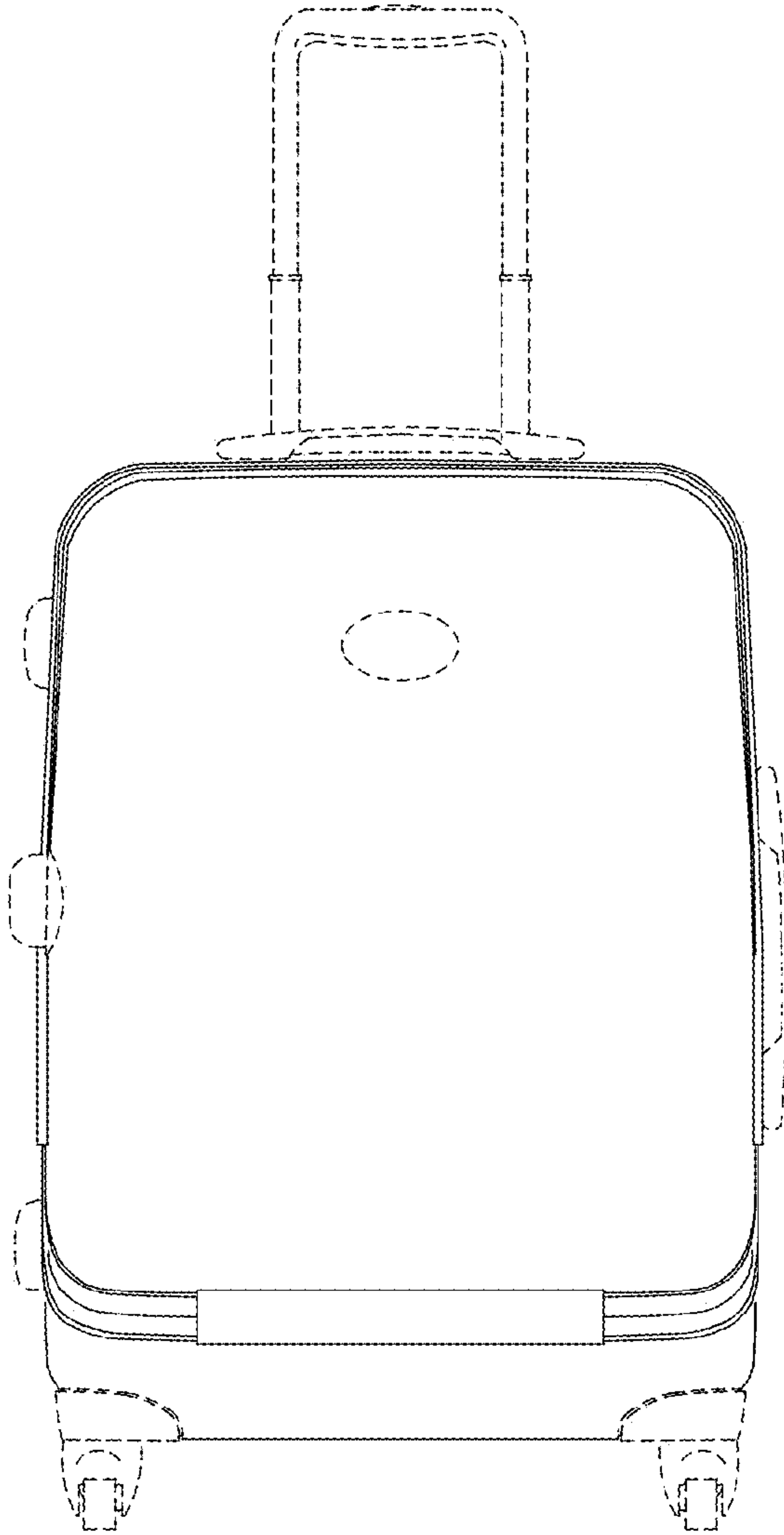


FIG. 1

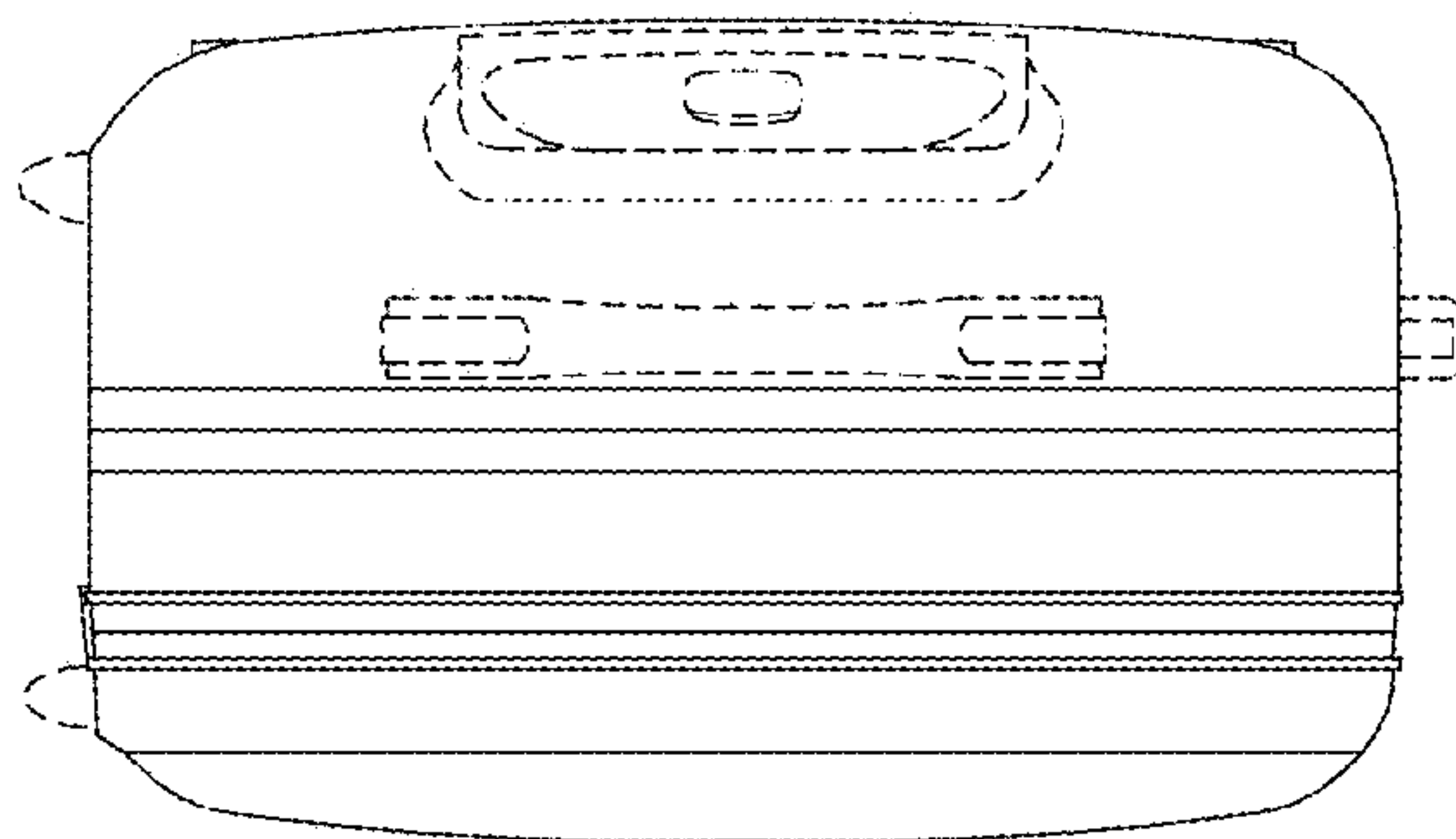


FIG. 2

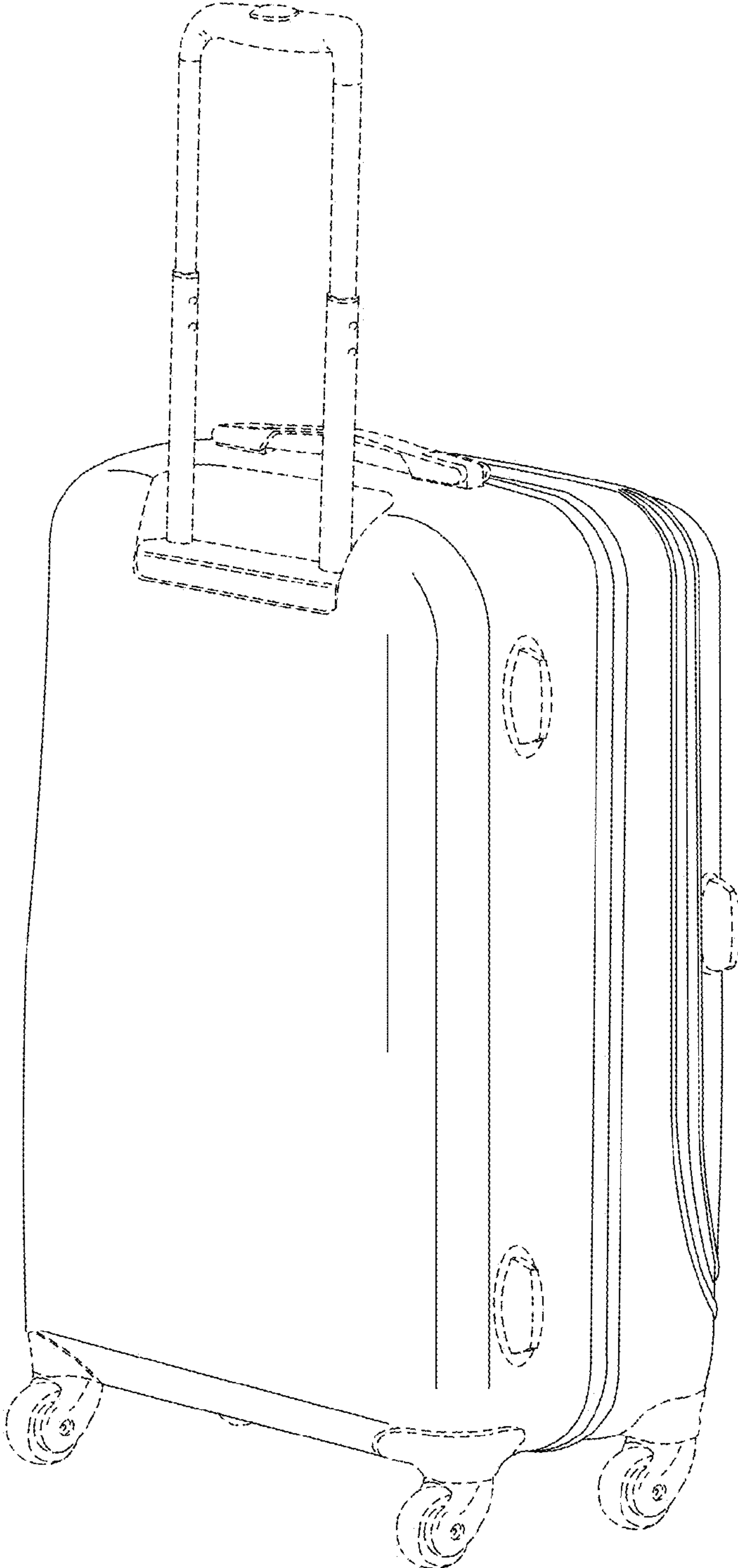


FIG. 3

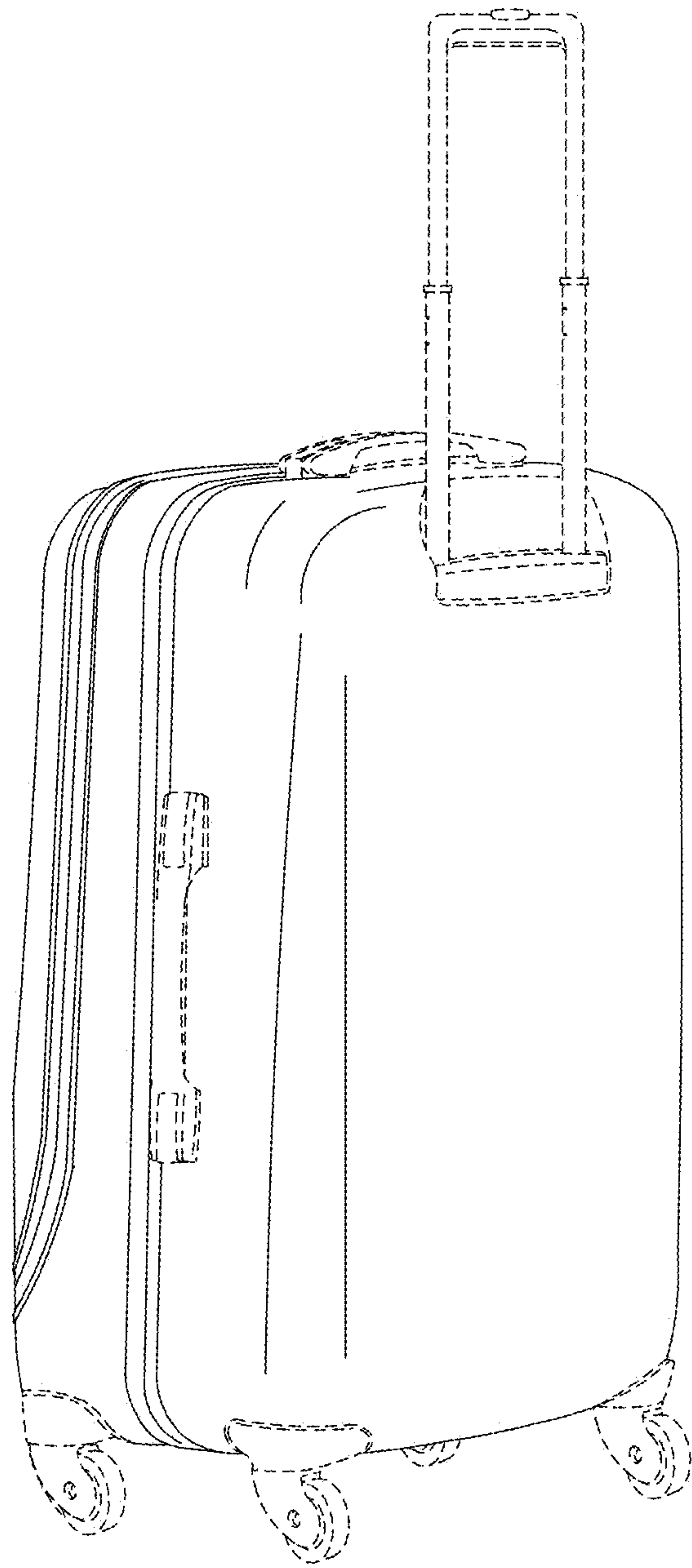


FIG. 4

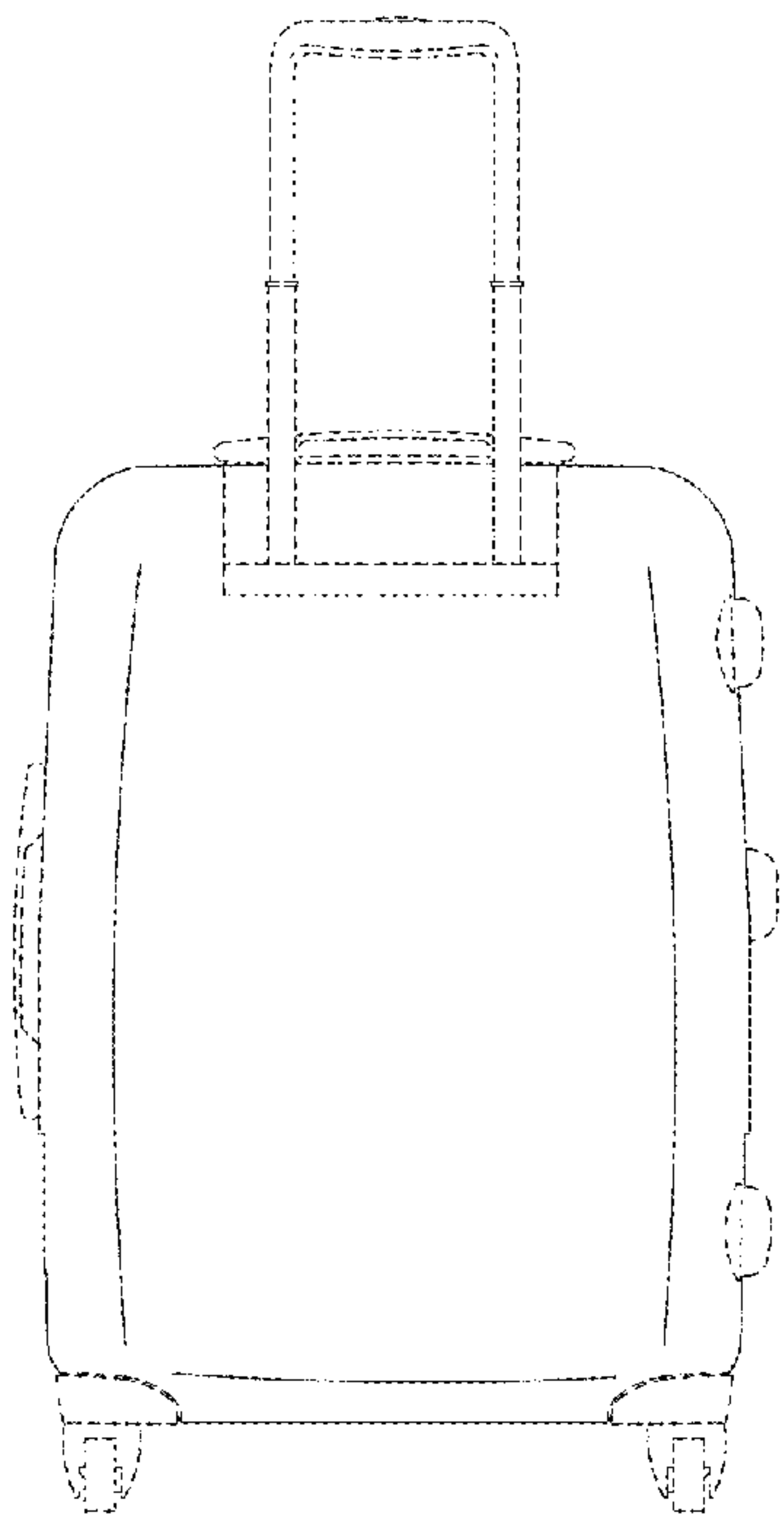


FIG. 5

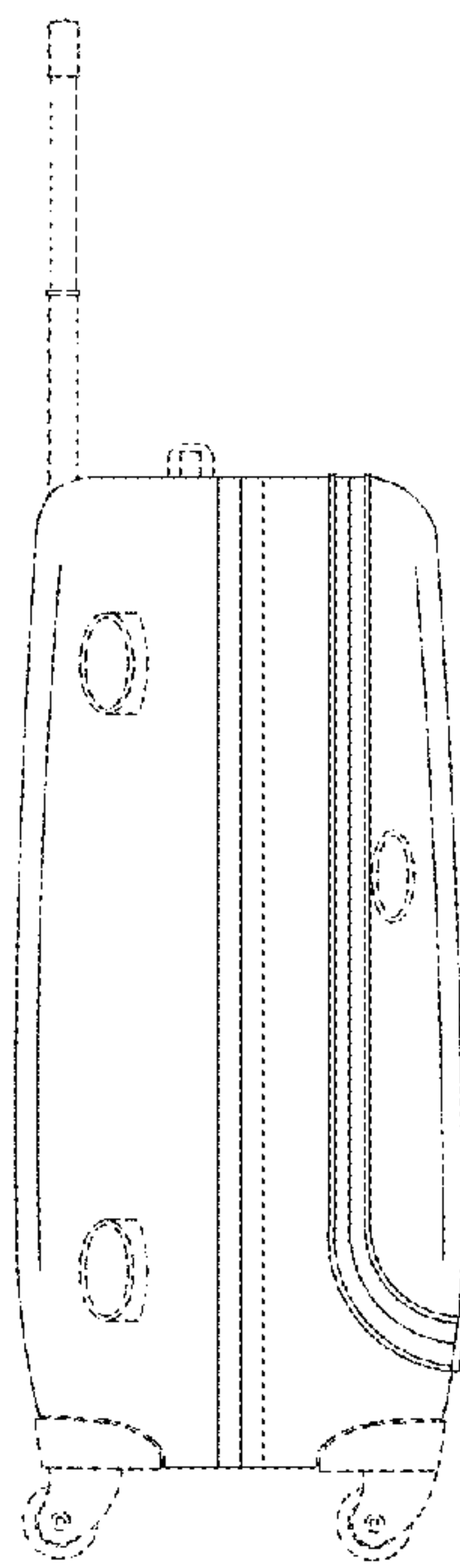


FIG. 6

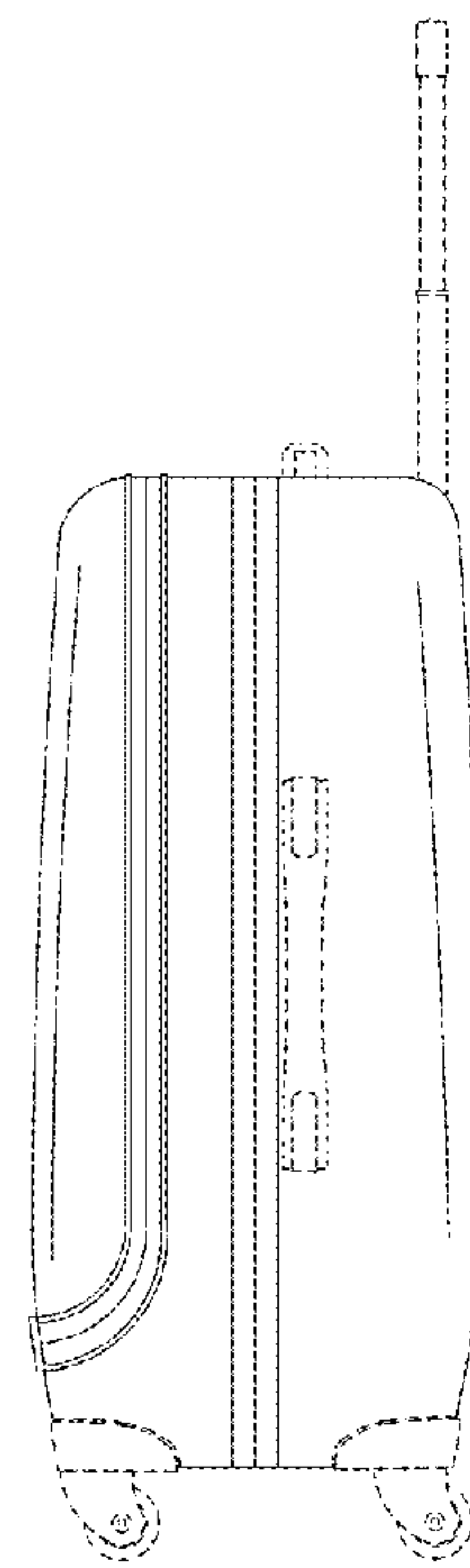


FIG. 7

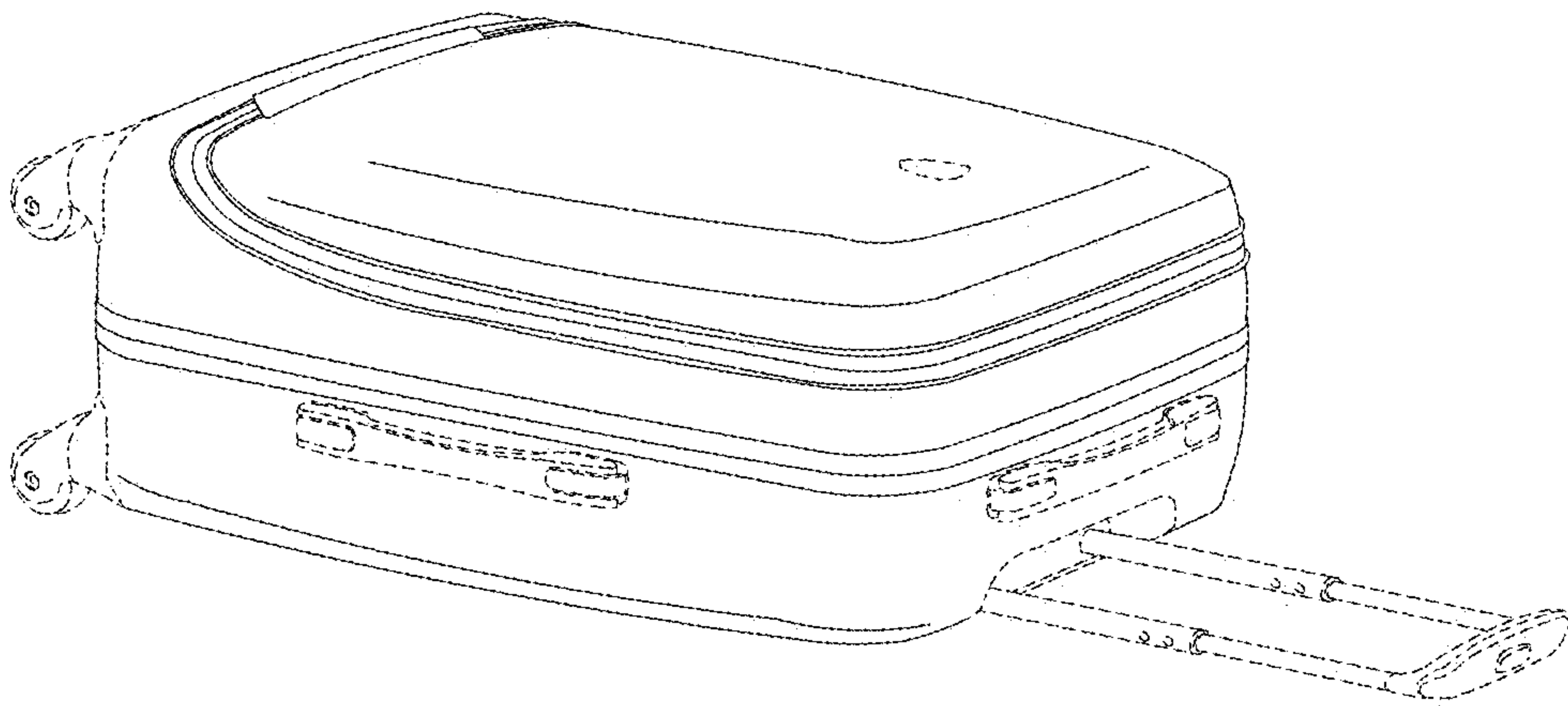


FIG. 8

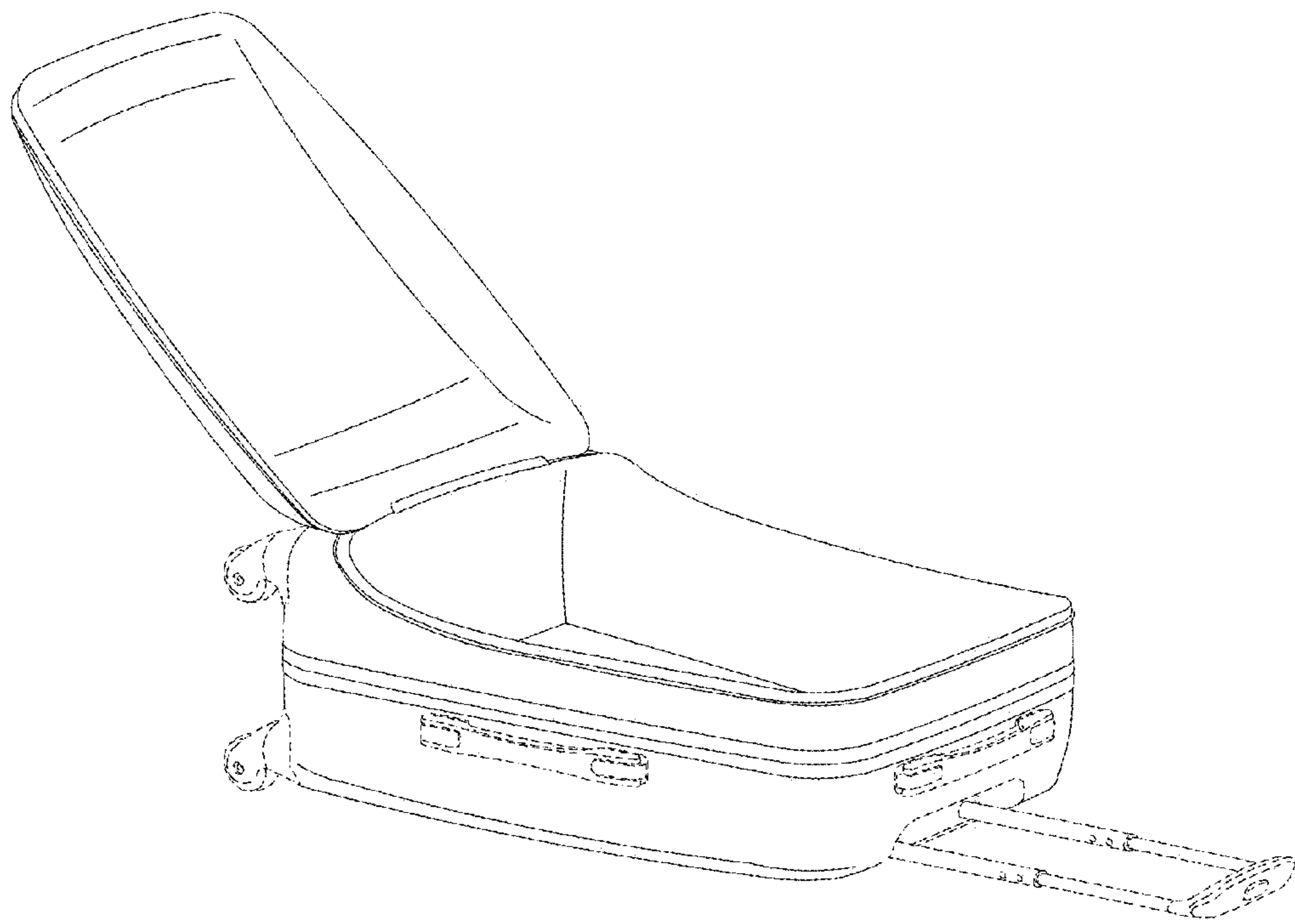


FIG. 9