



US00D719350S

(12) **United States Design Patent**
Daoura

(10) **Patent No.:** **US D719,350 S**

(45) **Date of Patent:** **** Dec. 16, 2014**

(54) **WALLET FOR CARDS, CASH AND MEMORY**

7,150,355 B2 * 12/2006 Coe et al. 206/536
D551,989 S * 10/2007 Engel et al. D9/703
7,334,616 B2 * 2/2008 Kaminski 150/147

(71) Applicant: **Daniel J Daoura**, Renton, WA (US)

(Continued)

(72) Inventor: **Daniel J Daoura**, Renton, WA (US)

Primary Examiner — Holly Baynham

(73) Assignee: **Daniel Daoura**, Renton, WA (US)

(57) **CLAIM**

The ornamental design for a wallet for cards, cash and memory, as shown.

(**) Term: **14 Years**

DESCRIPTION

(21) Appl. No.: **29/447,544**

FIG. 1 is a front view of a wallet for cards, cash and memory showing my new design, the bottom left compartment for electronic memory and opening for handling cash.

(22) Filed: **Mar. 4, 2013**

FIG. 2 is a rear elevation view thereof, the bottom left and right compartment for electronic memory.

(51) **LOC (10) Cl.** **03-01**

FIG. 3 is an enlarged right side view thereof.

(52) **U.S. Cl.**

FIG. 4 is an enlarged left side view thereof.

USPC **D3/247**

FIG. 5 is an enlarged bottom view thereof.

(58) **Field of Classification Search**

CPC B65D 65/00; B65D 83/12; B65D 6/04;
A45C 11/18; G06K 7/00

FIG. 6 is an enlarged top view thereof, showing an opening compartment for storage.

USPC D3/247, 249–253; 150/130, 132,
150/136–137, 147; 206/232, 534, 538, 37,
206/39

FIG. 7 is the right rear perspective view thereof, showing open compartments for storage such as cash, cards and electronic memory.

See application file for complete search history.

FIG. 8 is the left rear perspective view thereof, showing open compartments for storage such as cash, cards and electronic memory.

(56) **References Cited**

FIG. 9 is the right front perspective view thereof, showing open compartments for storage such as cash, cards and electronic memory.

U.S. PATENT DOCUMENTS

1,359,319 A * 11/1920 Brenan 150/136
2,815,126 A * 12/1957 Deckers 206/441
4,126,168 A * 11/1978 Ganz et al. 150/136
D271,887 S * 12/1983 Williams D19/26
4,716,948 A * 1/1988 Brissette 150/132
4,887,739 A * 12/1989 Parker 221/232
D312,351 S * 11/1990 Bishop D3/251
5,423,424 A * 6/1995 Young, III 206/425
5,618,061 A * 4/1997 Ritterling 281/15.1
5,984,092 A * 11/1999 Heard-Willmon 206/233
6,029,724 A * 2/2000 Rudnick 150/131
6,082,422 A * 7/2000 Kaminski 150/147
D482,162 S * 11/2003 Bostroem D28/77
6,886,283 B2 * 5/2005 Arraut 40/661
7,004,324 B1 * 2/2006 Delorio 206/570
D516,302 S * 3/2006 Margiotta D3/203.3
7,111,733 B1 * 9/2006 Foote 206/528

FIG. 10 is the left front perspective view thereof, showing open compartments for storage such as cash, cards and electronic memory.

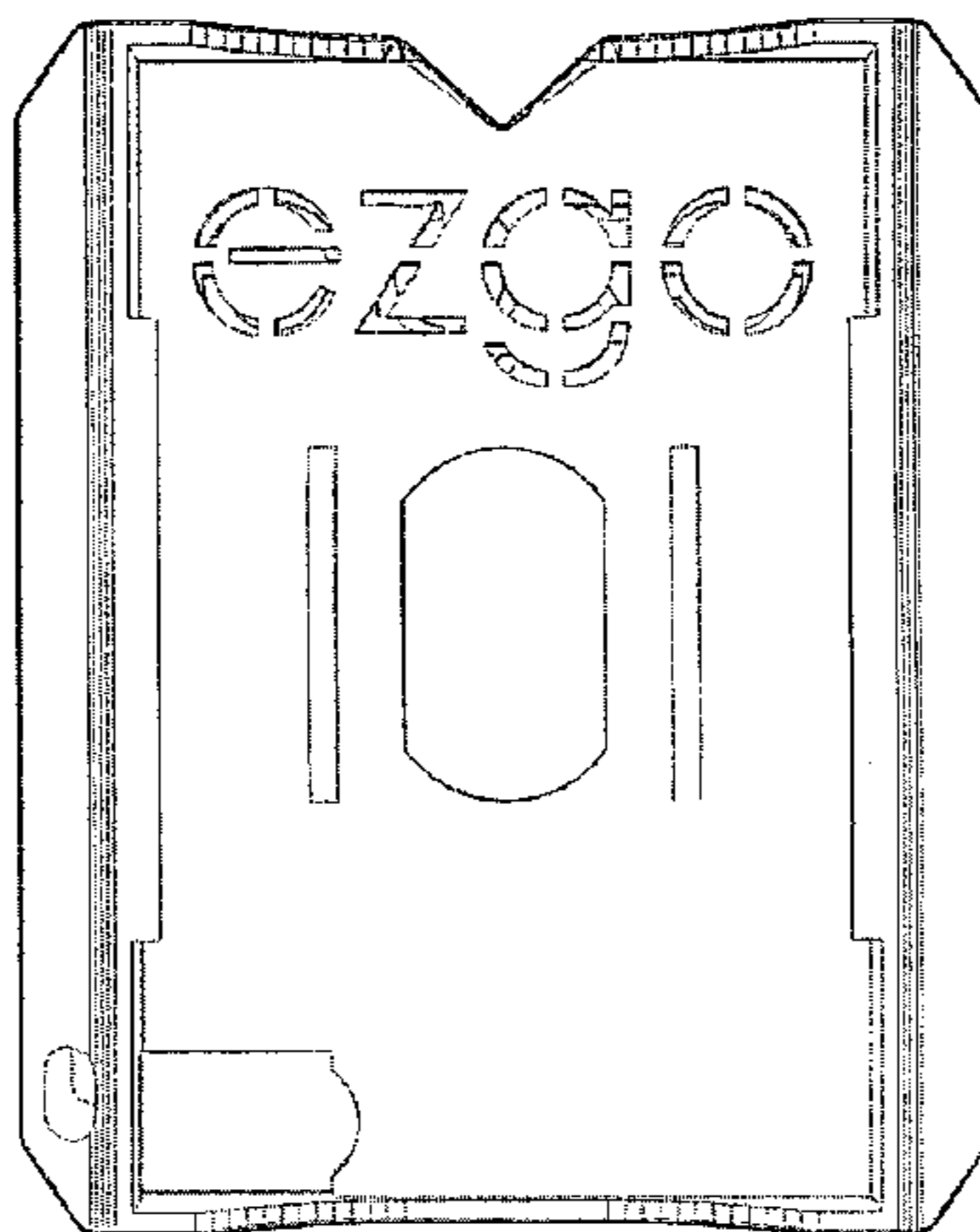
FIG. 11 is the front left perspective upright view thereof, showing open compartments for storage such as cards, and electronic memory.

FIG. 12 is the front right perspective upright view thereof, showing open compartments for storage such as cards, and electronic memory.

FIG. 13 is the rear left perspective upright view thereof, showing open compartments for storage such as cards, cash and electronic memory; and,

FIG. 14 is the rear right perspective upright view thereof, showing open compartments for storage such as cards, cash and electronic memory.

1 Claim, 6 Drawing Sheets



US D719,350 S

Page 2

(56)

References Cited

U.S. PATENT DOCUMENTS

7,353,939 B2 *	4/2008	Coe et al.	206/232	
7,537,110 B2 *	5/2009	Kutsch et al.	206/39	
7,921,890 B2 *	4/2011	Ho	150/147	
D668,864 S *	10/2012	Sitek	D3/251	
2008/0105718 A1 *	5/2008	Costello et al.	224/223	

* cited by examiner

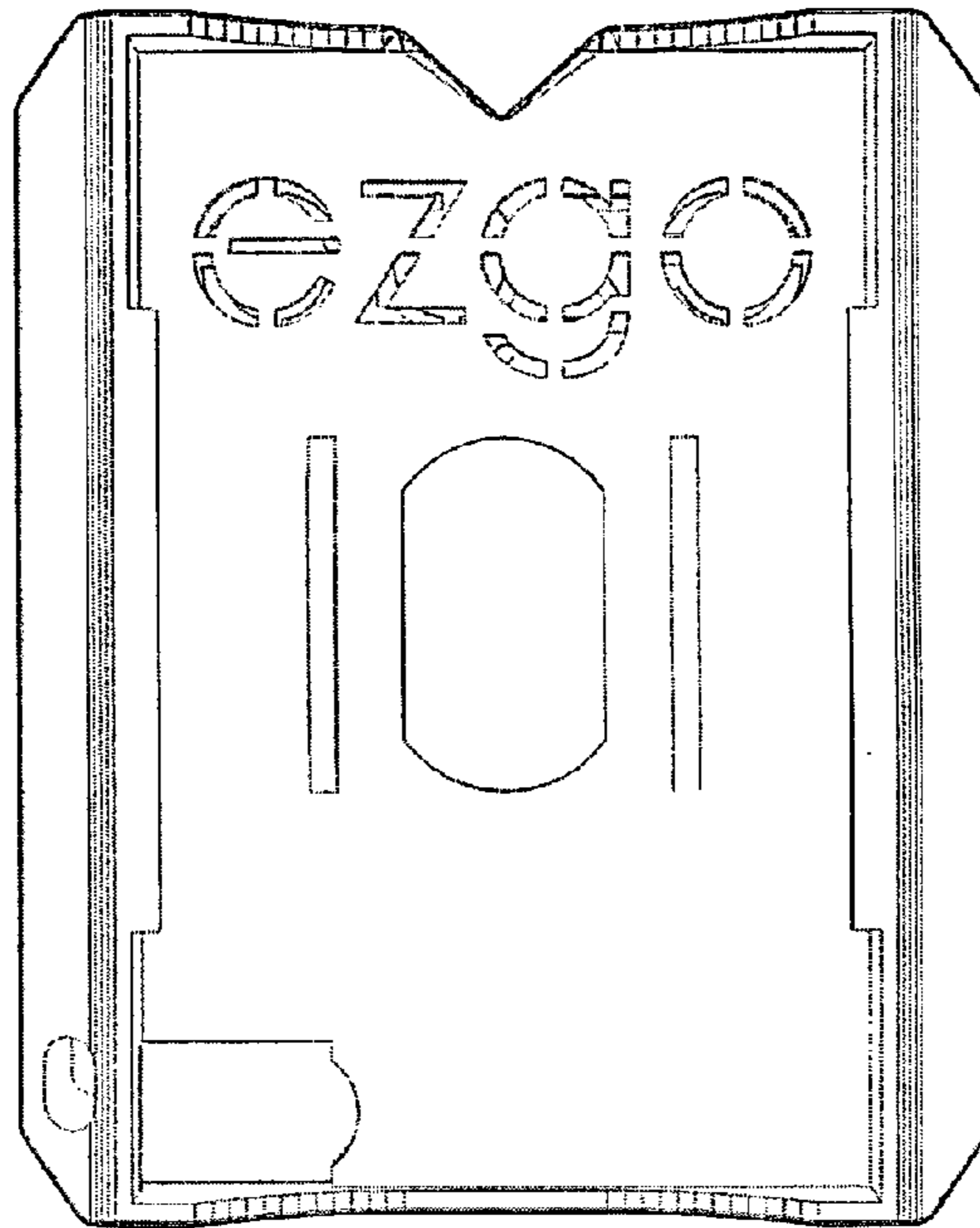


FIG. 1

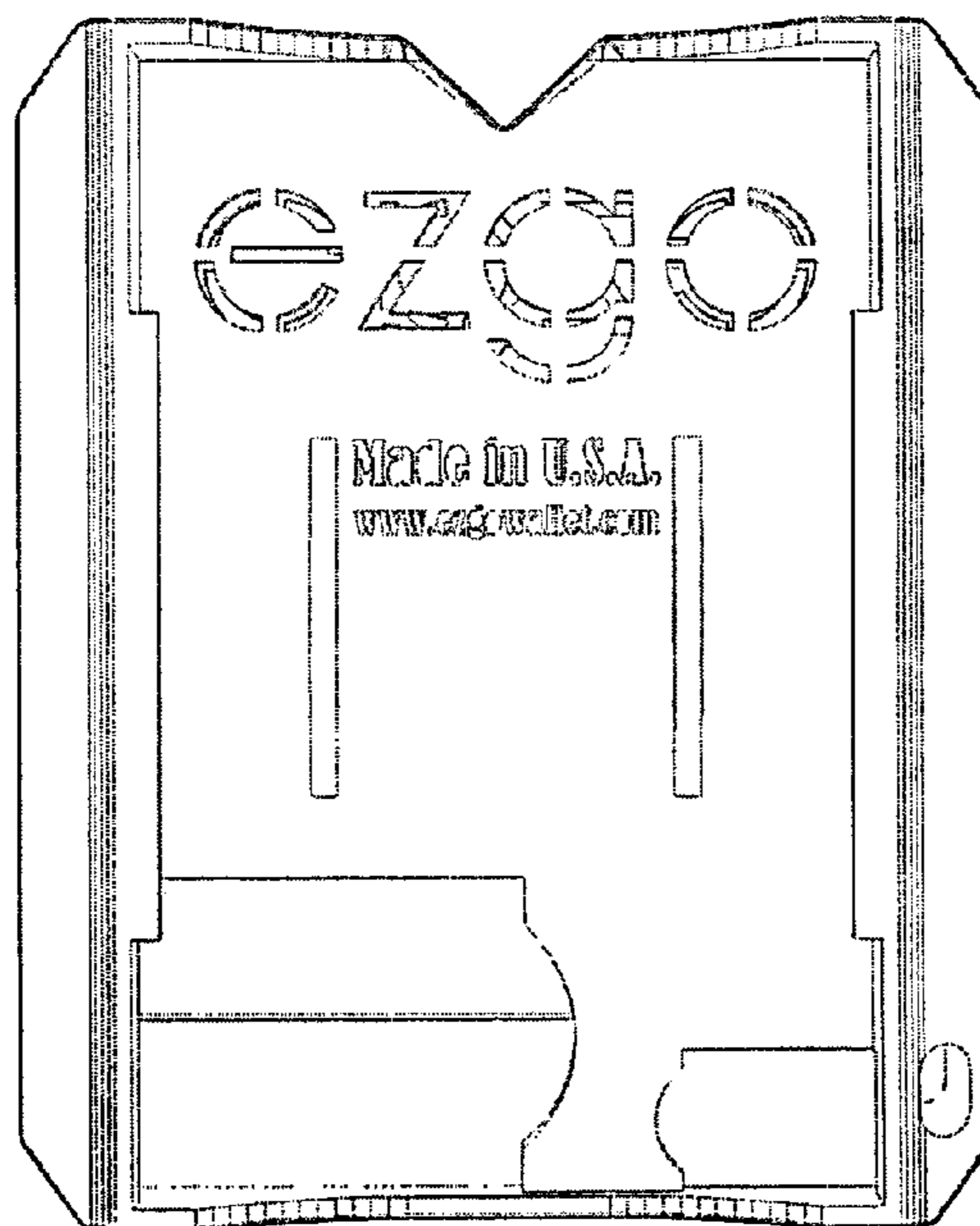


FIG. 2

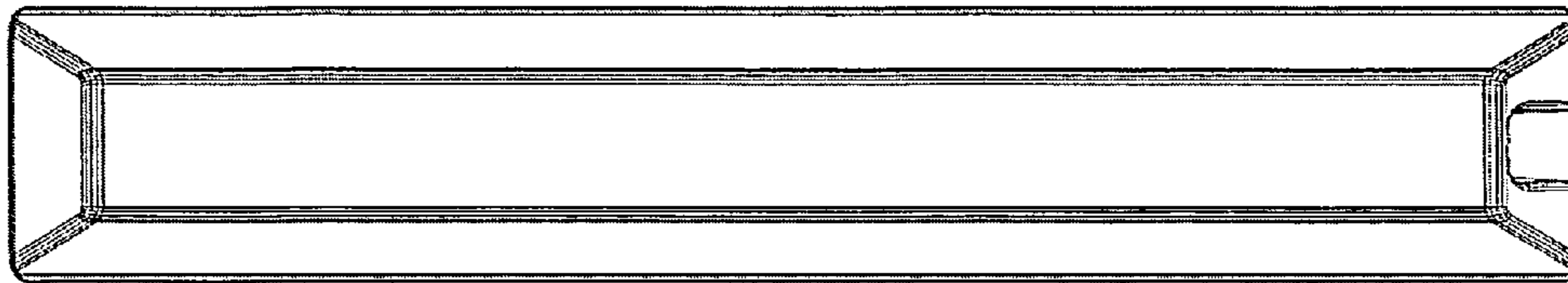


FIG. 3

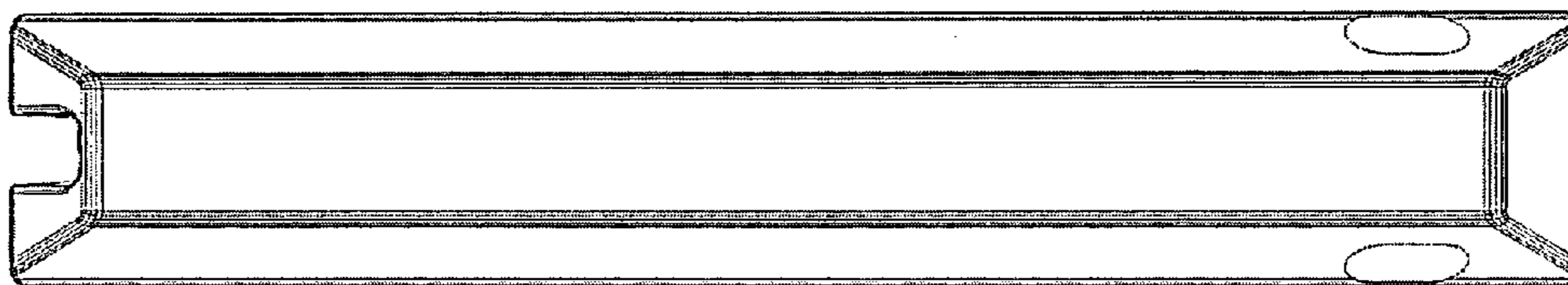


FIG. 4

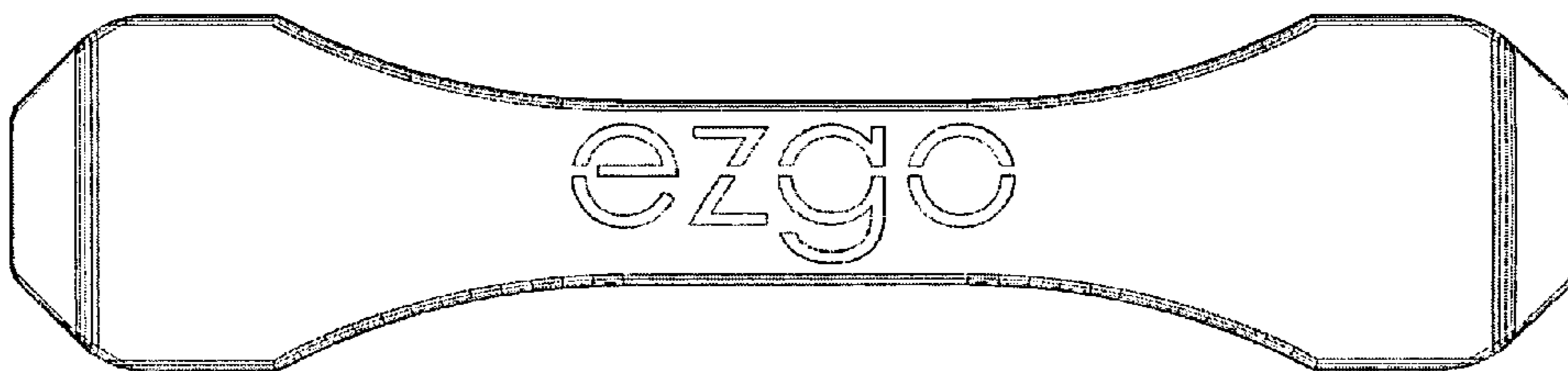


FIG. 5

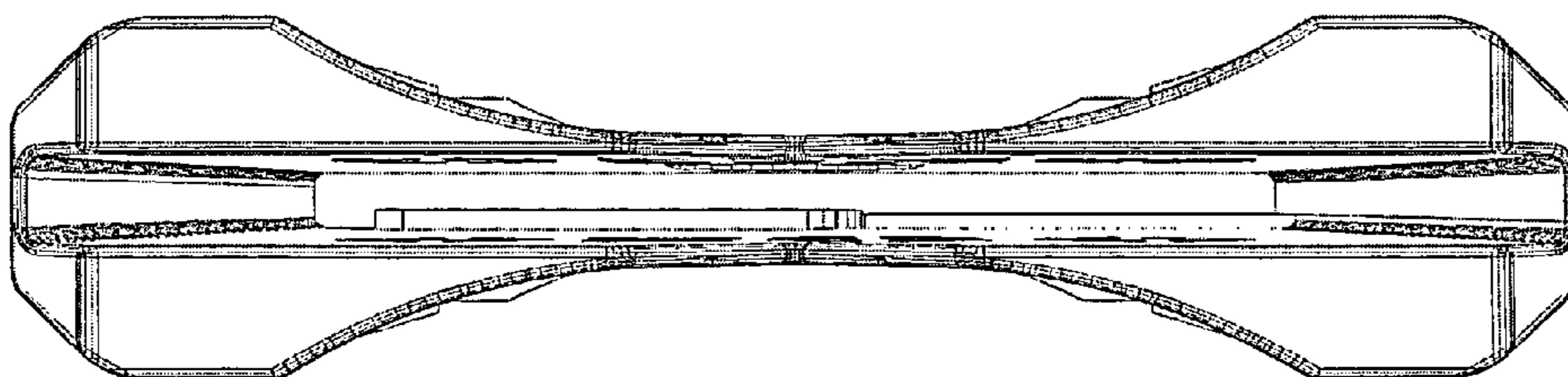


FIG. 6

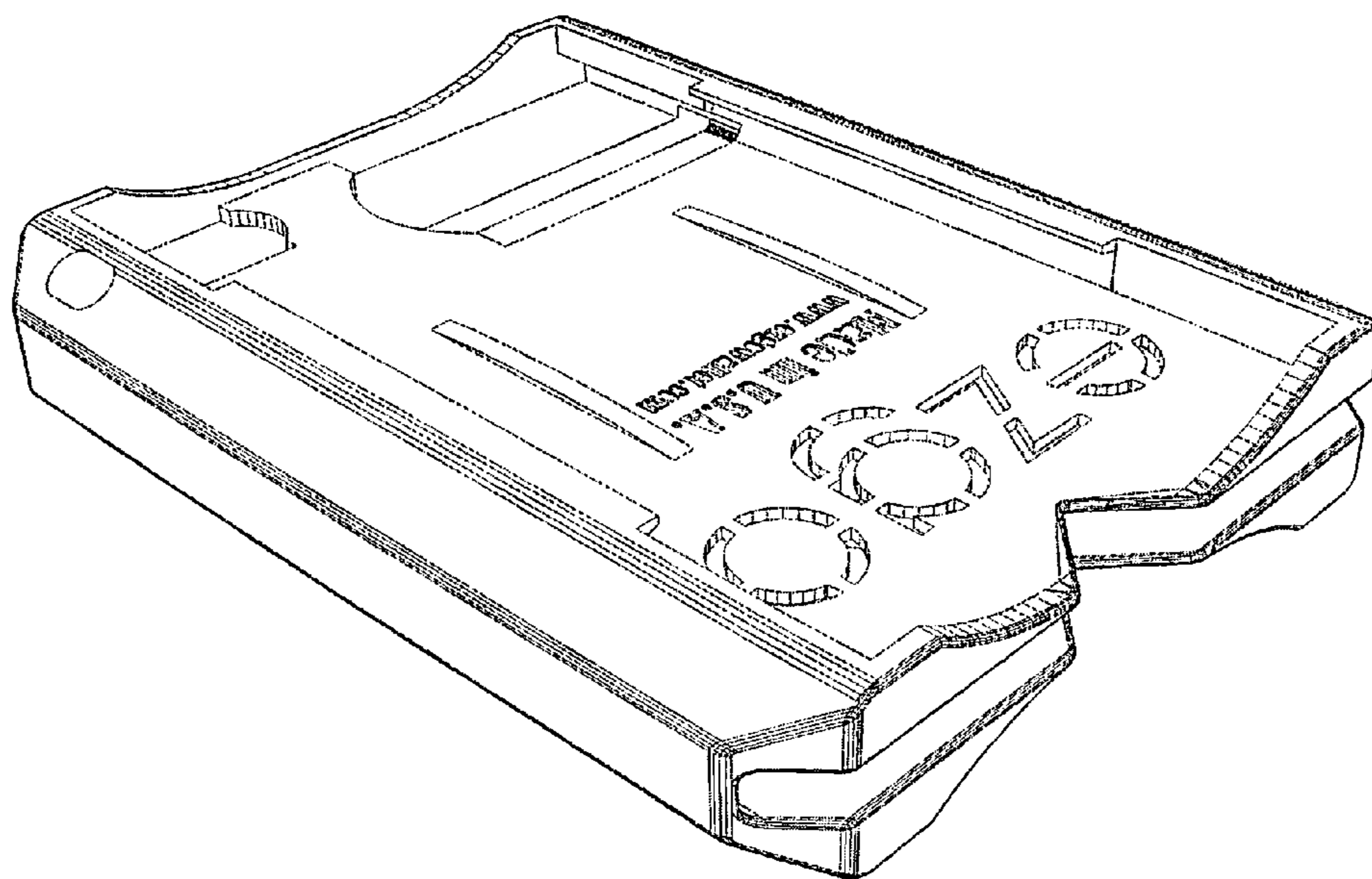


FIG. 7

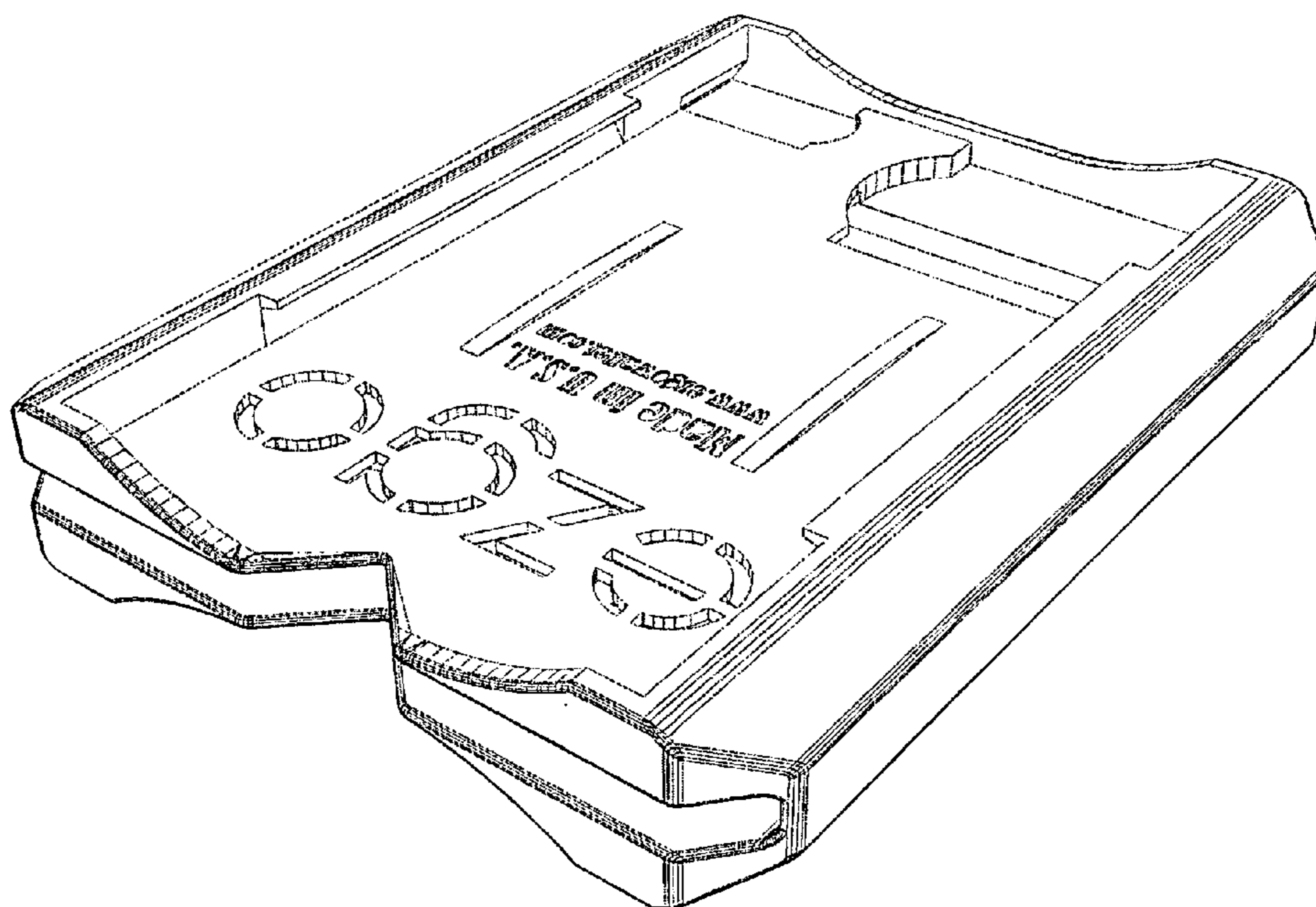


FIG. 8

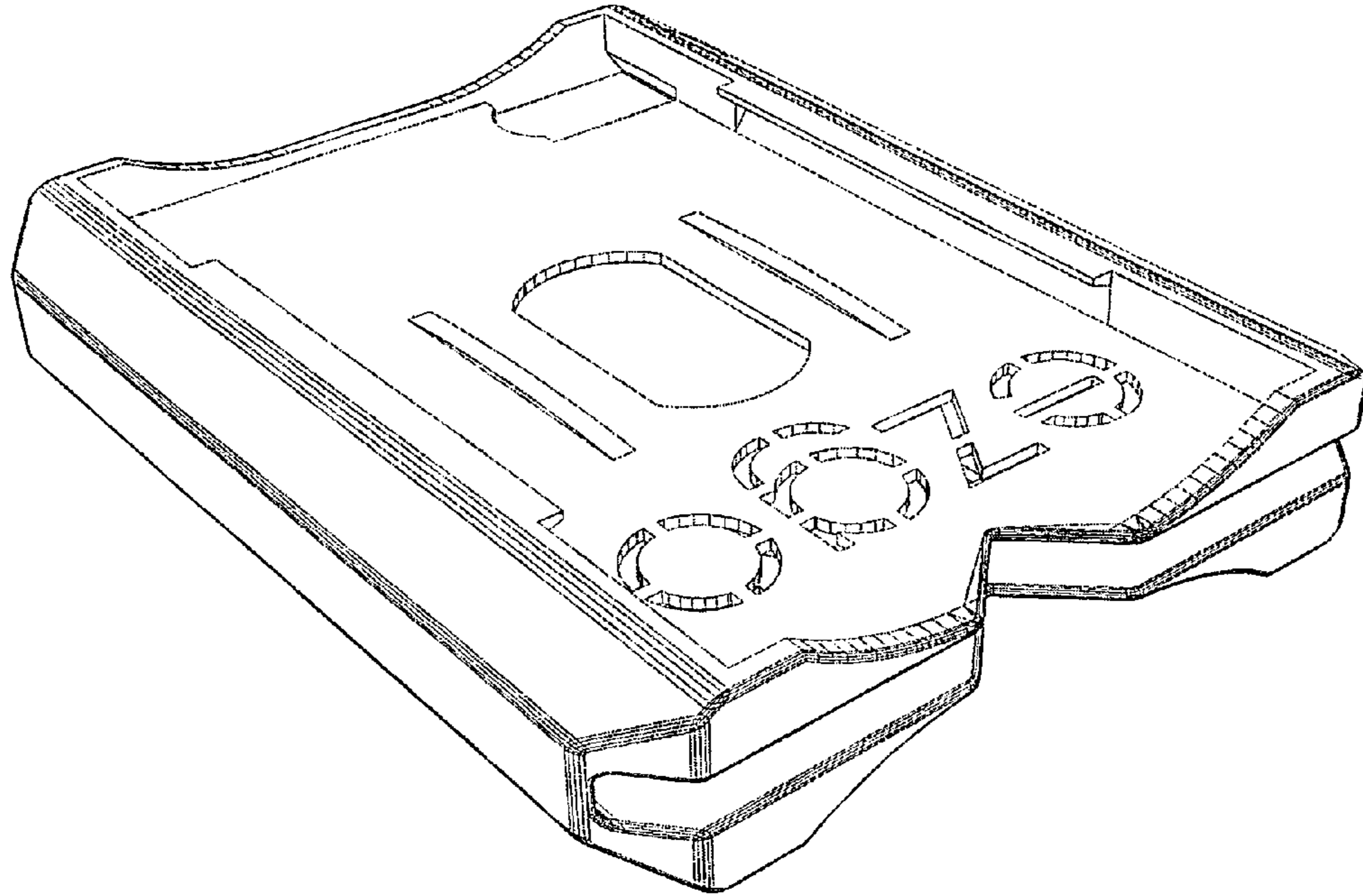


FIG. 9

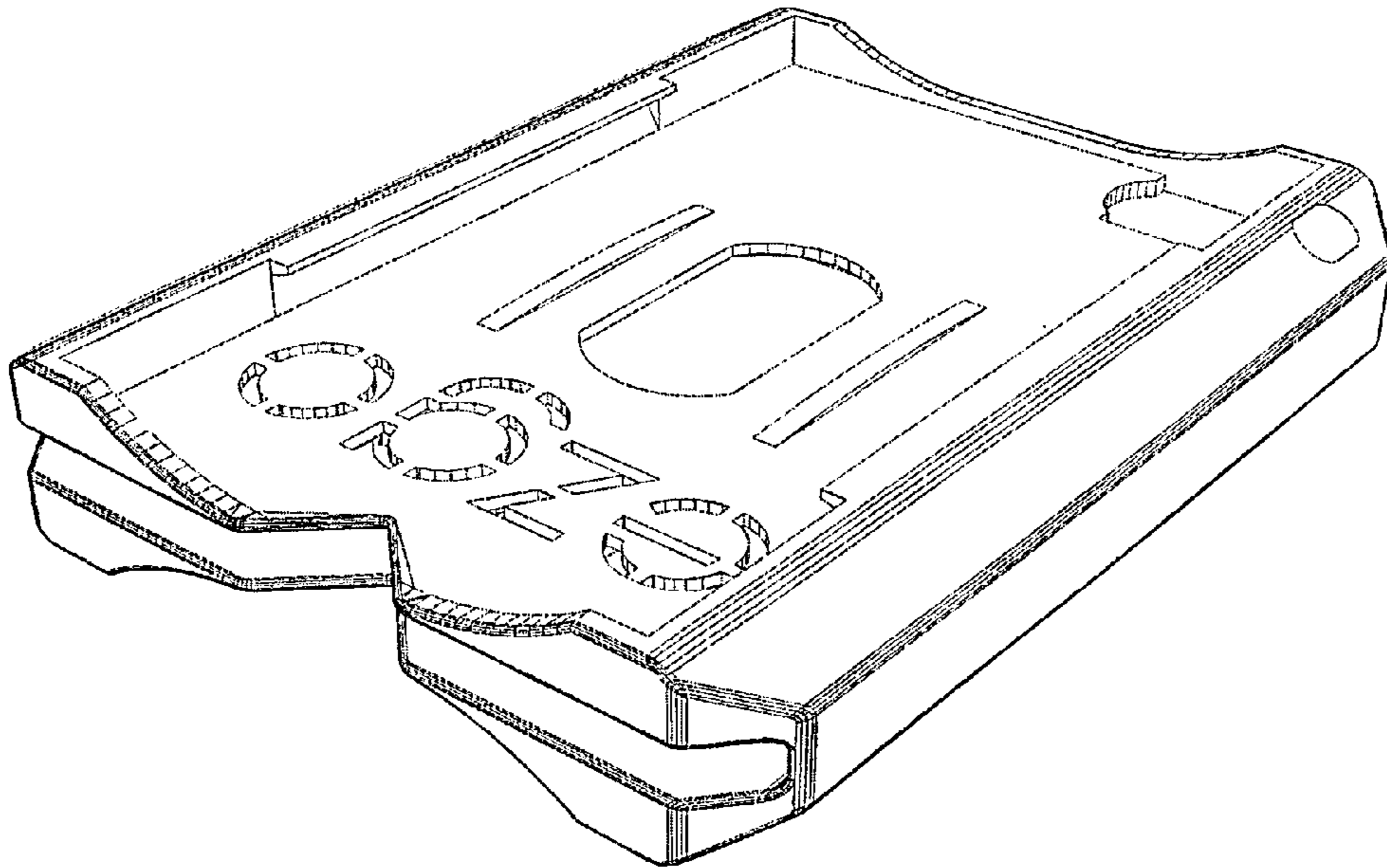


FIG. 10

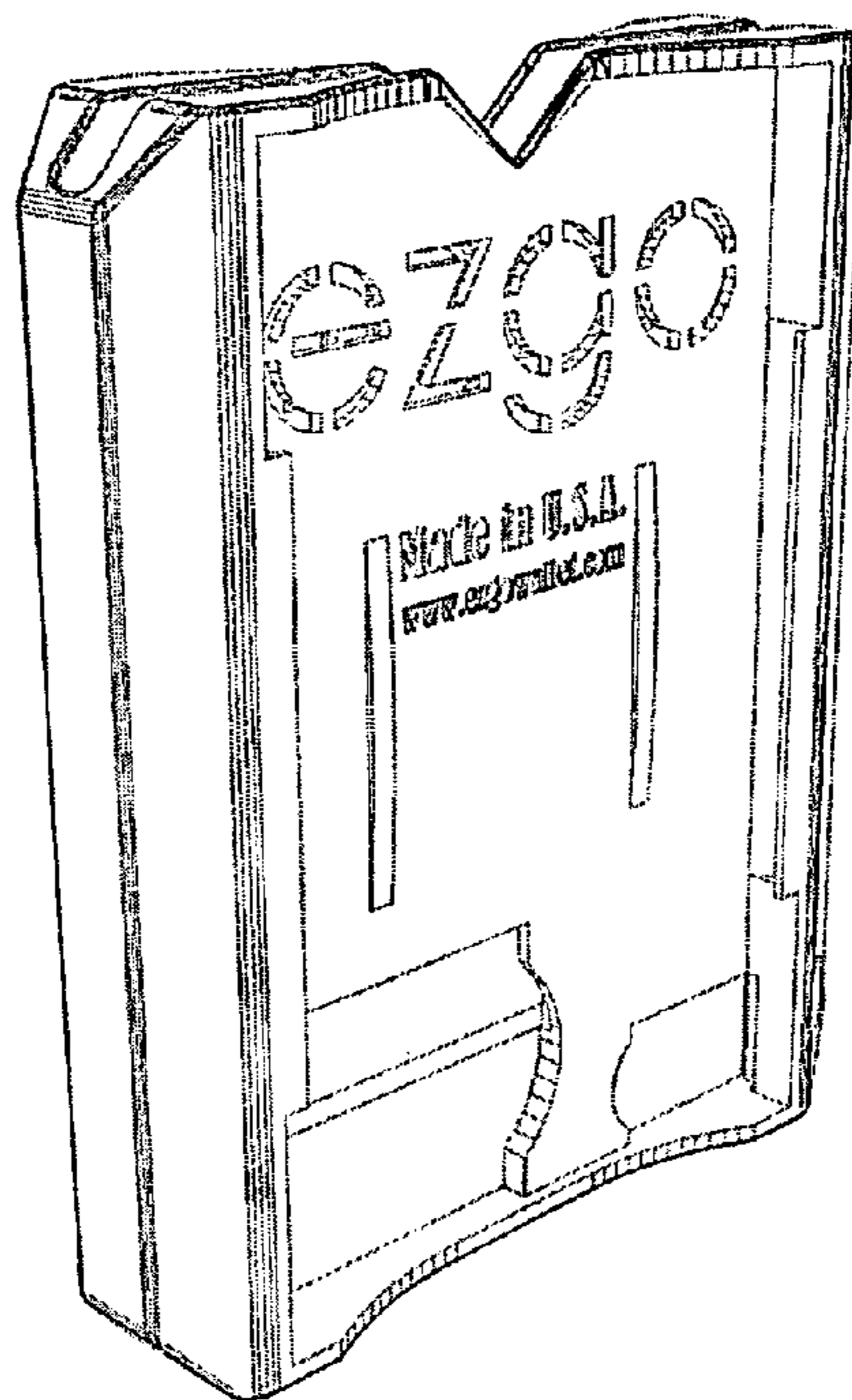


FIG. 11

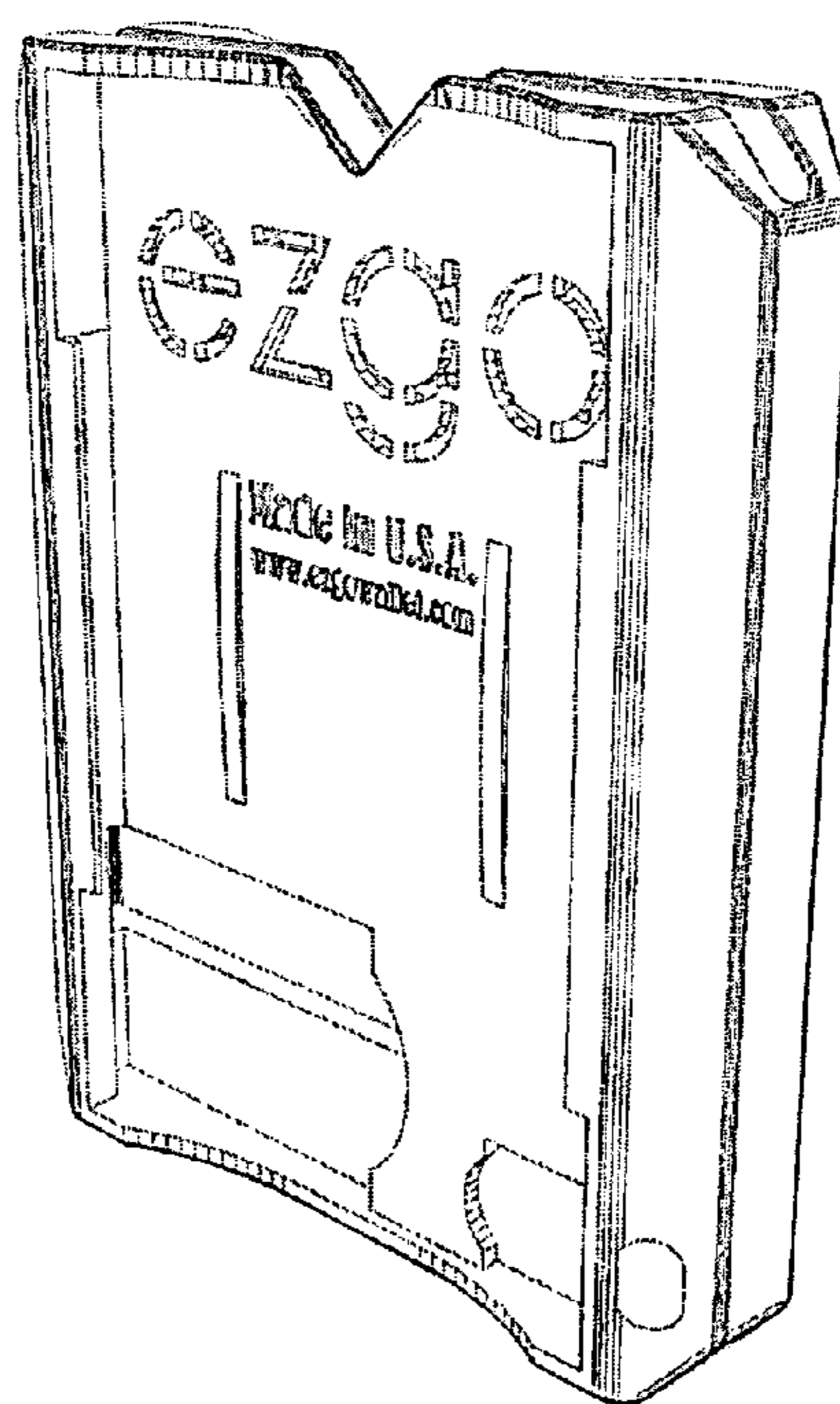


FIG. 12

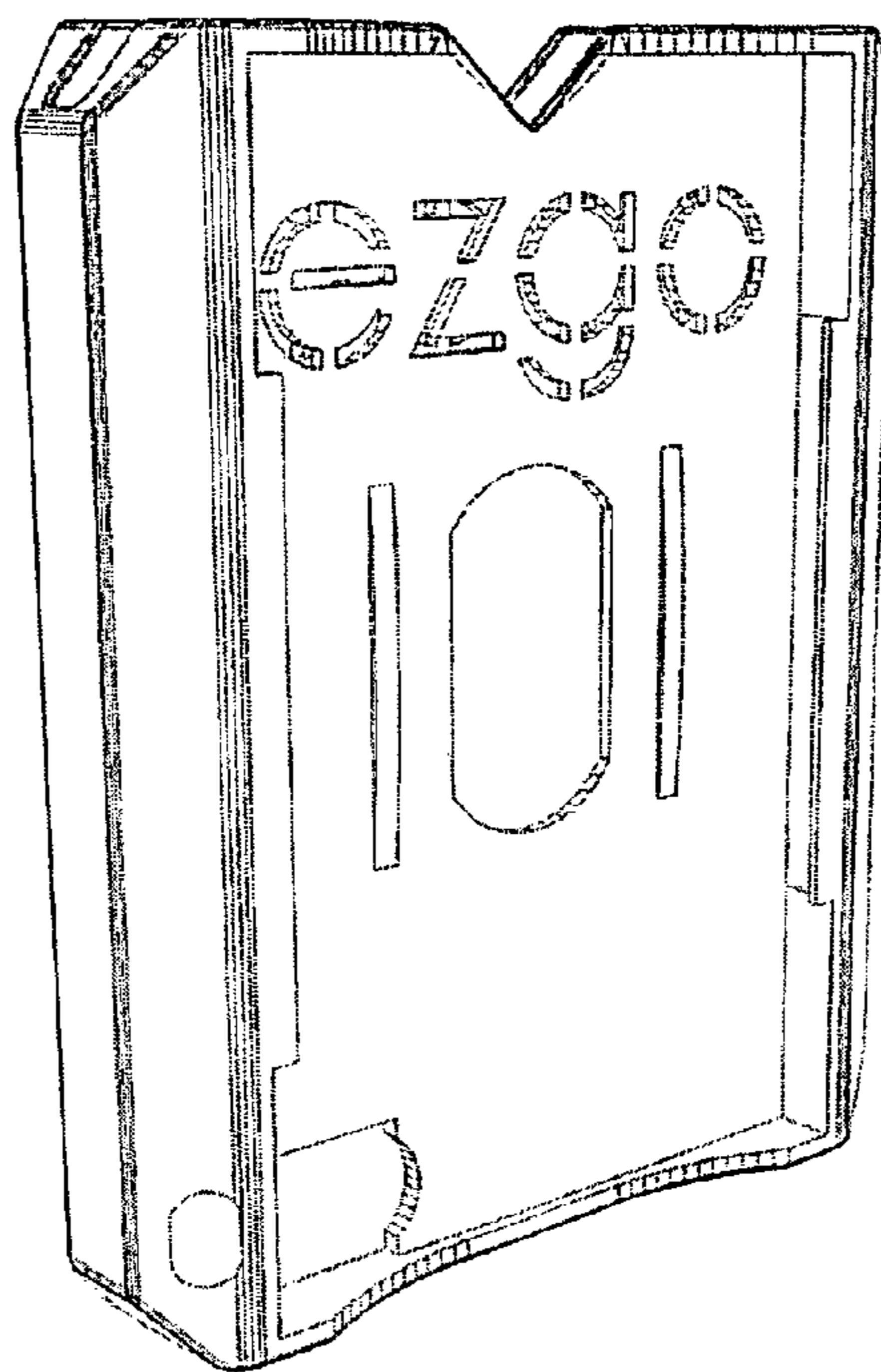


FIG. 13

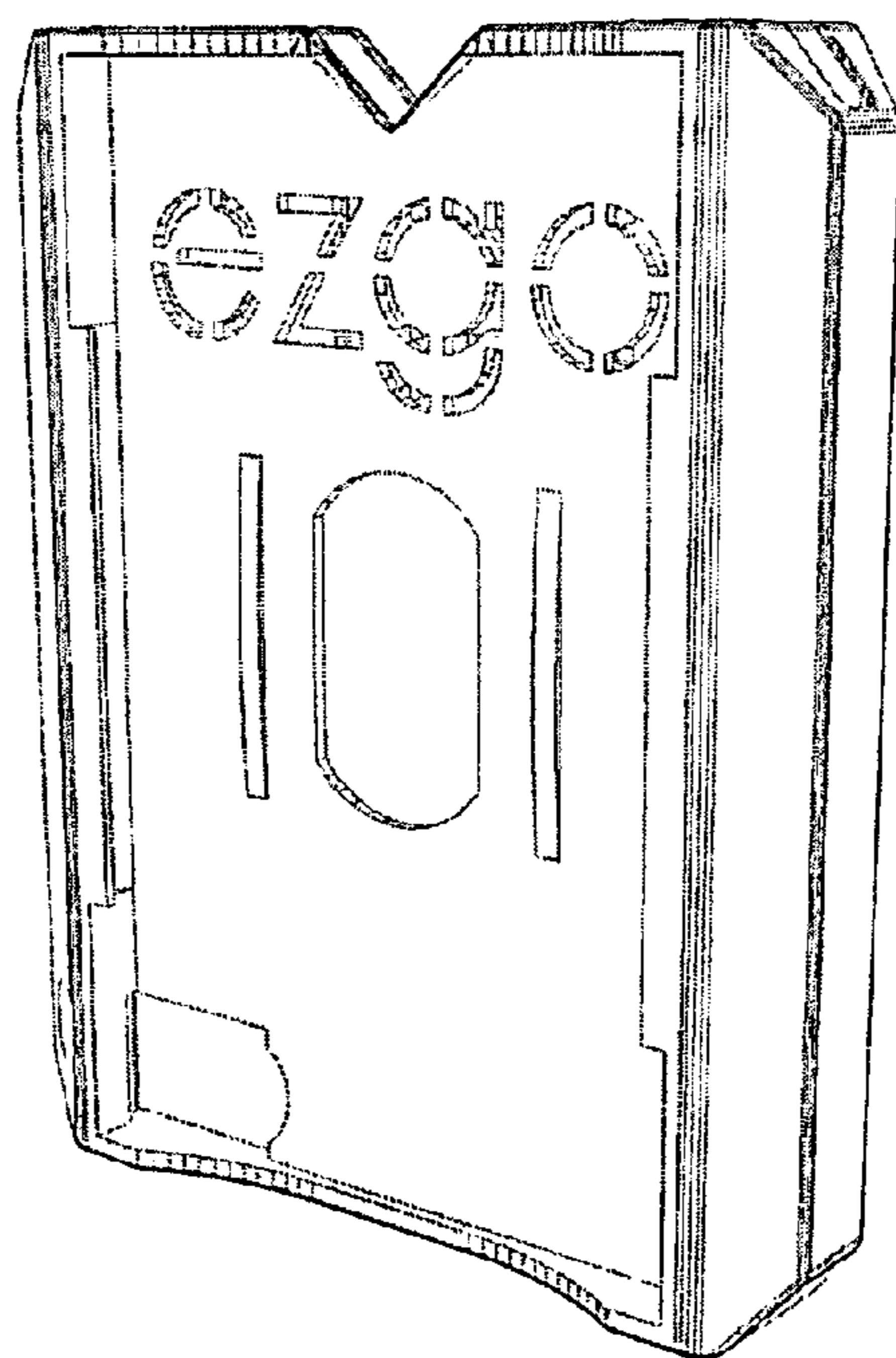


FIG. 14