



US00D719349S

(12) **United States Design Patent**
Fusi

(10) **Patent No.:** **US D719,349 S**
(45) **Date of Patent:** **** Dec. 16, 2014**

(54) **HANDBAG**

(71) Applicant: **Furla S.p.A.**, Lazzaro di Savena (IT)
(72) Inventor: **Fabio Fusi**, Tavarnelle val di Pesa (IT)
(73) Assignee: **Furla S.p.A.**, Lazzaro di Savena (IT)
(**) Term: **14 Years**

(21) Appl. No.: **29/464,024**

(22) Filed: **Aug. 12, 2013**

(30) **Foreign Application Priority Data**

Feb. 20, 2013 (EM) 002187906-0001

(51) **LOC (10) Cl.** **03-01**

(52) **U.S. Cl.**
USPC **D3/245**

(58) **Field of Classification Search**
CPC A45C 3/06; A45C 1/024
USPC D3/232-233, 240-243, 245-246;
150/100, 103-110, 113-114, 117-119

See application file for complete search history.

(56) **References Cited**

U.S. PATENT DOCUMENTS

D164,621 S *	9/1951	Bienen	D3/233
D632,480 S *	2/2011	LaCorte	D3/232
D679,494 S *	4/2013	Dolce et al.	D3/243
D679,496 S *	4/2013	Dolce et al.	D3/243
D685,184 S *	7/2013	Gerbi	D3/245

* cited by examiner

Primary Examiner — Holly Baynham

(74) *Attorney, Agent, or Firm* — Pearne & Gordon LLP

(57) **CLAIM**

The ornamental design for a handbag, as shown and described.

DESCRIPTION

FIG. 1 is a front-left perspective view of a handbag, showing my new design;
FIG. 2 is a front elevational view thereof;
FIG. 3 is a left side elevational view thereof;
FIG. 4 is right side elevational view thereof;
FIG. 5 is a top plan view thereof;
FIG. 6 is a bottom plan view thereof; and,
FIG. 7 is a back elevational view thereof.

1 Claim, 7 Drawing Sheets



FIG. 1



FIG. 2



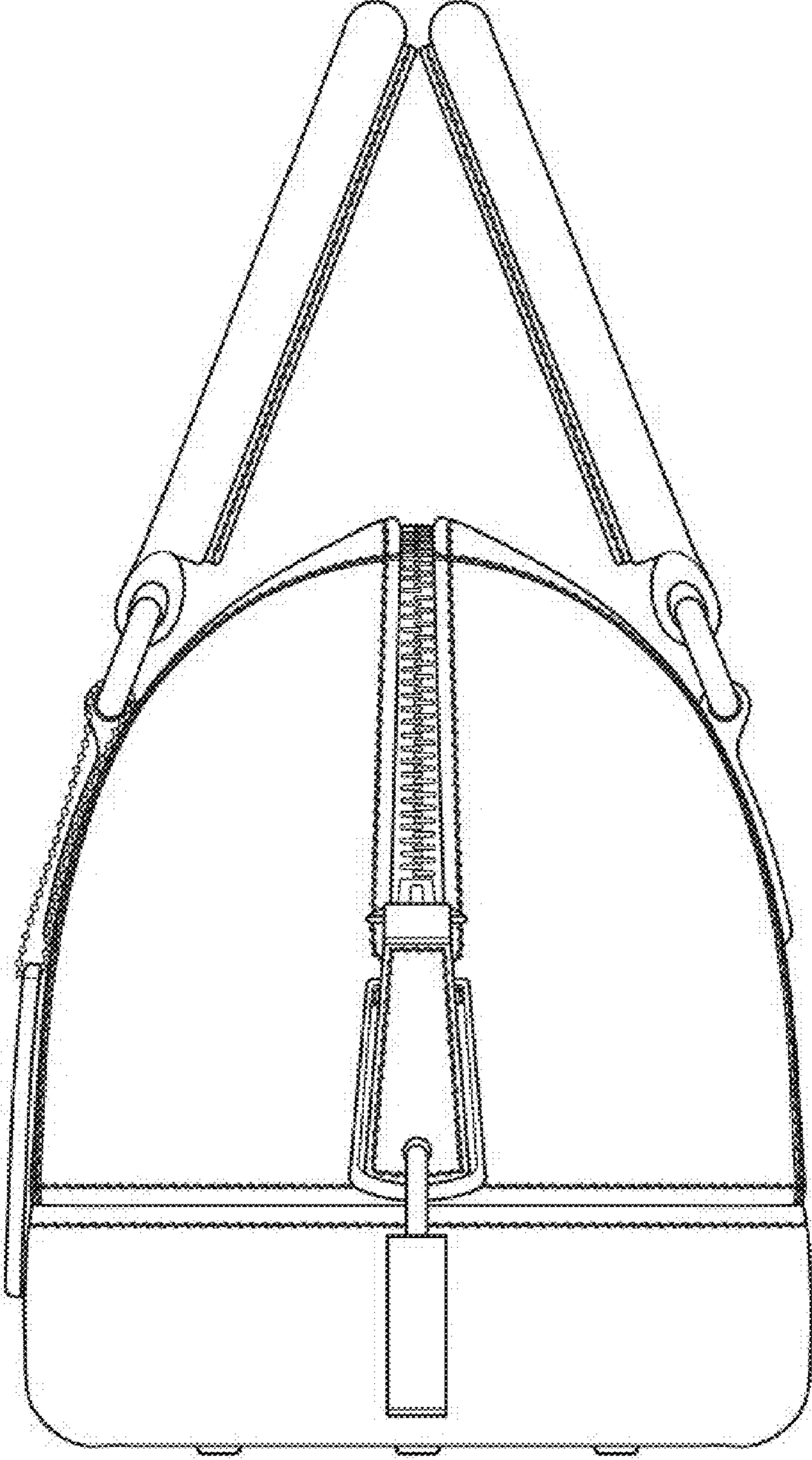


FIG. 3

FIG. 4

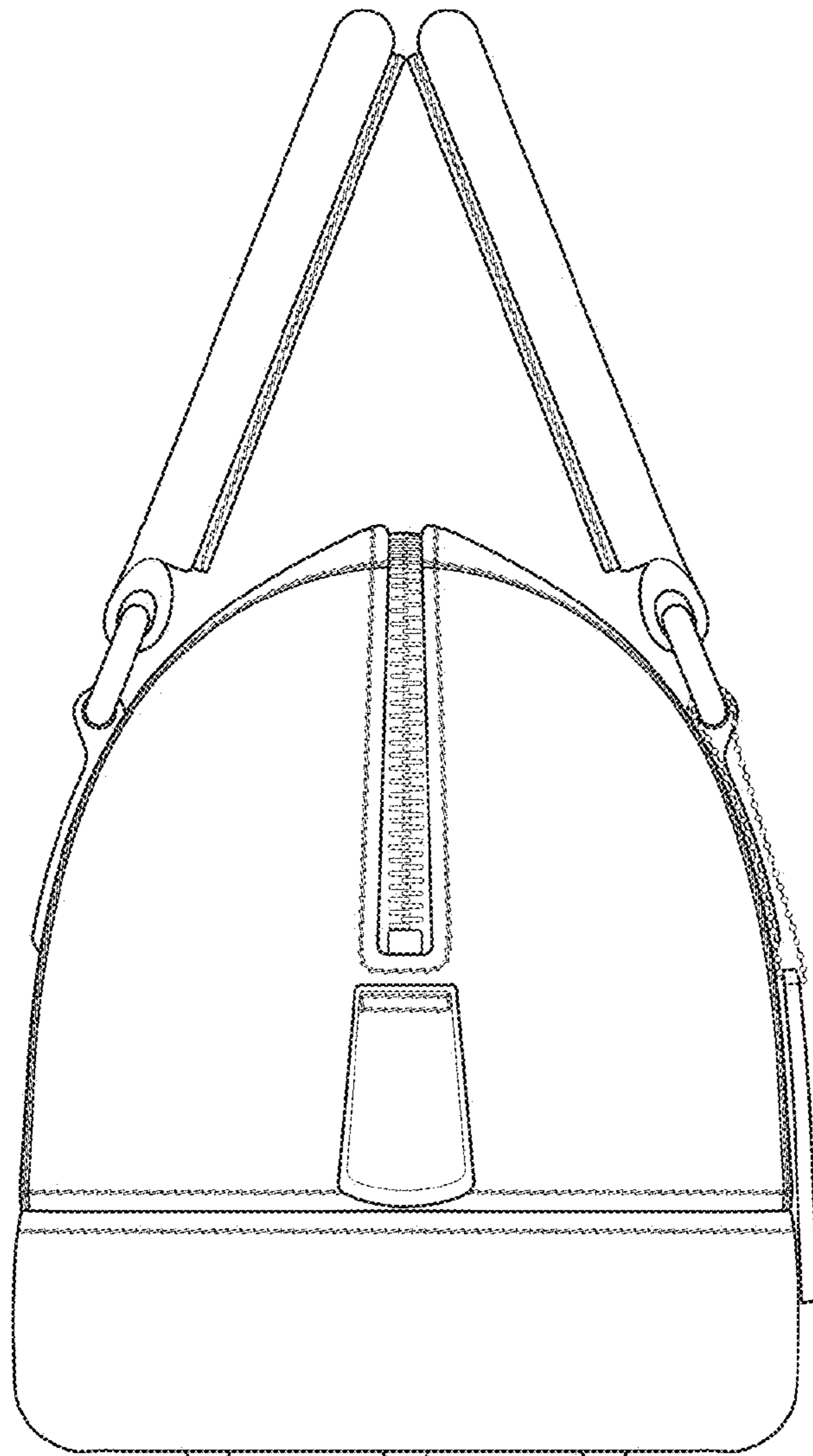


FIG. 5

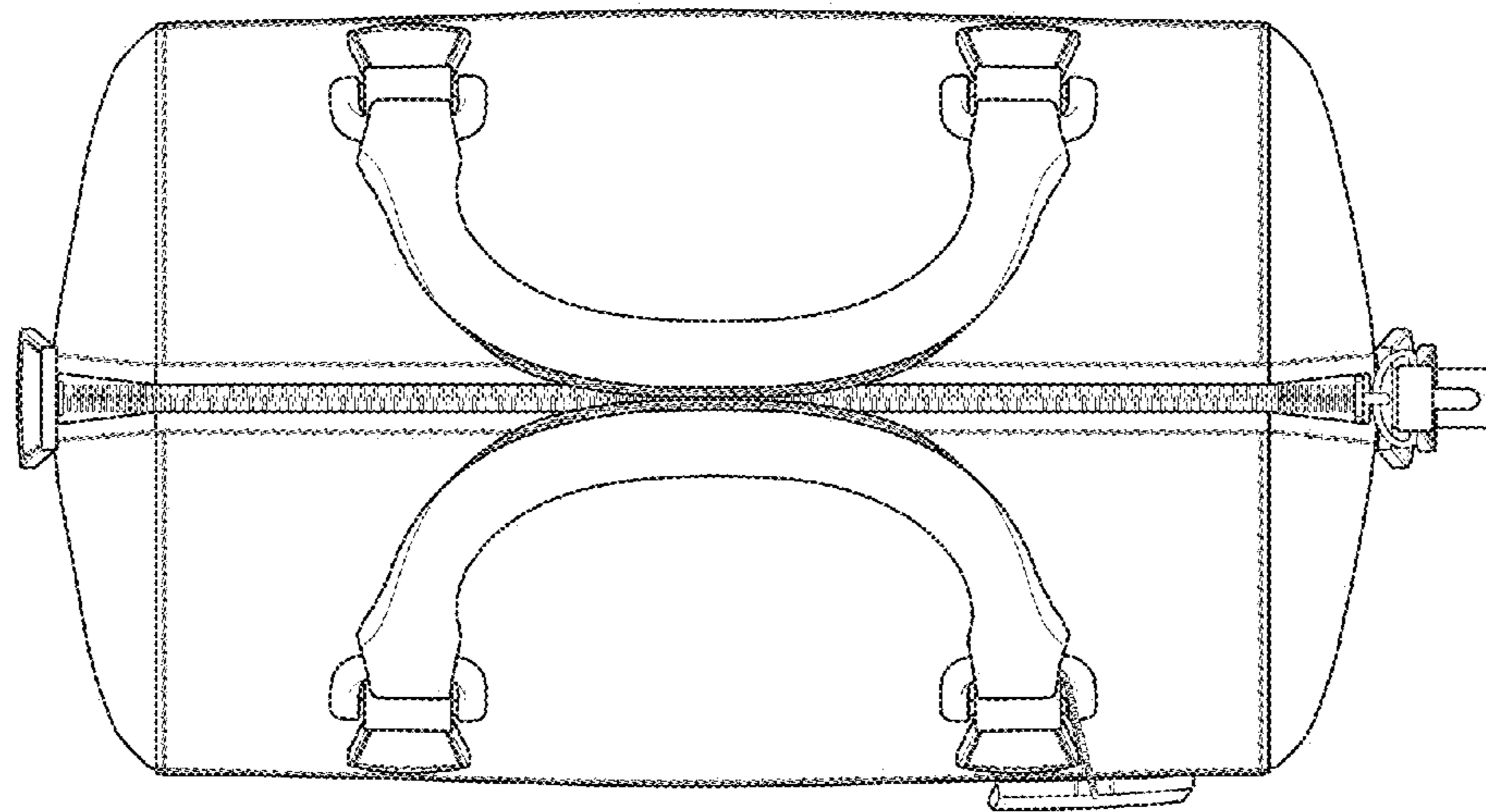


FIG. 6

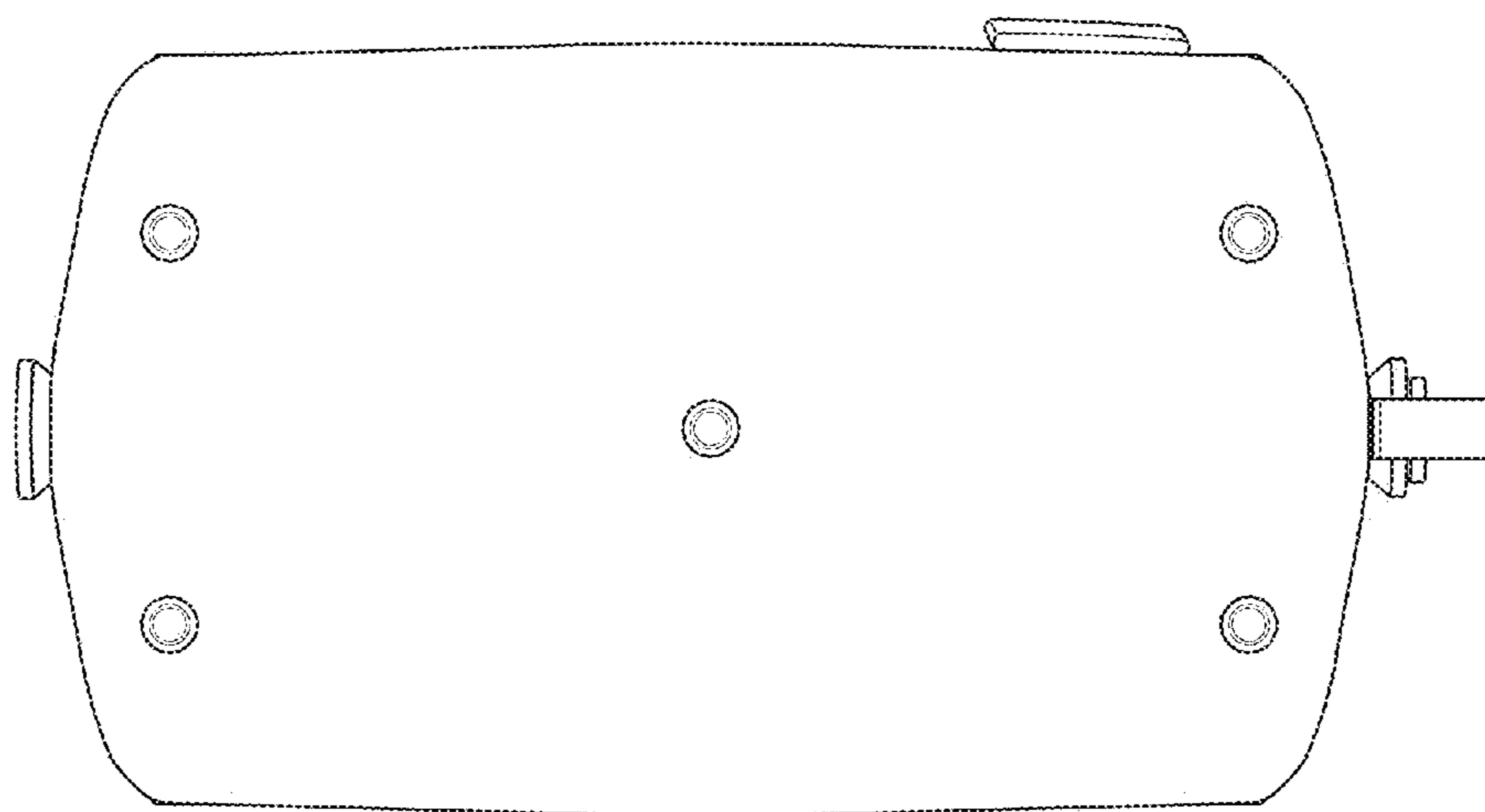


FIG. 7

