



US00D719346S

(12) **United States Design Patent**
Thomson

(10) **Patent No.:** **US D719,346 S**

(45) **Date of Patent:** **** Dec. 16, 2014**

(54) **PENCIL POUCH**

(71) Applicant: **IdeaStream Products, LLC**, Cleveland, OH (US)

(72) Inventor: **Vincent J. Thomson**, Avon Lake, OH (US)

(73) Assignee: **IdeaStream Products, LLC**, Cleveland, OH (US)

(**) Term: **14 Years**

(21) Appl. No.: **29/470,511**

(22) Filed: **Oct. 22, 2013**

(51) **LOC (10) Cl.** **02-02**

(52) **U.S. Cl.**
USPC **D3/206**

(58) **Field of Classification Search**
USPC D3/201, 205, 206, 315-317, 294, 226,
D3/232, 233, 247, 303; 190/100, 124, 903;
206/38, 235, 581, 823; 150/112
See application file for complete search history.

(56) **References Cited**

U.S. PATENT DOCUMENTS

D249,592 S * 9/1978 Libonati D3/226
4,782,874 A * 11/1988 Chartier 150/112

D439,040 S * 3/2001 Vazquez D3/233
D490,238 S * 5/2004 Bristel D3/226
D538,532 S * 3/2007 Cassegrain D3/232
D629,204 S * 12/2010 Spira D3/303
D702,043 S * 4/2014 Johnson et al. D3/247

* cited by examiner

Primary Examiner — Ian Simmons

Assistant Examiner — Charles Hanson

(74) *Attorney, Agent, or Firm* — Fay Sharpe LLP

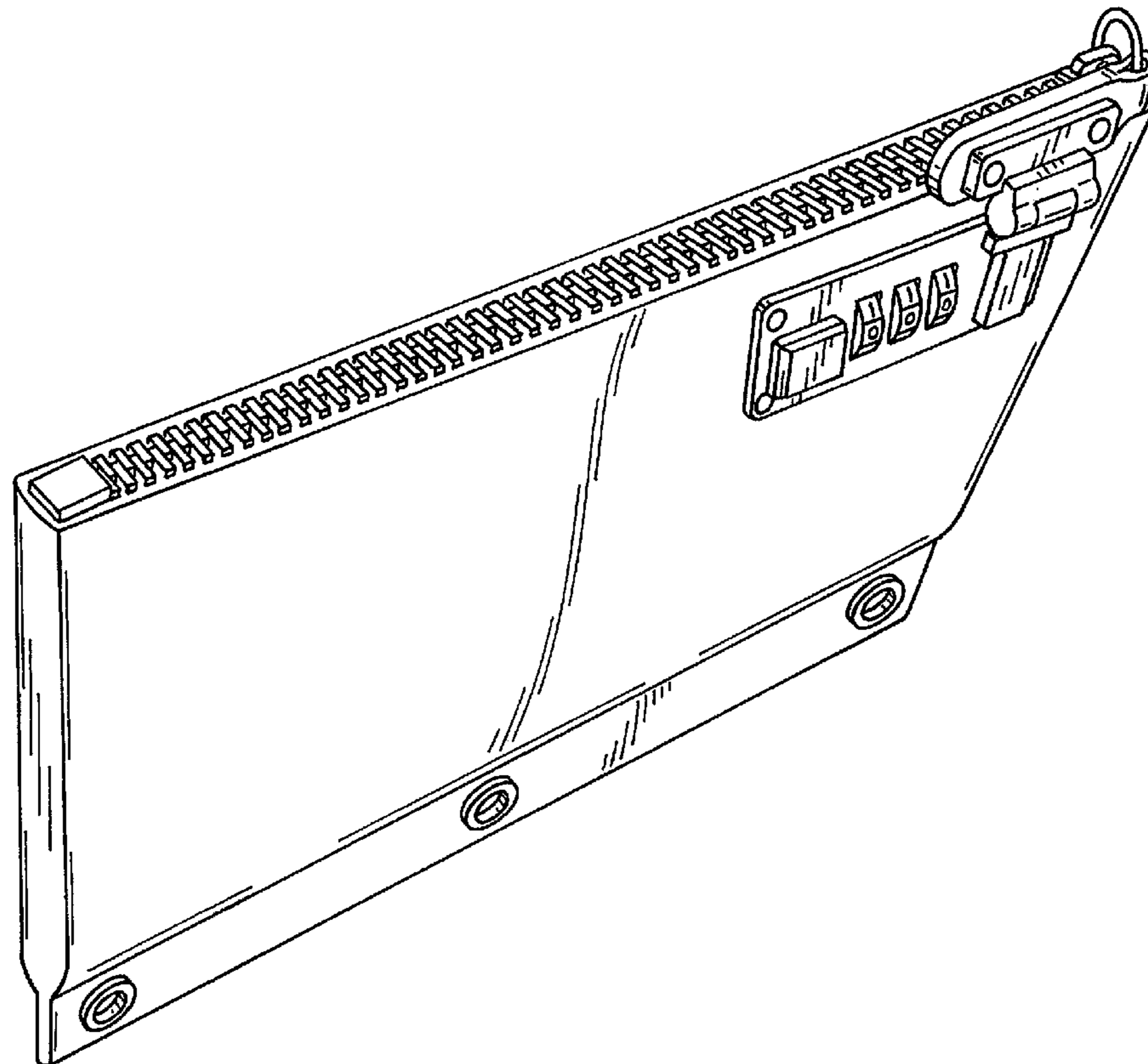
(57) **CLAIM**

The ornamental design for a pencil pouch, as shown and described.

DESCRIPTION

FIG. 1 is a front top perspective view of a pencil pouch showing my new design;
FIG. 2 is a top plan view thereof;
FIG. 3 is a side view thereof;
FIG. 4 is an opposite side view thereof;
FIG. 5 is a front view thereof;
FIG. 6 is a back view thereof;
FIG. 7 is a bottom plan view thereof; and,
FIG. 8 is a further perspective view thereof, opened.
The broken lines are included for the purpose of illustrating non-claimed subject matter and form no part of the claimed design.

1 Claim, 4 Drawing Sheets



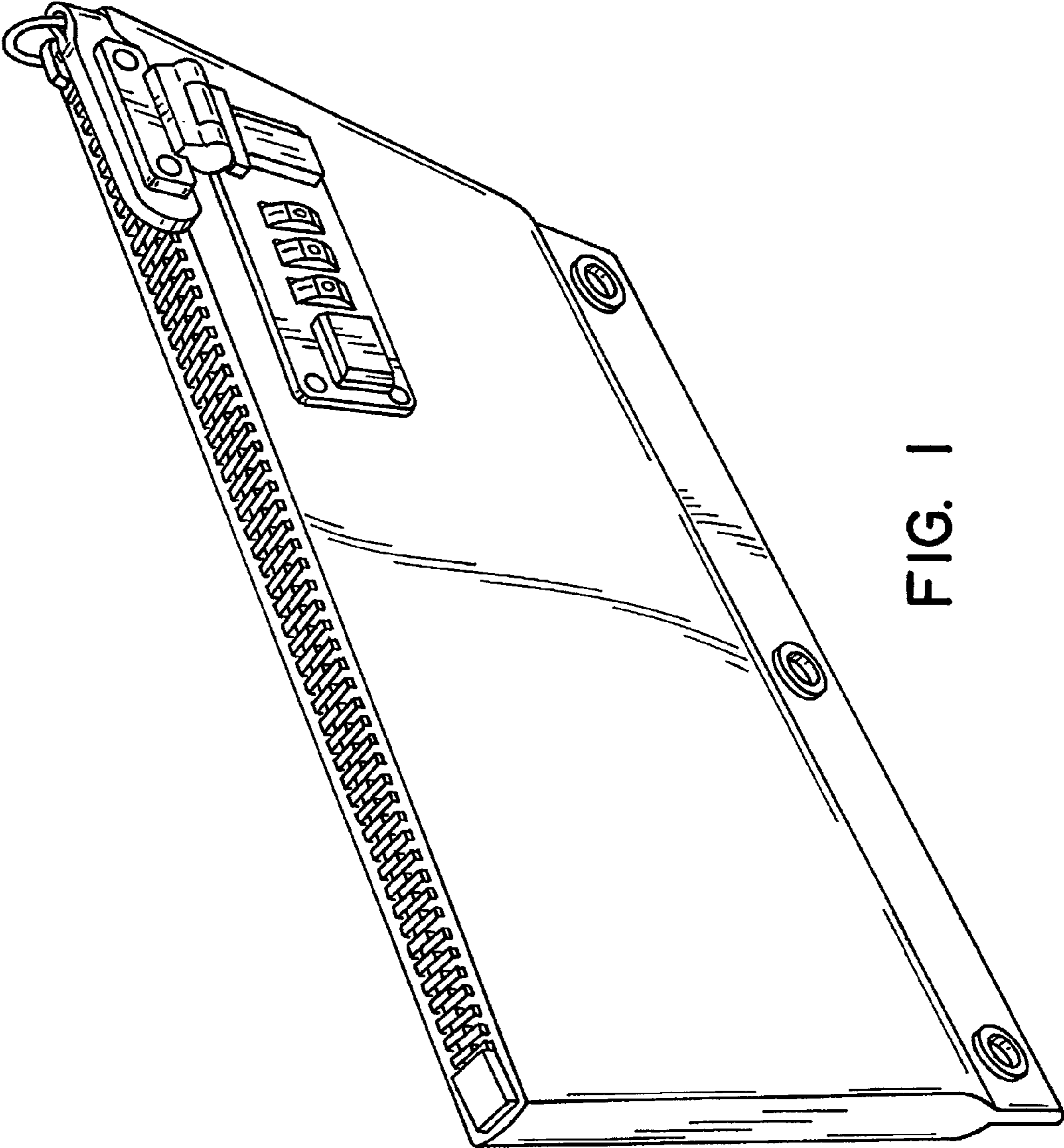


FIG. 1



FIG. 5

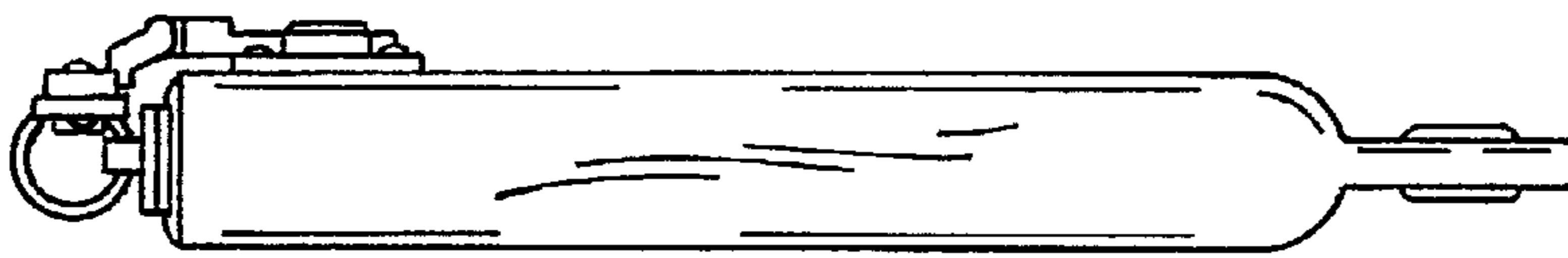


FIG. 3

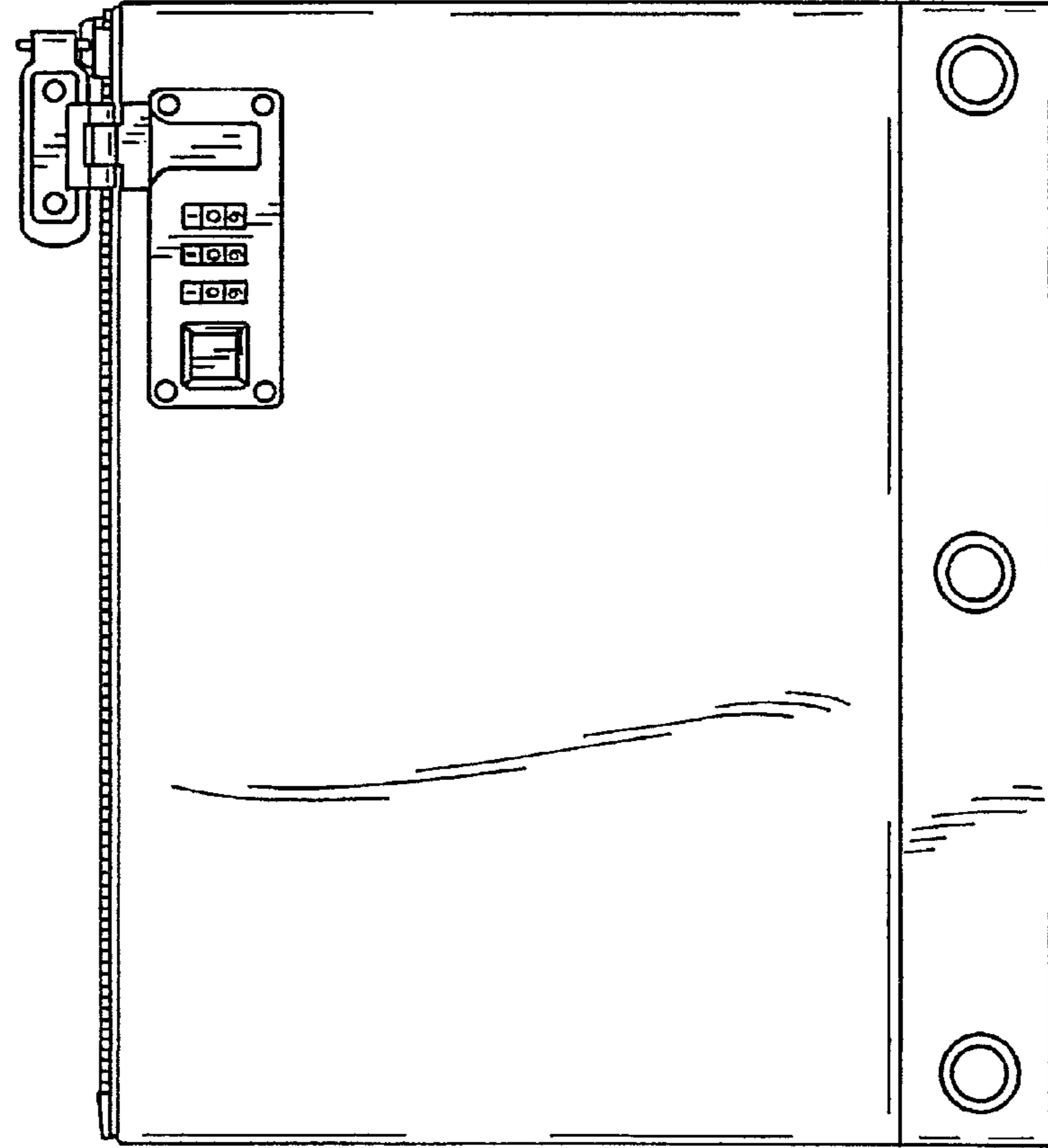


FIG. 2

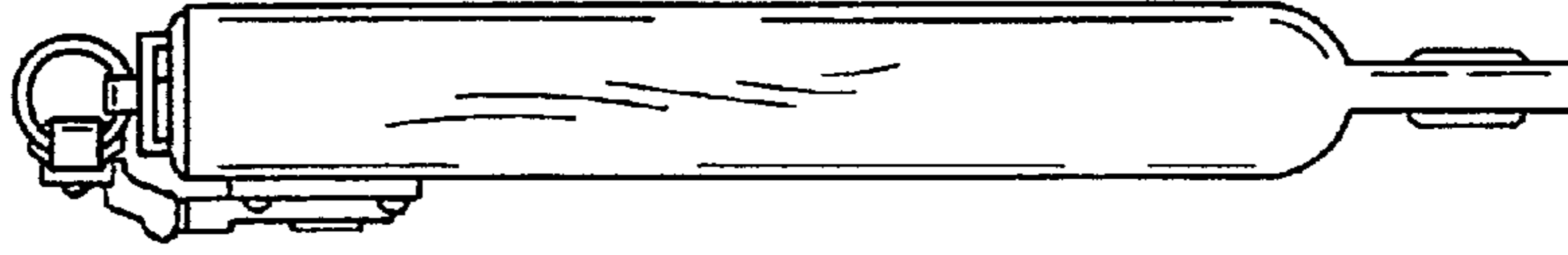


FIG. 4

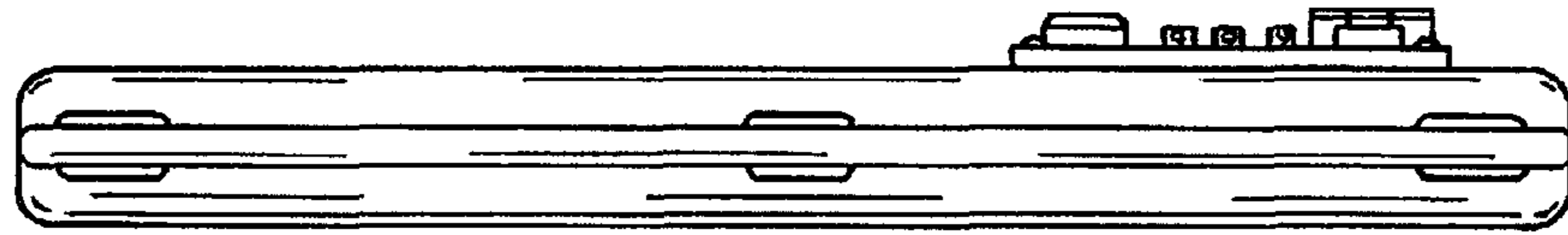


FIG. 6

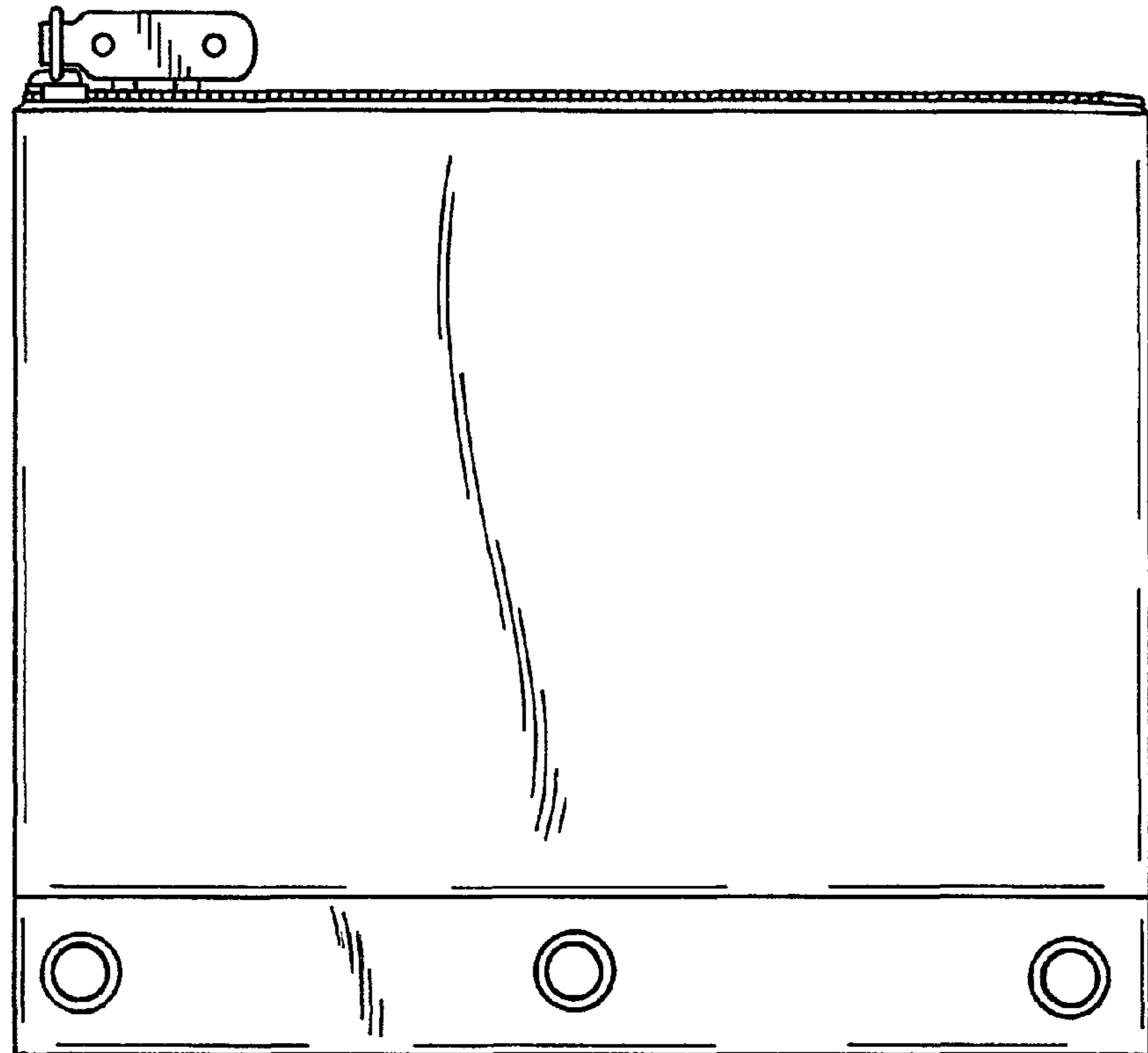


FIG. 7

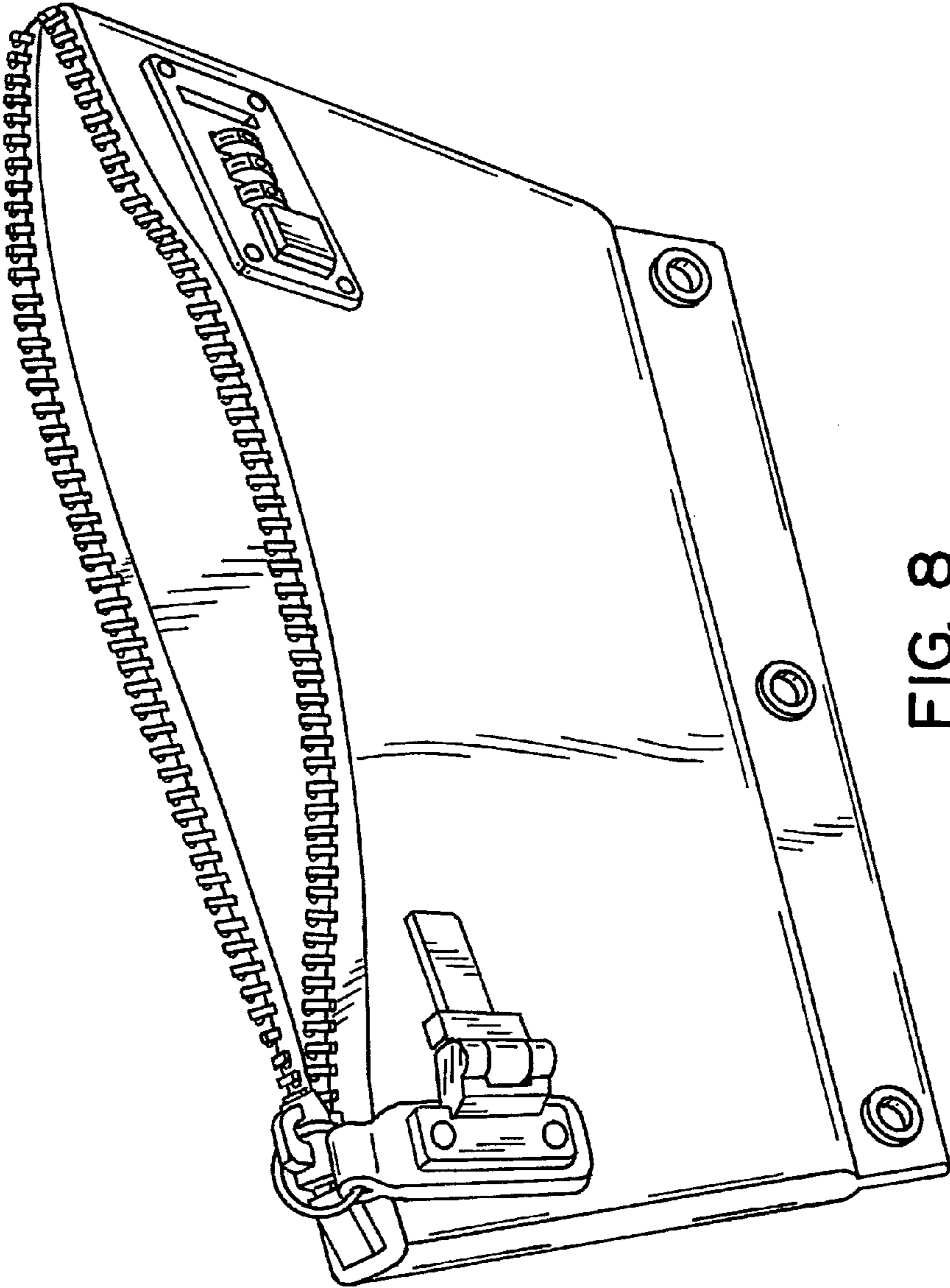


FIG. 8