



US00D719345S

(12) **United States Design Patent**
Lai et al.

(10) **Patent No.:** **US D719,345 S**

(45) **Date of Patent:** **** Dec. 16, 2014**

(54) **PILL BOX**

(71) Applicant: **Hon Hai Precision Industry Co., Ltd.**,
New Taipei (TW)

(72) Inventors: **Kuo-Ming Lai**, New Taipei (TW);
Lap-Shun Hui, Santa Clara, CA (US)

(73) Assignee: **Hon Hai Precision Industry Co., Ltd.**,
New Taipei (TW)

(**) Term: **14 Years**

(21) Appl. No.: **29/480,038**

(22) Filed: **Jan. 22, 2014**

(30) **Foreign Application Priority Data**

Aug. 7, 2013 (TW) 102305340 A

(51) **LOC (10) Cl.** **03-01**

(52) **U.S. Cl.**
USPC **D3/203.2**

(58) **Field of Classification Search**
USPC D3/201-205; 206/528-540
See application file for complete search history.

(56) **References Cited**

U.S. PATENT DOCUMENTS

D208,273 S *	8/1967	Bundy	D3/203.2
D274,040 S *	5/1984	Ridgley	D3/203.3
D587,898 S *	3/2009	Cetera	D3/203.2
D664,762 S *	8/2012	Dalton	D3/203.2

* cited by examiner

Primary Examiner — Catheri Oliver-Garcia

(74) *Attorney, Agent, or Firm* — Novak Druce Connolly
Bove + Quigg LLP

(57) **CLAIM**

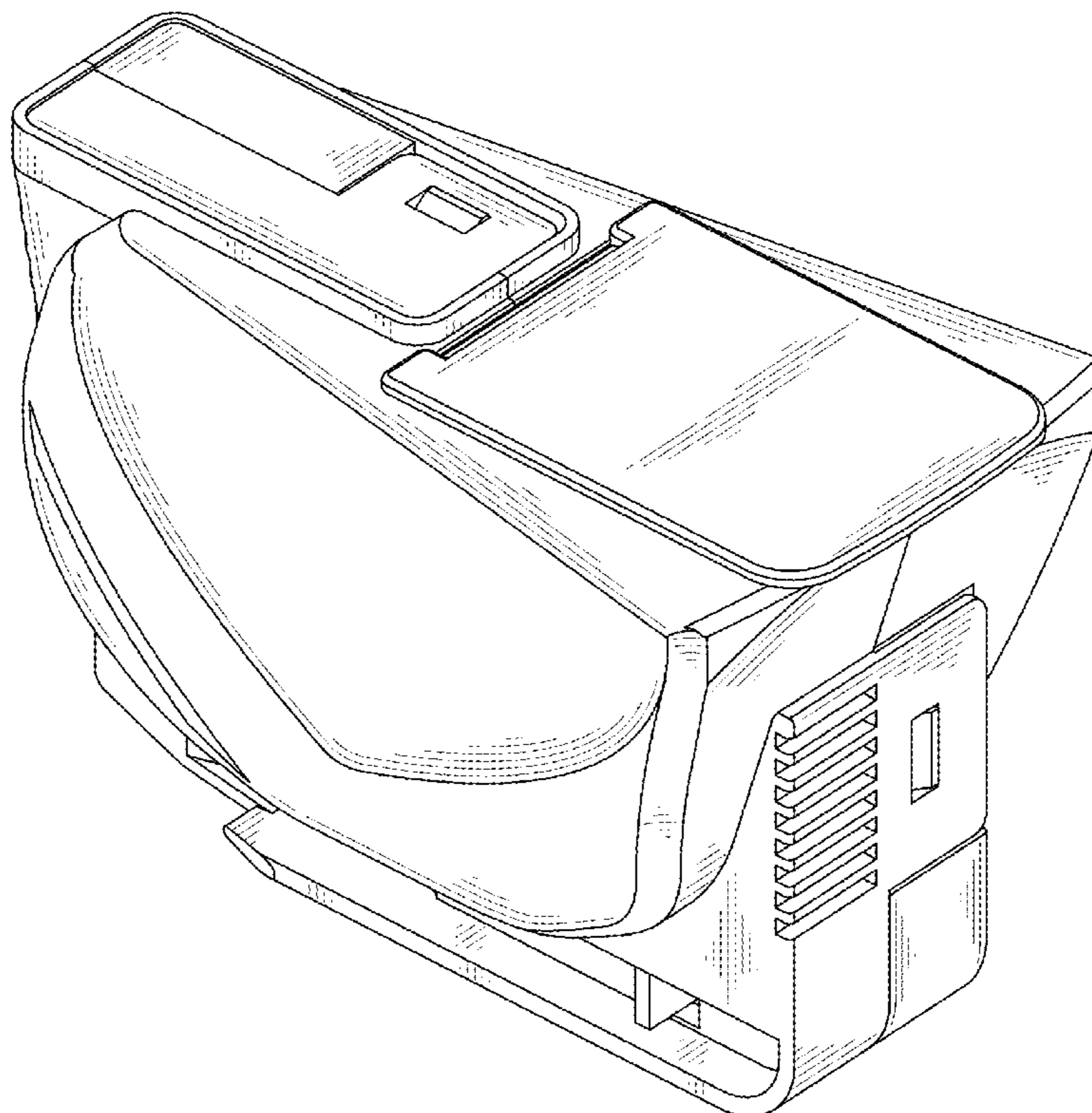
The ornamental design for a pill box, as shown and described.

DESCRIPTION

FIG. 1 is a perspective view of a first embodiment of a pill box;
FIG. 2 is a front elevational view thereof;
FIG. 3 is a rear elevational view thereof;
FIG. 4 is a left side elevational view thereof;
FIG. 5 is a right side elevational view thereof;
FIG. 6 is a top plan view thereof;
FIG. 7 is a bottom plan view thereof; and,
FIG. 8 is a perspective view of a second embodiment of the pillbox.

The broken lines shown in the figures form no part of the claimed design and the shaded lines in the figures show contour and not surface ornamentation. Except for the view shown in FIG. 8, all views of the second embodiment correspond to those of the first, and are therefore not duplicated.

1 Claim, 8 Drawing Sheets



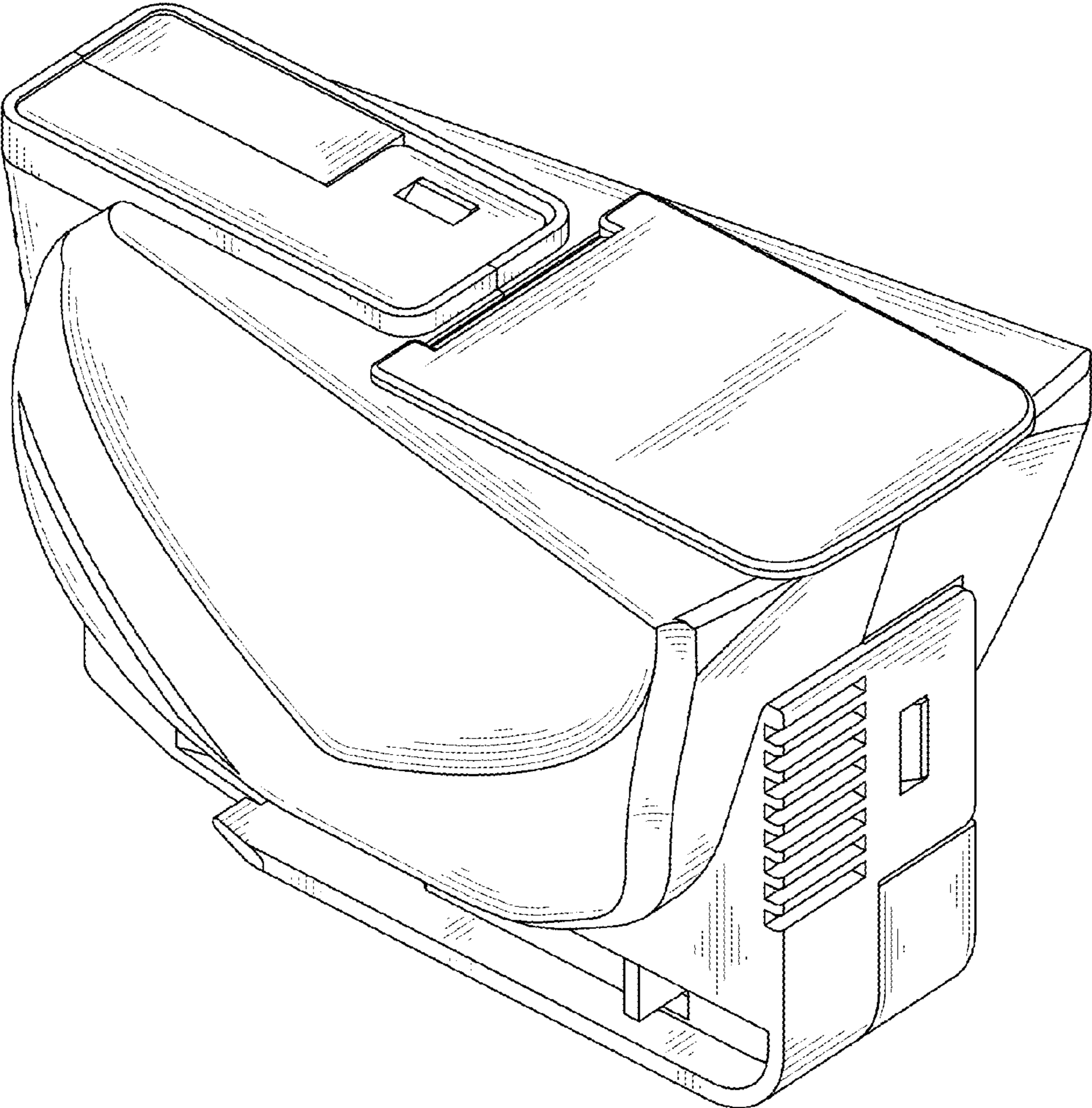


FIG. 1

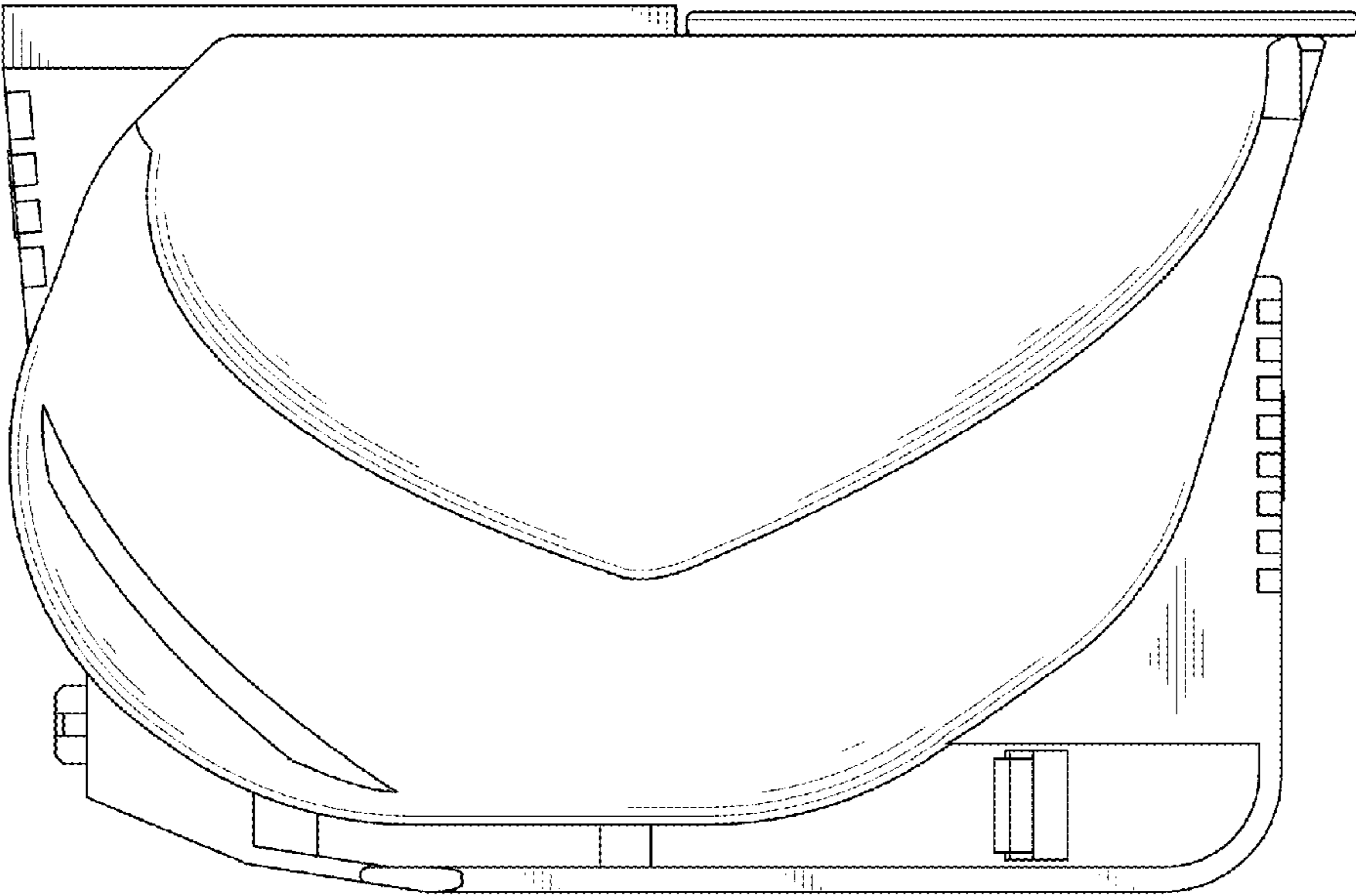


FIG. 2

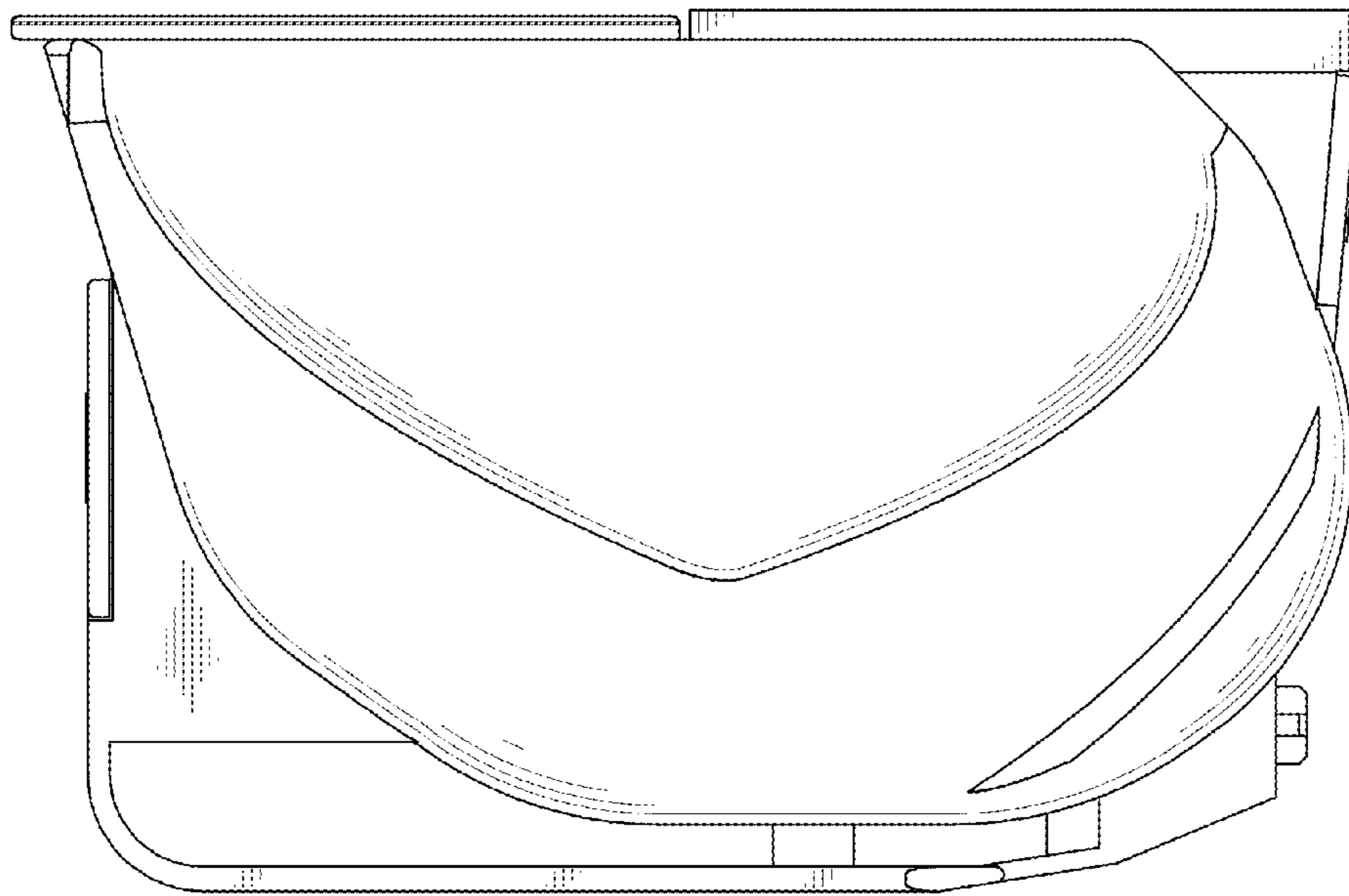


FIG. 3

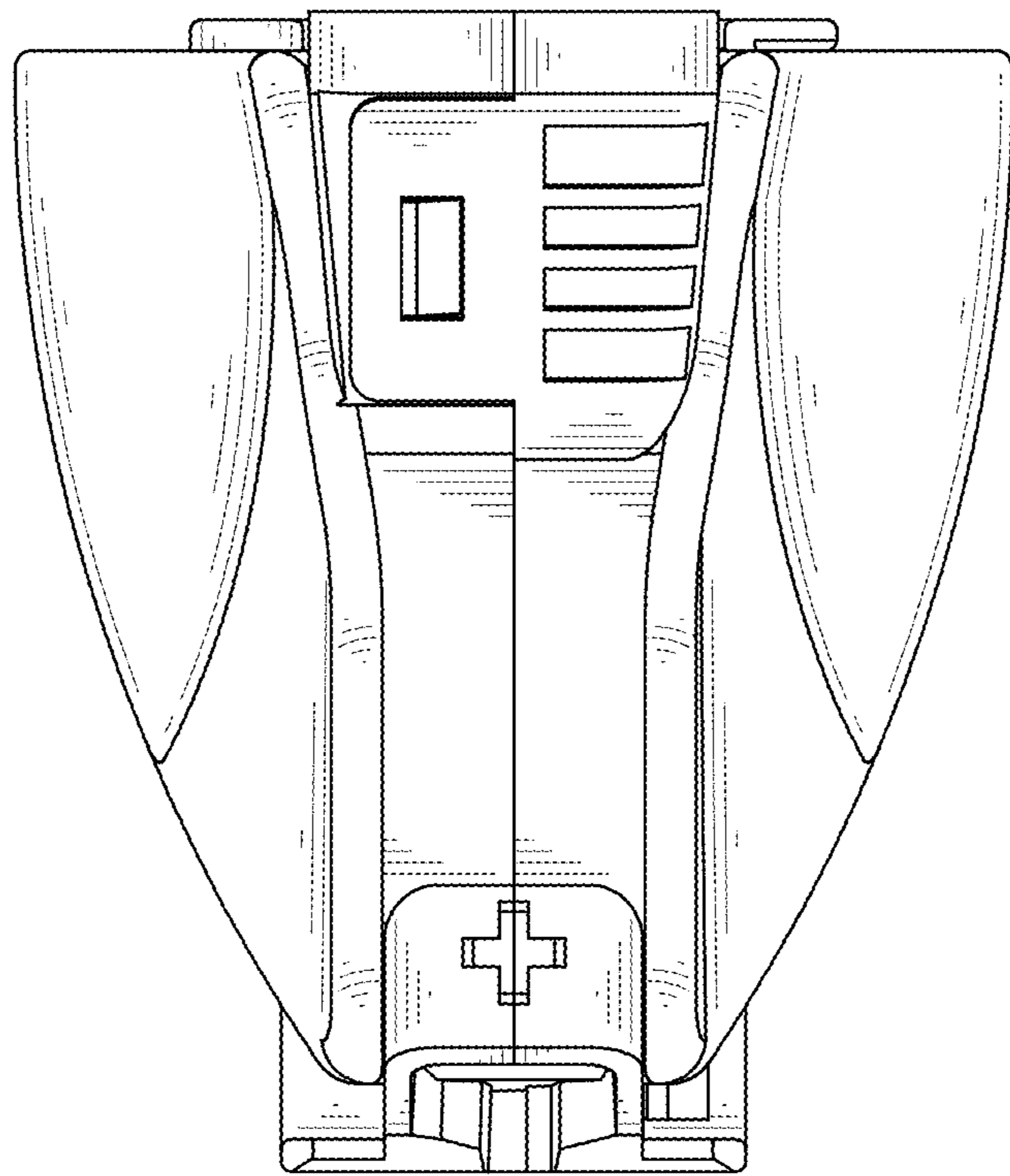


FIG. 4

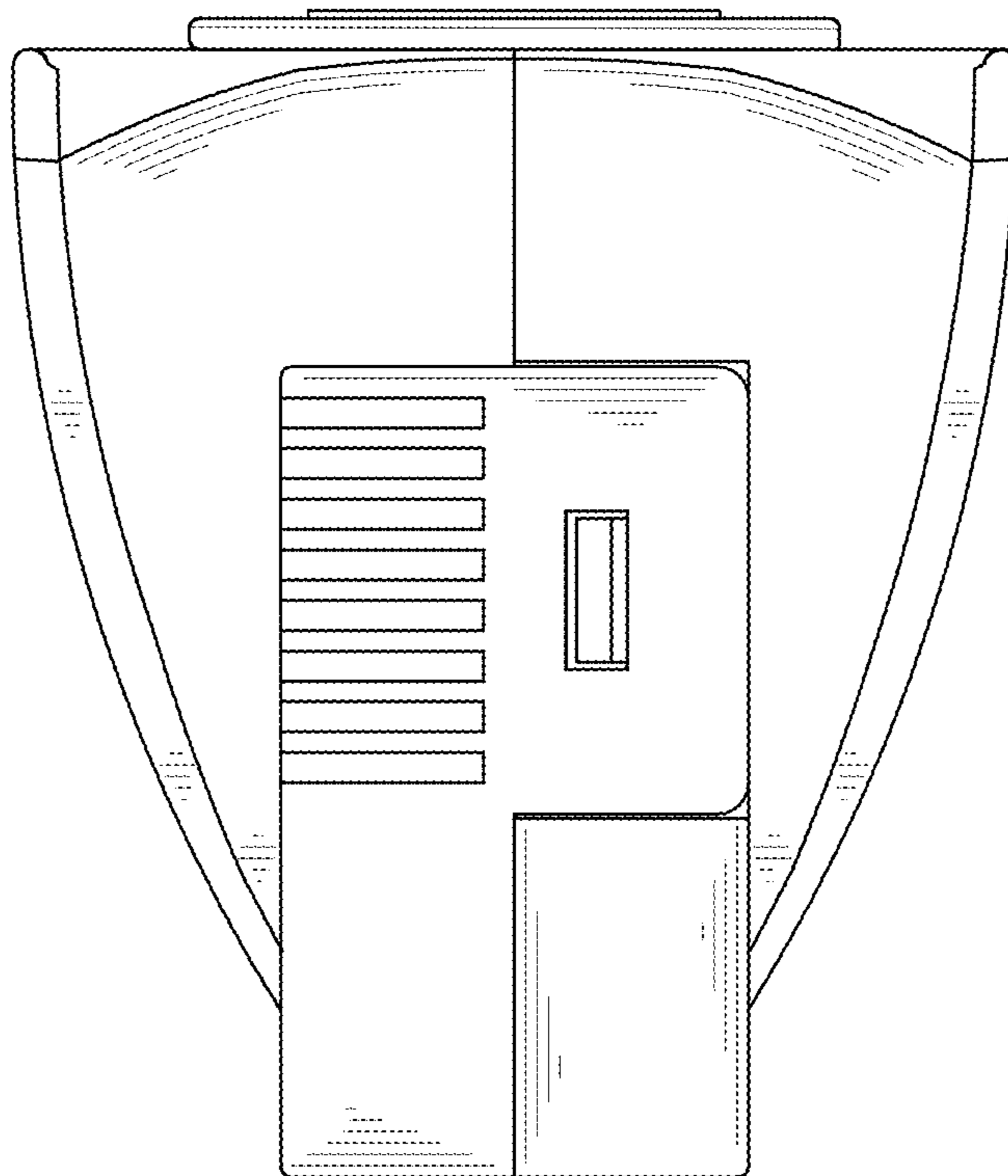


FIG. 5

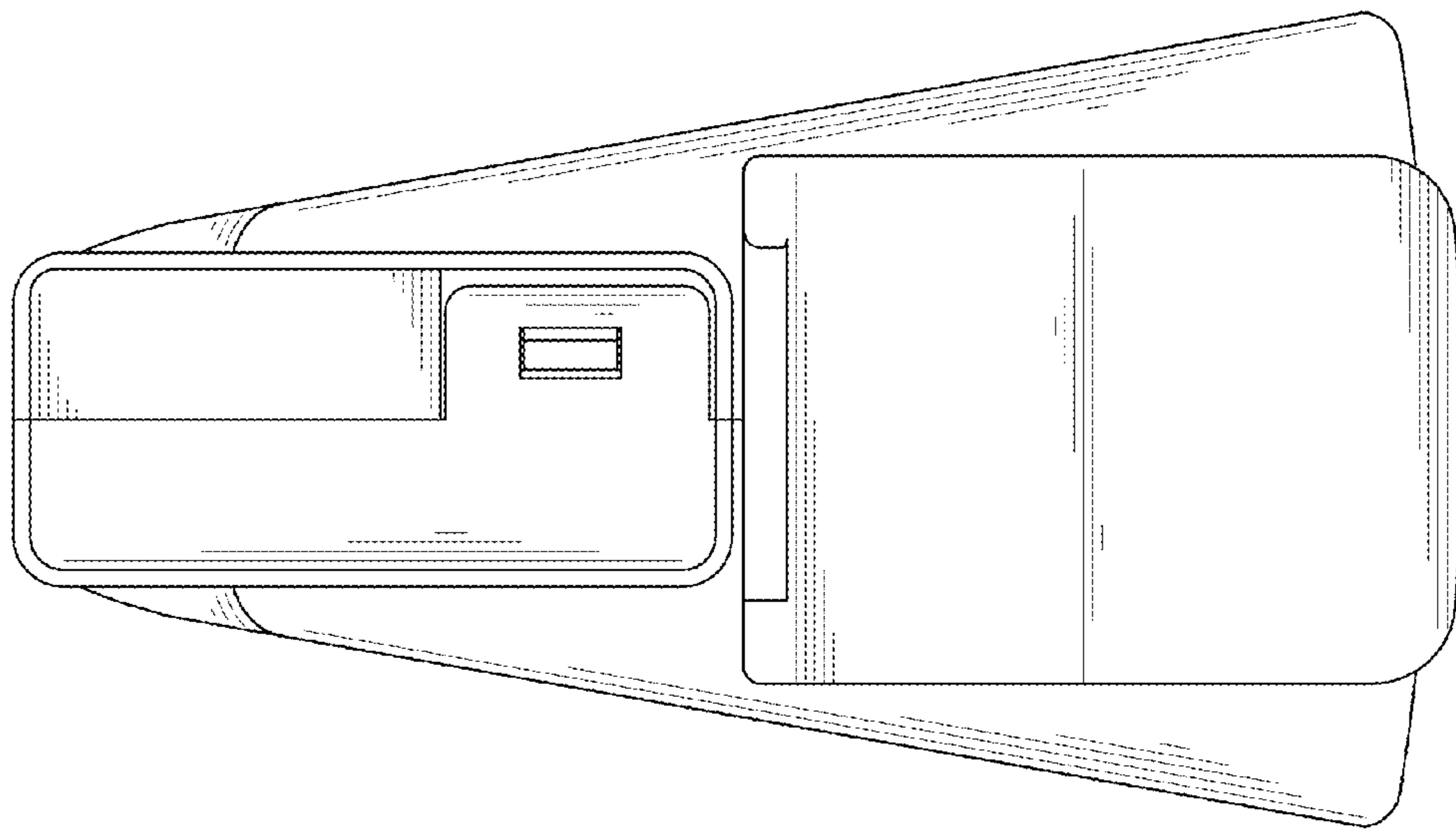


FIG. 6

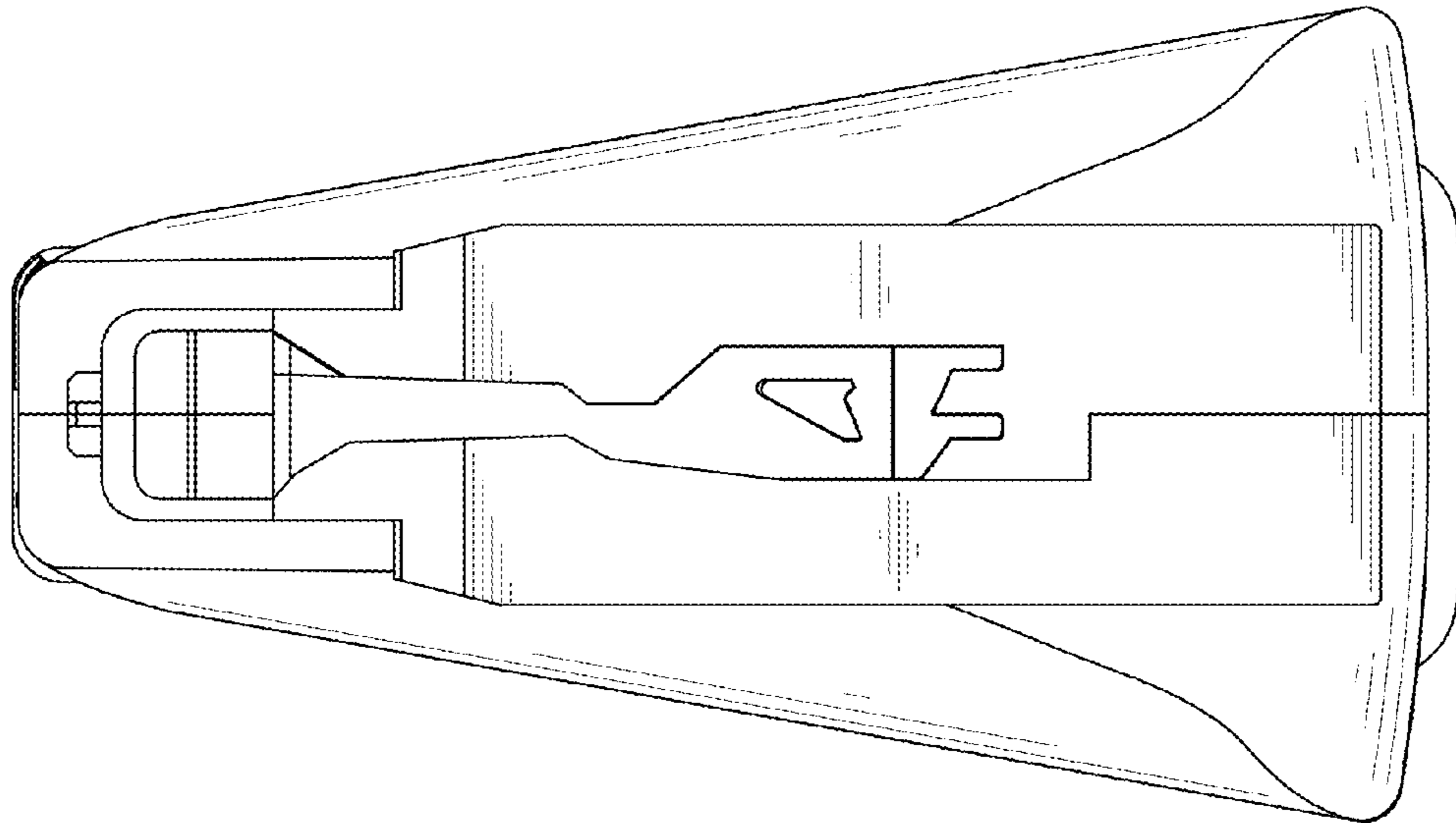


FIG. 7

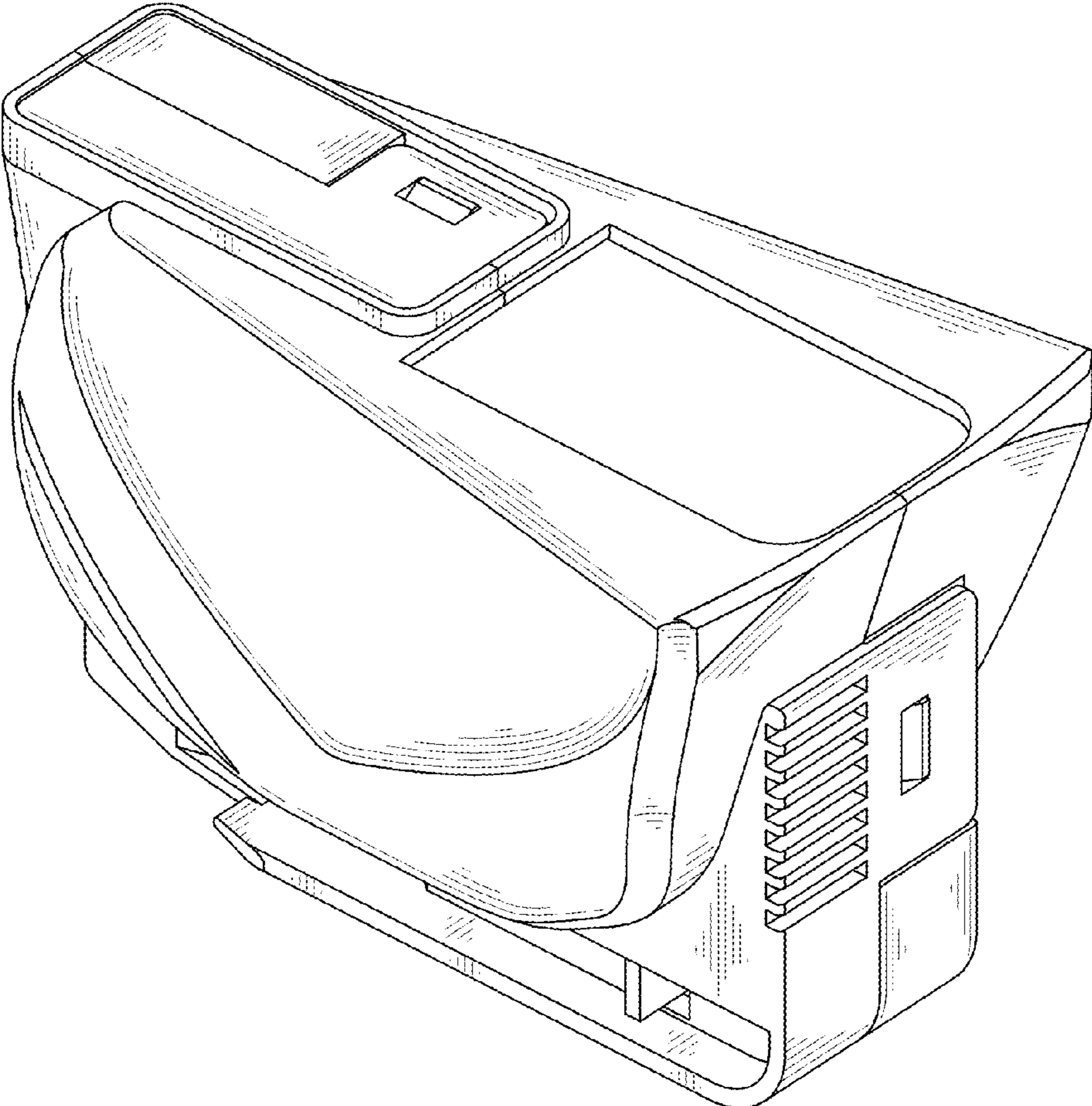


FIG. 8