



US00D719344S

(12) **United States Design Patent**
Miller et al.

(10) **Patent No.:** **US D719,344 S**
(45) **Date of Patent:** **** Dec. 16, 2014**

(54) **PRESCRIPTION SAFE FOR MEDICINE CABINET**

(71) Applicant: **Rx Armory, LLC**, Phoenix, AZ (US)

(72) Inventors: **James P. Miller**, Phoenix, AZ (US);
Donald Whaley, Monroe, CT (US);
Nathan Spinks, Trumbull, CT (US);
Patrick Wind, Darien, CT (US);
Douglas W. Hebert, Fountain Hills, AZ (US)

(73) Assignee: **Rx Armory, LLC**, Phoenix, AZ (US)

(**) Term: **14 Years**

(21) Appl. No.: **29/461,753**

(22) Filed: **Jul. 26, 2013**

(51) **LOC (10) Cl.** **03-01**

(52) **U.S. Cl.**
USPC **D3/203.1**; D99/28

(58) **Field of Classification Search**
USPC D99/28, 34, 35, 36, 43, 99; 109/1 R, 1 V,
109/45, 2, 49.5, 52, 58, 59 R, 78; 902/9;
206/0.8, 0.81, 0.82, 317, 527,
206/528-534, 534.1, 534.2, 535, 536, 537,
206/538, 539, 540, 828; D3/201, 203.1,
D3/203.6, 205, 272, 273; D6/662.1, 512,
D6/513, 514, 524

See application file for complete search history.

(56) **References Cited**

U.S. PATENT DOCUMENTS

2,755,748	A *	7/1956	Abell, Jr.	109/52
D308,276	S *	5/1990	Appelbaum	D99/28
D308,279	S *	5/1990	Hill	D99/35
D308,744	S *	6/1990	Arauchi	D99/28
D390,327	S *	2/1998	Warnelov	D99/28
5,769,006	A *	6/1998	Allaer	109/73

D516,768	S *	3/2006	Walker	D99/28
D516,769	S *	3/2006	Walker	D99/28
D517,269	S *	3/2006	Walker	D99/28
D517,770	S *	3/2006	Walker	D99/28
D534,965	S *	1/2007	Chung	D21/519
D557,875	S *	12/2007	Stuhlberg et al.	D99/28
7,654,388	B2 *	2/2010	Catron	206/1.5
D621,152	S *	8/2010	Lebow	D3/203.1
D623,398	S *	9/2010	Meiser et al.	D3/203.1
D624,275	S *	9/2010	Min	D99/28
D635,324	S *	3/2011	Plato	D99/28
D678,671	S *	3/2013	Ballard et al.	D3/203.1
D688,024	S *	8/2013	Metlen et al.	D99/28
2002/0062767	A1 *	5/2002	Walker	109/67

* cited by examiner

Primary Examiner — Elizabeth J Oswecki

(74) *Attorney, Agent, or Firm* — Jefferson IP Law, LLP;
Raymond B. Persino

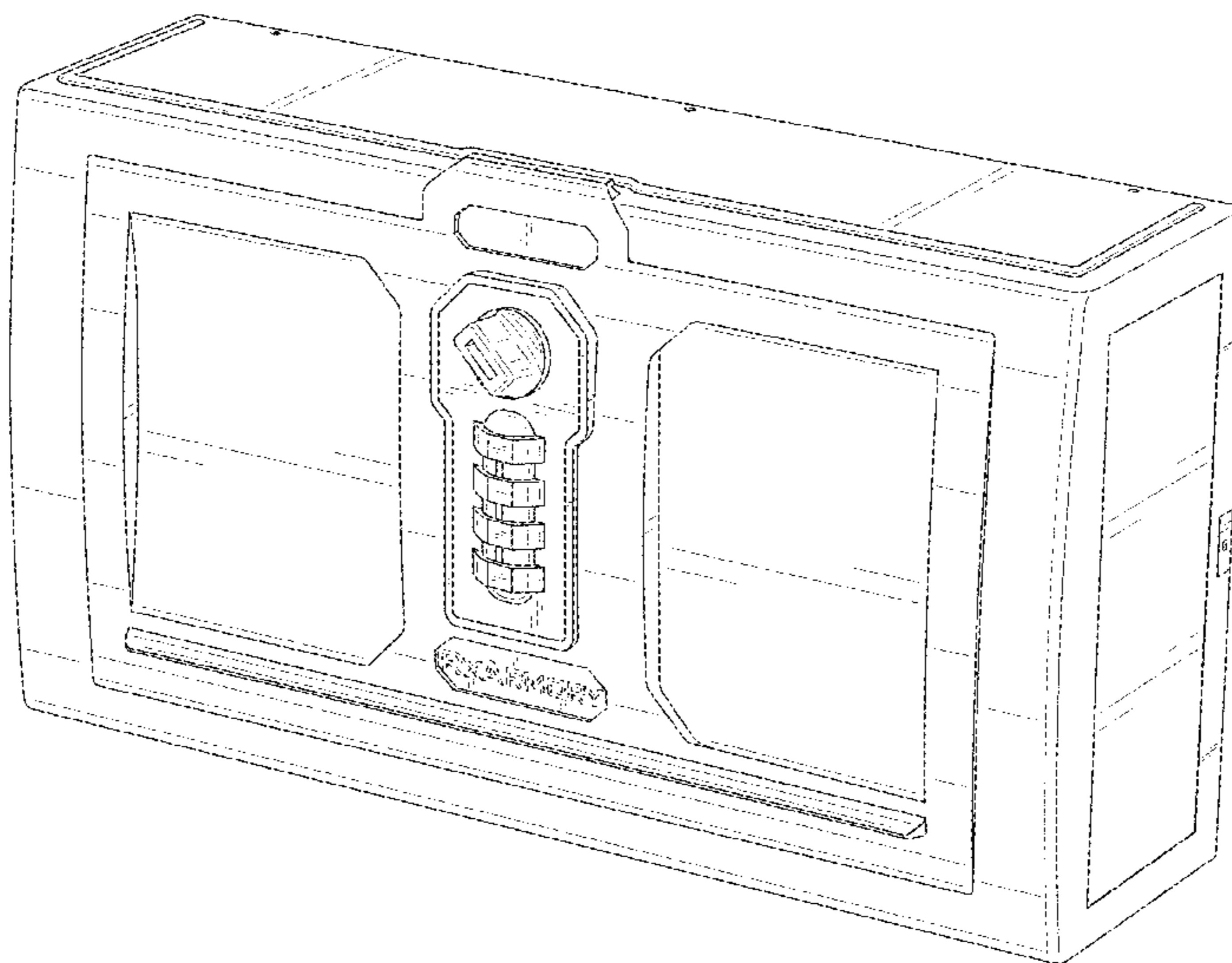
(57) **CLAIM**

The ornamental design for a prescription safe for medicine cabinet, as shown and described.

DESCRIPTION

FIG. 1 is a perspective view of a prescription safe for medicine cabinet with the door shown in a closed position, showing our new design;
FIG. 2 is a front elevational view thereof;
FIG. 3 is a rear elevational view thereof;
FIG. 4 is a left side elevational view thereof;
FIG. 5 is a right side elevational view thereof;
FIG. 6 is a top plan view thereof;
FIG. 7 is a bottom plan view thereof; and,
FIG. 8 is another perspective view of the prescription safe for medicine cabinet with the door shown in an open position.
The broken lines shown in FIGS. 1-8 are included for the purpose of illustrating environmental elements only and form no part of the claimed design.

1 Claim, 7 Drawing Sheets



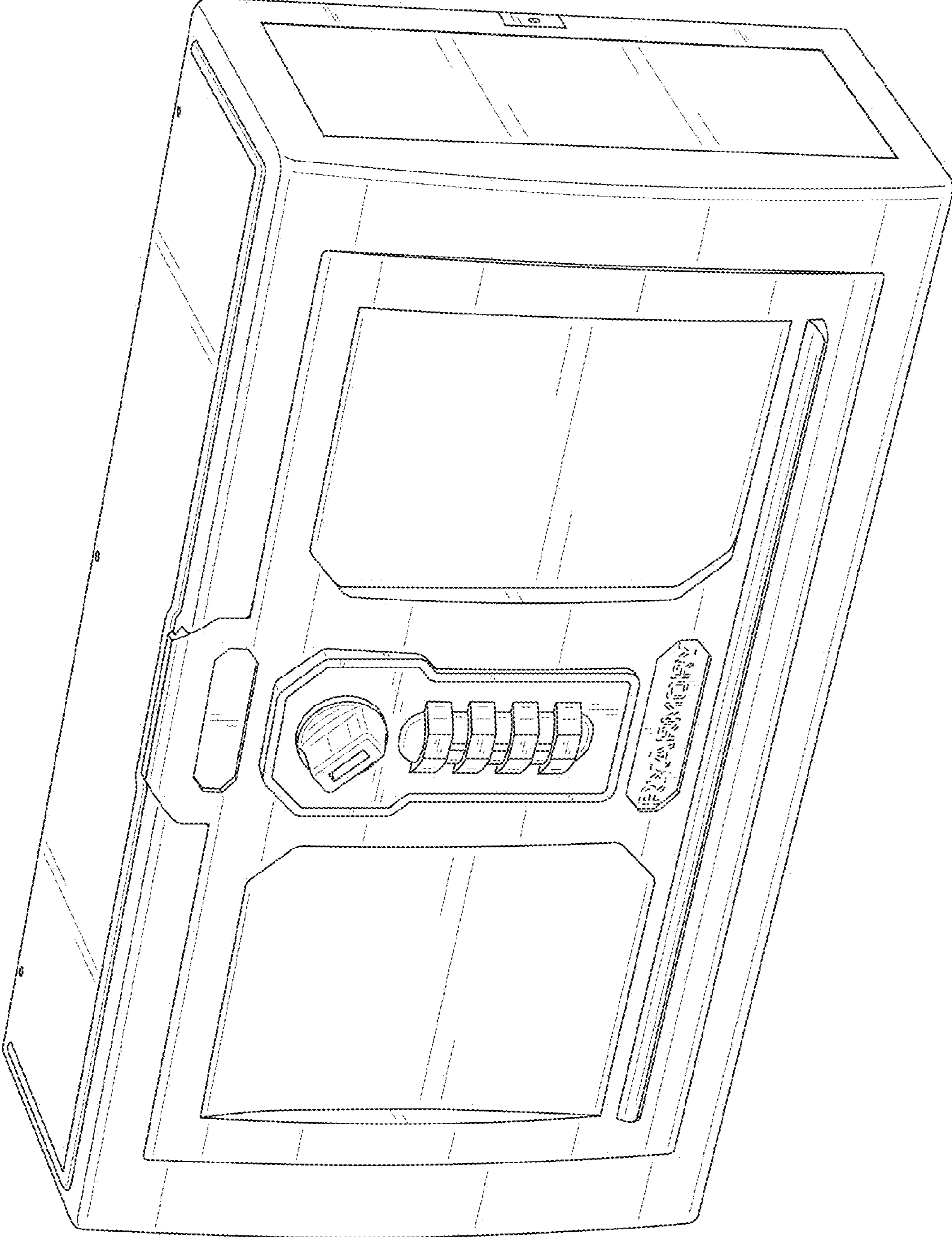


FIG. 1

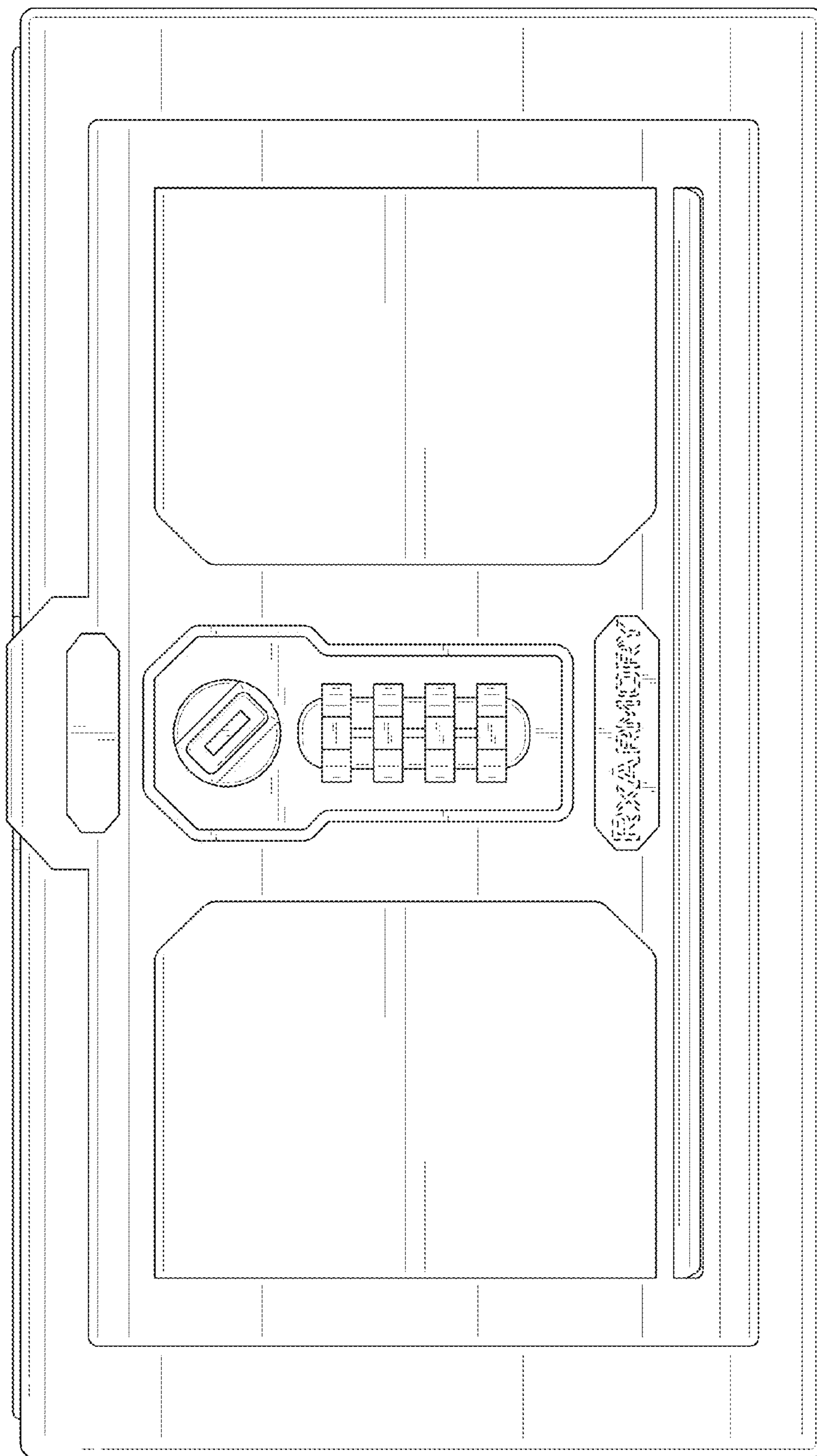


FIG. 2

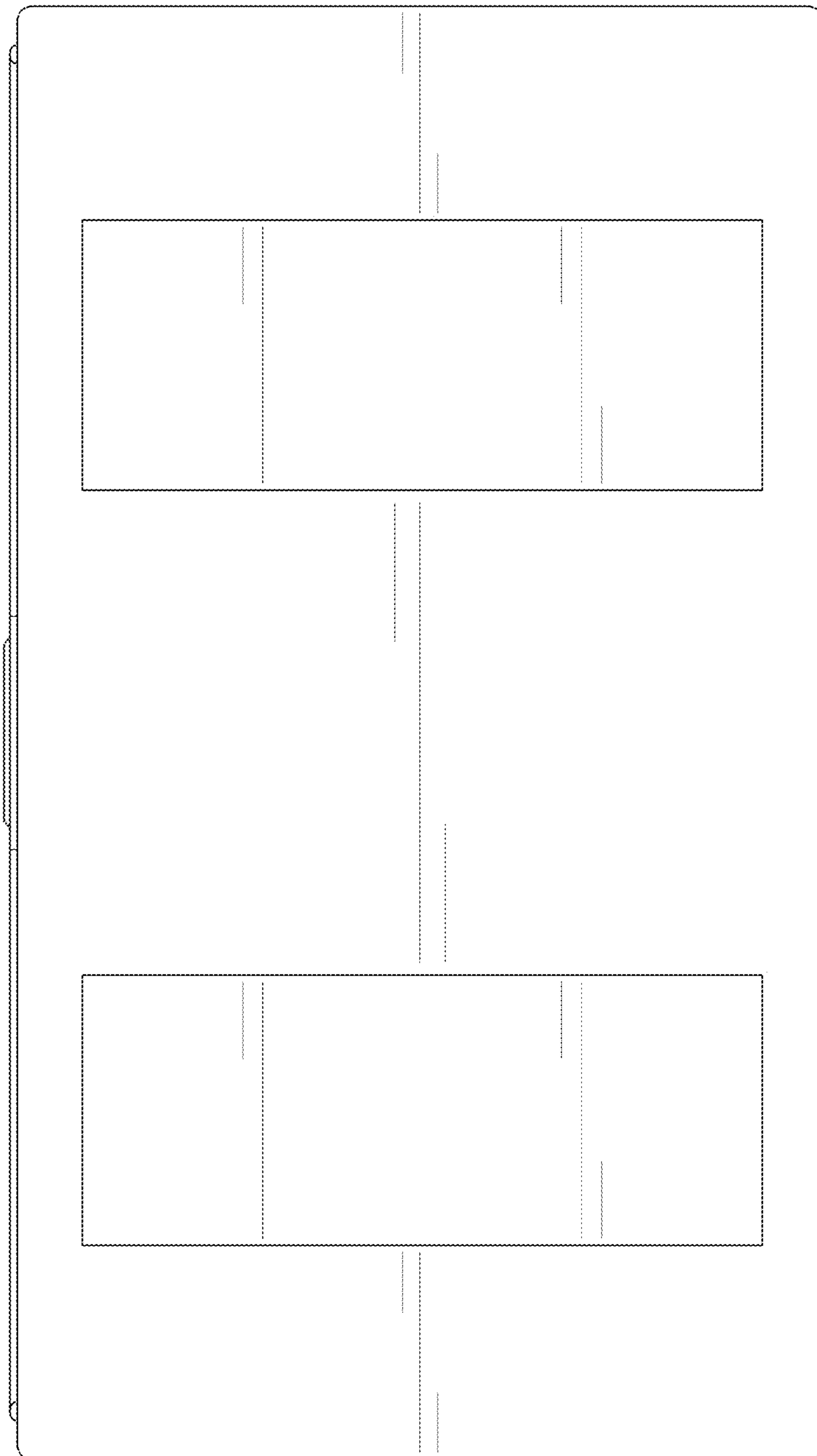


FIG. 3

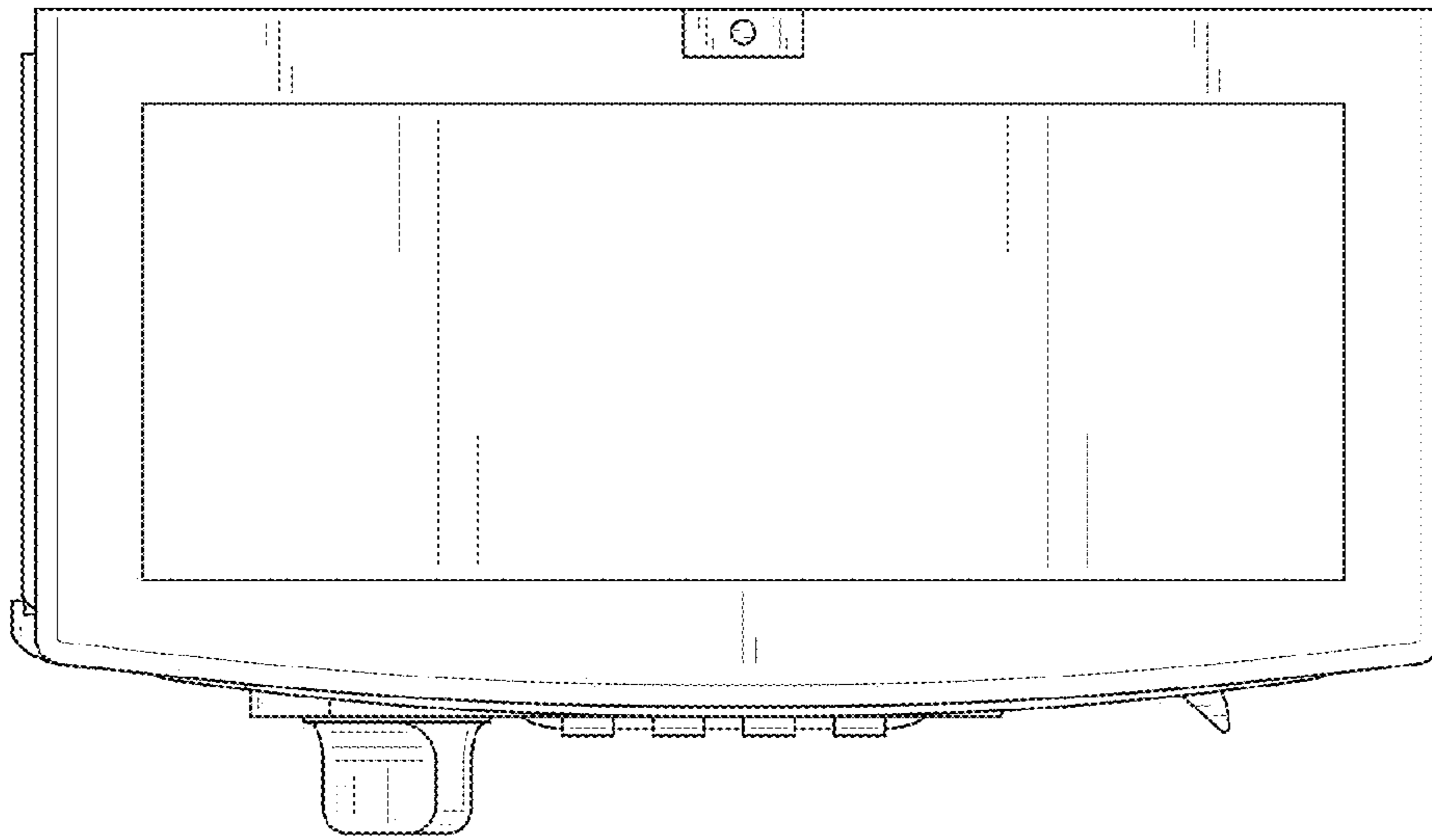


FIG. 5

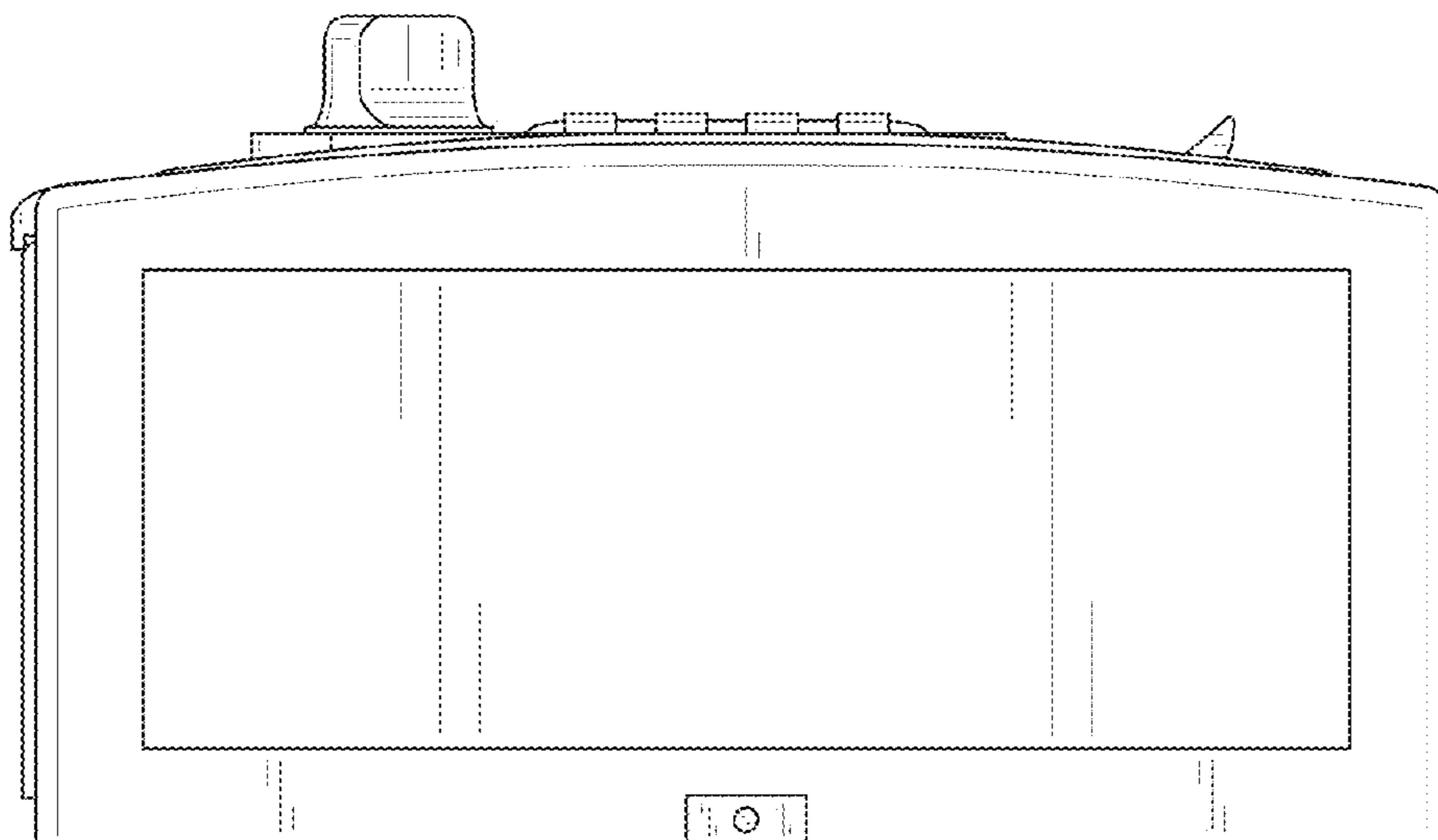


FIG. 4

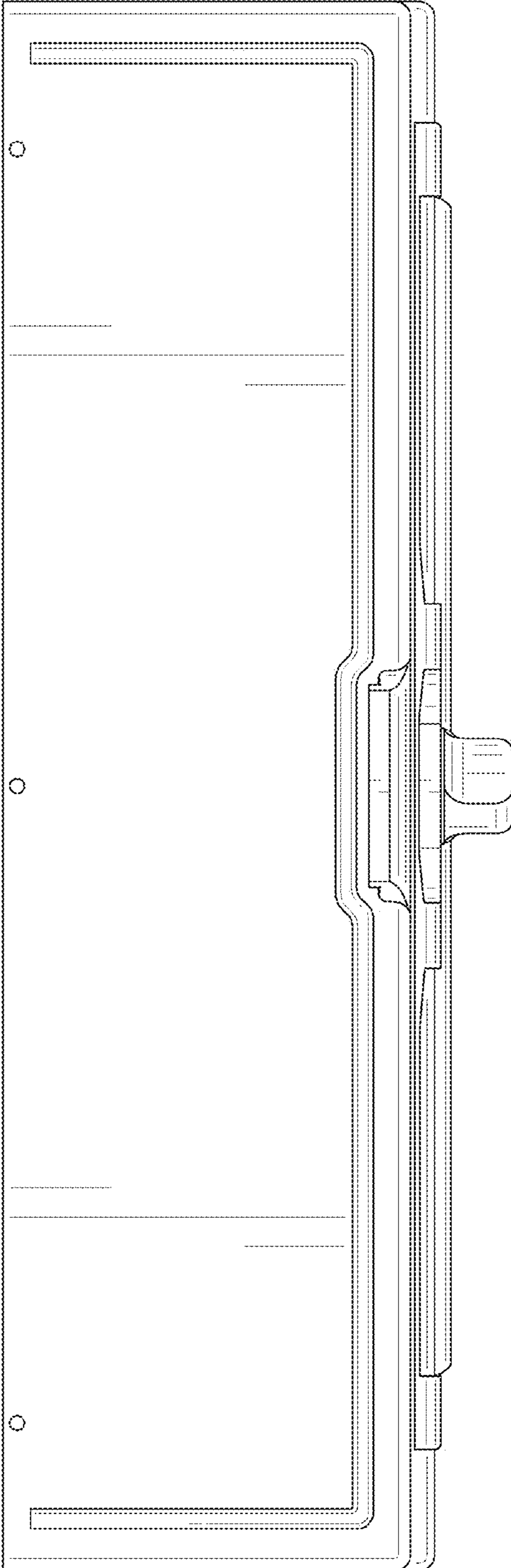


FIG. 6

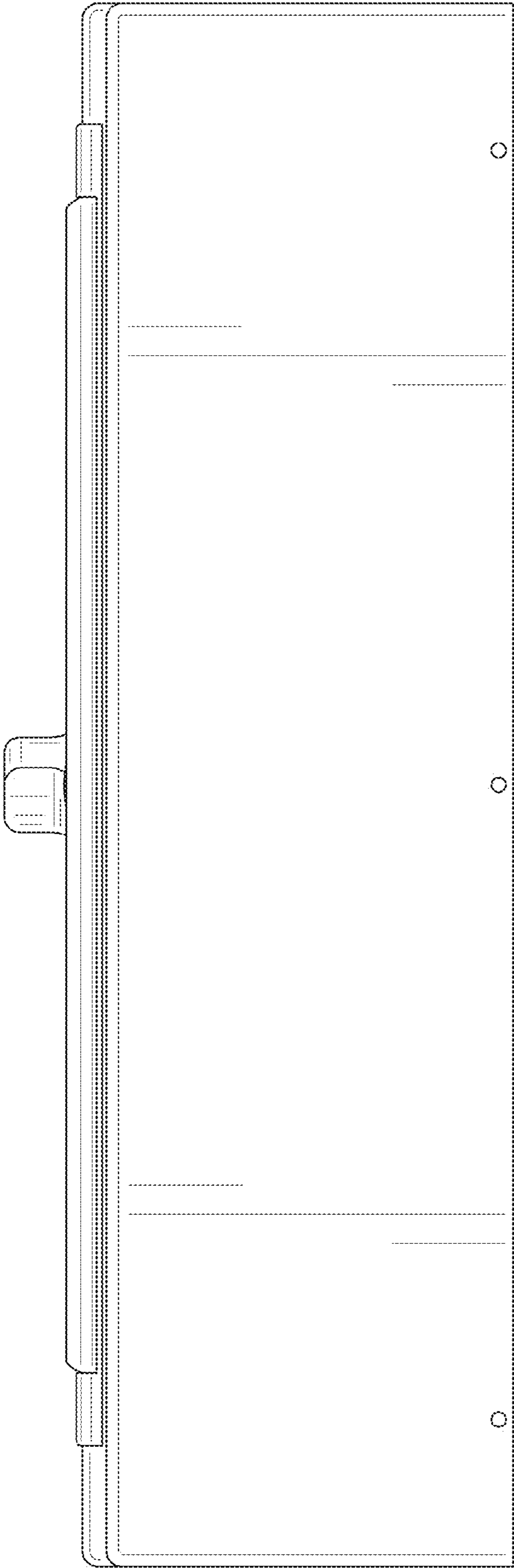


FIG. 7

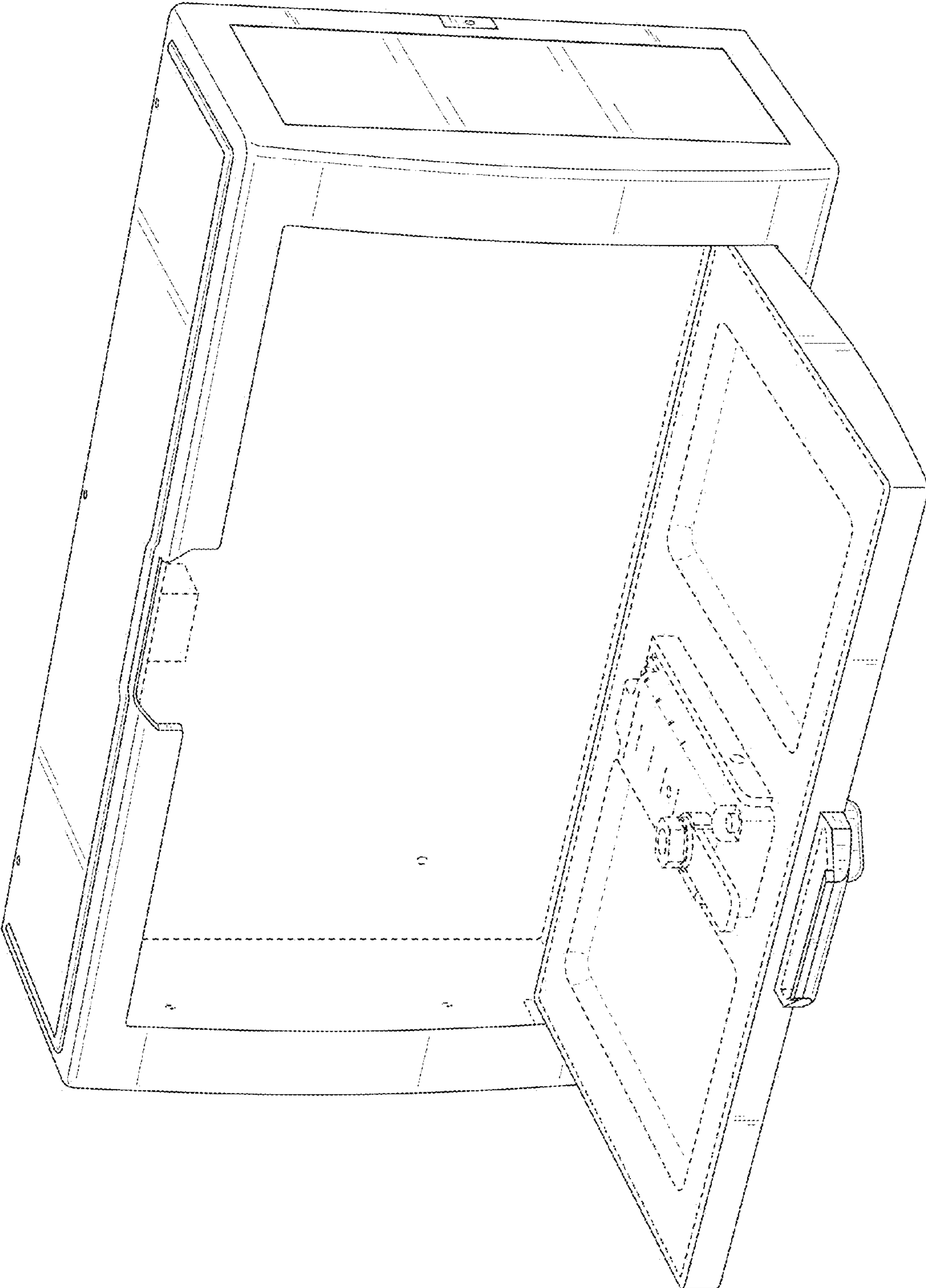


FIG. 8