



US00D719343S

(12) **United States Design Patent**
Ma

(10) **Patent No.:** **US D719,343 S**

(45) **Date of Patent:** **** Dec. 16, 2014**

(54) **UMBRELLA RUNNER**

3,145,720 A 8/1964 Torii
3,424,180 A 1/1969 Giancarlo
3,856,032 A 12/1974 Schafer
D265,498 S 7/1982 Paul

(76) Inventor: **Oliver Joen-an Ma**, Arcadia, CA (US)

(**) Term: **14 Years**

(Continued)

(21) Appl. No.: **29/425,494**

FOREIGN PATENT DOCUMENTS

(22) Filed: **Jun. 22, 2012**

CN 202190859 4/2012
DE 3820573 8/1989

(30) **Foreign Application Priority Data**

(Continued)

Jan. 16, 2012 (CN) 2012 3 0011965

Jan. 16, 2012 (CN) 2012 3 0011967

(51) **LOC (10) Cl.** **03-03**

(52) **U.S. Cl.**
USPC **D3/5; D3/10**

(58) **Field of Classification Search**
USPC D3/5, 10; 135/15.1, 33.2, 20.1
See application file for complete search history.

OTHER PUBLICATIONS

Operation Manual Easy Sun Parasol Sunshade (Issue: Jul. 2004) pp. 1-17.

Primary Examiner — John Windmuller
(74) *Attorney, Agent, or Firm* — Knobbe Martens Olson & Bear, LLP

(56) **References Cited**

(57) **CLAIM**

The ornamental design for an umbrella runner, as shown and described.

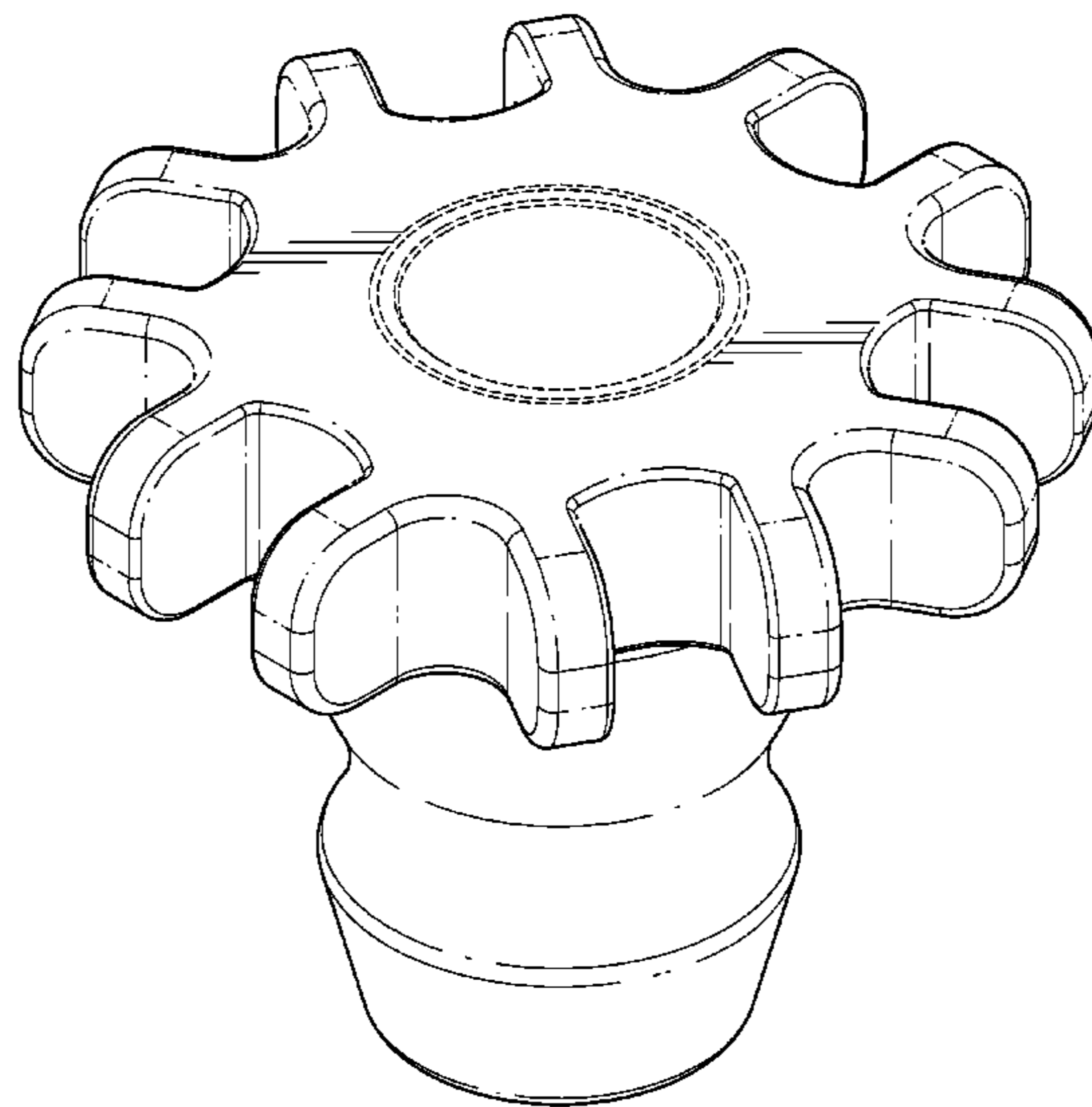
U.S. PATENT DOCUMENTS

- D33,847 S * 1/1901 Gaskill D3/10
- 878,270 A 2/1908 Blake et al.
- 956,657 A 5/1910 Wetteroth
- 957,528 A 5/1910 Wetteroth
- D45,227 S 2/1914 Glauber
- 1,136,887 A 4/1915 Penn
- 1,235,296 A 7/1917 Dillingham
- 1,243,594 A 10/1917 Dillingham
- 1,255,627 A 2/1918 Morrow et al.
- 1,268,354 A 6/1918 Howard
- D90,772 S 9/1933 Kasch
- D127,735 S 6/1941 Dreyfuss
- 2,447,972 A 8/1948 Weinert
- 2,475,406 A 7/1949 Russell
- D162,678 S 3/1951 Muller-Munk
- D167,619 S 9/1952 Coran
- 2,762,383 A 9/1956 Wittman
- 2,937,653 A 5/1960 Danciart et al.
- D190,597 S 6/1961 Nelson
- 3,120,238 A 2/1964 Glatz

DESCRIPTION

FIG. 1 is a perspective view of an umbrella runner showing my new design;
FIG. 2 is a front elevation view thereof, the rear elevation view being identical;
FIG. 3 is a right side elevation view thereof, the left side elevation view being identical;
FIG. 4 is a top plan view thereof;
FIG. 5 is a bottom plan view thereof; and,
FIG. 6 is a perspective view thereof in use in an umbrella.
The broken lines in FIGS. 1, 4, and 5 depict portions of the umbrella runner that form no part of the claimed design. The broken lines in FIG. 6 depict environment only and form no part of the claimed design.

1 Claim, 6 Drawing Sheets



(56)

References Cited

U.S. PATENT DOCUMENTS

4,368,749 A 1/1983 Lindler et al.
D276,838 S 12/1984 Hill et al.
4,586,525 A 5/1986 Glatz et al.
4,622,987 A 11/1986 Redl et al.
4,674,523 A 6/1987 Glatz
4,697,606 A * 10/1987 Ma 135/20.3
4,811,670 A 3/1989 Kolvites et al.
4,878,509 A 11/1989 Tung
5,002,081 A 3/1991 Stromeyer
5,029,596 A 7/1991 Tung
5,050,627 A 9/1991 Hengtzu
D321,779 S * 11/1991 Ma D3/10
5,275,186 A * 1/1994 Liu 135/24
D344,786 S 3/1994 Short et al.
5,349,975 A 9/1994 Valdner
5,357,994 A * 10/1994 Chung 135/22
D360,522 S * 7/1995 Ko D3/10
5,499,644 A 3/1996 Geniele
D372,854 S 8/1996 Jimenez
5,584,564 A 12/1996 Phyle
5,588,455 A 12/1996 Kuo
5,611,364 A 3/1997 Woods et al.
5,655,557 A 8/1997 Martin
5,740,823 A 4/1998 Lin et al.
5,785,069 A 7/1998 Glatz
D397,054 S 8/1998 Brantley et al.
D398,443 S 9/1998 Bolle
5,809,734 A 9/1998 Turner
D400,777 S 11/1998 Carsello
5,884,645 A 3/1999 Chen et al.
D408,621 S 4/1999 Kuo
5,899,210 A 5/1999 Letherby et al.
D410,862 S 6/1999 Mihov
5,937,882 A 8/1999 Harbaugh
6,014,980 A 1/2000 Glatz
D434,215 S 11/2000 Lin
D434,476 S 11/2000 Meda
6,145,523 A 11/2000 Lo
6,152,156 A 11/2000 Tung
D434,556 S 12/2000 Lin
6,192,907 B1 2/2001 Wu
6,220,261 B1 4/2001 Glatz
6,230,728 B1 5/2001 Reese
6,247,483 B1 6/2001 Tung
6,305,394 B1 10/2001 Reese
6,311,705 B1 11/2001 Ma
6,311,707 B1 11/2001 Wu et al.
6,314,976 B1 11/2001 Clarke
6,371,141 B1 4/2002 Lin et al.
6,371,686 B1 4/2002 Wu
6,386,214 B1 5/2002 Clarke
6,386,215 B1 5/2002 Chang
6,412,506 B1 7/2002 Reese
6,422,251 B1 7/2002 Tseng
6,478,037 B2 11/2002 Tung
6,571,813 B2 6/2003 Lin et al.
6,575,182 B2 6/2003 Tung
6,575,183 B2 6/2003 Tung
D477,458 S 7/2003 Goldwitz
6,588,438 B1 7/2003 Steiner
D478,416 S 8/2003 Clarke
6,619,306 B2 9/2003 Ma
6,662,815 B2 12/2003 Tung
6,732,753 B2 5/2004 Chang
6,758,229 B2 7/2004 Wang

D497,478 S 10/2004 Clarke
D497,479 S 10/2004 Yu
6,802,329 B2 * 10/2004 Chen 135/135
6,837,255 B2 1/2005 Bunch et al.
6,851,823 B2 2/2005 Bilotti
D503,035 S 3/2005 Ko
D503,272 S * 3/2005 Machin et al. D3/10
6,889,699 B2 5/2005 Clarke
6,941,960 B2 9/2005 Huang
7,000,624 B2 2/2006 Chang
D525,721 S 7/2006 Landes
7,082,953 B2 8/2006 Liu
7,089,950 B2 8/2006 Lin
D539,632 S 4/2007 Ma
7,293,573 B2 11/2007 Clarke
D558,444 S 1/2008 Ma
7,318,444 B2 1/2008 Clarke
7,328,715 B2 2/2008 Neubardt
7,546,845 B2 6/2009 Prusmack
7,665,477 B1 2/2010 Hathaway
7,686,024 B1 3/2010 Lai
7,703,464 B2 4/2010 Ma
D626,324 S * 11/2010 Ma D3/10
D631,243 S * 1/2011 Forthuber et al. D3/10
7,861,734 B2 1/2011 Ma
7,891,367 B2 2/2011 Ma
7,900,643 B2 3/2011 Ma
7,913,708 B2 3/2011 Yung
D644,832 S * 9/2011 Patzak D3/10
8,061,375 B2 11/2011 Ma
8,082,935 B2 12/2011 Ma
8,096,310 B2 1/2012 Clarke
8,136,541 B2 * 3/2012 Beaulieu 135/28
2002/0083969 A1 7/2002 Tung
2002/0139405 A1 10/2002 Lee
2003/0015230 A1 1/2003 Glatz
2004/0031513 A1 2/2004 Bunch et al.
2004/0055627 A1 3/2004 Moga
2004/0055628 A1 3/2004 Yu
2004/0069333 A1 4/2004 Ma
2004/0154525 A1 8/2004 Wirth et al.
2004/0182429 A1 9/2004 Chen
2004/0206382 A1 10/2004 Clarke
2004/0206383 A1 10/2004 Clarke
2005/0098200 A1 5/2005 Su
2005/0194027 A1 * 9/2005 Ko 135/39
2006/0005867 A1 1/2006 Chang
2006/0124161 A1 * 6/2006 Lee 135/28
2006/0151019 A1 7/2006 Lo
2007/0283988 A1 * 12/2007 Ma 135/28
2008/0202570 A1 * 8/2008 Clarke 135/28
2010/0139724 A1 6/2010 Lai
2010/0139725 A1 6/2010 Lai
2011/0061694 A1 3/2011 Vanderminden, Sr.
2011/0132418 A1 6/2011 Ma
2011/0209732 A1 9/2011 Ma
2011/0214705 A1 9/2011 Ma
2011/0277800 A1 11/2011 Tung

FOREIGN PATENT DOCUMENTS

FR 2672781 A3 8/1992
JP 2006-110317 A 4/2006
JP 2007-222591 9/2007
JP 2008-142310 6/2008
WO WO 2005/058089 6/2005

* cited by examiner

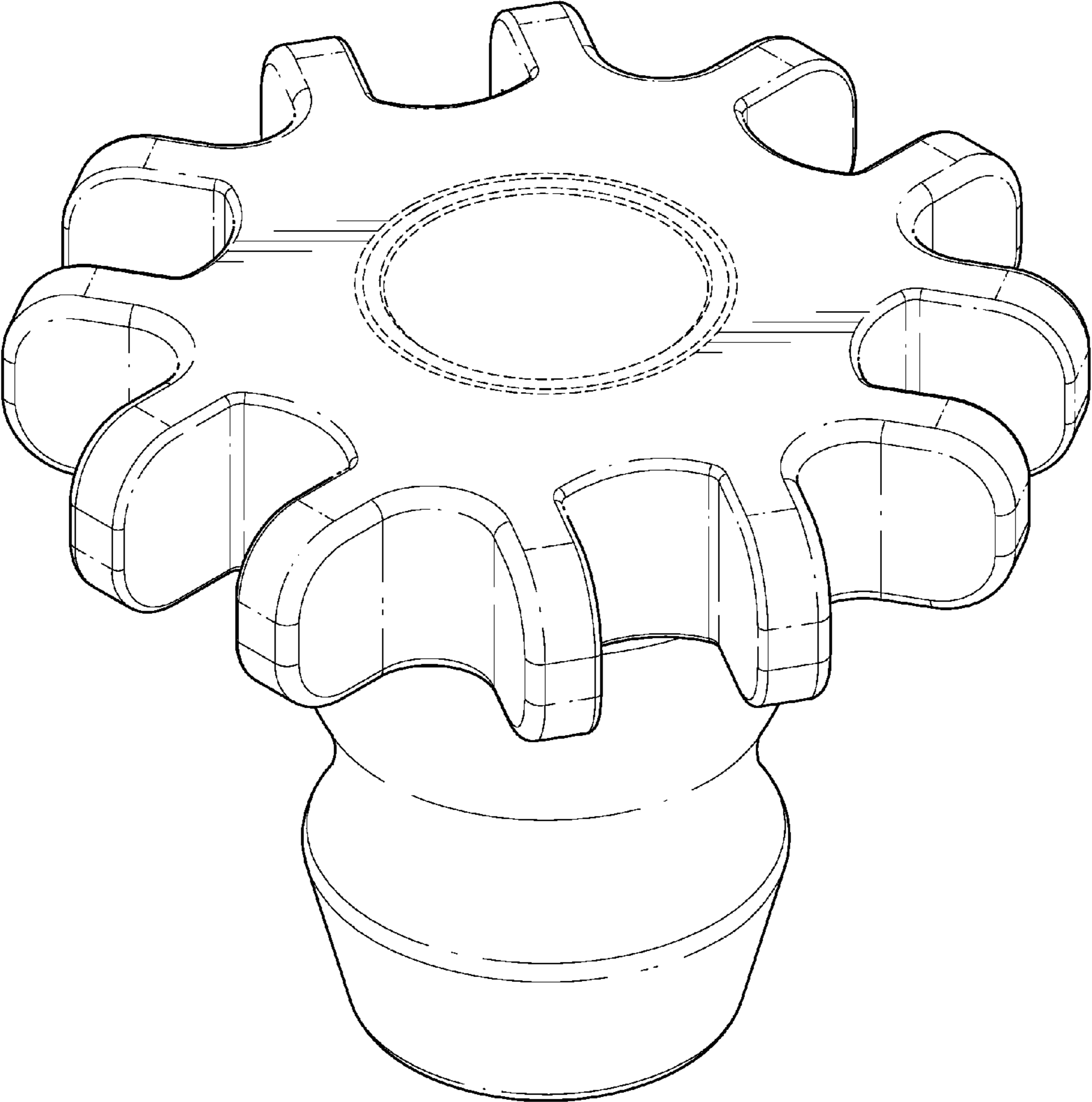


FIG. 1

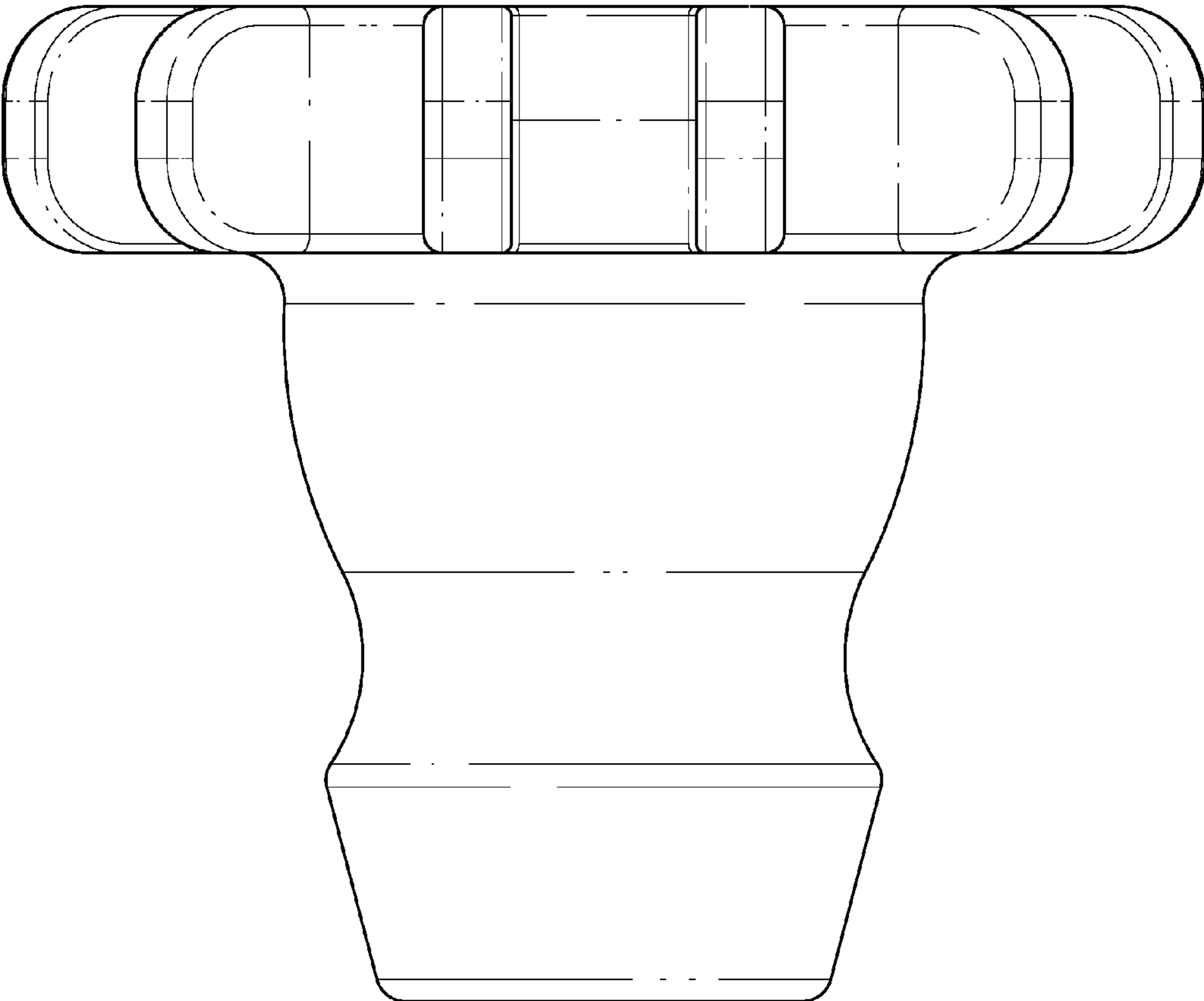


FIG. 2

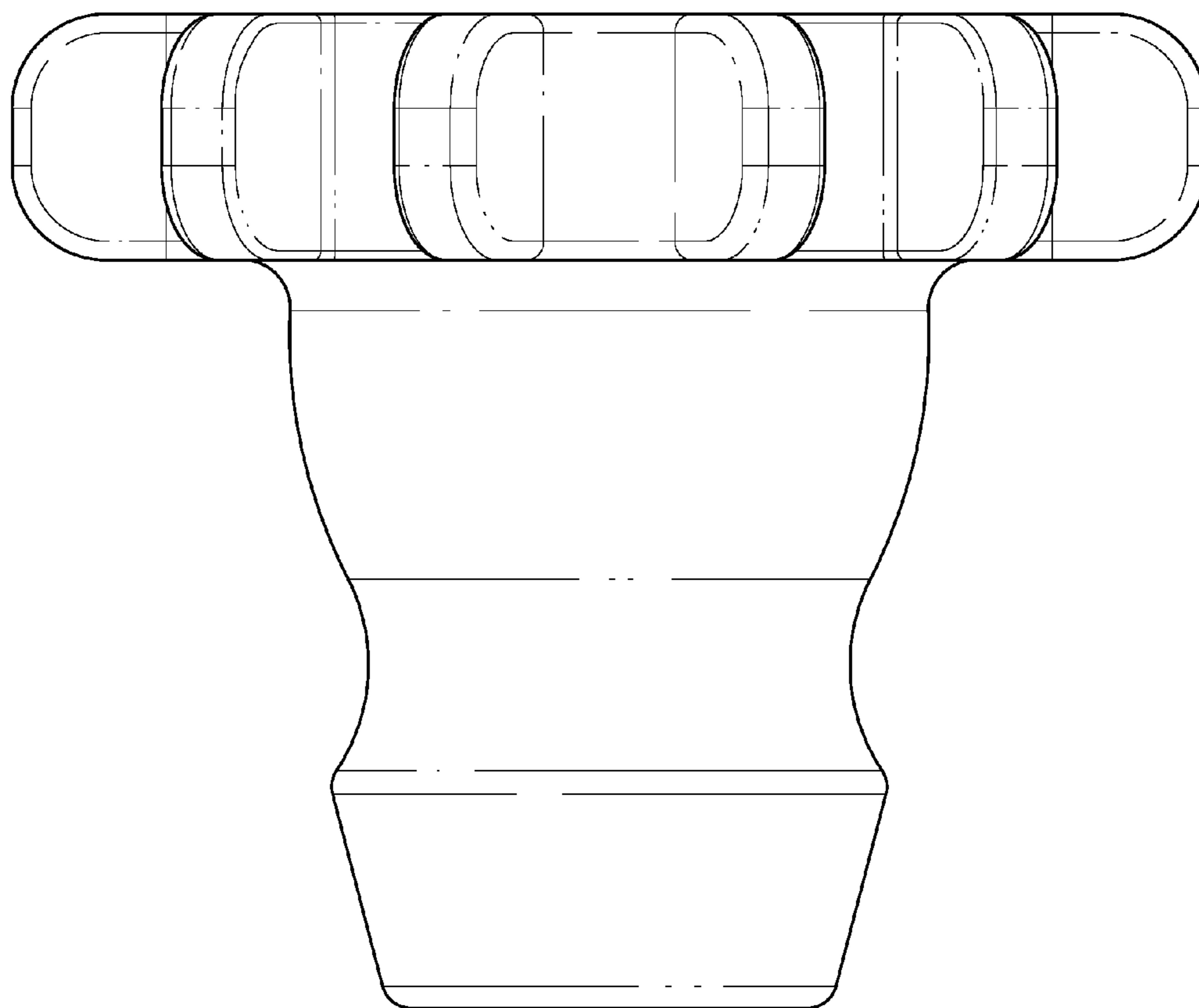


FIG. 3

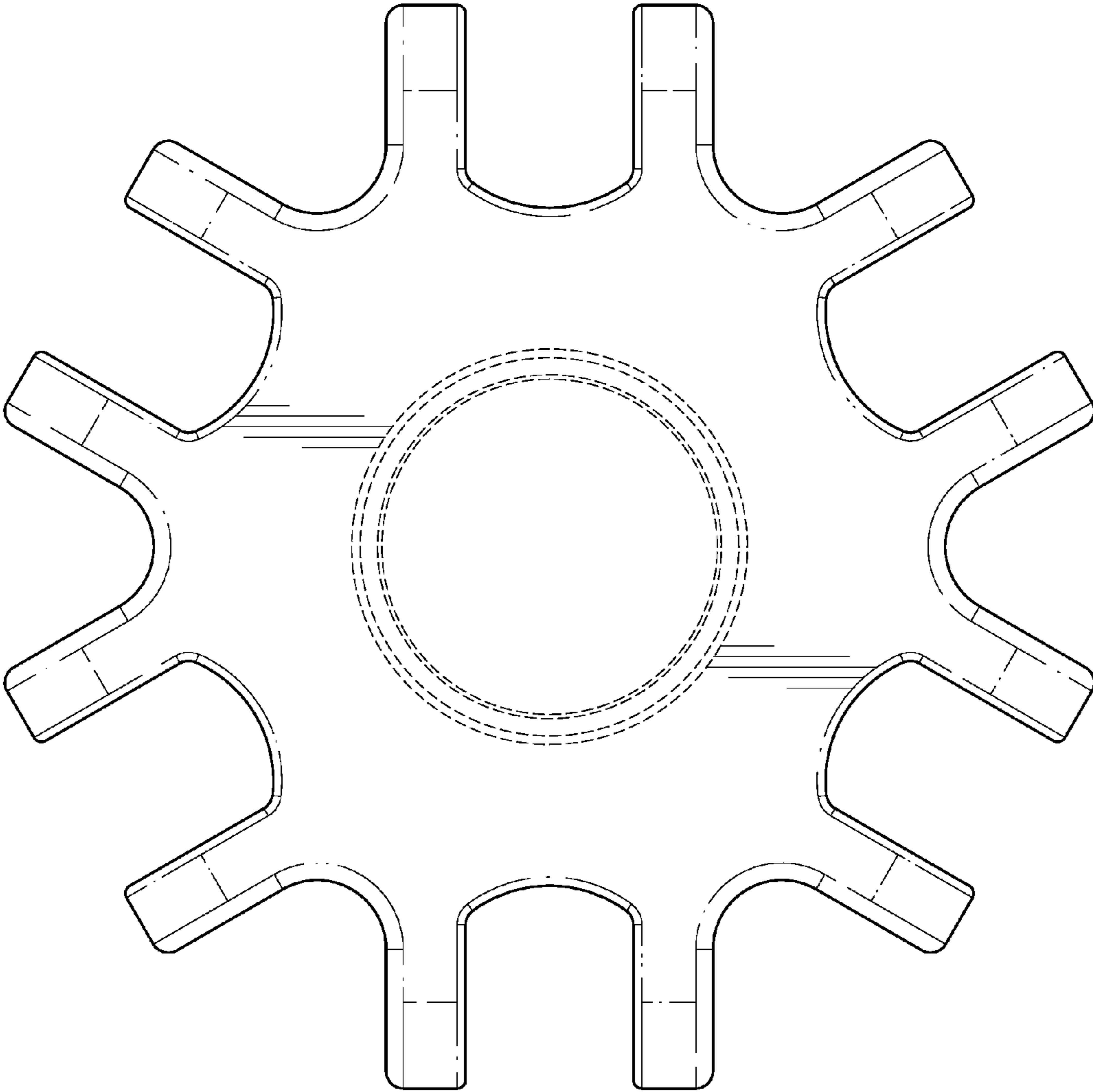


FIG. 4

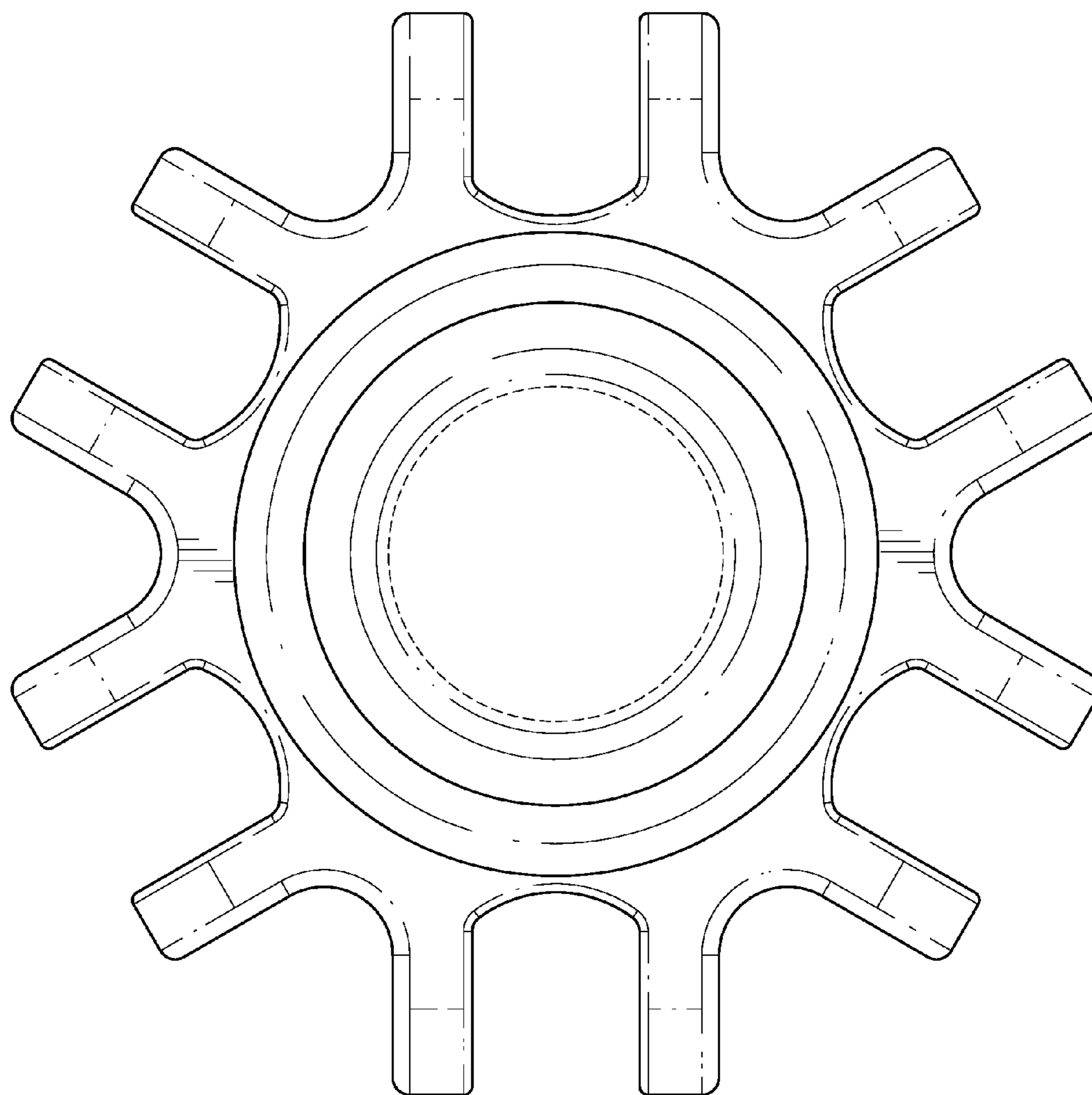


FIG. 5

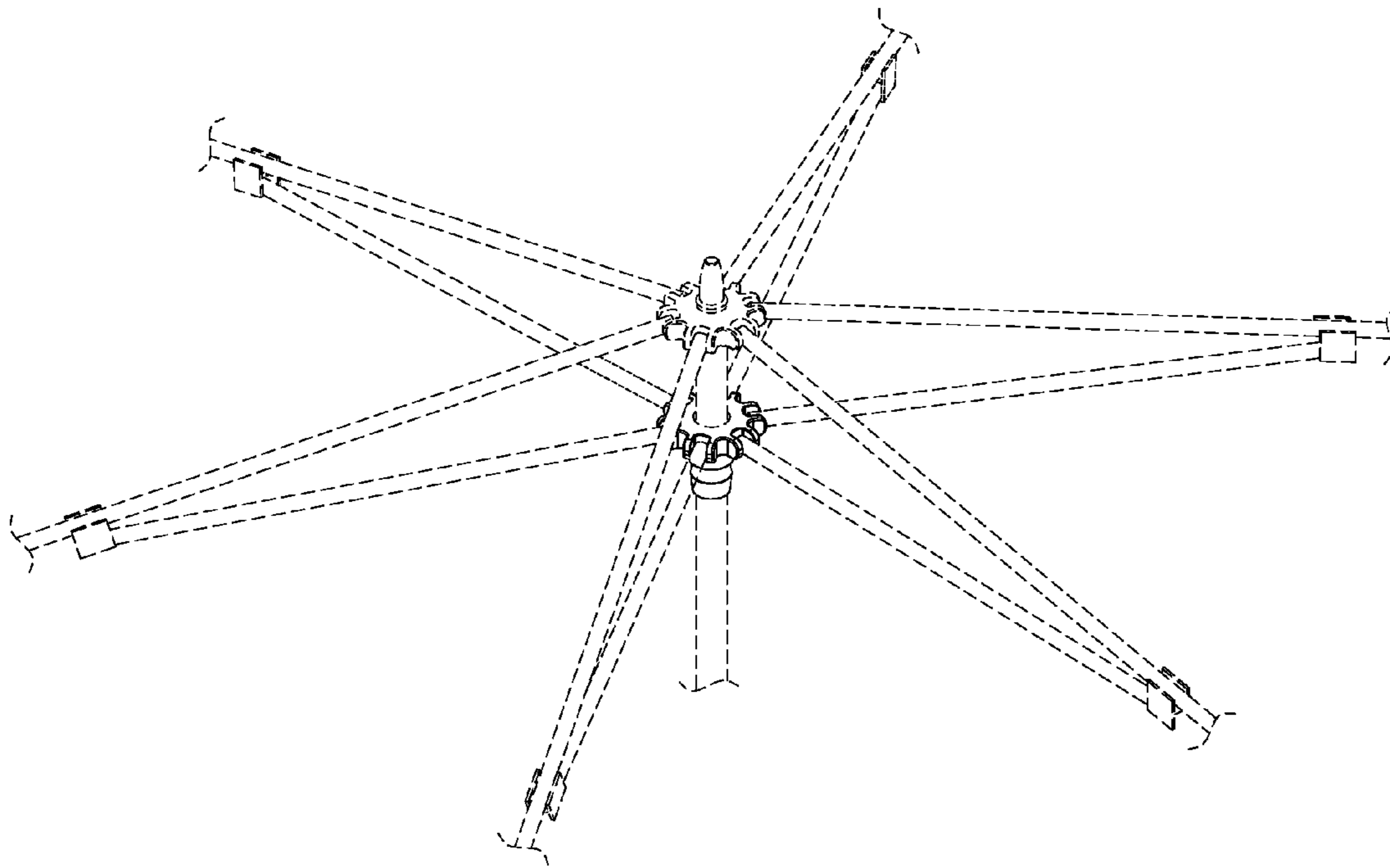


FIG. 6