



US00D719323S

(12) **United States Design Patent**  
**Santos**

(10) **Patent No.:** **US D719,323 S**

(45) **Date of Patent:** **\*\* Dec. 16, 2014**

(54) **FOOTWEAR**

(75) Inventor: **Katherine Santos**, Lyons, CO (US)

(73) Assignee: **Crocs, Inc.**, Niwot, CO (US)

(\*\*) Term: **14 Years**

(21) Appl. No.: **29/422,027**

(22) Filed: **May 15, 2012**

(51) **LOC (10) Cl.** ..... **02-04**

(52) **U.S. Cl.**  
USPC ..... **D2/916; D2/923; D2/939; D2/940**

(58) **Field of Classification Search**  
USPC ..... D2/896, 909–913, 925–942, 946, 969,  
D2/970, 971, 916–91; 36/1, 7.5–7.83, 8,  
36/8.1, 11.5, 45–58, 104, 108  
See application file for complete search history.

(56) **References Cited**

**U.S. PATENT DOCUMENTS**

D83,711 S \* 3/1931 Wolfelt ..... D2/933  
D93,709 S \* 10/1934 Elkin ..... D2/931  
D93,758 S \* 11/1934 Benjamin ..... D2/940

D161,457 S \* 1/1951 Joyce ..... D2/916  
D545,037 S \* 6/2007 Shaffer ..... D2/969  
D672,121 S \* 12/2012 Beckett ..... D2/916  
D672,122 S \* 12/2012 Beckett ..... D2/916

\* cited by examiner

*Primary Examiner* — Dominic Simone

(74) *Attorney, Agent, or Firm* — Faegre Baker Daniels LLP

(57) **CLAIM**

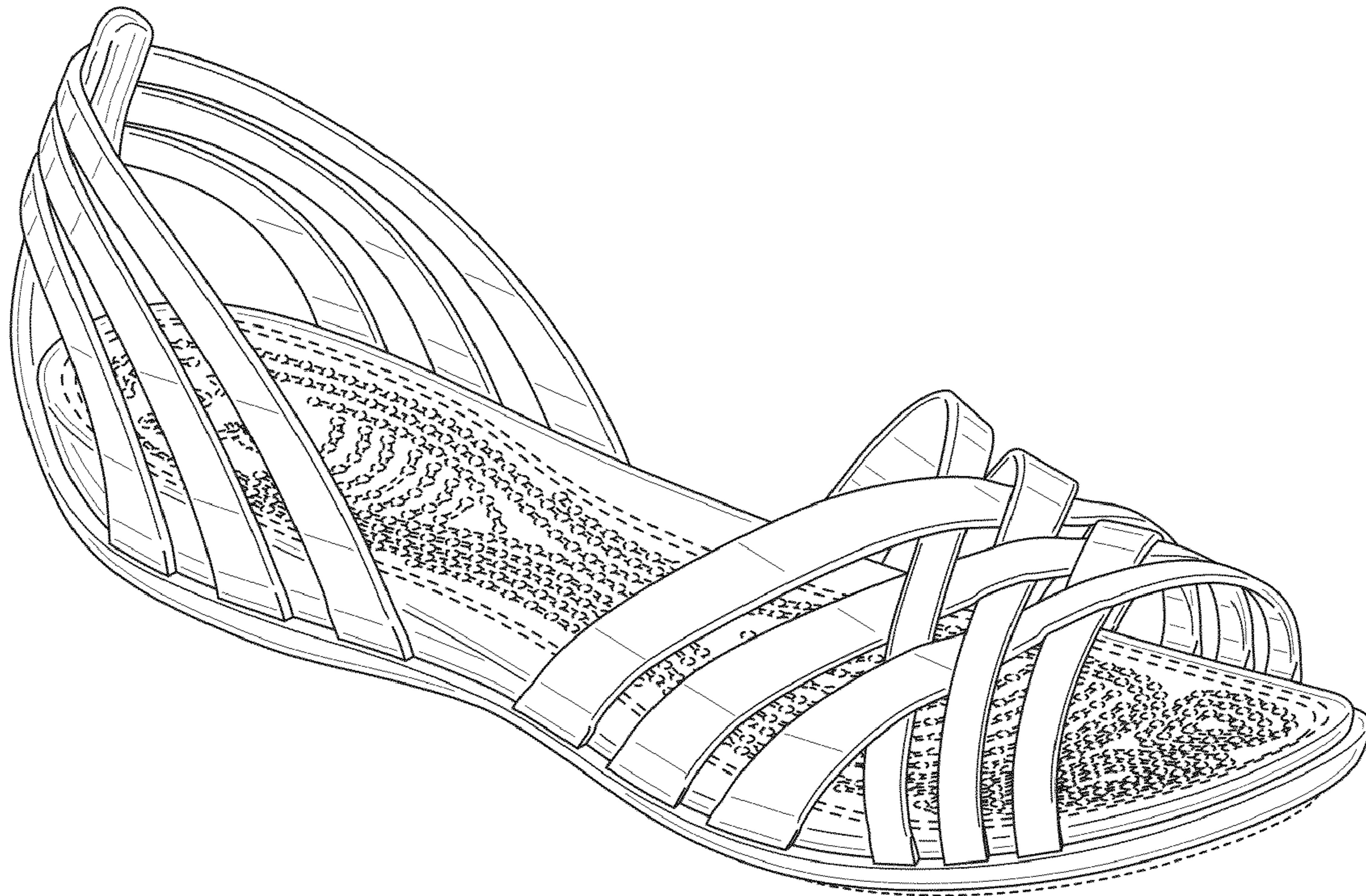
The ornamental design for footwear, as shown and described.

**DESCRIPTION**

FIG. 1 is a front perspective view;  
FIG. 2 is a front view;  
FIG. 3 is a back view;  
FIG. 4 is an inner side view;  
FIG. 5 is an outer side view;  
FIG. 6 is a top view; and,  
FIG. 7 is a bottom view.

The portions of the design shown in broken lines are for illustrative purposes only and form no part of the claimed design.

**1 Claim, 6 Drawing Sheets**



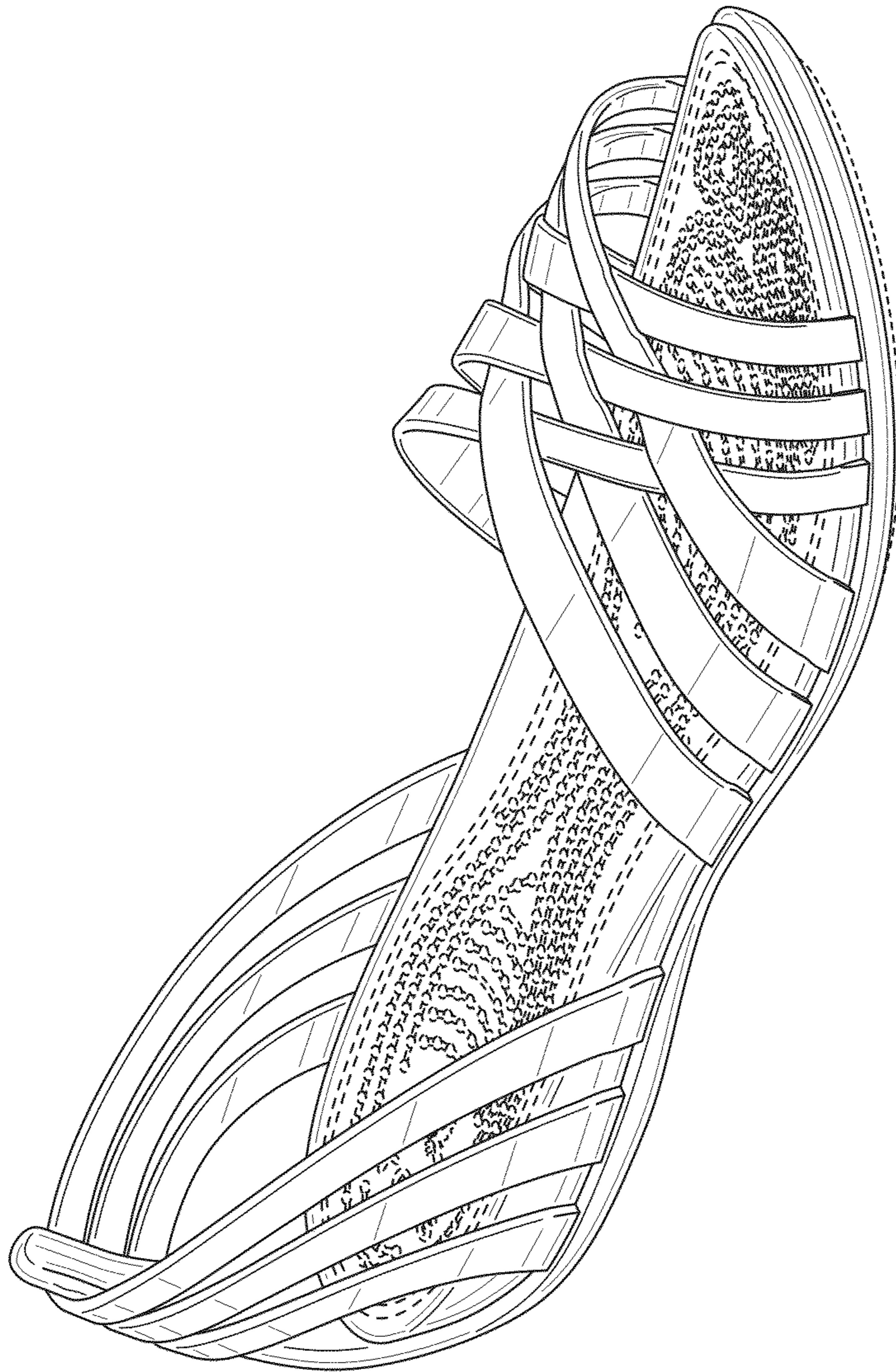


FIG. 1

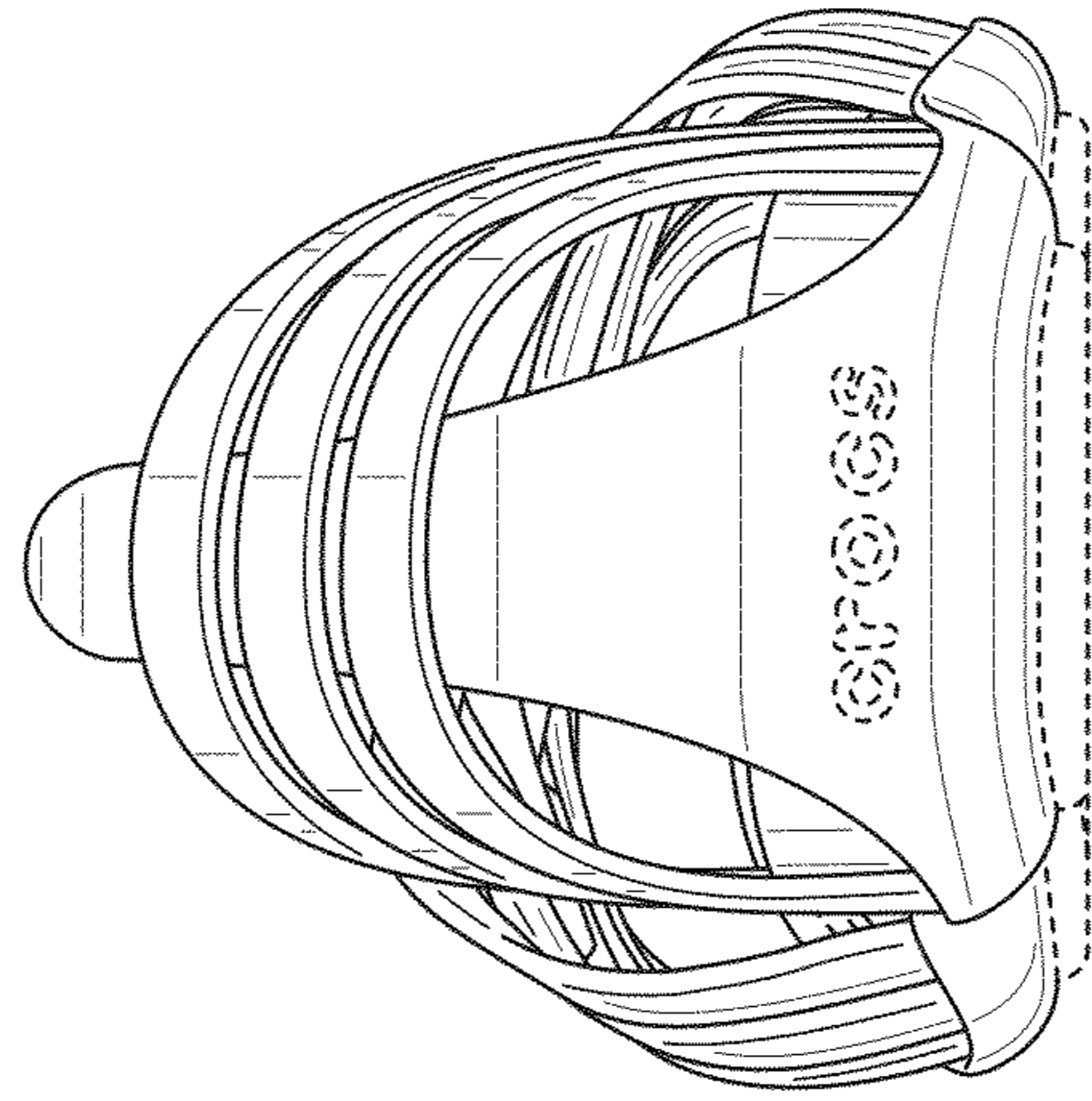


FIG. 3

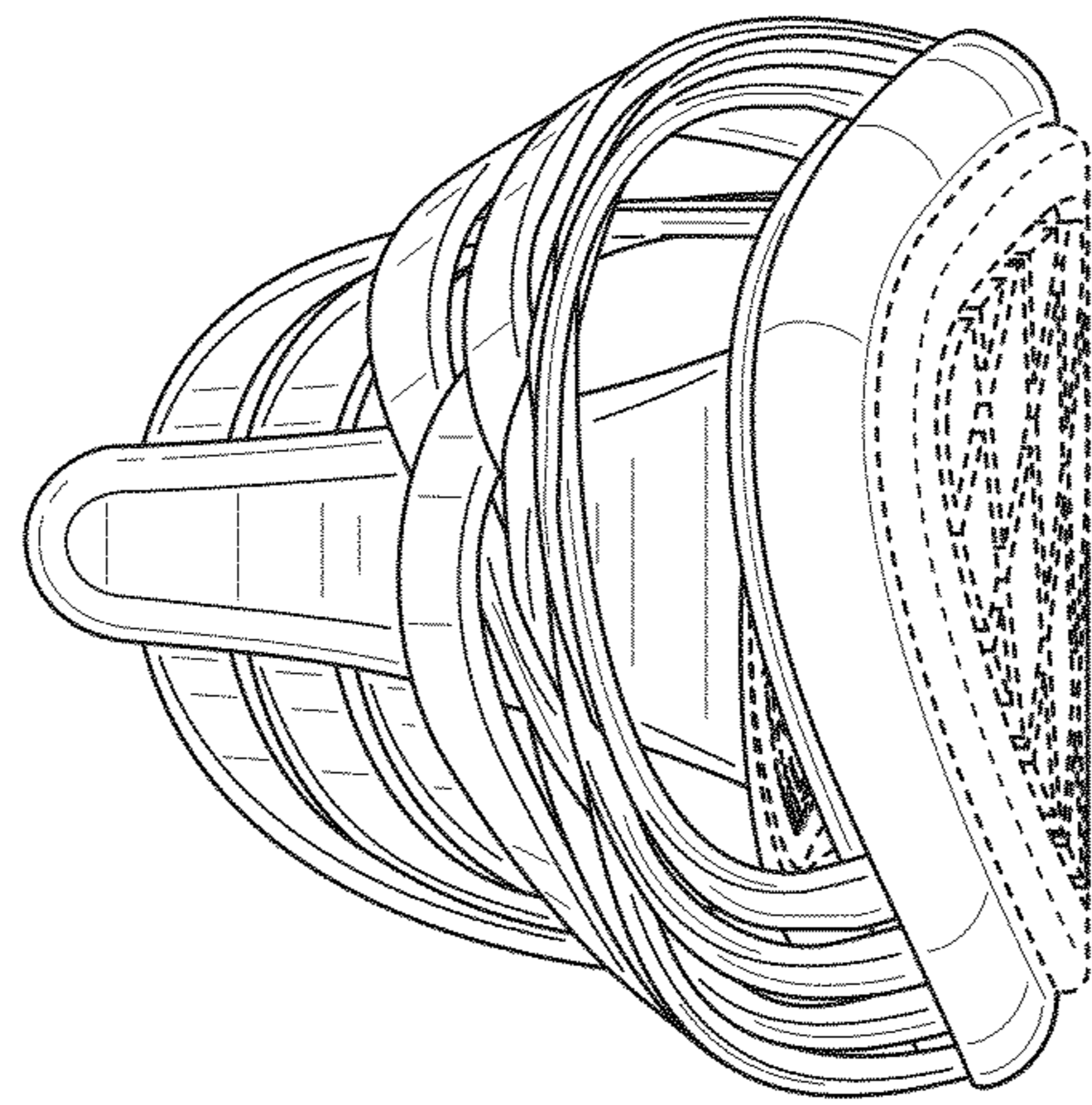


FIG. 2

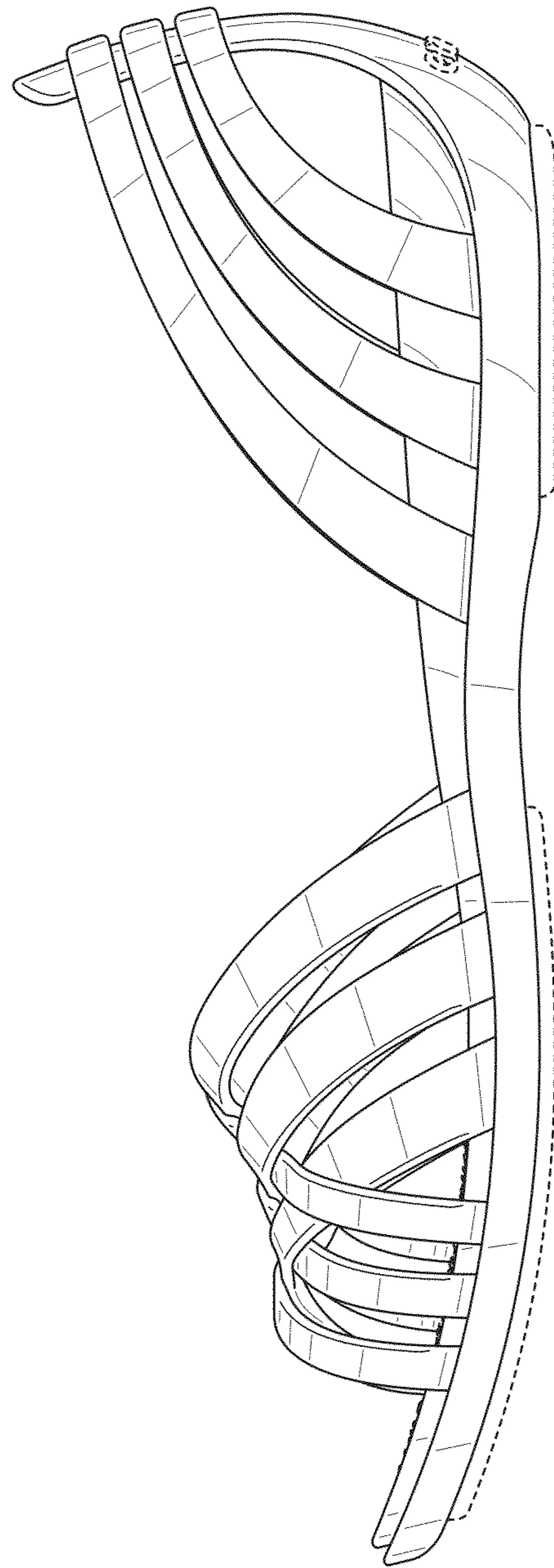


FIG. 4



FIG. 5

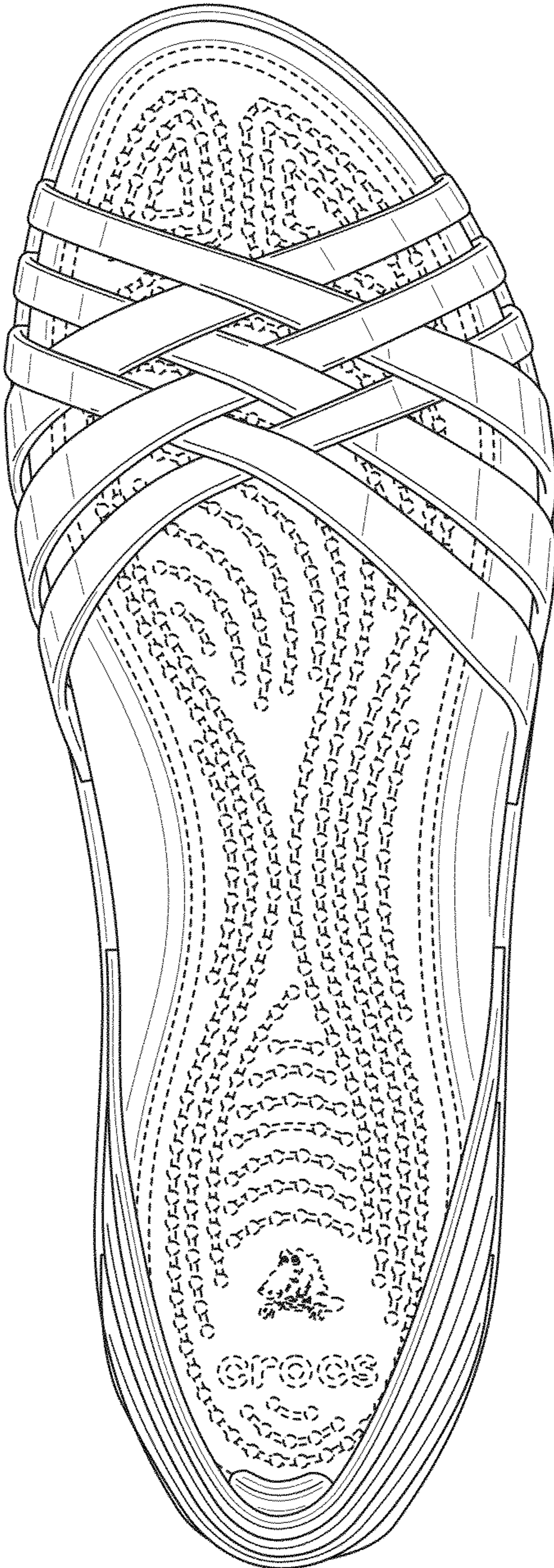


FIG. 6

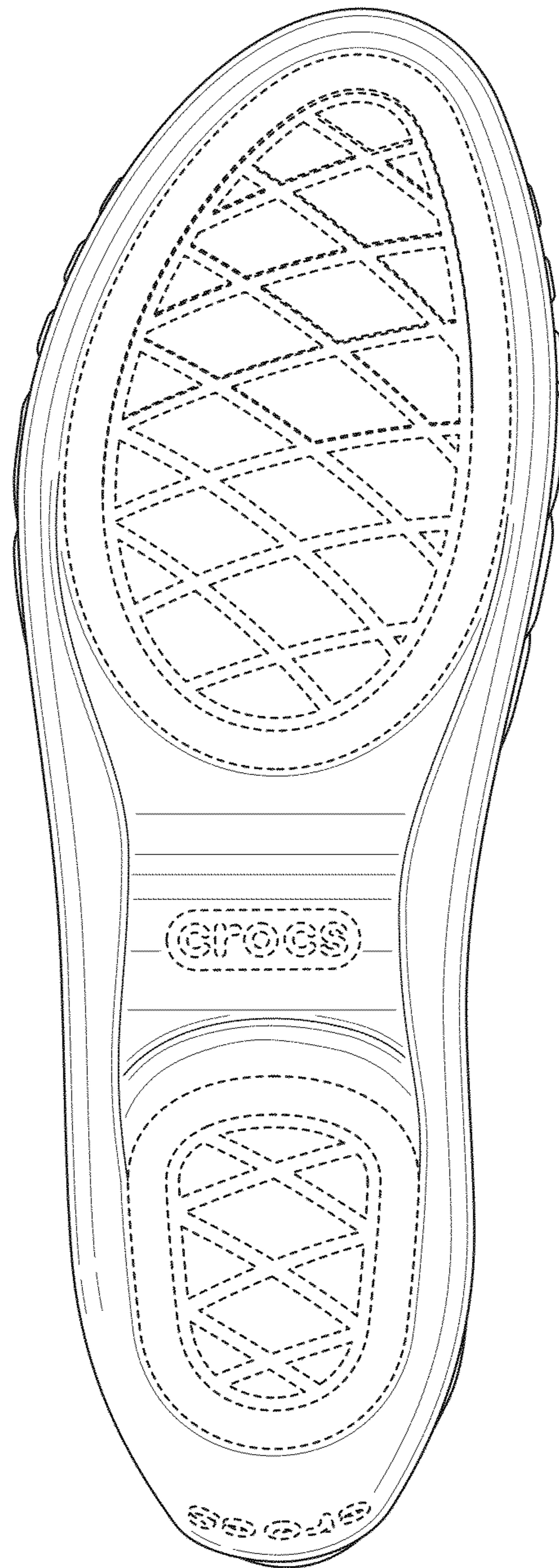


FIG. 7