

US00D719317S

(12) **United States Design Patent**
Blasco

(10) **Patent No.:** **US D719,317 S**

(45) **Date of Patent:** **** Dec. 16, 2014**

(54) **DECORATIVE ATTACHMENT**

(71) Applicant: **Tania Jane Blasco**, Arabian Ranches
(AE)

(72) Inventor: **Tania Jane Blasco**, Arabian Ranches
(AE)

(**) Term: **14 Years**

(21) Appl. No.: **29/443,124**

(22) Filed: **Jan. 14, 2013**

(51) **LOC (10) Cl.** **02-07**

(52) **U.S. Cl.**
USPC **D2/639**

(58) **Field of Classification Search**

CPC A44C 1/00; A44C 15/001; A44C 15/0025;
A44C 15/003
USPC D11/1, 87, 8, 79-86, 200, 201, 93, 94,
D11/2, 214, 202, 210, 208; 63/3, 3.1, 3.2,
63/21, 22, 23, 4, 5.1; D2/627, 628, 629,
D2/633, 634, 635, 639, 640; D3/211;
2/313, 314, 312, 316, 315, 320, 336,
2/271, 249

See application file for complete search history.

(56) **References Cited**

U.S. PATENT DOCUMENTS

D63,997 S * 2/1924 Guyot D11/86
1,673,770 A * 6/1928 Guyot 63/26
D98,691 S * 2/1936 Putnam D11/208
D98,707 S * 2/1936 Anderson D11/81
2,047,432 A * 7/1936 Roedelheimer et al. 24/265 R
D100,665 S * 8/1936 Kelley D11/8
D107,232 S * 11/1937 Holler D11/81

D121,456 S * 7/1940 Masters D2/633
D121,956 S * 8/1940 Holstein D2/631
D127,880 S * 6/1941 Chernow D11/86
D175,430 S * 8/1955 McNickle D2/633
D294,658 S * 3/1988 Davenport, Sr. D2/633
D673,873 S * 1/2013 Small D11/79
2010/0050689 A1 * 3/2010 Hurwitz 63/1.12

OTHER PUBLICATIONS

[Online] http://photos-a.ak.fbcdn.net/hphotos-ak-xpa1/t1.0-0/p200x200/10523966_429337543873273_2630140874402108505_n.jpg. Retrieved Jul. 24, 2014.*

[Online] http://ancientpoint.com/imgs/a/d/c/d/g/a_vintage_sterling_silver_belt_buckle_925_silver_by_dbp_ca1930_excel-lent_3_lgw.jpg. Retrieved Jul. 24, 2014.*

* cited by examiner

Primary Examiner — Cathron Brooks

Assistant Examiner — Melanie Pellegrini

(74) *Attorney, Agent, or Firm* — Weiner & Burt, P.C.; Irving M. Weiner; Pamela S. Burt

(57) **CLAIM**

The ornamental design for decorative attachment, as shown and described.

DESCRIPTION

FIG. 1 is a perspective view of decorative attachment showing my new design;

FIG. 2 is a top plan view thereof;

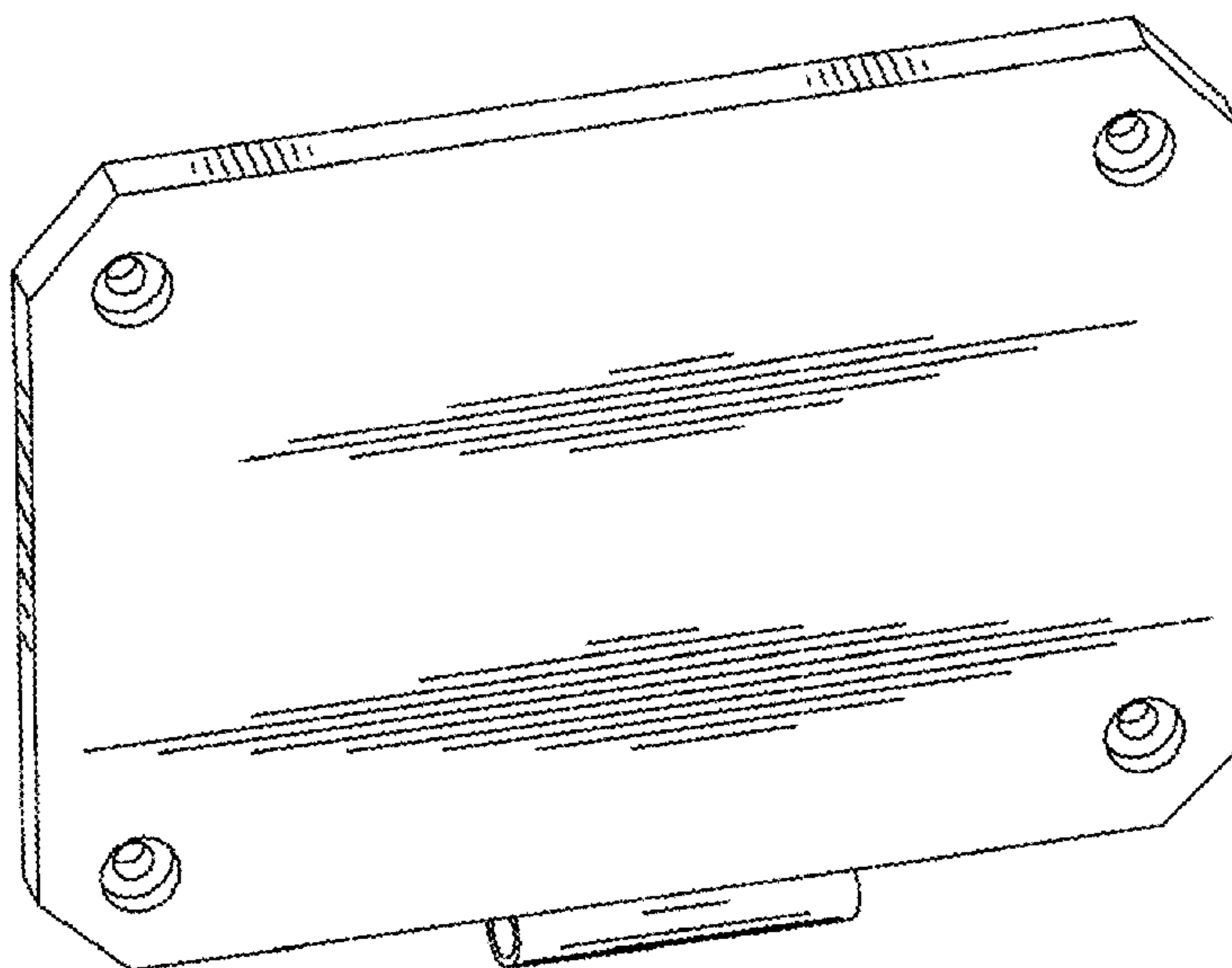
FIG. 3 is a bottom view thereof;

FIG. 4 is a left side elevational view thereof which is identical to a right side elevational view thereof;

FIG. 5 is a front elevational view thereof; and,

FIG. 6 is a rear elevational view thereof.

1 Claim, 2 Drawing Sheets



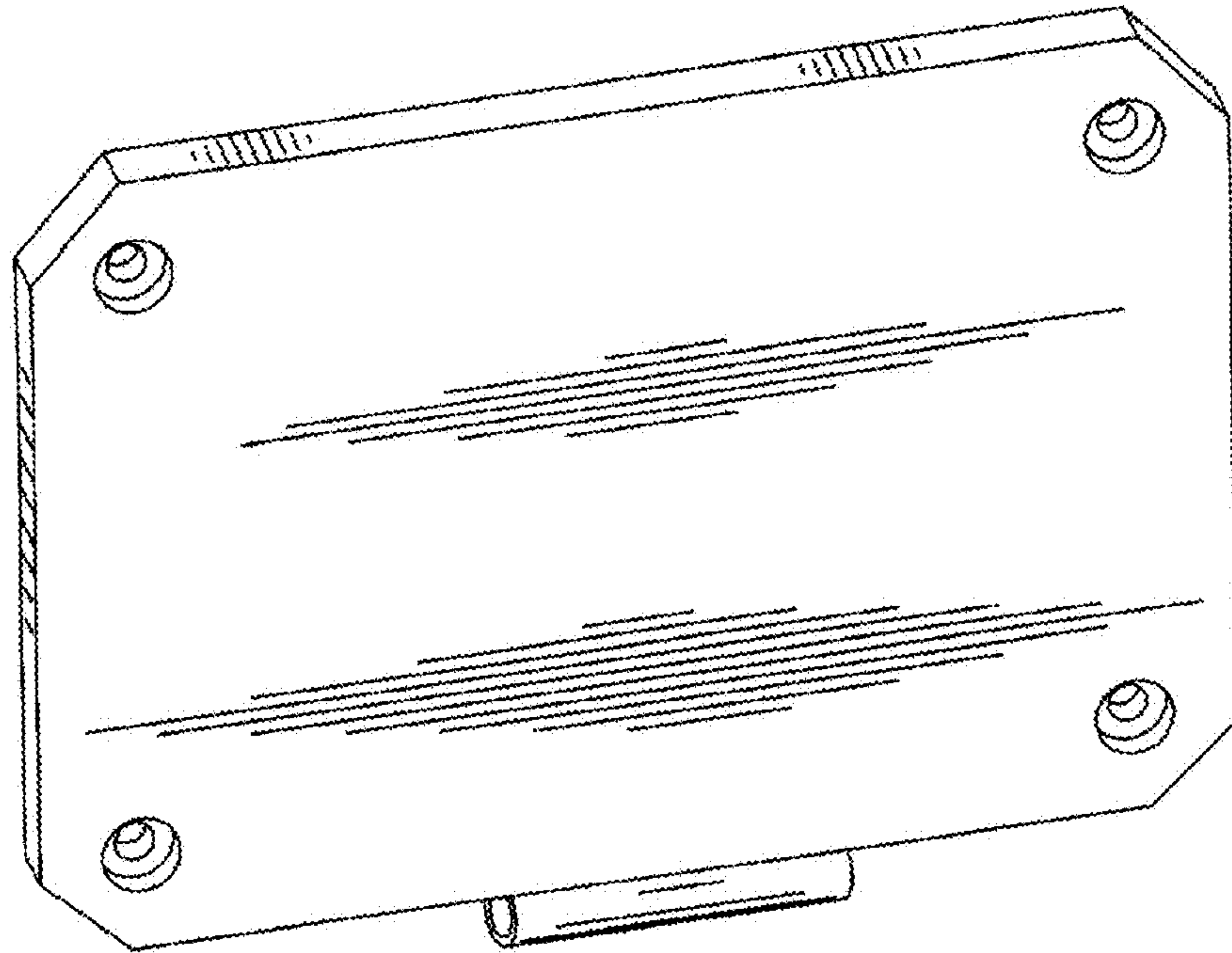


FIG 1

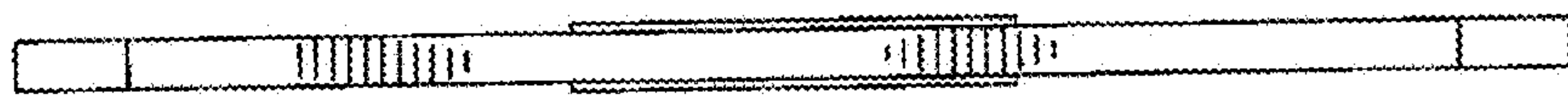


FIG 2

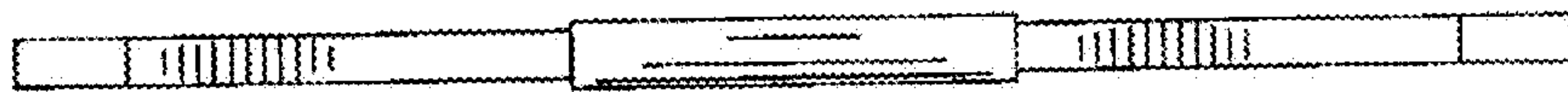


FIG 3



FIG 4

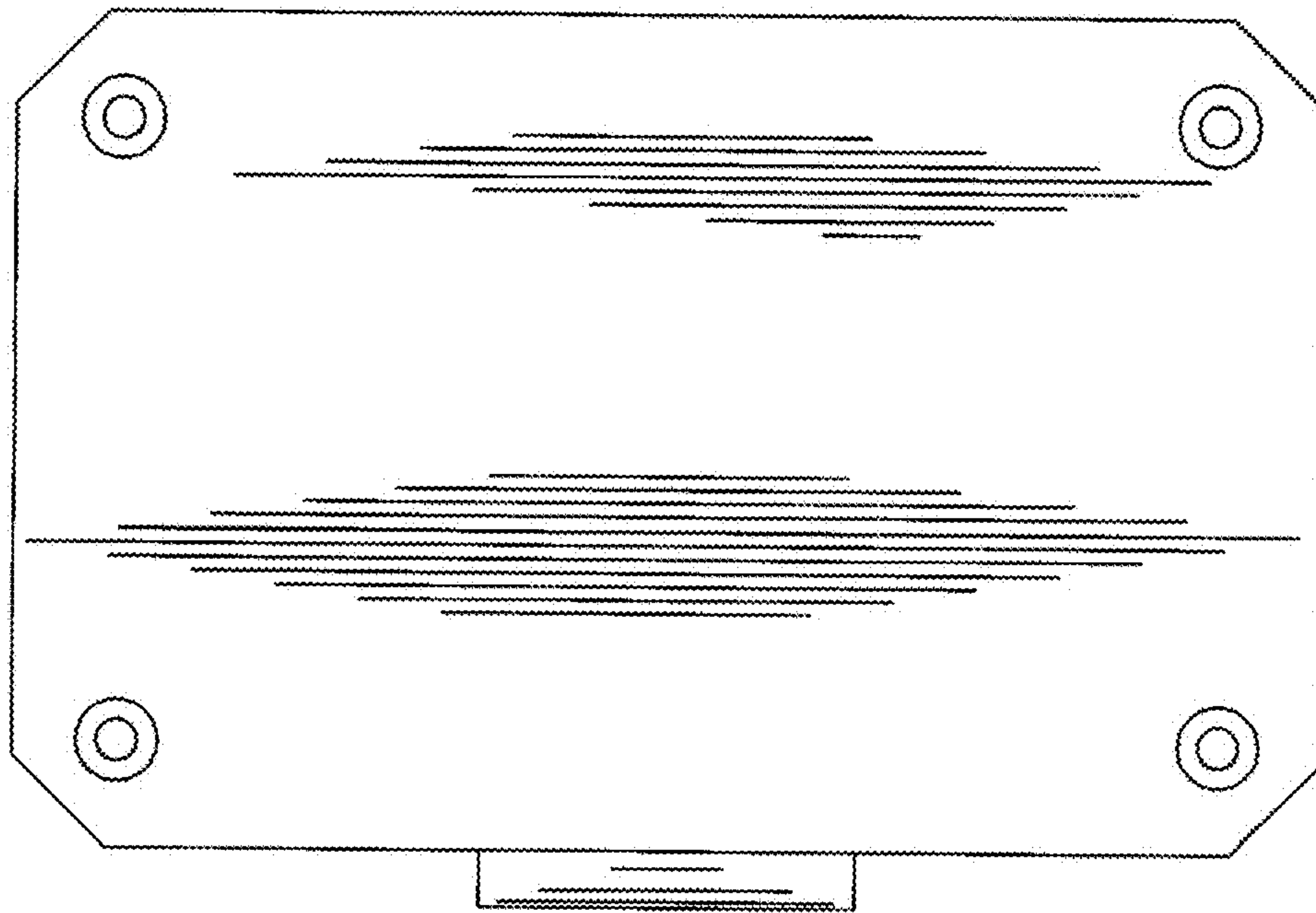


FIG 5

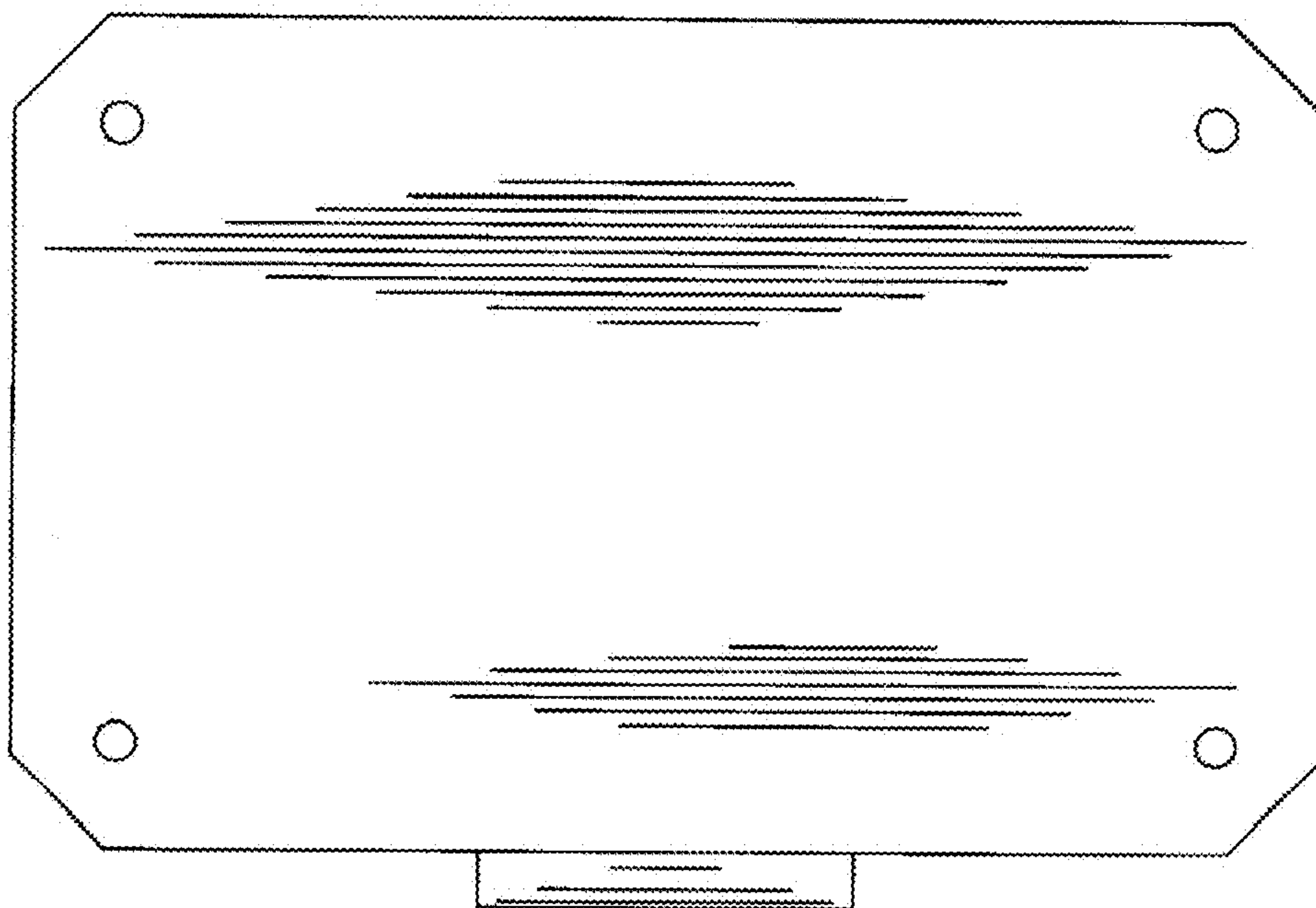


FIG 6