



US00D719315S

(12) **United States Design Patent**
Berger

(10) **Patent No.:** **US D719,315 S**
(45) **Date of Patent:** **** Dec. 9, 2014**

- (54) **SAFE**
- (71) Applicant: **David Berger**, Toronto (CA)
- (72) Inventor: **David Berger**, Toronto (CA)
- (**) Term: **14 Years**

8,451,088	B2	5/2013	Fisher
2003/0011466	A1	1/2003	Samuel et al.
2006/0101877	A1	5/2006	Orum et al.
2006/0124157	A1	6/2006	Bayour
2009/0254439	A1	10/2009	Dunn
2010/0275642	A1	11/2010	Klettner
2011/0187530	A1	8/2011	Sterzinger et al.

(Continued)

- (21) Appl. No.: **29/443,872**
- (22) Filed: **Jan. 23, 2013**
- (51) **LOC (10) Cl.** **99-00**
- (52) **U.S. Cl.**
USPC **D99/28**
- (58) **Field of Classification Search**
USPC D99/28, 34, 35, 36, 37, 43, 99; 109/1 R,
109/1 V, 2, 45; 902/9, 30; 206/0.8, 0.81,
206/0.815, 0.82, 0.83, 0.84
See application file for complete search history.

FOREIGN PATENT DOCUMENTS

CN	201412019	Y	2/2010
EP	1532333		2/2004

(Continued)

OTHER PUBLICATIONS

PCT, Notification of Transmittal of the International Search Report and The Written Opinion of the International Searching Authority, or the Declaration, in International Application No. PCT/CA2012/050888, dated Feb. 26, 2013. (9 pages).

Primary Examiner — Elizabeth J Oswecki

(74) *Attorney, Agent, or Firm* — McAndrews Held & Malloy, Ltd.

(56) **References Cited**

U.S. PATENT DOCUMENTS

1,123,227	A *	1/1915	Bodker	217/47
4,669,394	A *	6/1987	Fogleman et al.	109/59 T
D308,744	S *	6/1990	Arauchi	D99/28
5,713,546	A	2/1998	Auspos		
6,554,012	B2	4/2003	Patarra		
D498,895	S *	11/2004	Lynch et al.	D99/28
6,886,360	B1	5/2005	Rosenbaum et al.		
D534,965	S *	1/2007	Chung	D21/519
7,155,924	B2	1/2007	Zuckerman et al.		
7,161,483	B2	1/2007	Chung		
7,249,799	B2	7/2007	Luce		
D557,875	S *	12/2007	Stuhlberg et al.	D99/28
D574,125	S *	7/2008	Gunst et al.	D99/34
7,486,188	B2	2/2009	Van Alstyne		
D617,525	S *	6/2010	Taylor et al.	D99/28
D617,974	S *	6/2010	Alfeld, Sr.	D99/28
D620,675	S *	7/2010	Doettling	D99/28
D624,275	S *	9/2010	Min	D99/28
7,908,977	B2	3/2011	Zak et al.		
D671,705	S *	11/2012	Edmondson	D99/28

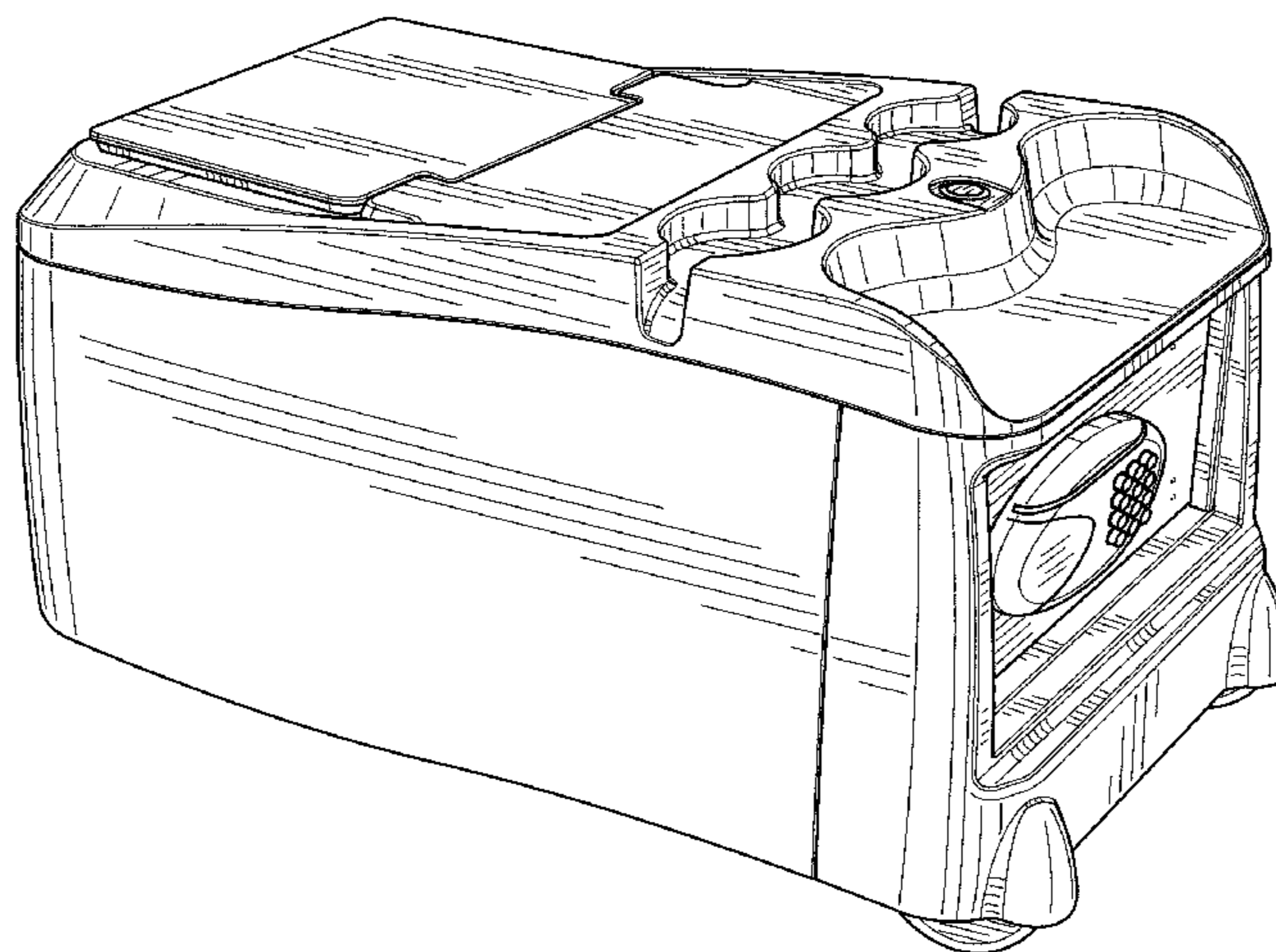
(57) **CLAIM**

The ornamental design for a safe, as shown and described.

DESCRIPTION

FIG. 1 is a front perspective view of a safe showing my new design;
 FIG. 2 is a rear perspective view thereof;
 FIG. 3 is a left side elevational view thereof;
 FIG. 4 is a front elevational view thereof;
 FIG. 5 is a rear elevational view thereof;
 FIG. 6 is a top plan view thereof; and,
 FIG. 7 is a bottom plan view thereof.
 All surfaces not shown form no part of the claimed invention.

1 Claim, 4 Drawing Sheets



(56)

References Cited

FOREIGN PATENT DOCUMENTS

U.S. PATENT DOCUMENTS

2012/0222589 A1 9/2012 Miyashita
2012/0298018 A1 11/2012 McCabe
2014/0041558 A1 2/2014 Lubotta

GB 2432185 A 5/2007
GB 2436827 A 11/2010
WO 01/25579 A2 4/2001

* cited by examiner

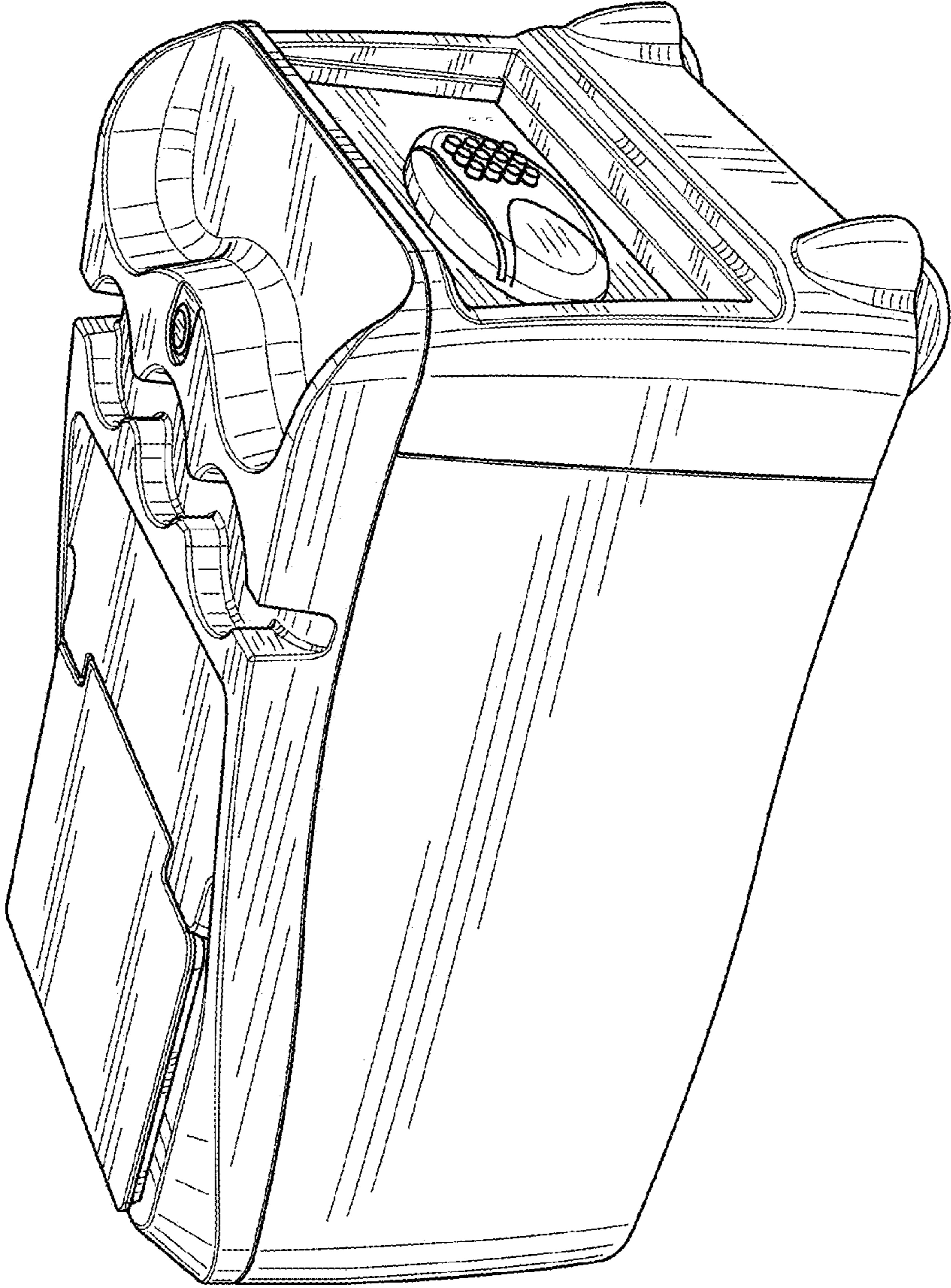


FIG. 1

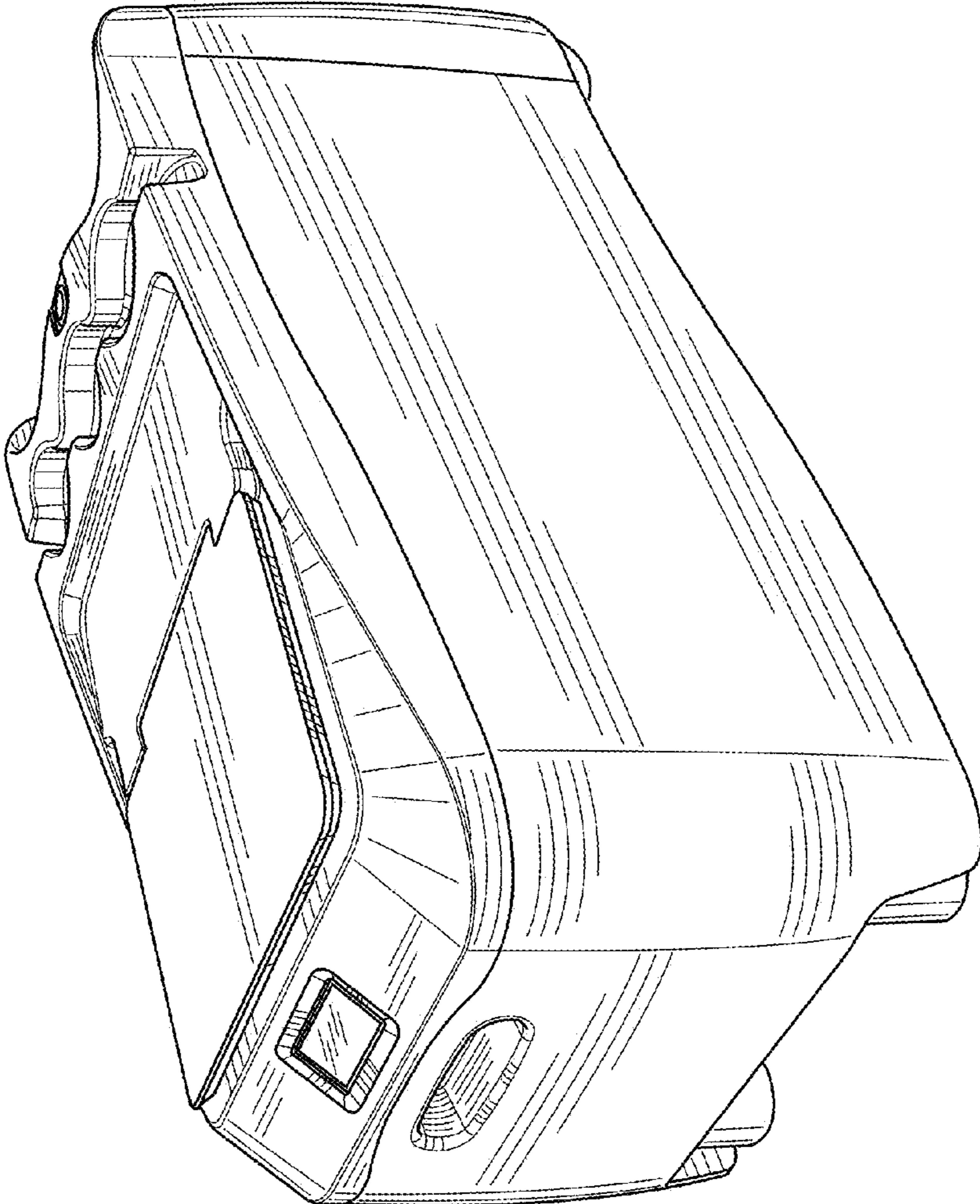


FIG. 2

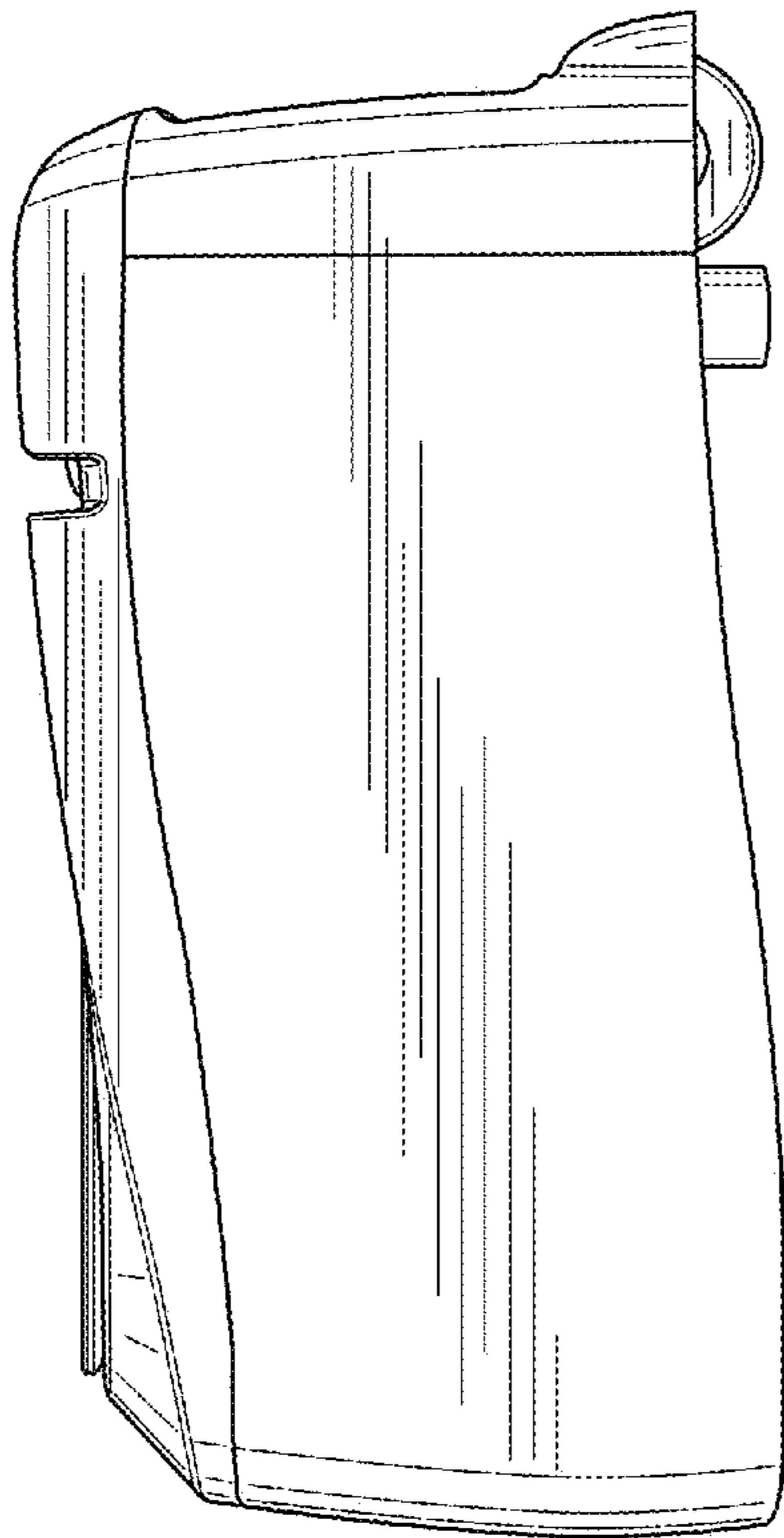


FIG. 3

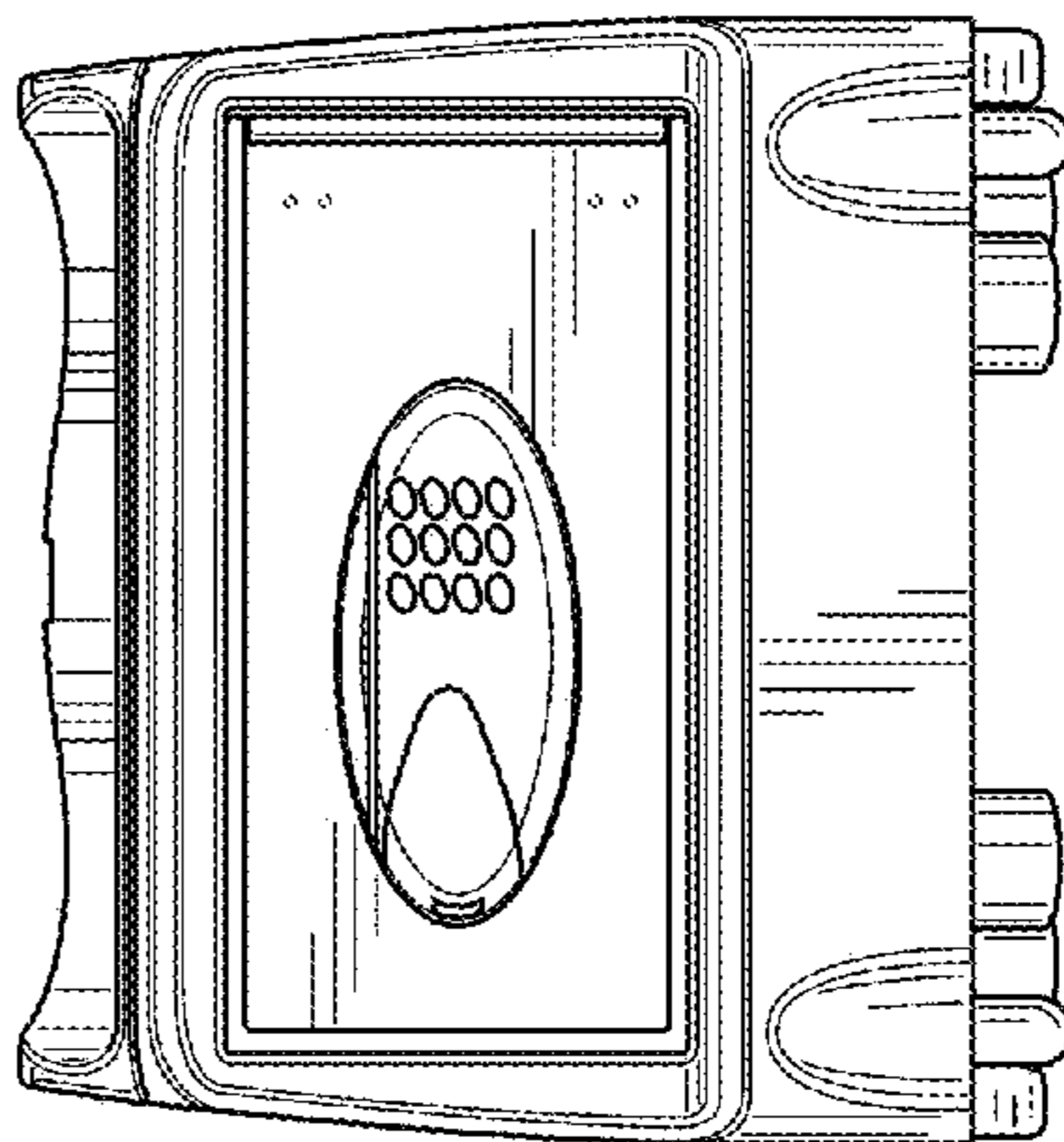


FIG. 4

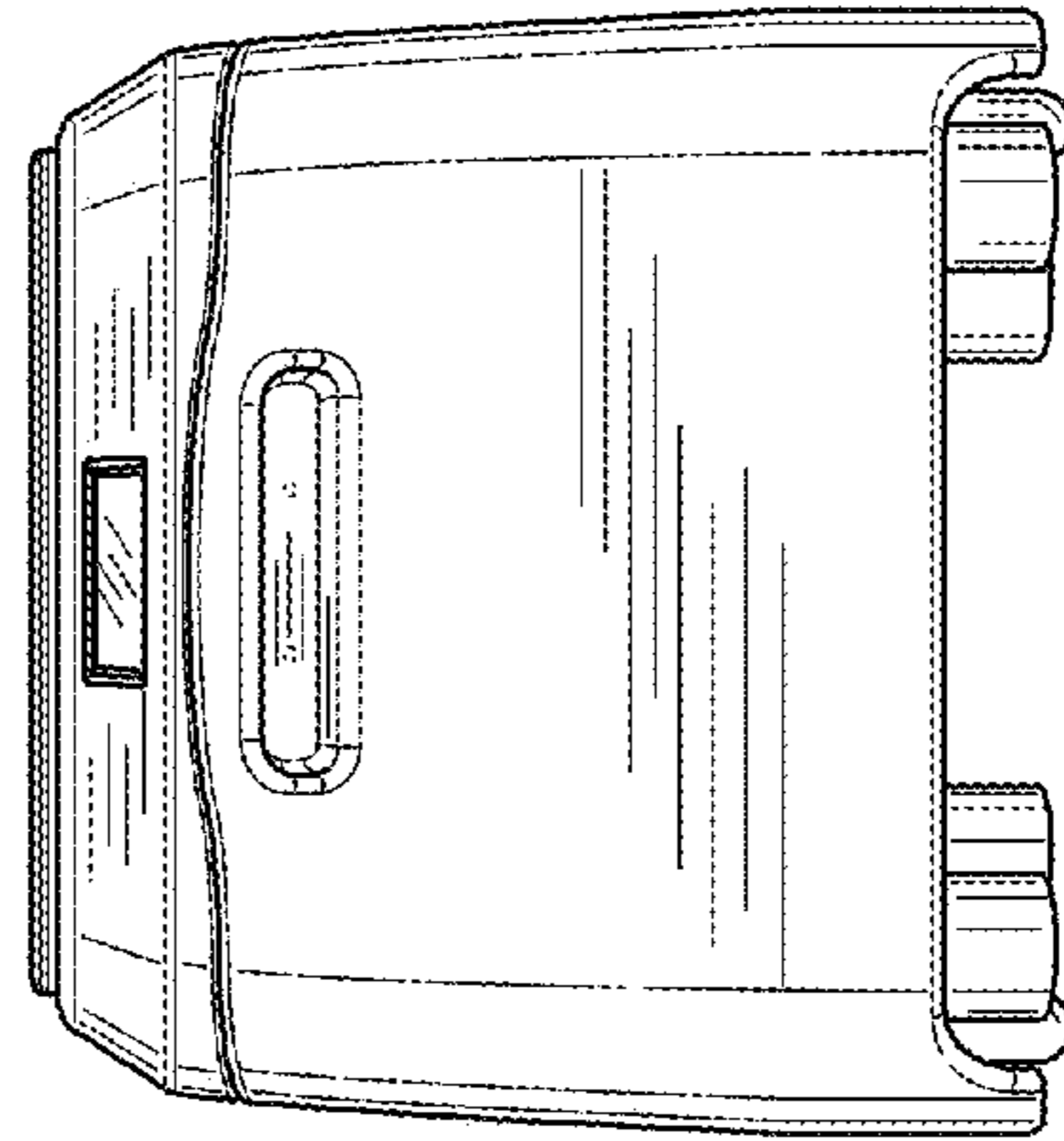


FIG. 5

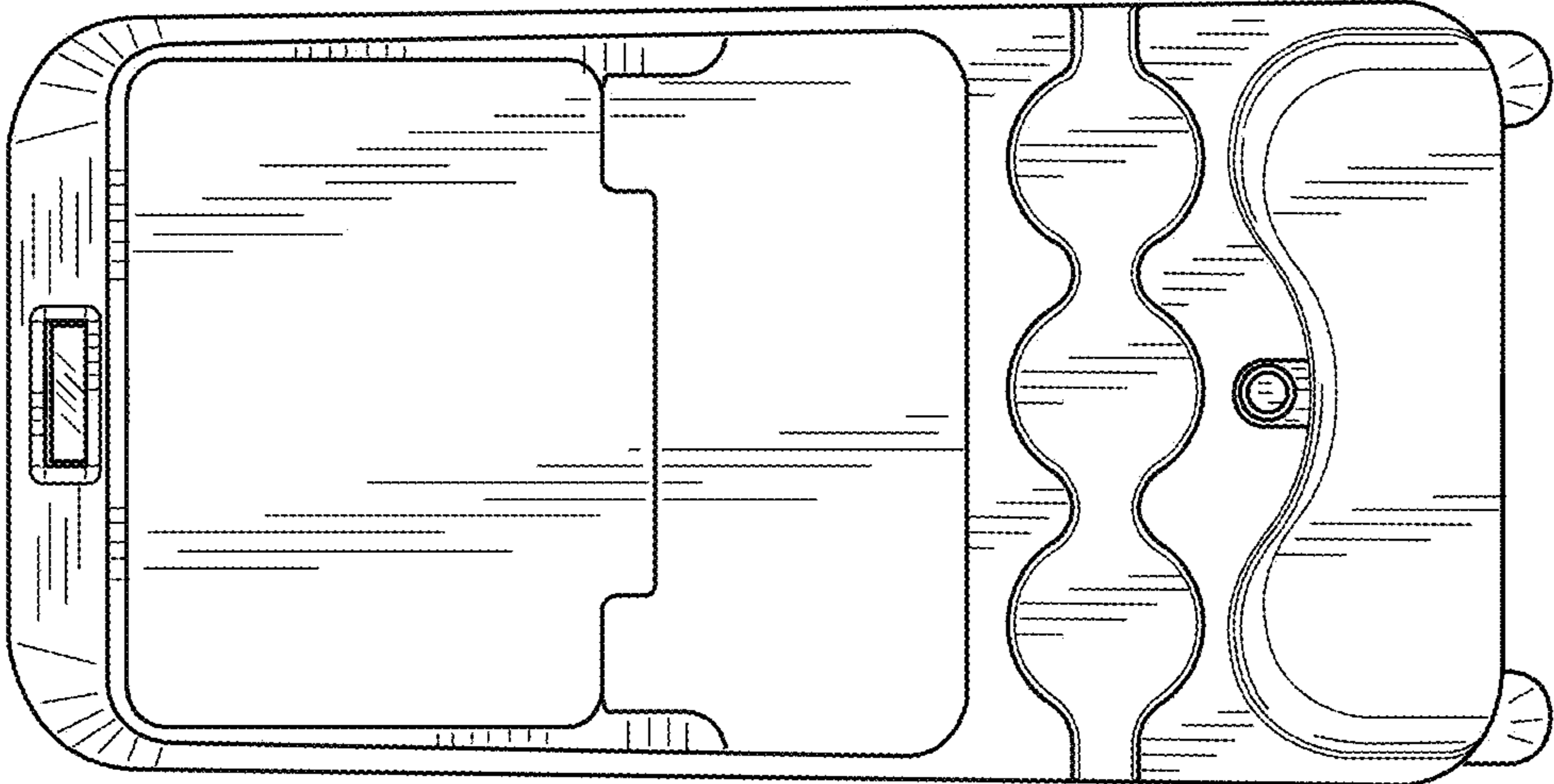


FIG. 6

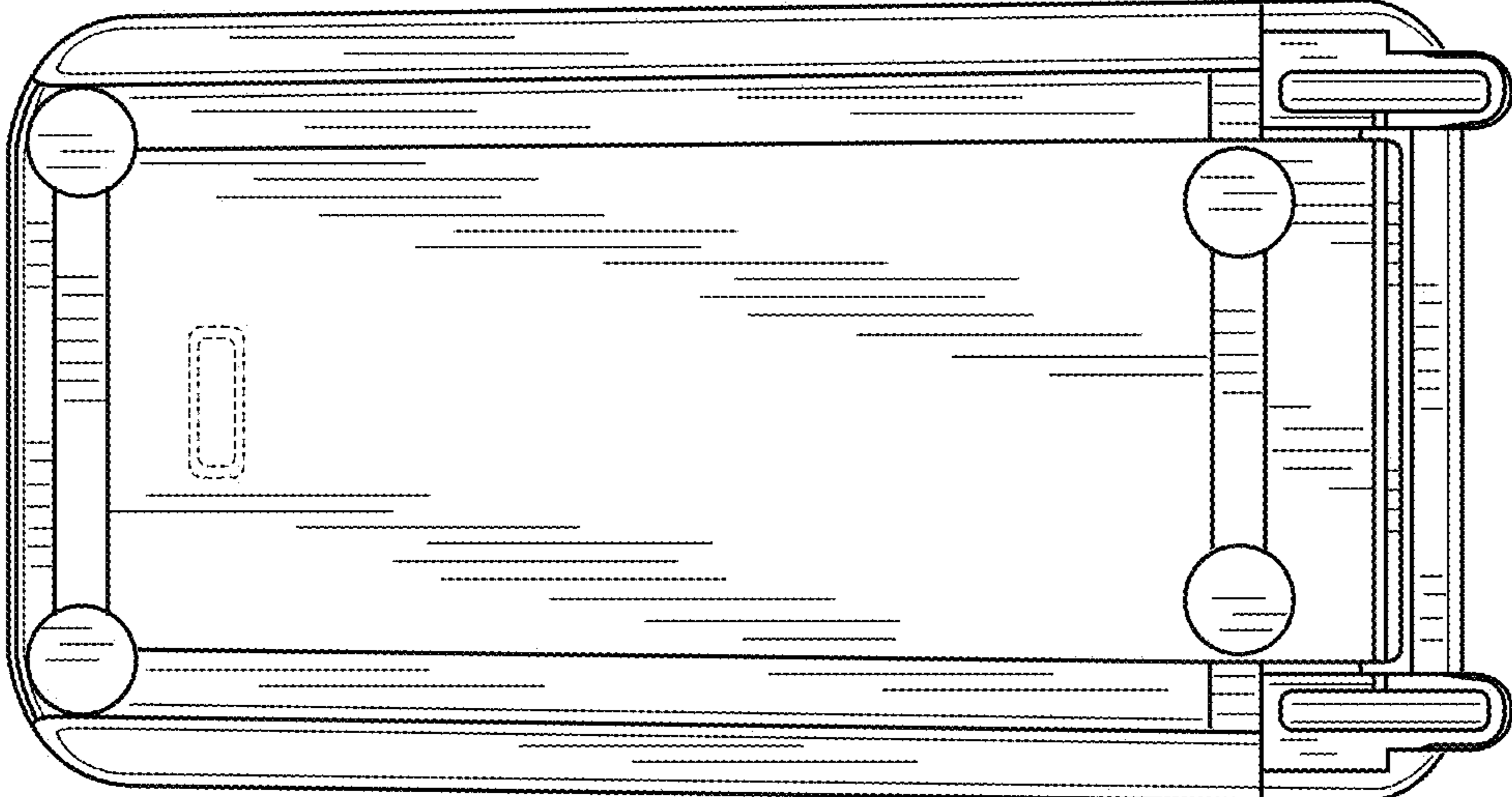


FIG. 7