



US00D719310S

(12) **United States Design Patent**
Ashbee et al.

(10) **Patent No.:** **US D719,310 S**
(45) **Date of Patent:** **** Dec. 9, 2014**

(54) **VACUUM CLEANER HEAD**

(71) Applicant: **Dyson Technology Limited**, Wiltshire (GB)

(72) Inventors: **Giles Ashbee**, Malmesbury (GB); **Adam James Bates**, Malmesbury (GB); **James Dyson**, Malmesbury (GB); **Peter David Gammack**, Malmesbury (GB); **Daniel Francis Helps**, Malmesbury (GB)

(73) Assignee: **Dyson Technology Limited**, Malmesbury, Wiltshire (GB)

(**) Term: **14 Years**

(21) Appl. No.: **29/462,584**

(22) Filed: **Aug. 6, 2013**

(30) **Foreign Application Priority Data**

Feb. 6, 2013 (EM) 002179390-0004

(51) **LOC (10) Cl.** **15-05**

(52) **U.S. Cl.**
USPC **D32/33**

(58) **Field of Classification Search**
USPC D32/31-33, 22, 17; 15/415.1-422, 1, 15/414, 320, 322, 405, 410, 353, 400, 333, 15/334, 335, 350, 327.1-327.7, 354-355, 15/357

See application file for complete search history.

(56) **References Cited**

U.S. PATENT DOCUMENTS

D518,933	S	*	4/2006	Courtney	D32/32
D519,933	S		5/2006	Suckle et al.		
D565,265	S	*	3/2008	Quance et al.	D32/32
D591,016	S	*	4/2009	Dyson et al.	D32/22
D599,513	S	*	9/2009	Dyson et al.	D32/32
D600,418	S	*	9/2009	Dyson et al.	D32/32
D600,419	S	*	9/2009	Dyson et al.	D32/32
D600,869	S	*	9/2009	Dyson et al.	D32/32
D616,165	S	*	5/2010	McLeod et al.	D32/32
D667,186	S	*	9/2012	Codling et al.	D32/33
2011/0214252	A1	*	9/2011	McLeod et al.	15/415.1

OTHER PUBLICATIONS

Ashbee et al., U.S. Office Action mailed Nov. 27, 2013, directed to U.S. Appl. No. 29/462,635; 6 pages.
Ashbee et al., U.S. Office Action mailed Nov. 27, 2013, directed to U.S. Appl. No. 29/462,508; 6 pages.
Ashbee et al., U.S. Office Action mailed Nov. 29, 2013, directed to U.S. Appl. No. 29/462,493; 6 pages.

* cited by examiner

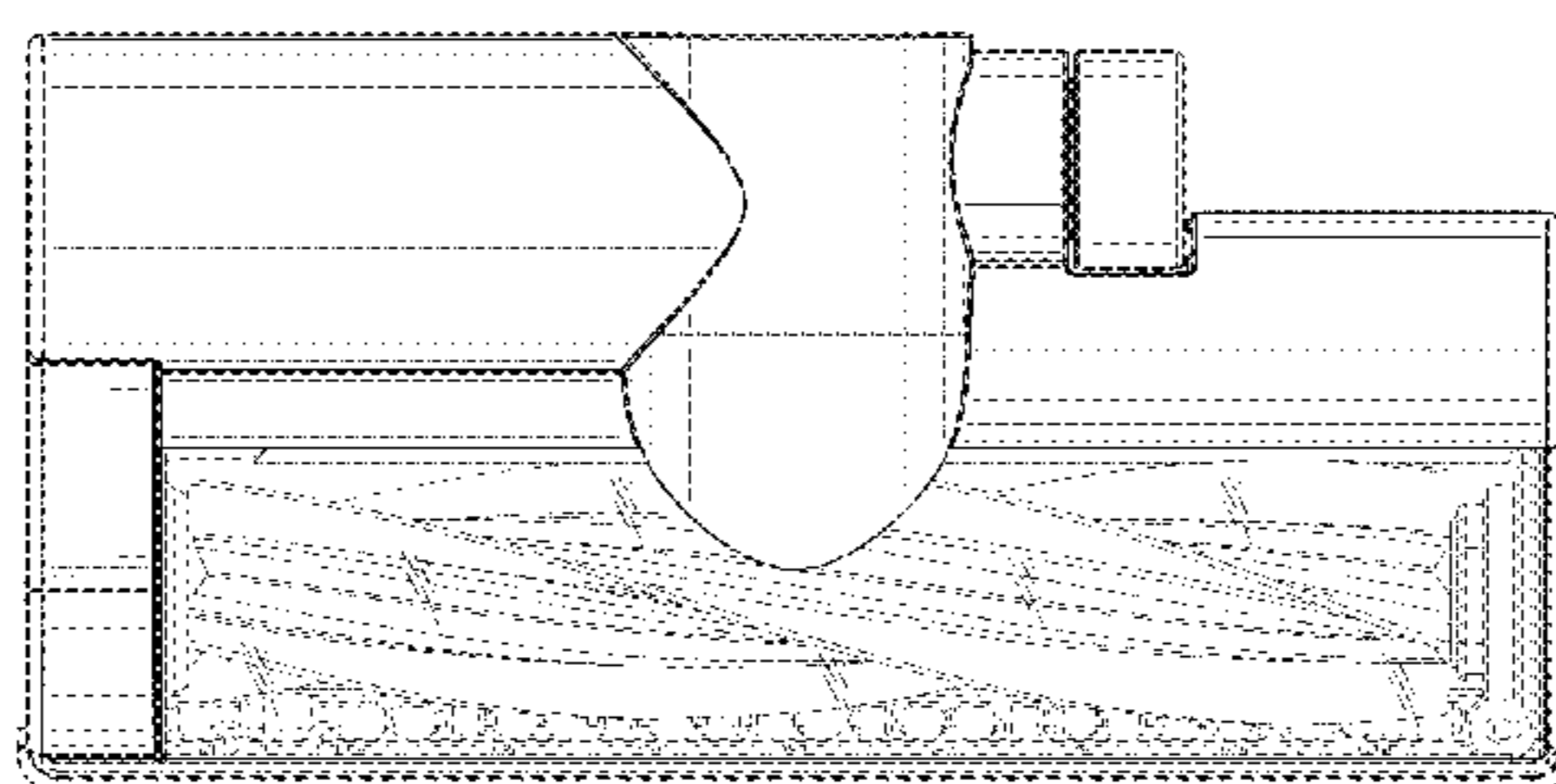
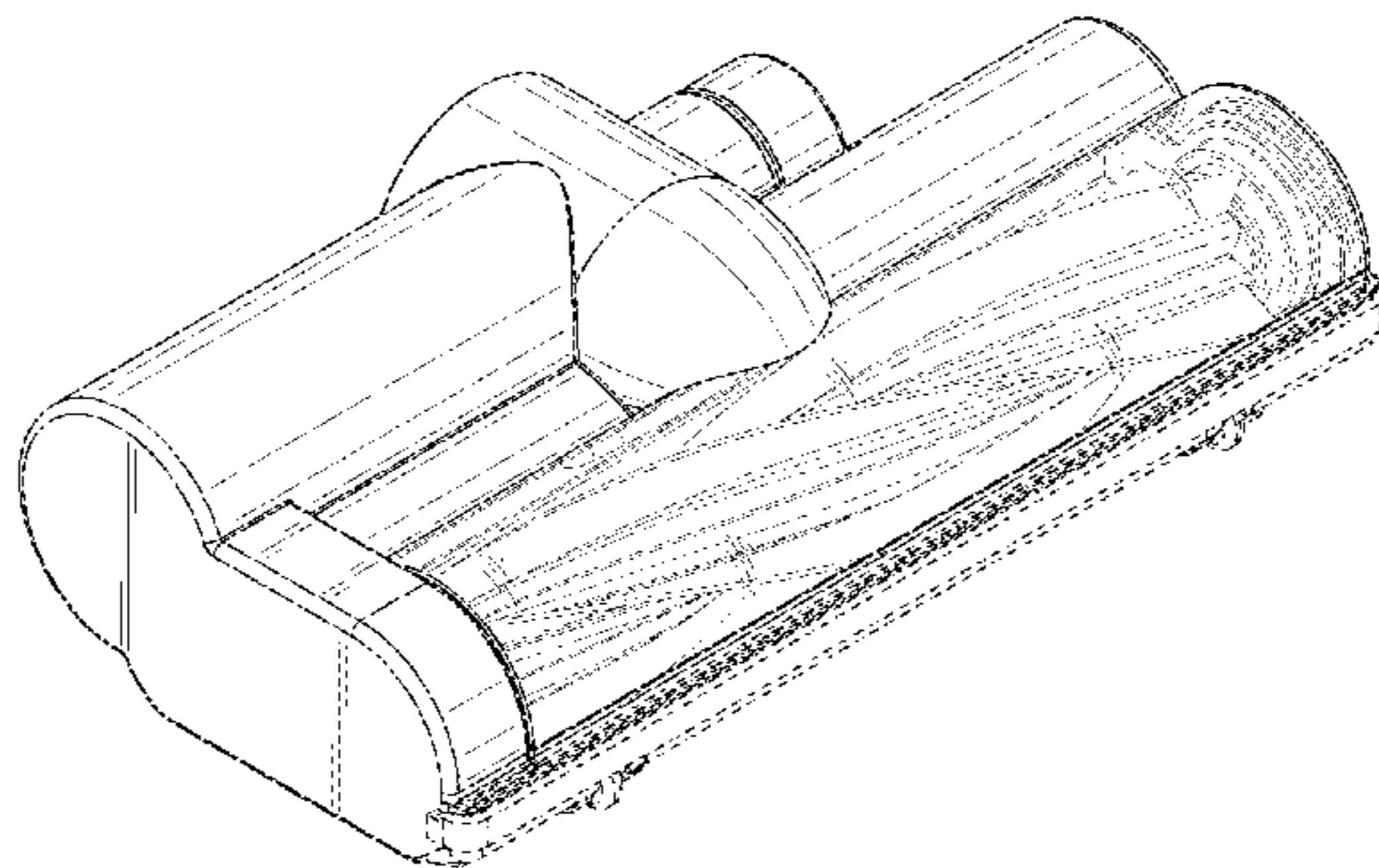
Primary Examiner — Ruth McInroy
(74) *Attorney, Agent, or Firm* — Morrison & Foerster LLP

(57) **CLAIM**
We claim the ornamental design for a vacuum cleaner head, as shown and described.

DESCRIPTION

FIG. 1 is a perspective view of a vacuum cleaner head showing our new design; and, FIG. 2 is a top view thereof. The details shown in broken lines form no part of the claimed design.

1 Claim, 2 Drawing Sheets



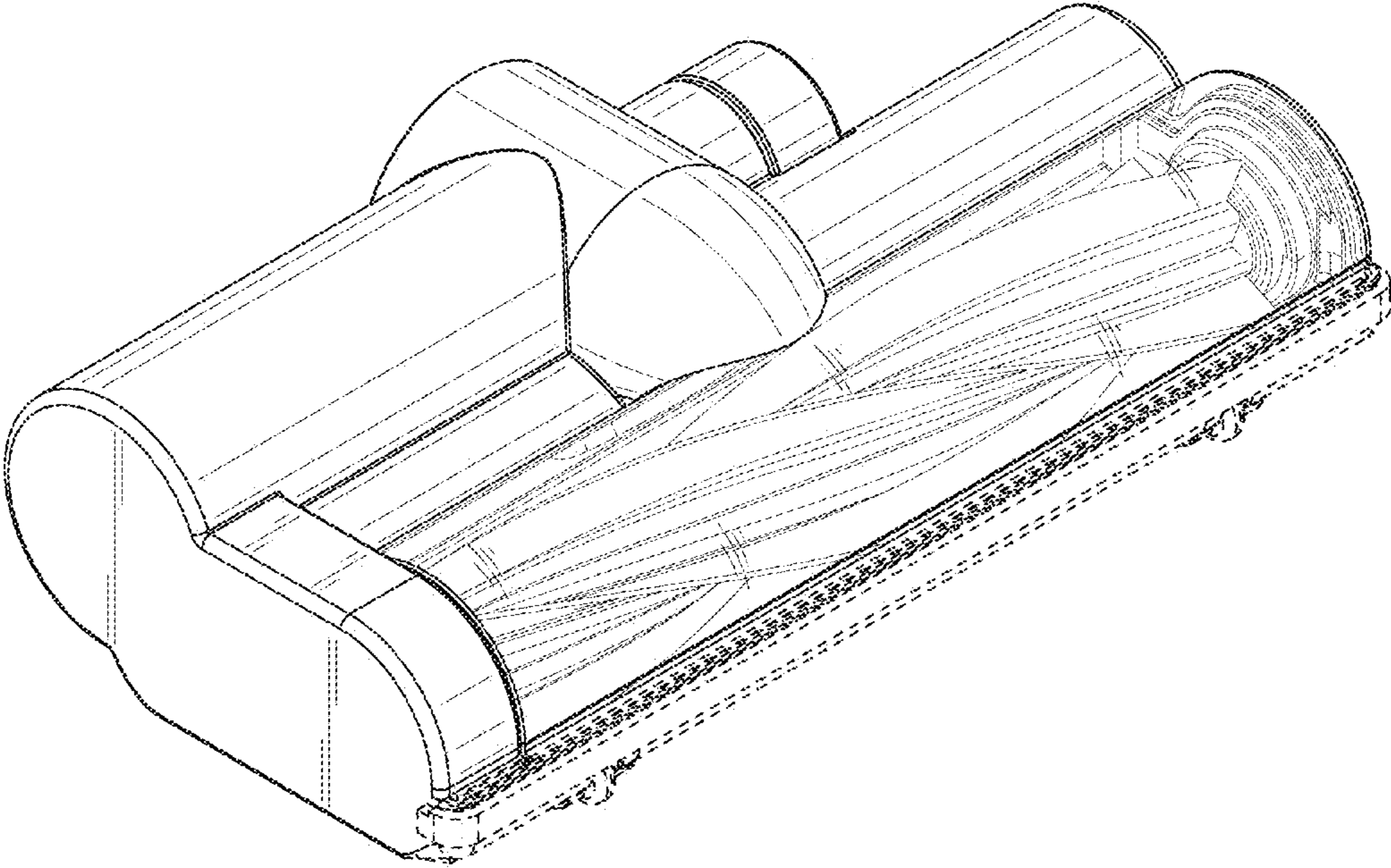


FIG. 1

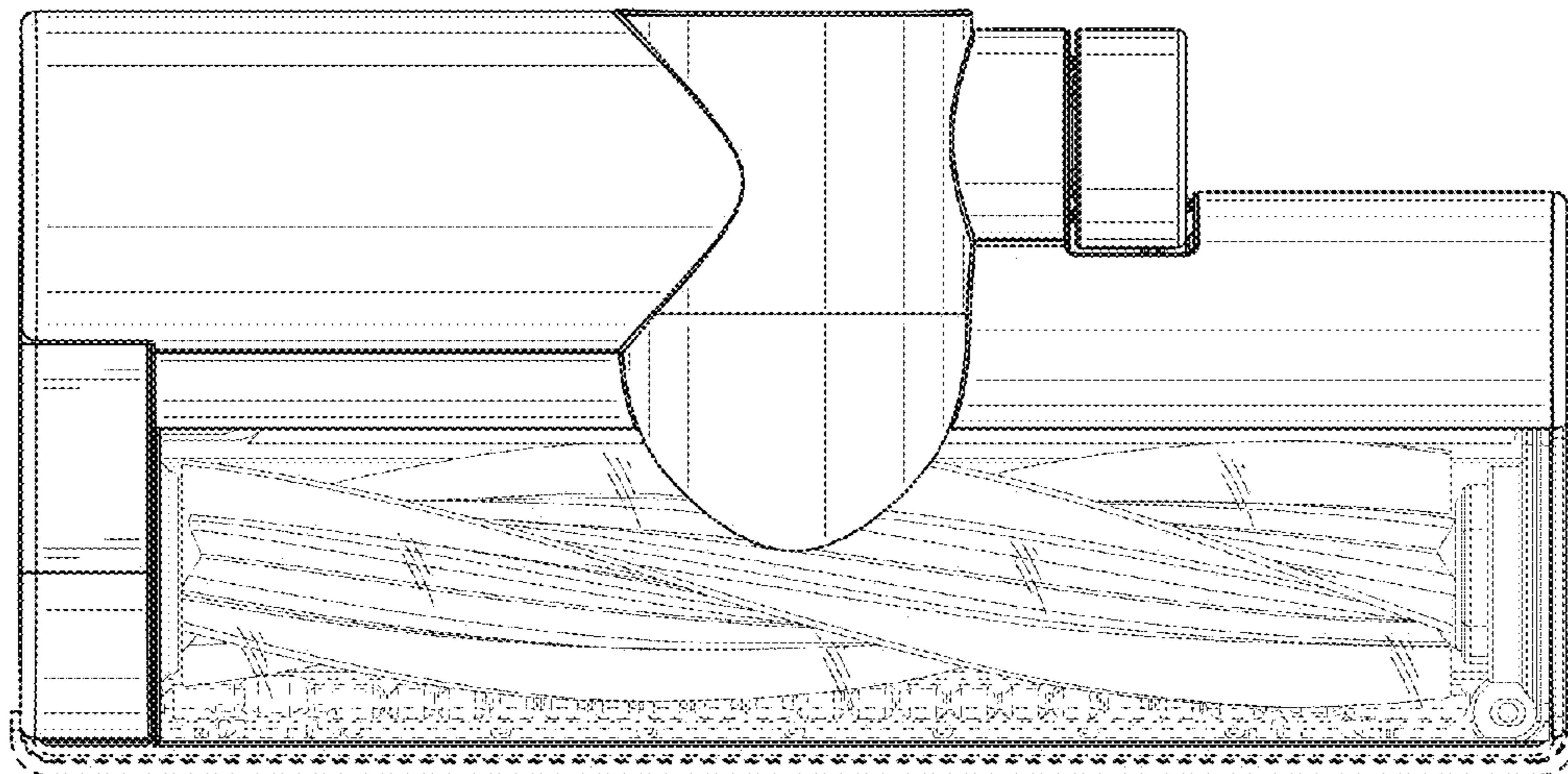


FIG. 2