



US00D719309S

(12) **United States Design Patent**  
**Ashbee et al.**

(10) **Patent No.:** **US D719,309 S**  
(45) **Date of Patent:** **\*\* Dec. 9, 2014**

(54) **VACUUM CLEANER HEAD**  
(71) Applicant: **Dyson Technology Limited**, Wiltshire (GB)  
(72) Inventors: **Giles Ashbee**, Malmesbury (GB); **Adam James Bates**, Malmesbury (GB); **James Dyson**, Malmesbury (GB); **Peter David Gammack**, Malmesbury (GB); **Alistair William Skuse**, Malmesbury (GB)

D565,265 S \* 3/2008 Quance et al. .... D32/32  
D591,016 S \* 4/2009 Dyson et al. .... D32/22  
D599,513 S \* 9/2009 Dyson et al. .... D32/32  
D600,418 S \* 9/2009 Dyson et al. .... D32/32  
D600,419 S \* 9/2009 Dyson et al. .... D32/32  
D600,869 S \* 9/2009 Dyson et al. .... D32/32  
D616,165 S \* 5/2010 McLeod et al. .... D32/32  
D667,186 S \* 9/2012 Codling et al. .... D32/33  
2011/0214252 A1 \* 9/2011 McLeod et al. .... 15/415.1

(73) Assignee: **Dyson Technology Limited**, Malmesbury, Wiltshire (GB)

(\*\*) Term: **14 Years**

(21) Appl. No.: **29/462,493**

(22) Filed: **Aug. 5, 2013**

(30) **Foreign Application Priority Data**

Feb. 6, 2013 (EM) ..... 002179366-0004

(51) **LOC (10) Cl.** ..... **15-05**

(52) **U.S. Cl.**  
USPC ..... **D32/33**

(58) **Field of Classification Search**  
USPC ..... D32/31-33, 22, 17; 15/415.1-422, 1, 15/414, 320, 322, 405, 410, 353, 400, 333, 15/334, 335, 350, 327.1-327.7, 354-355, 15/357

See application file for complete search history.

(56) **References Cited**

**U.S. PATENT DOCUMENTS**

D518,933 S \* 4/2006 Courtney ..... D32/32  
D519,933 S 5/2006 Suckle et al.

**OTHER PUBLICATIONS**

Ashbee et al., U.S. Office Action mailed Nov. 27, 2013, directed to U.S. Appl. No. 29/462,635; 6 pages.  
Ashbee et al., U.S. Office Action mailed Nov. 27, 2013, directed to U.S. Appl. No. 29/462,584; 6 pages.  
Ashbee et al., U.S. Office Action mailed Nov. 27, 2013, directed to U.S. Appl. No. 29/462,508; 6 pages.

\* cited by examiner

*Primary Examiner* — Ruth McInroy

(74) *Attorney, Agent, or Firm* — Morrison & Foerster LLP

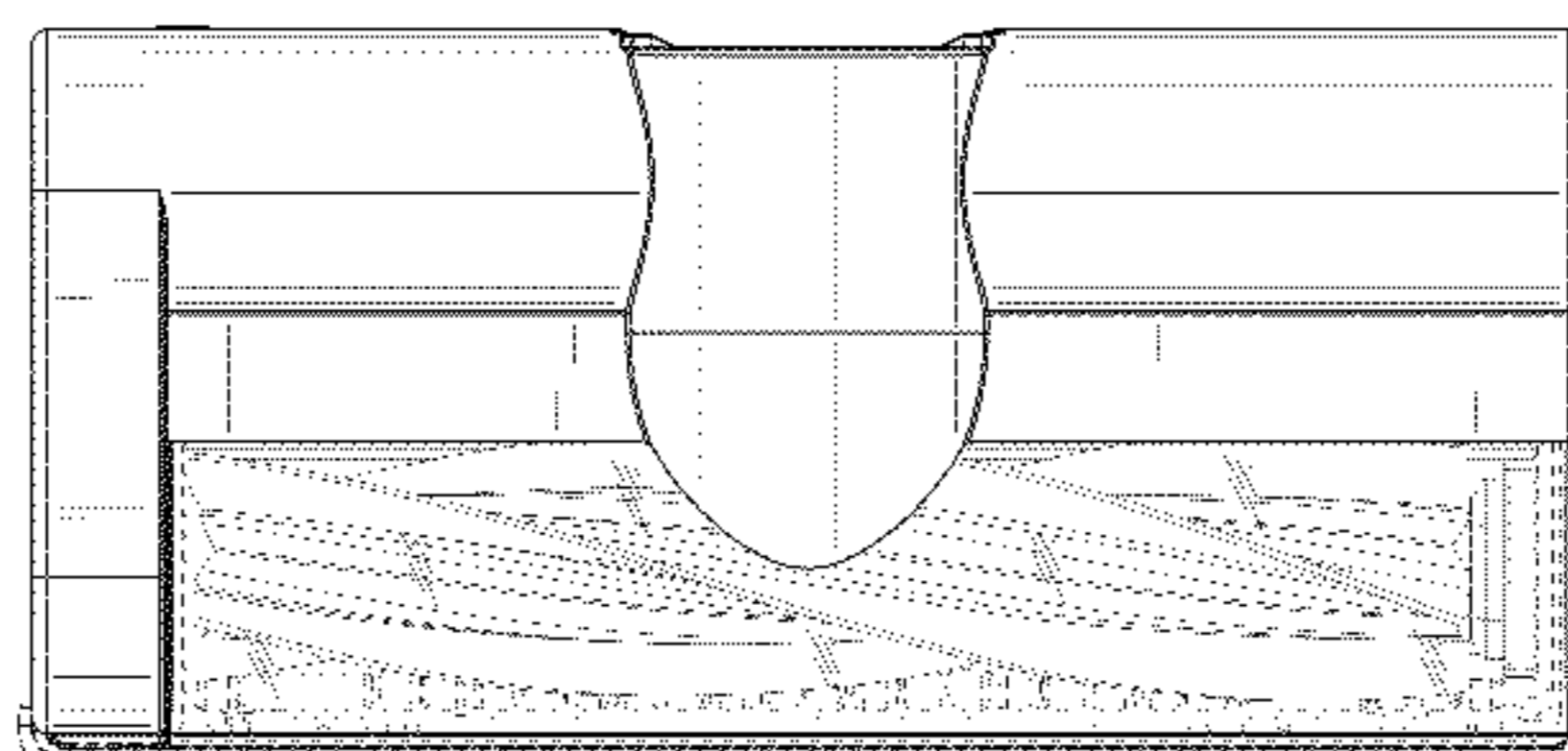
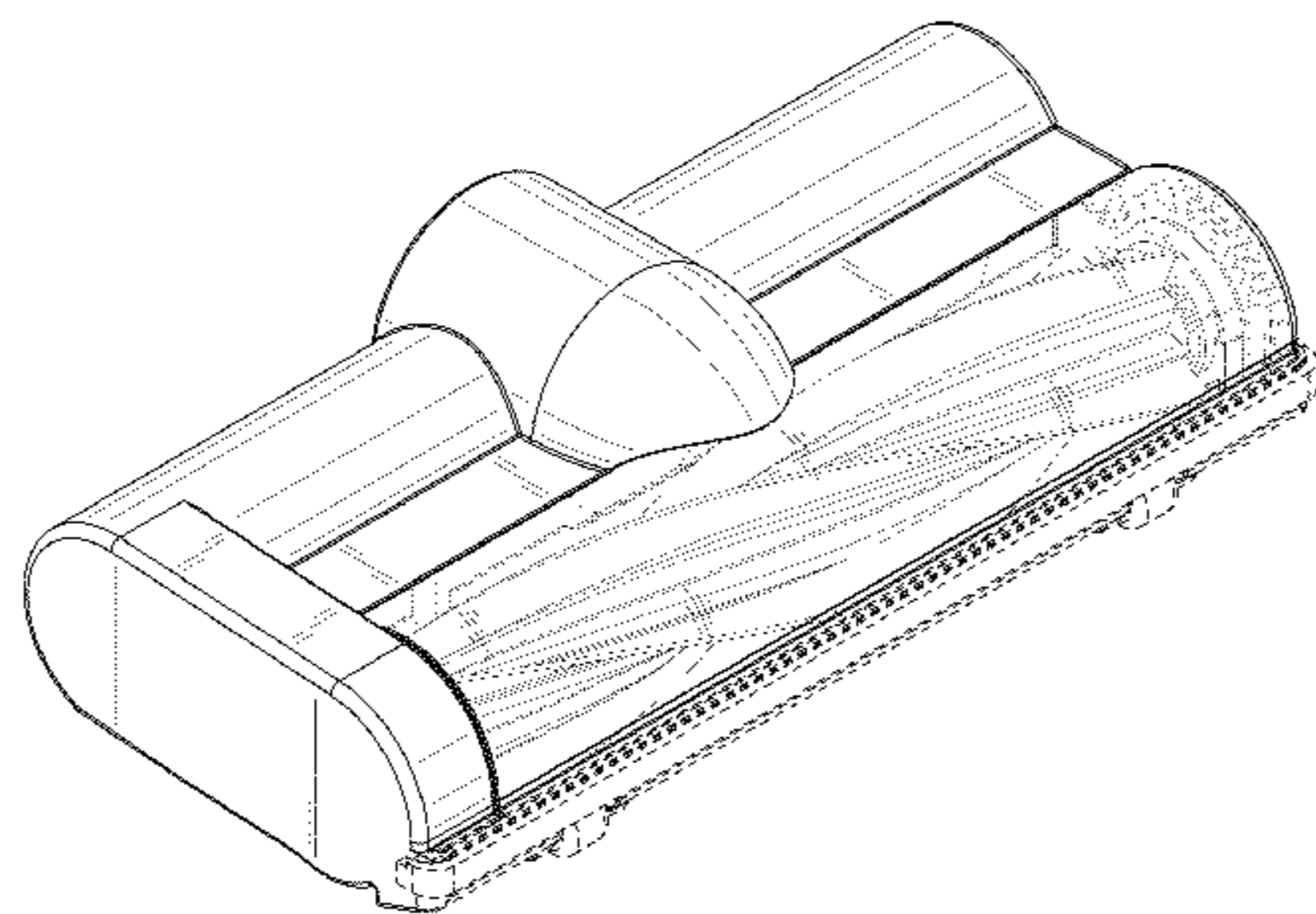
(57) **CLAIM**

We claim the ornamental design for a vacuum cleaner head, as shown and described.

**DESCRIPTION**

FIG. 1 is a perspective view of a vacuum cleaner head showing our new design; and, FIG. 2 is a top view thereof. The details shown in broken lines form no part of the claimed design.

**1 Claim, 2 Drawing Sheets**



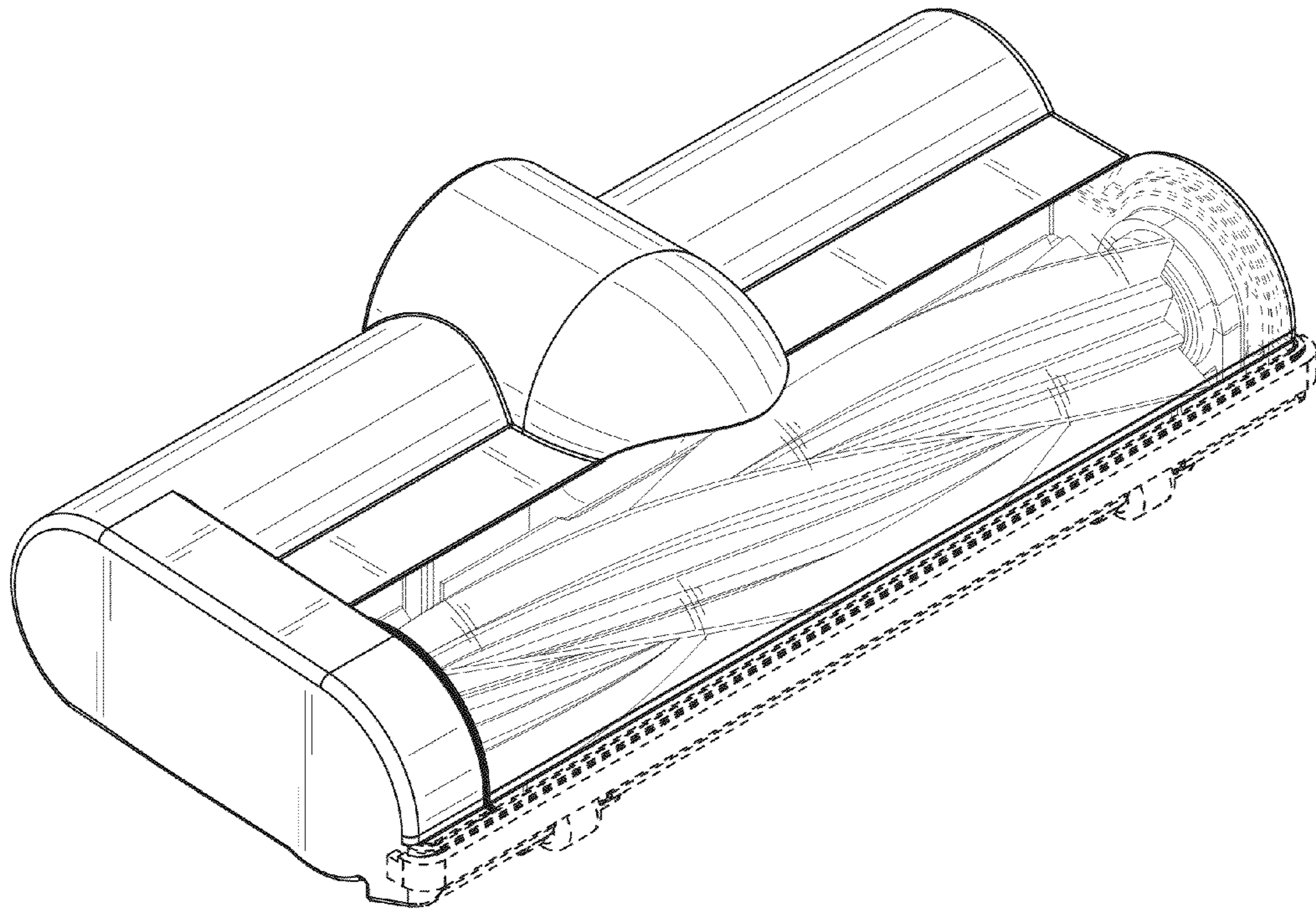


FIG. 1

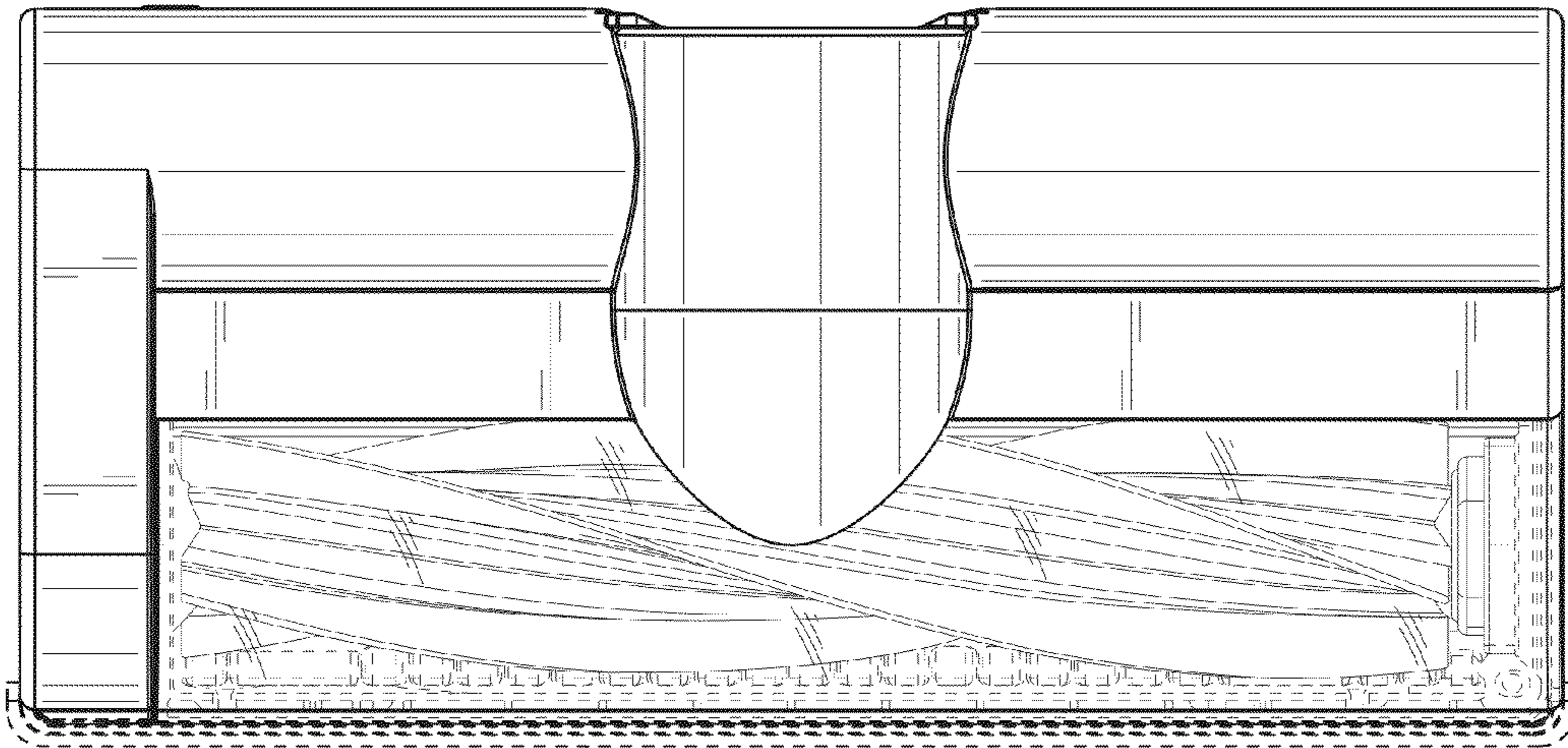


FIG. 2