



US00D719308S

(12) **United States Design Patent**
Israel

(10) **Patent No.:** **US D719,308 S**
(45) **Date of Patent:** **** Dec. 9, 2014**

- (54) **CANISTER STEAM CLEANER**
- (71) Applicant: **Vornado Air, LLC**, Andover, KS (US)
- (72) Inventor: **Gary P. Israel**, Andover, KS (US)
- (73) Assignee: **Vornado Air LLC**, Andover, KS (US)
- (**) Term: **14 Years**
- (21) Appl. No.: **29/441,261**
- (22) Filed: **Jan. 3, 2013**
- (51) **LOC (10) Cl.** **15-05**
- (52) **U.S. Cl.**
USPC **D32/17**
- (58) **Field of Classification Search**
USPC D32/17-21, 24, 31-33, 50; 15/320,
15/322, 327.1, 327.5-327.7, 353,
15/415.1-422, 422.1, 329, 366, 383, 384,
15/400, 340.4, 340.2, 52.2, 50.1, 50.2;
68/222, 5 R, 5 A; 392/403-406, 394,
392/386; 8/149.3; 239/136, 128; 137/241;
38/77.5-77.7, 77.9, 3, 14, 141, 77.83
See application file for complete search history.

D660,529	S	*	5/2012	Dammkoehler et al.	D32/21
D663,496	S		7/2012	Ediger et al.		
D667,597	S	*	9/2012	Dammkoehler	D32/21
D669,234	S		10/2012	Ediger et al.		
D675,388	S	*	1/2013	Buck	D32/21
2005/0150261	A1	*	7/2005	Carlucci	68/222

OTHER PUBLICATIONS

U.S. Appl. No. 29/441,257, filed Jan. 3, 2013, Gary P. Israel.
U.S. Appl. No. 29/441,259, filed Jan. 3, 2013, Gary P. Israel.

* cited by examiner

Primary Examiner — Ruth McInroy

(74) *Attorney, Agent, or Firm* — David H. Milligan

(57) **CLAIM**

The ornamental design for a canister steam cleaner, as shown and described.

DESCRIPTION

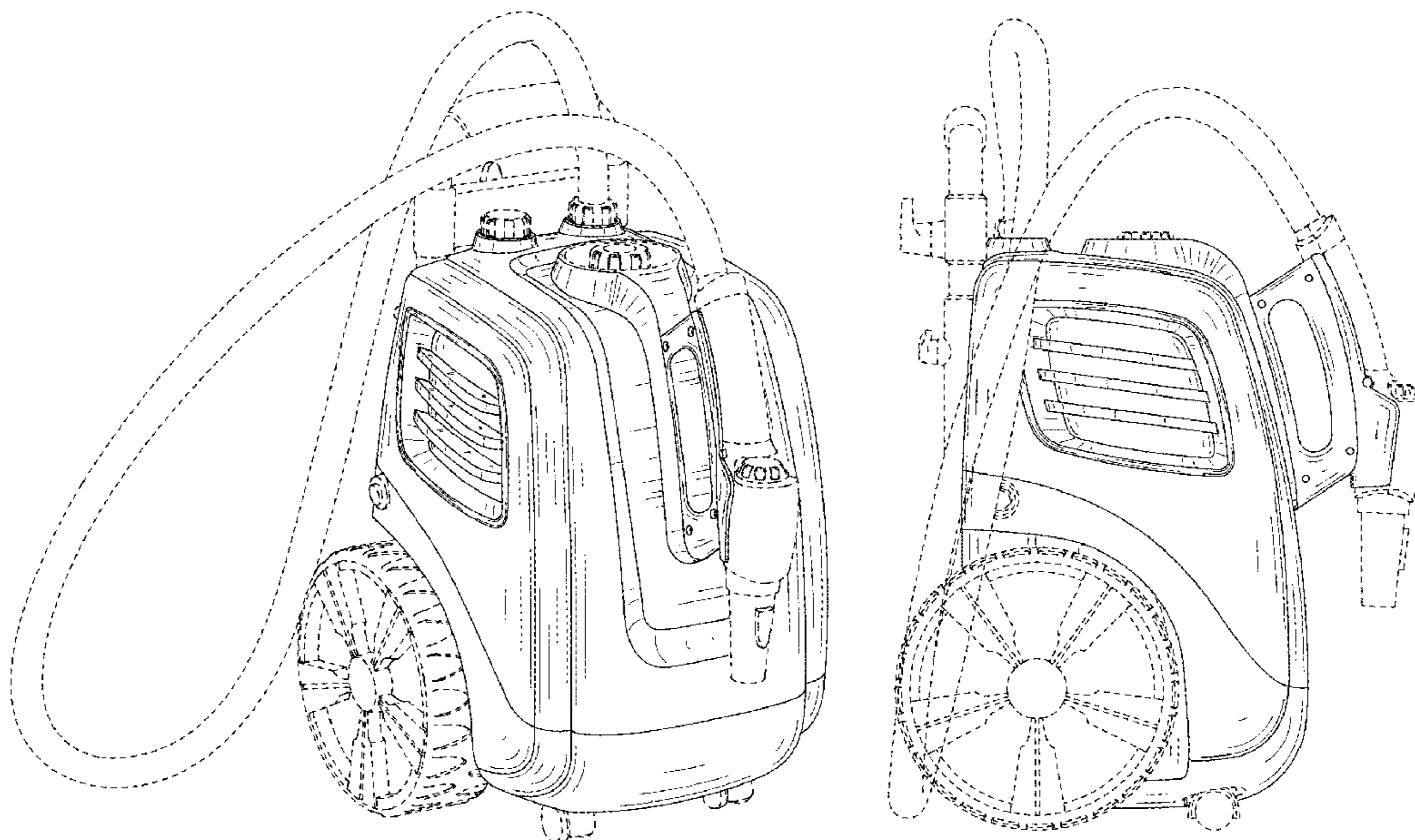
FIG. 1 is a right, front, top perspective view of the canister steam cleaner of FIG. 1;
 FIG. 2 is a rear, left, top elevation view of the canister steam cleaner of FIG. 1;
 FIG. 3 is a left elevation view of the canister steam cleaner of FIG. 1;
 FIG. 4 is a right elevation view of the canister steam cleaner of FIG. 1;
 FIG. 5 is a front elevation view of the canister steam cleaner of FIG. 1;
 FIG. 6 is a rear elevation view of the canister steam cleaner of FIG. 1;
 FIG. 7 is a top elevation view of the canister steam cleaner of FIG. 1; and,
 FIG. 8 is a bottom elevation view of the canister steam cleaner of FIG. 1.

1 Claim, 7 Drawing Sheets

(56) **References Cited**

U.S. PATENT DOCUMENTS

D452,594	S	*	12/2001	Rosa	D32/21
6,886,373	B2	*	5/2005	Carrubba et al.	68/222
D537,215	S	*	2/2007	Foersterling	D32/9
D581,111	S	*	11/2008	DiPasquale	D32/21
D581,608	S	*	11/2008	Dammkoehler et al.	D32/21
D623,364	S		9/2010	Ediger et al.		
D623,365	S		9/2010	Ediger et al.		
D623,366	S		9/2010	Ediger et al.		
D652,185	S	*	1/2012	Mu	D32/21
D657,100	S	*	4/2012	Ediger et al.	D32/17



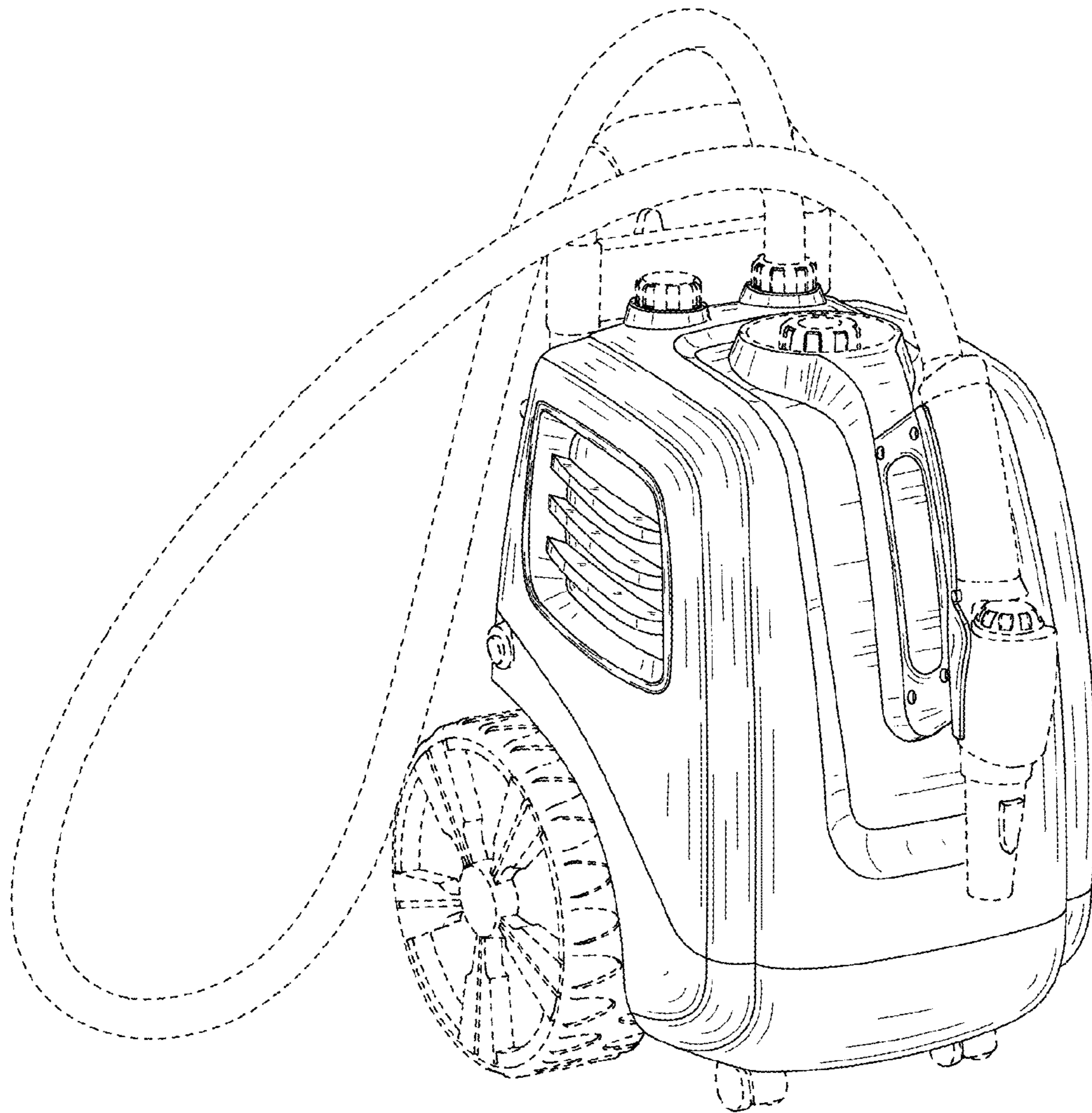


FIG. 1

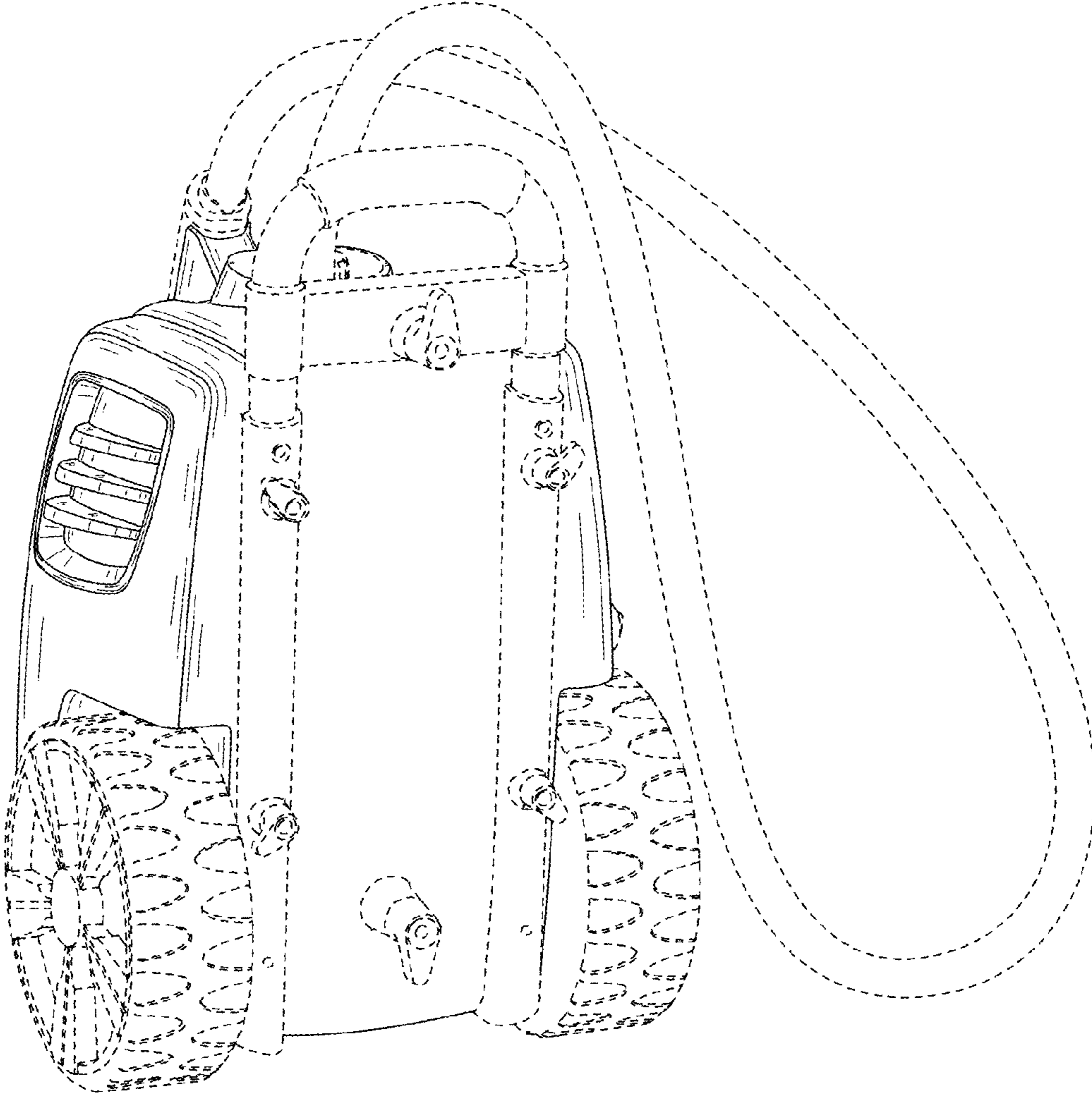


FIG. 2

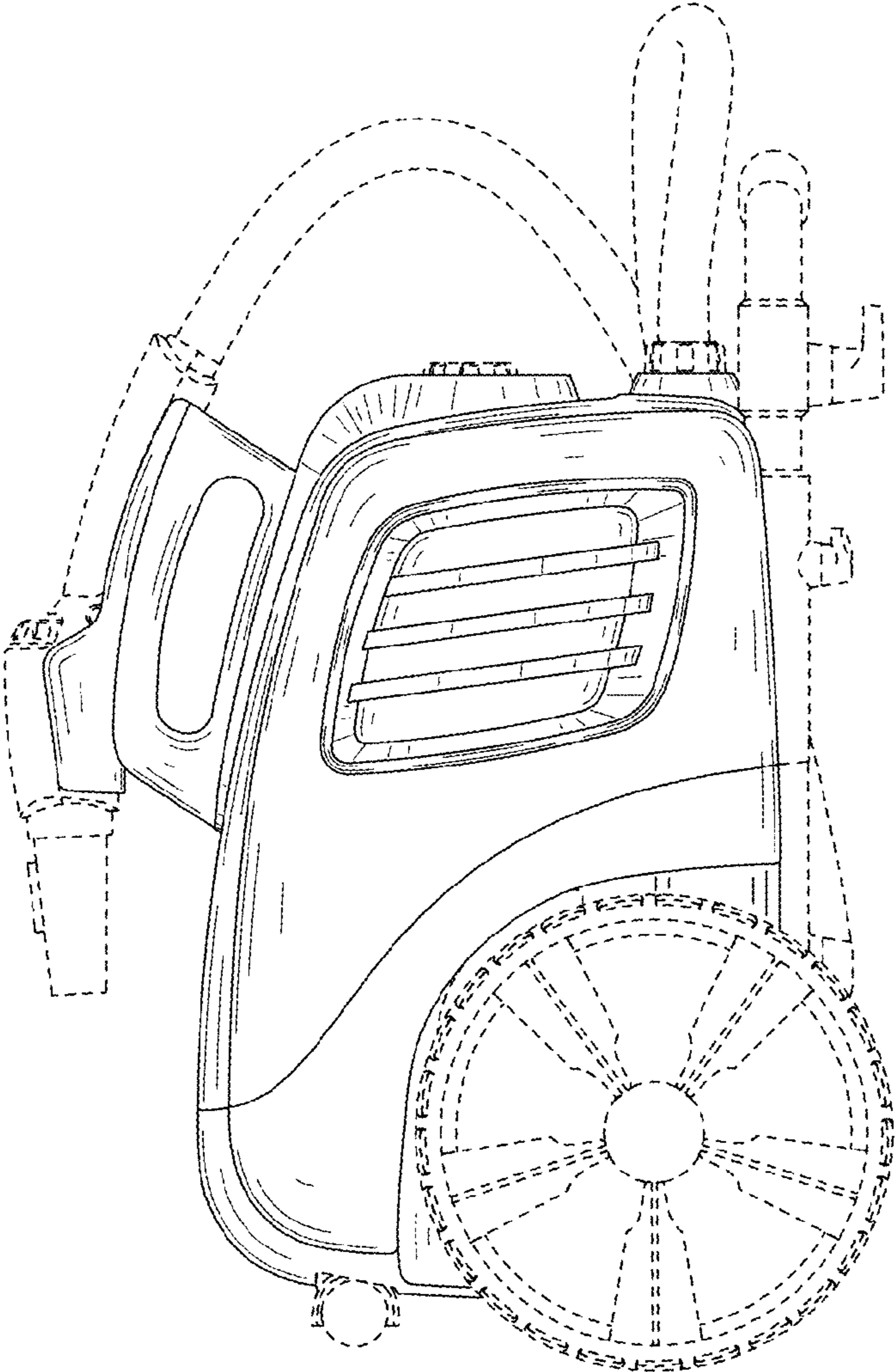


FIG. 3

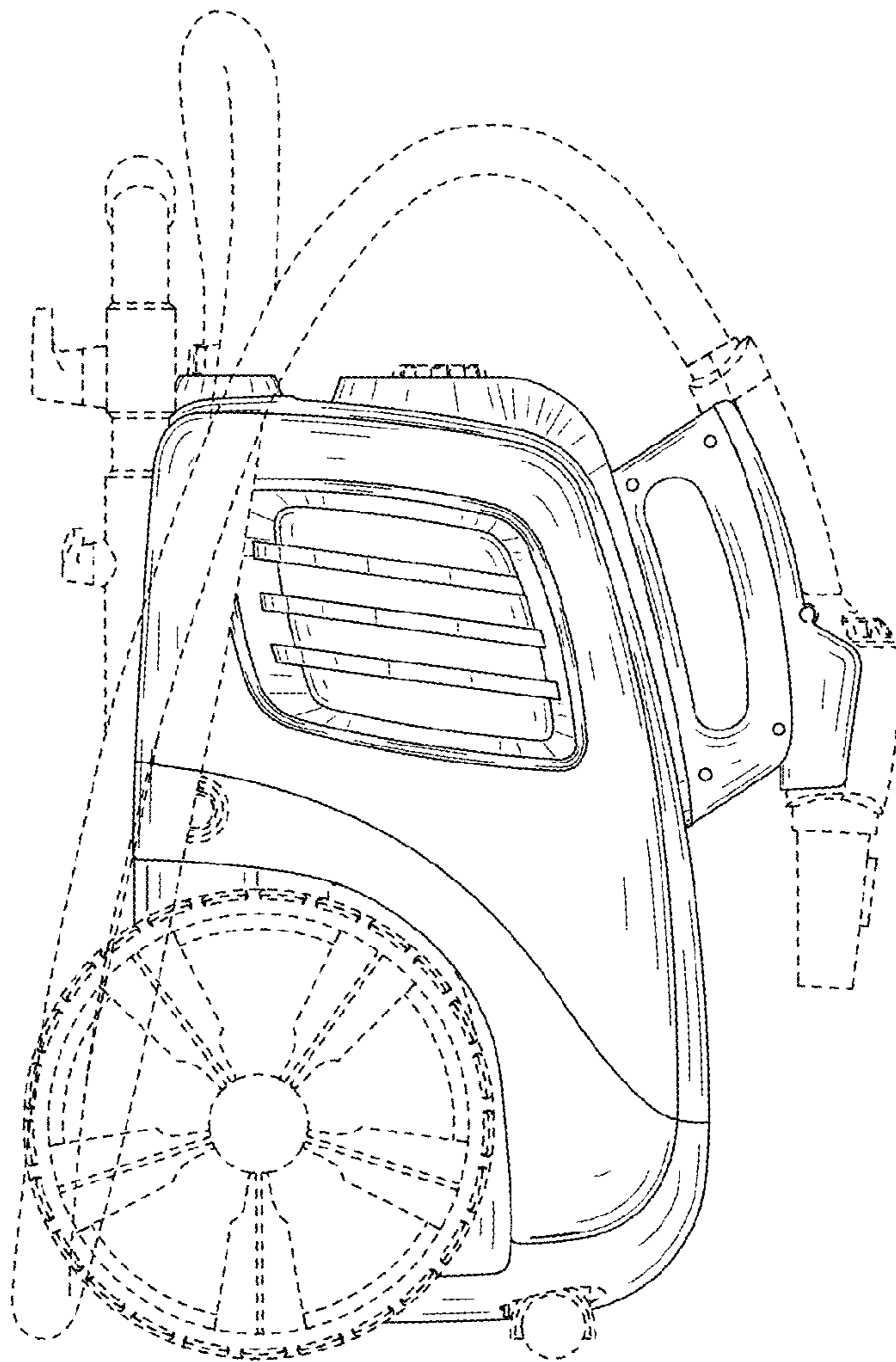


FIG. 4

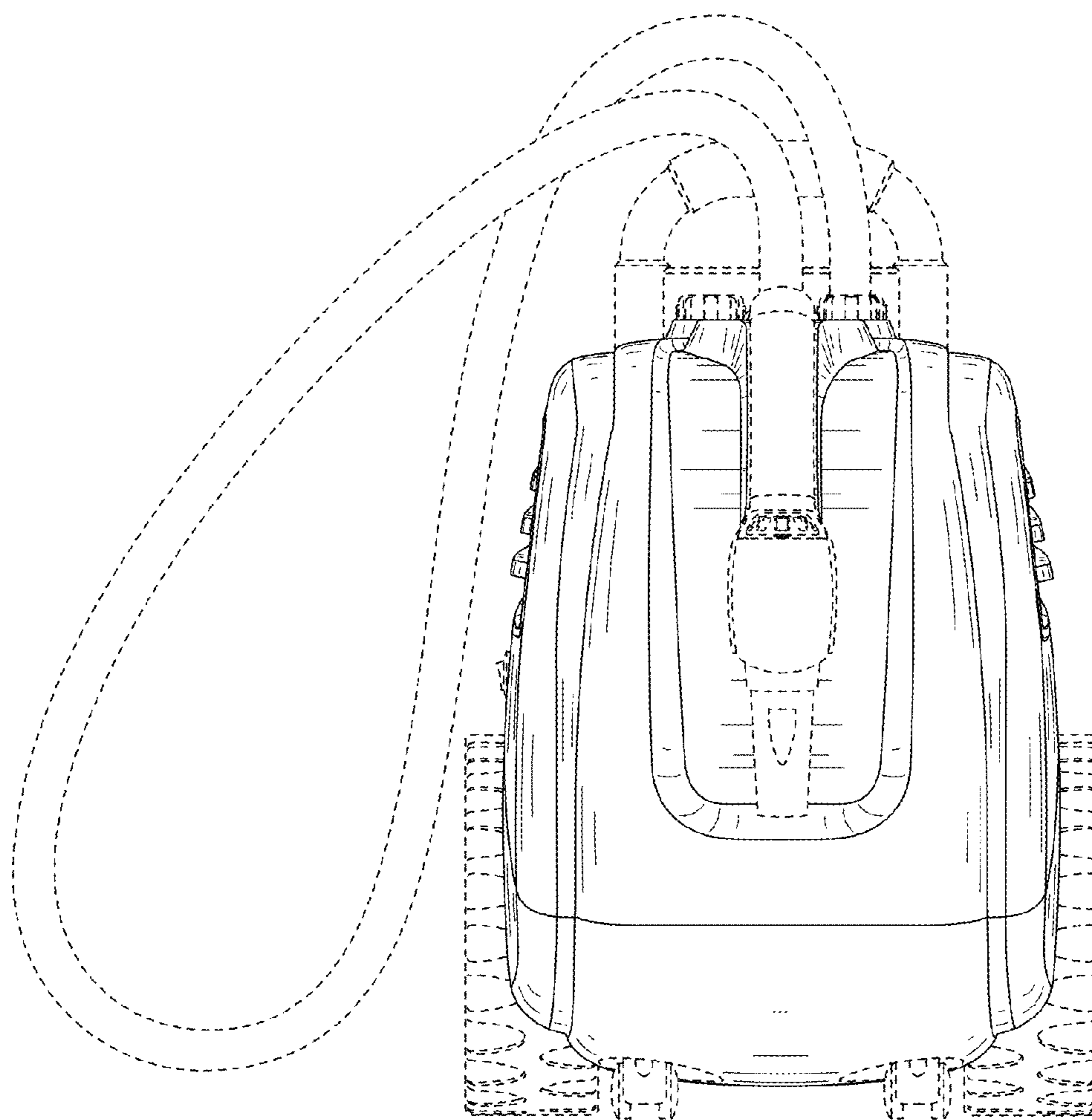


FIG. 5

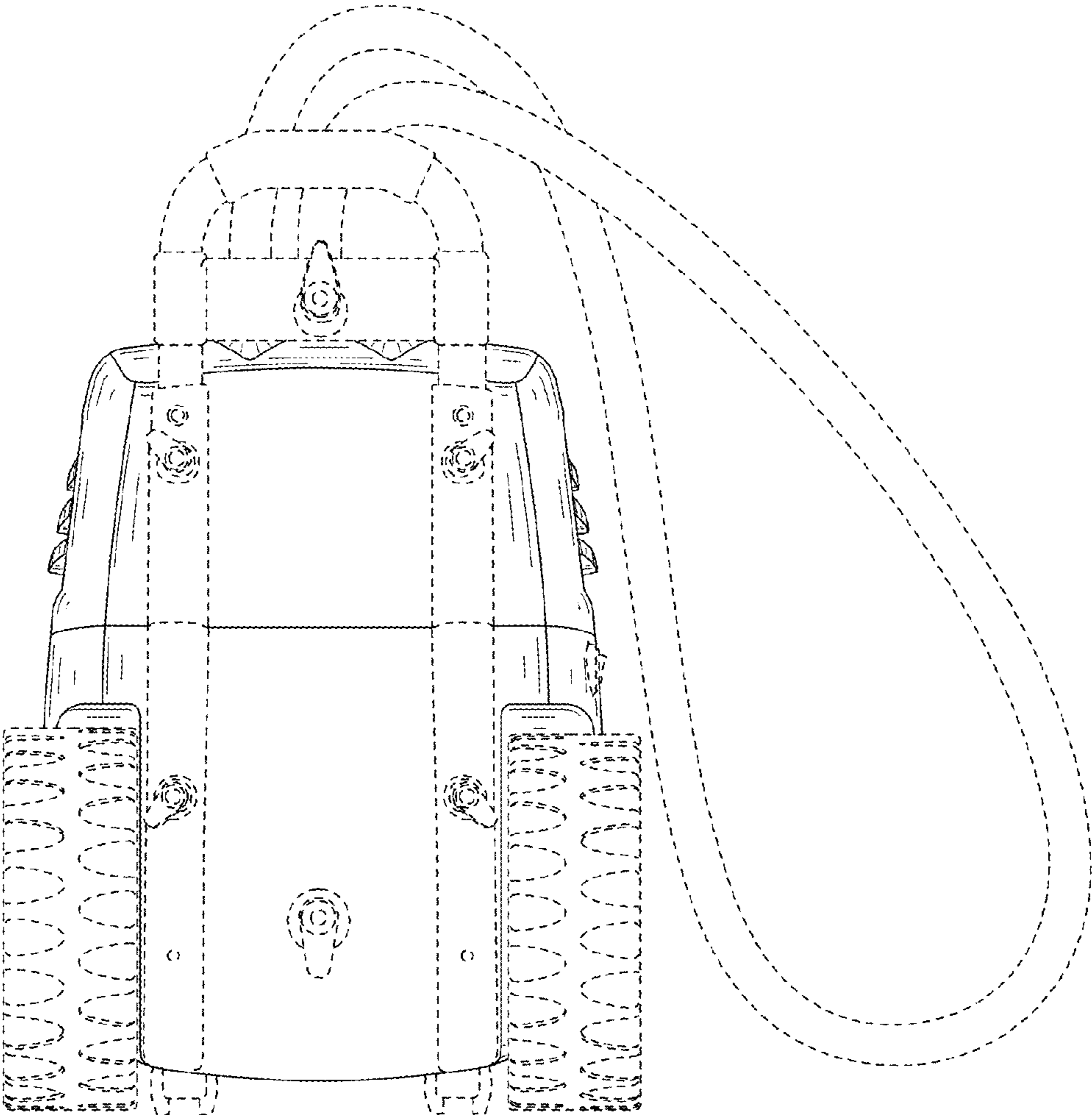


FIG. 6

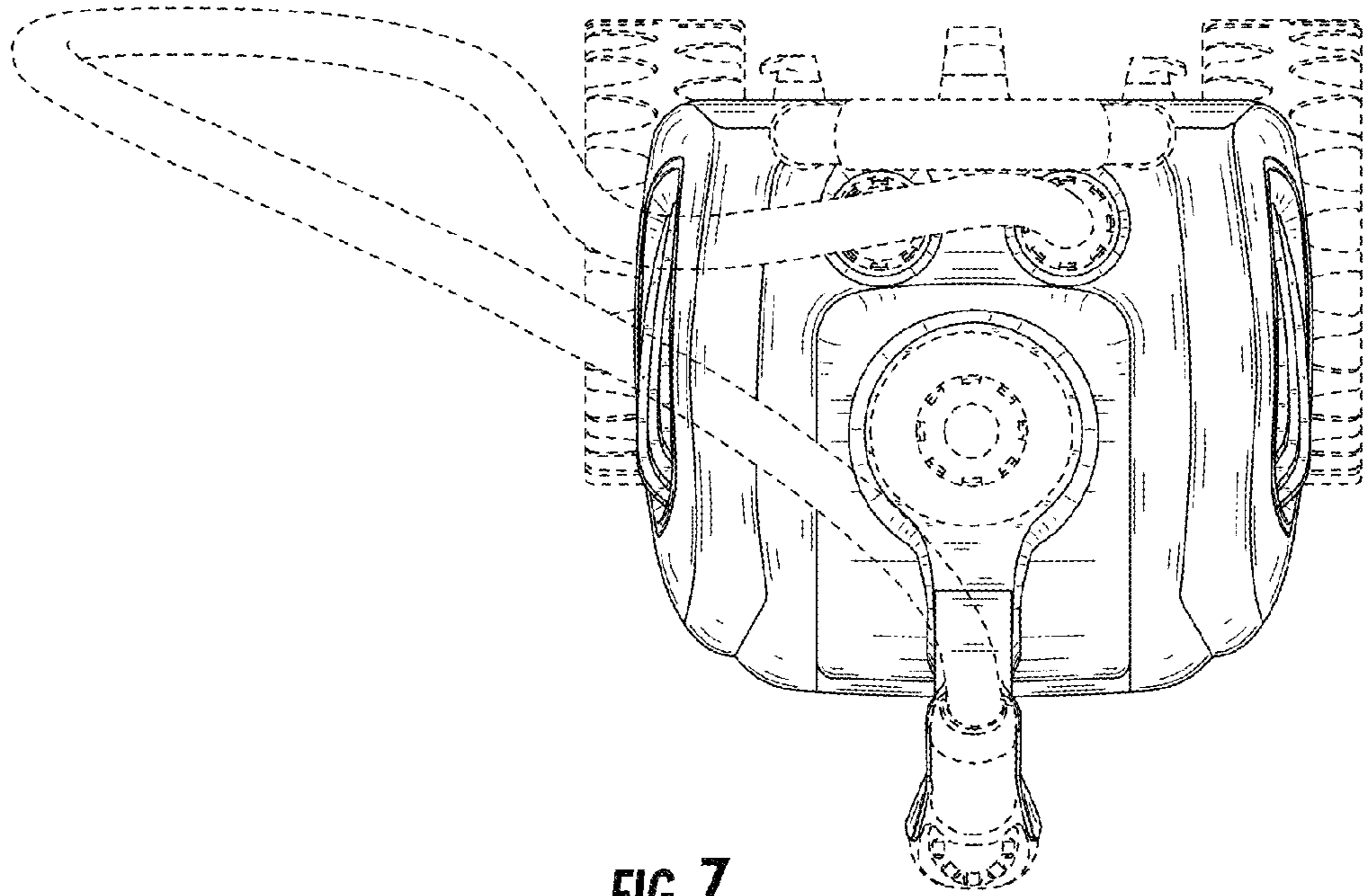


FIG. 7

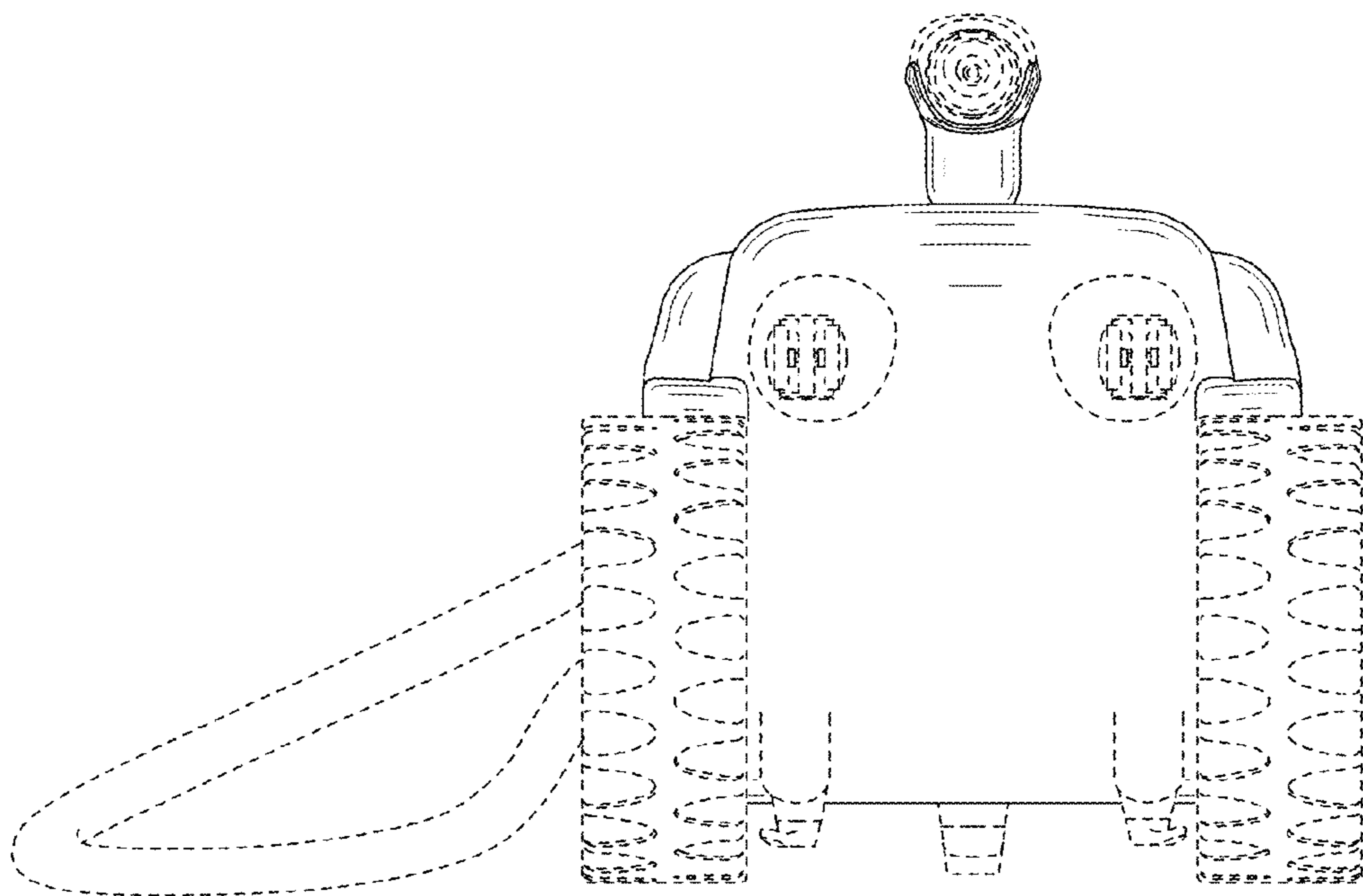


FIG. 8