



US00D719305S

(12) **United States Design Patent**  
**Tadeja**

(10) **Patent No.:** **US D719,305 S**

(45) **Date of Patent:** **\*\* Dec. 9, 2014**

- (54) **ANIMAL CAGE CASTLE CROWN**
- (71) Applicant: **Jonathan Tadeja**, Yonkers, NY (US)
- (72) Inventor: **Jonathan Tadeja**, Yonkers, NY (US)
- (\*\*) Term: **14 Years**
- (21) Appl. No.: **29/489,606**
- (22) Filed: **May 1, 2014**
- (51) **LOC (10) Cl.** ..... **30-02**
- (52) **U.S. Cl.**  
USPC ..... **D30/119**
- (58) **Field of Classification Search**  
USPC ..... D30/108–109, 112–117, 119;  
D19/96–97; 119/452–453, 459, 467,  
119/473–475, 702–704, 706–707;  
D21/511, 814  
See application file for complete search history.

- D358,620 S \* 5/1995 Hill et al. .... D21/511
- D390,905 S \* 2/1998 Eldon et al. .... D21/814
- D703,391 S \* 4/2014 Ganahl ..... D30/119

\* cited by examiner

*Primary Examiner* — Cathy A MacCormac  
(74) *Attorney, Agent, or Firm* — Michael J. Feigin, Esq.;  
Feigin & Associates, LLC

(57) **CLAIM**  
The ornamental design for the animal cage castle crown, as shown and described.

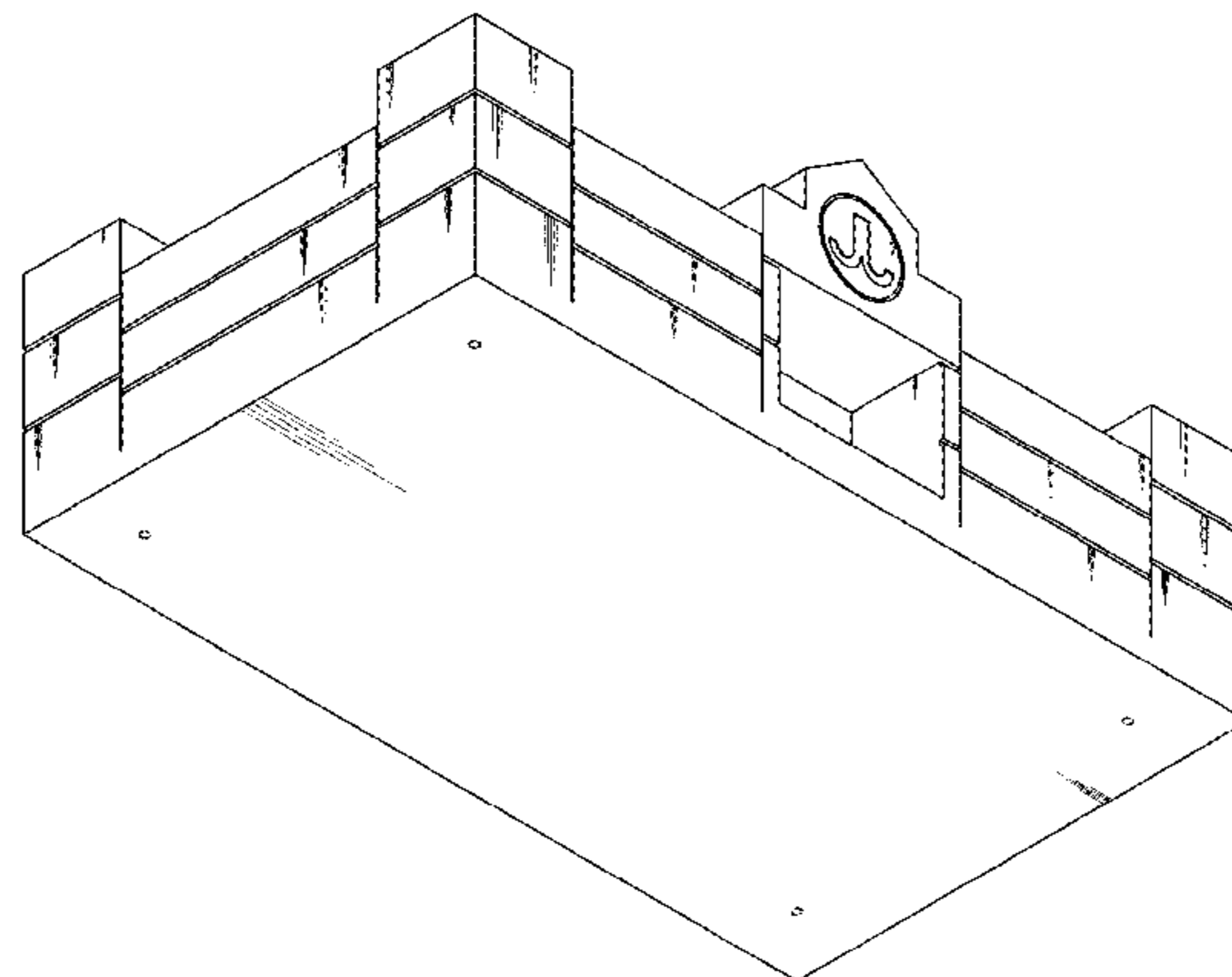
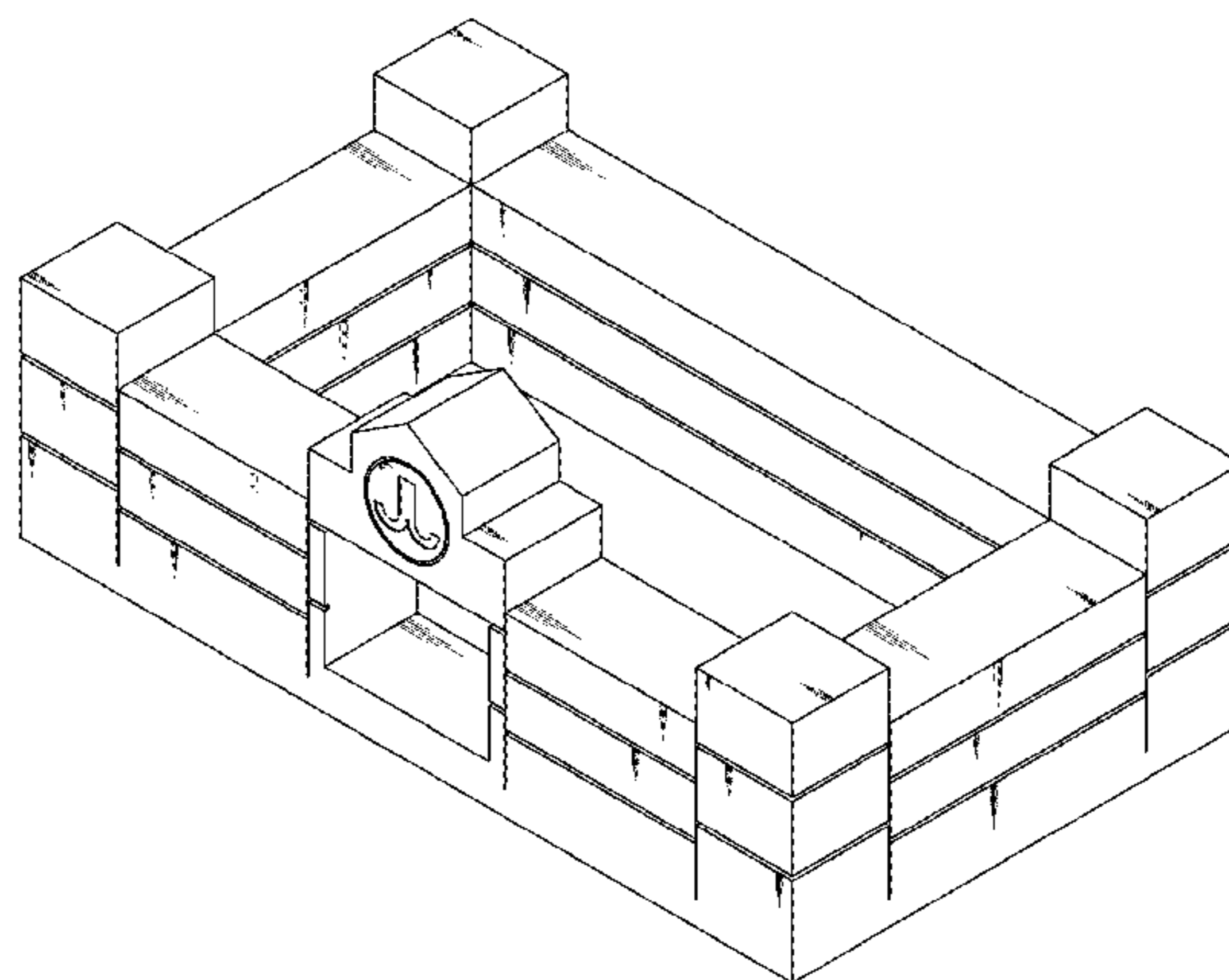
**DESCRIPTION**

FIG. 1 is a front view of the animal cage castle crown.  
FIG. 2 is a right side view thereof.  
FIG. 3 is a rear view thereof.  
FIG. 4 is a left side elevation view thereof.  
FIG. 5 is a top plan view thereof.  
FIG. 6 is a bottom plan view thereof.  
FIG. 7 is a top, front and right side perspective view thereof;  
and,  
FIG. 8 is a bottom, front and left side perspective view thereof.

(56) **References Cited**  
U.S. PATENT DOCUMENTS

- D309,538 S \* 7/1990 Prendergast et al. .... D6/455
- D311,463 S \* 10/1990 Prendergast ..... D6/455
- D318,587 S \* 7/1991 Keller ..... D6/491

**1 Claim, 4 Drawing Sheets**



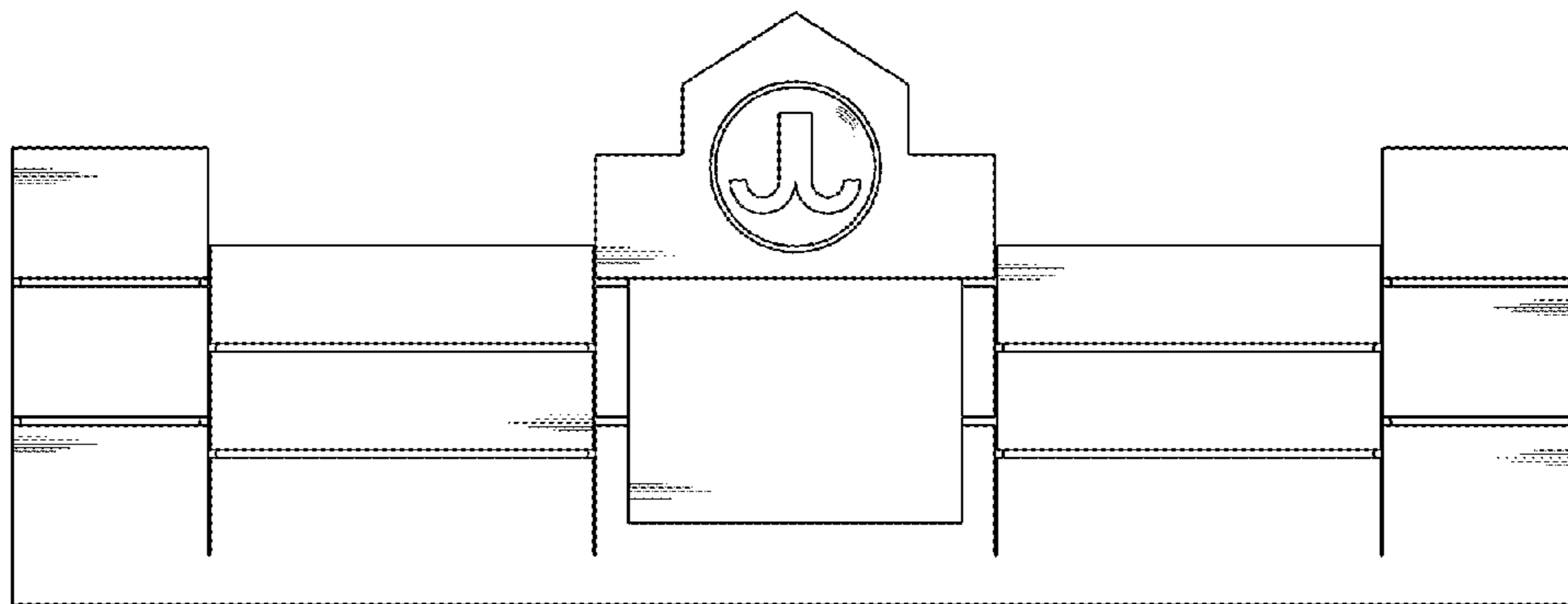


Figure 1

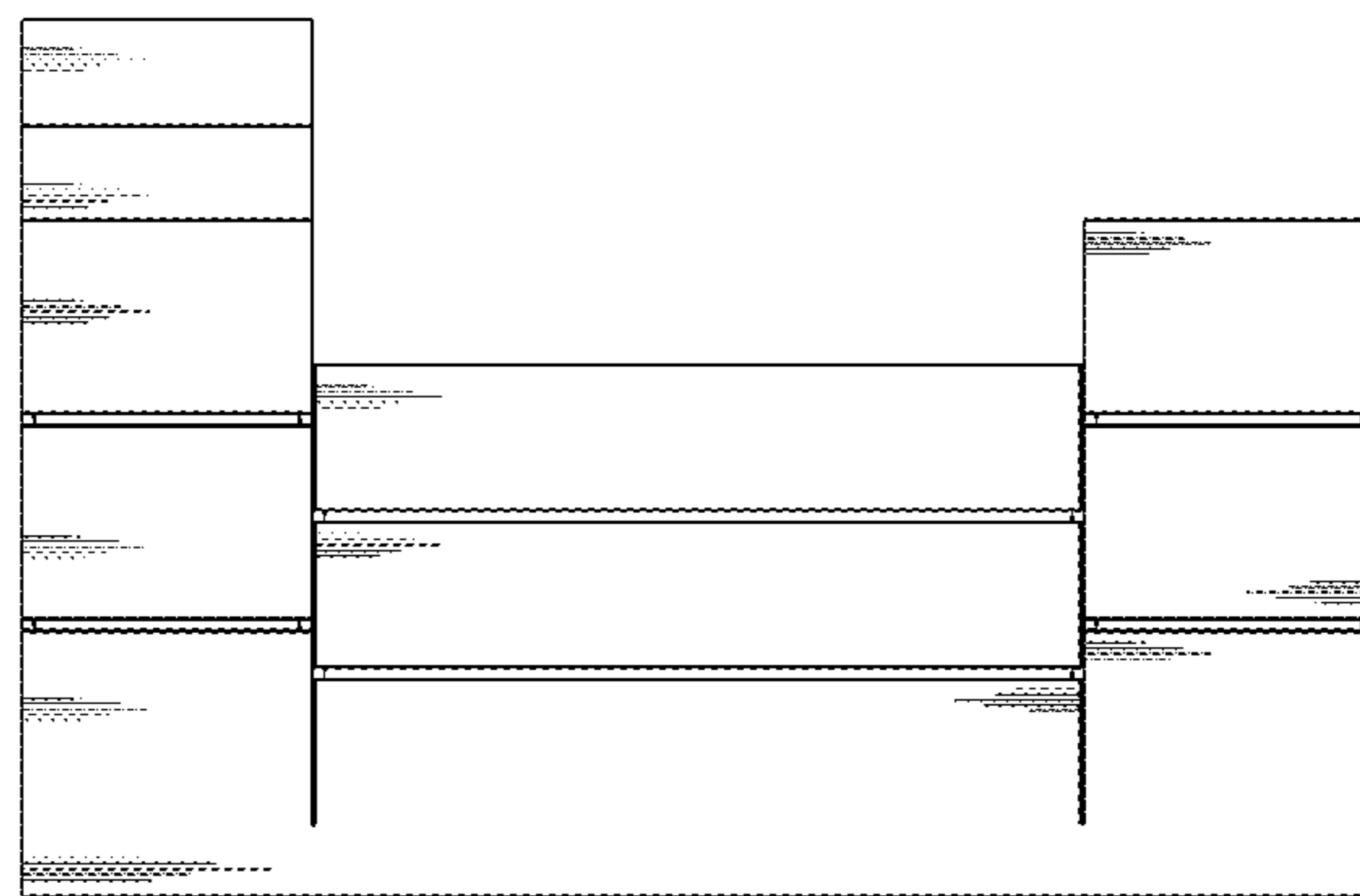


Figure 2

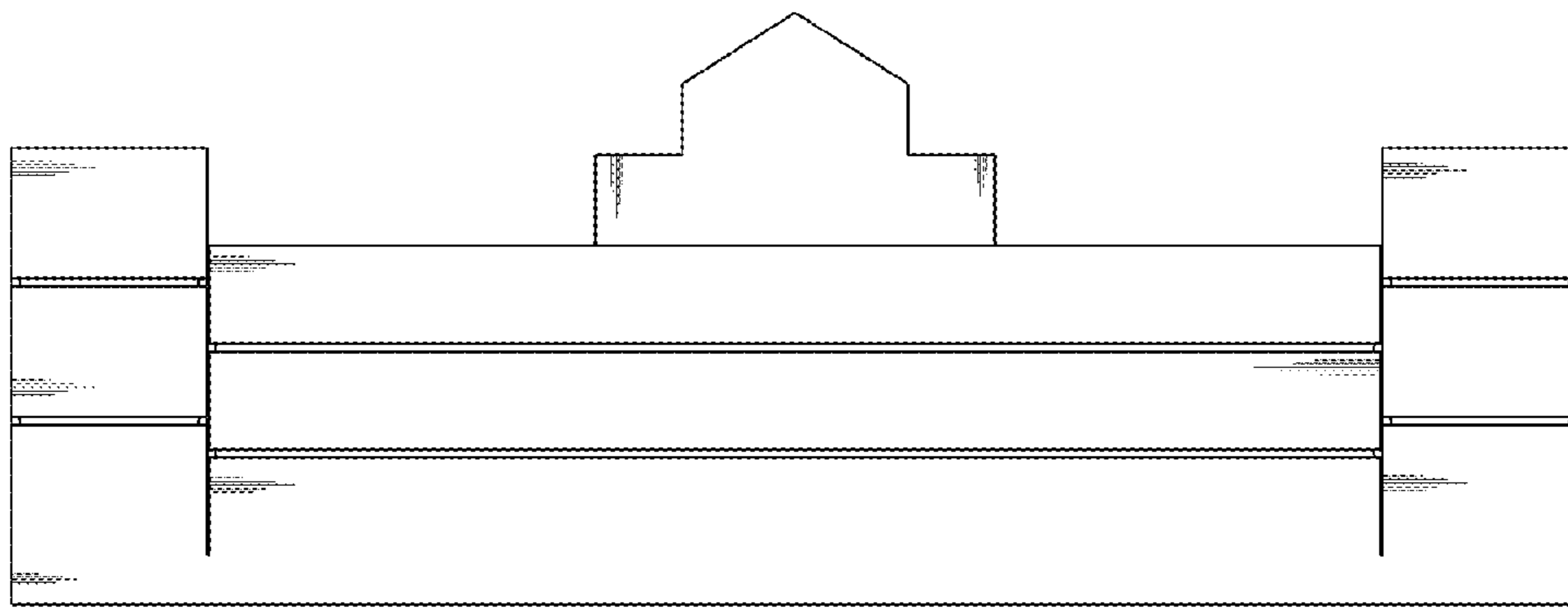


Figure 3

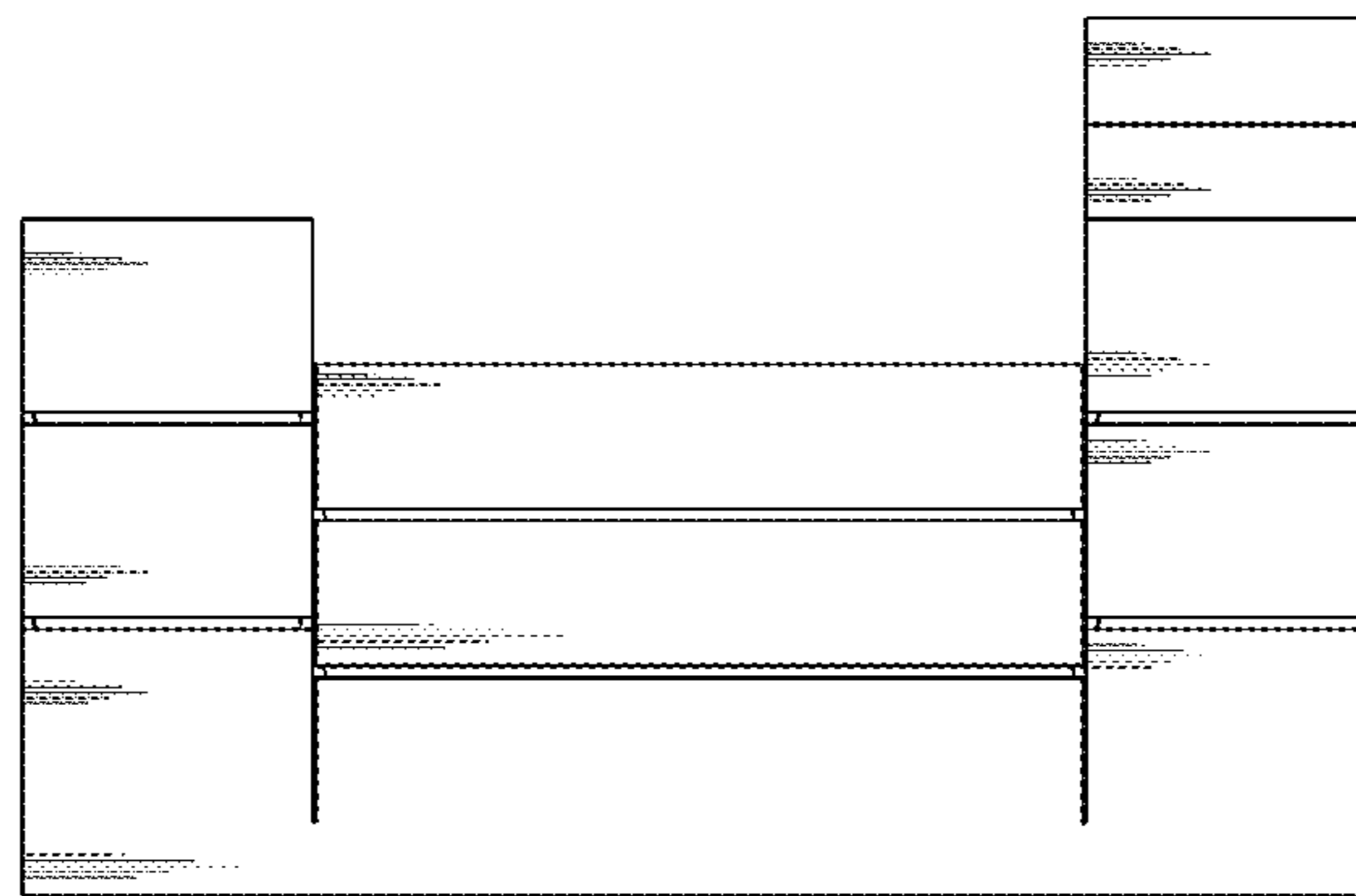


Figure 4

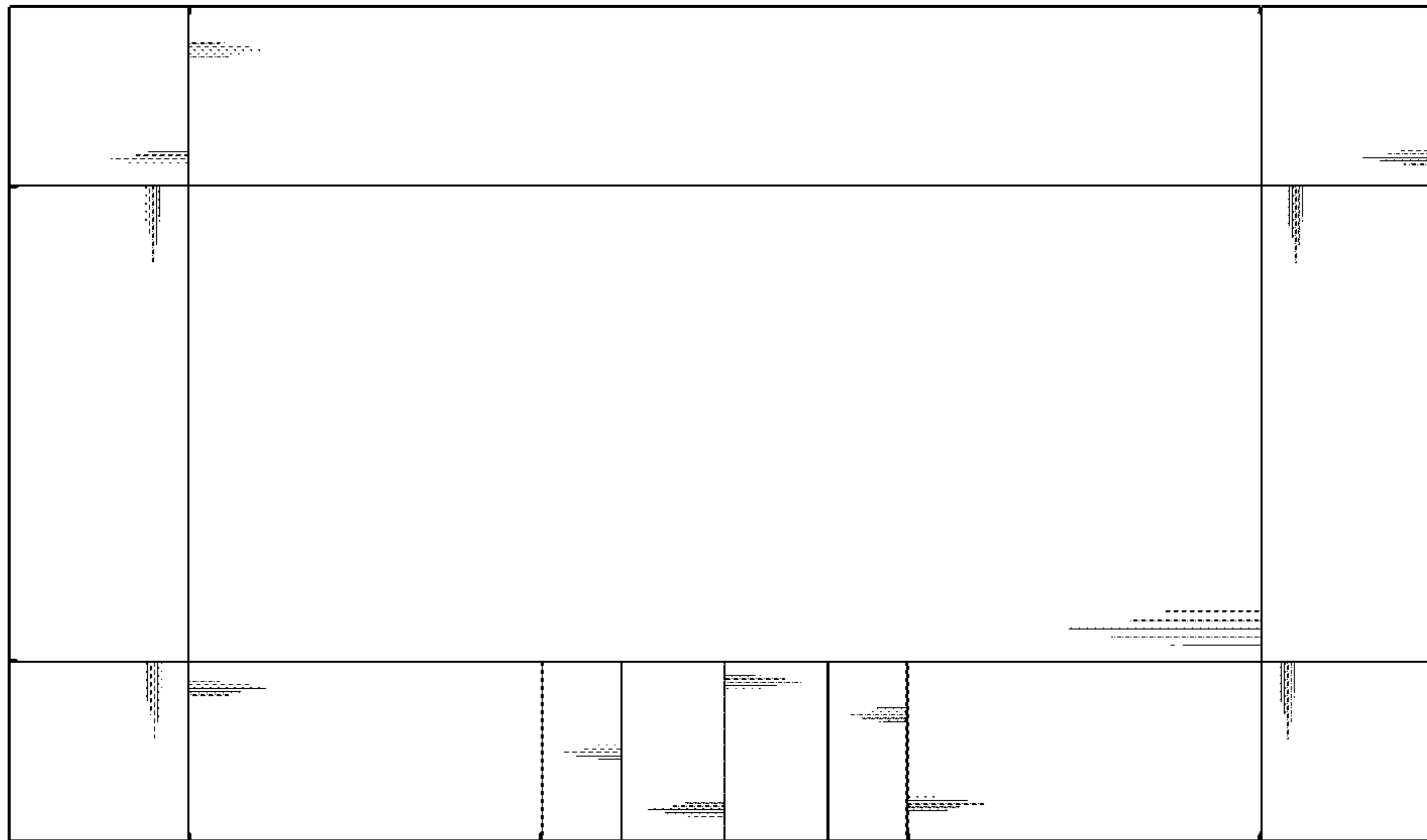


Figure 5



Figure 6

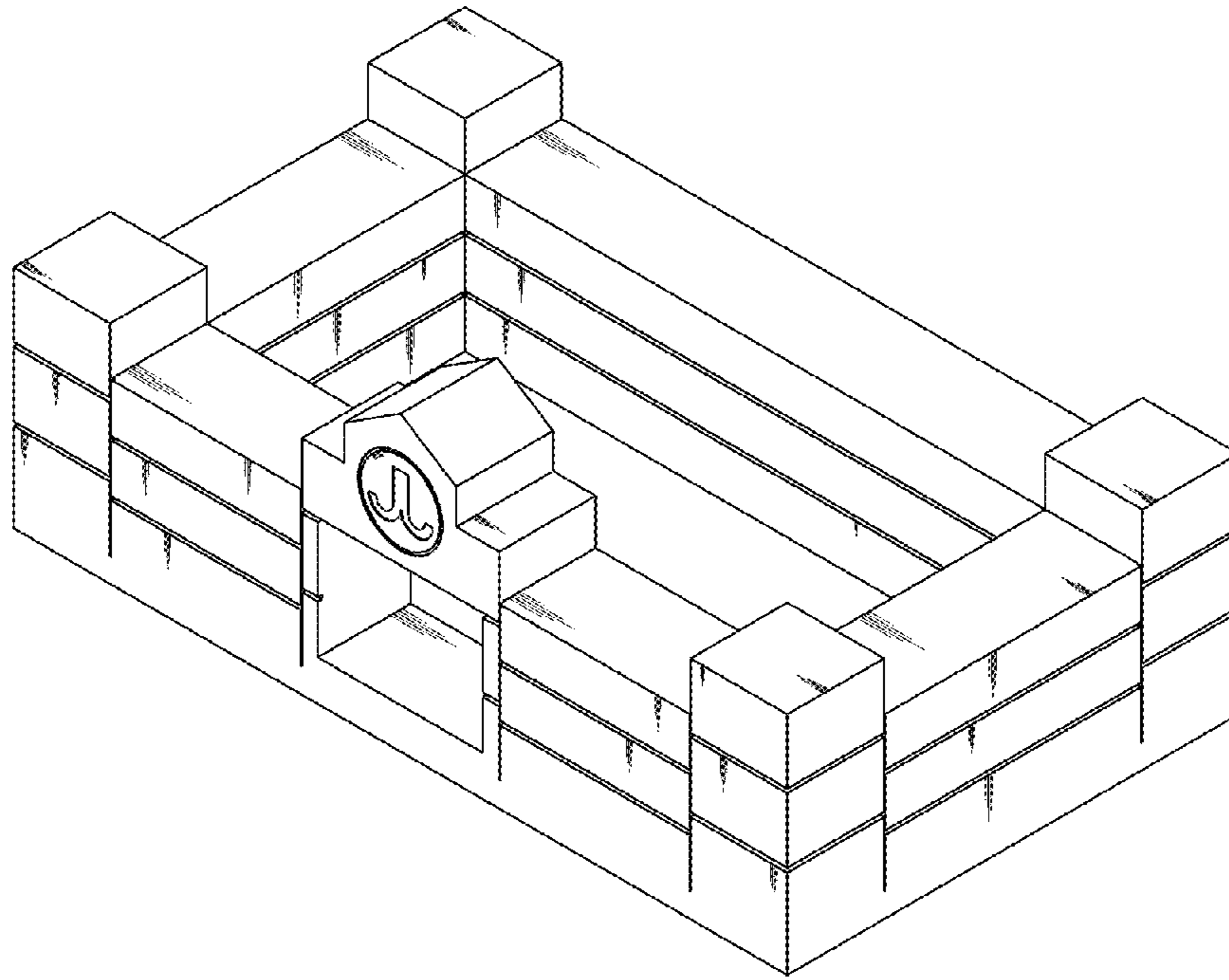


Figure 7

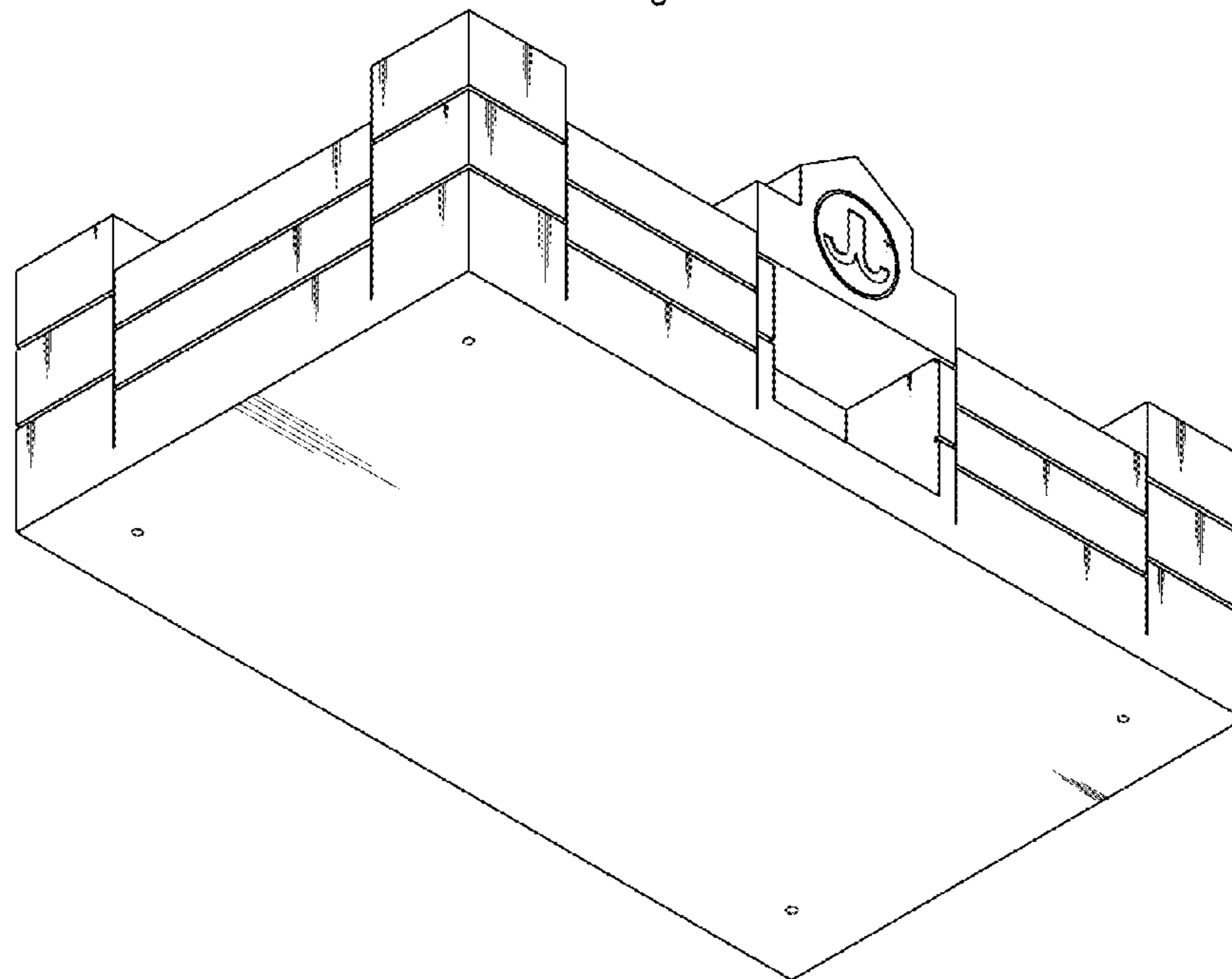


Figure 8