



US00D719304S

(12) **United States Design Patent**  
**Tadeja**

(10) **Patent No.:** **US D719,304 S**

(45) **Date of Patent:** **\*\* Dec. 9, 2014**

(54) **ANIMAL CAGE CROWN**

D342,633 S *	12/1993	Shields-Mijares et al. ....	D6/718.29
D354,409 S *	1/1995	Tatum et al. ....	D6/447
D441,226 S *	5/2001	Morrow et al. ....	D6/509
D703,391 S *	4/2014	Ganahl .....	D30/119

(71) Applicant: **Jonathan Tadeja**, Yonkers, NY (US)

(72) Inventor: **Jonathan Tadeja**, Yonkers, NY (US)

(\*\*) Term: **14 Years**

(21) Appl. No.: **29/489,604**

(22) Filed: **May 1, 2014**

(51) **LOC (10) Cl.** ..... **30-02**

(52) **U.S. Cl.**  
USPC ..... **D30/119**

(58) **Field of Classification Search**  
USPC ..... D30/108-109, 112-117, 119;  
D19/96-97; 119/452-453, 459, 467,  
119/473-475, 702-704, 706-707;  
D6/718.29; D21/511, 814  
See application file for complete search history.

(56) **References Cited**

**U.S. PATENT DOCUMENTS**

D250,687 S *	1/1979	Robelen .....	D6/503
D310,309 S *	9/1990	Prendergast .....	D6/455
D318,587 S *	7/1991	Keller .....	D6/491

\* cited by examiner

*Primary Examiner* — Cathy A MacCormac

(74) *Attorney, Agent, or Firm* — Michael J. Feigin, Esq.;  
Feigin & Associates, LLC

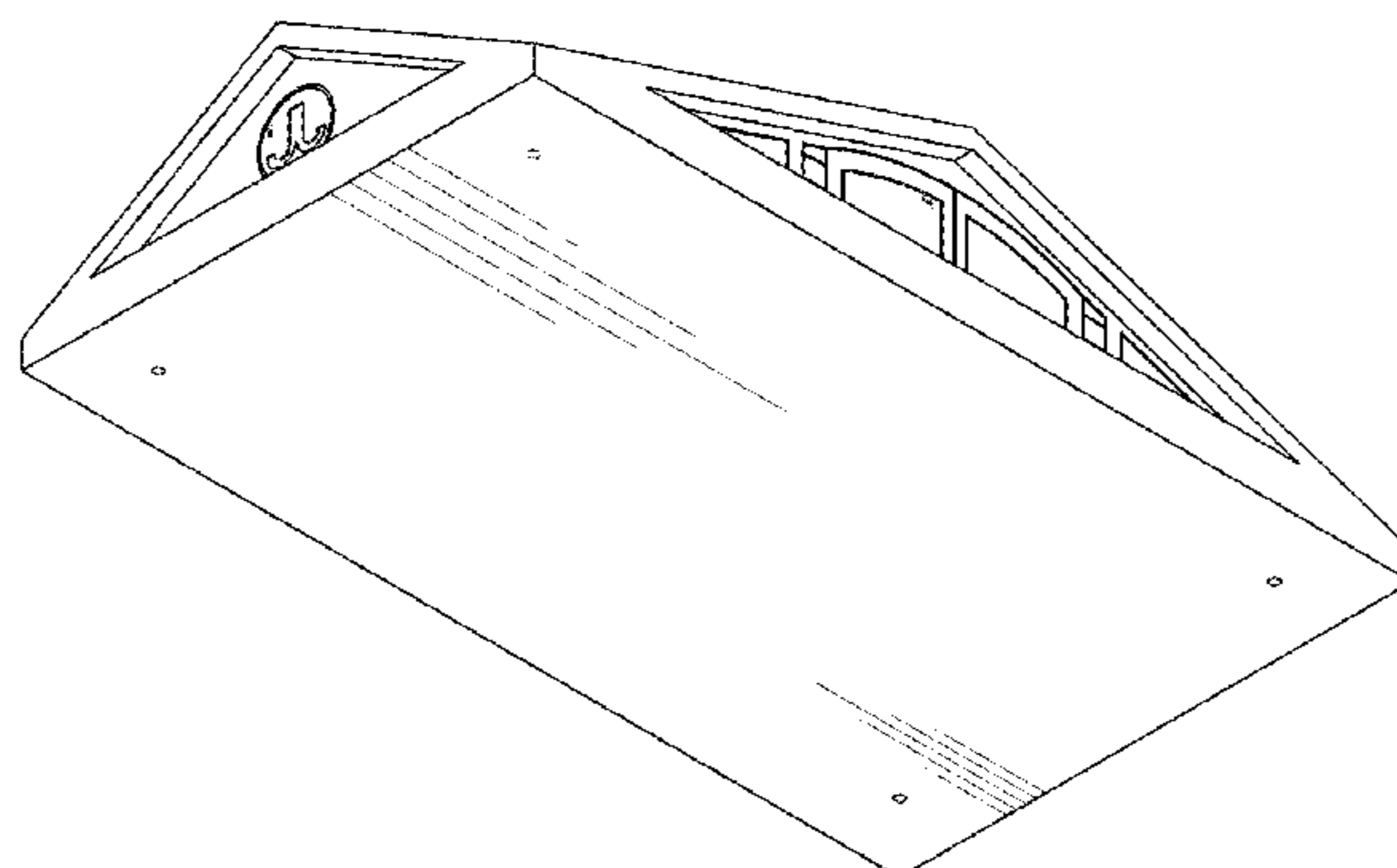
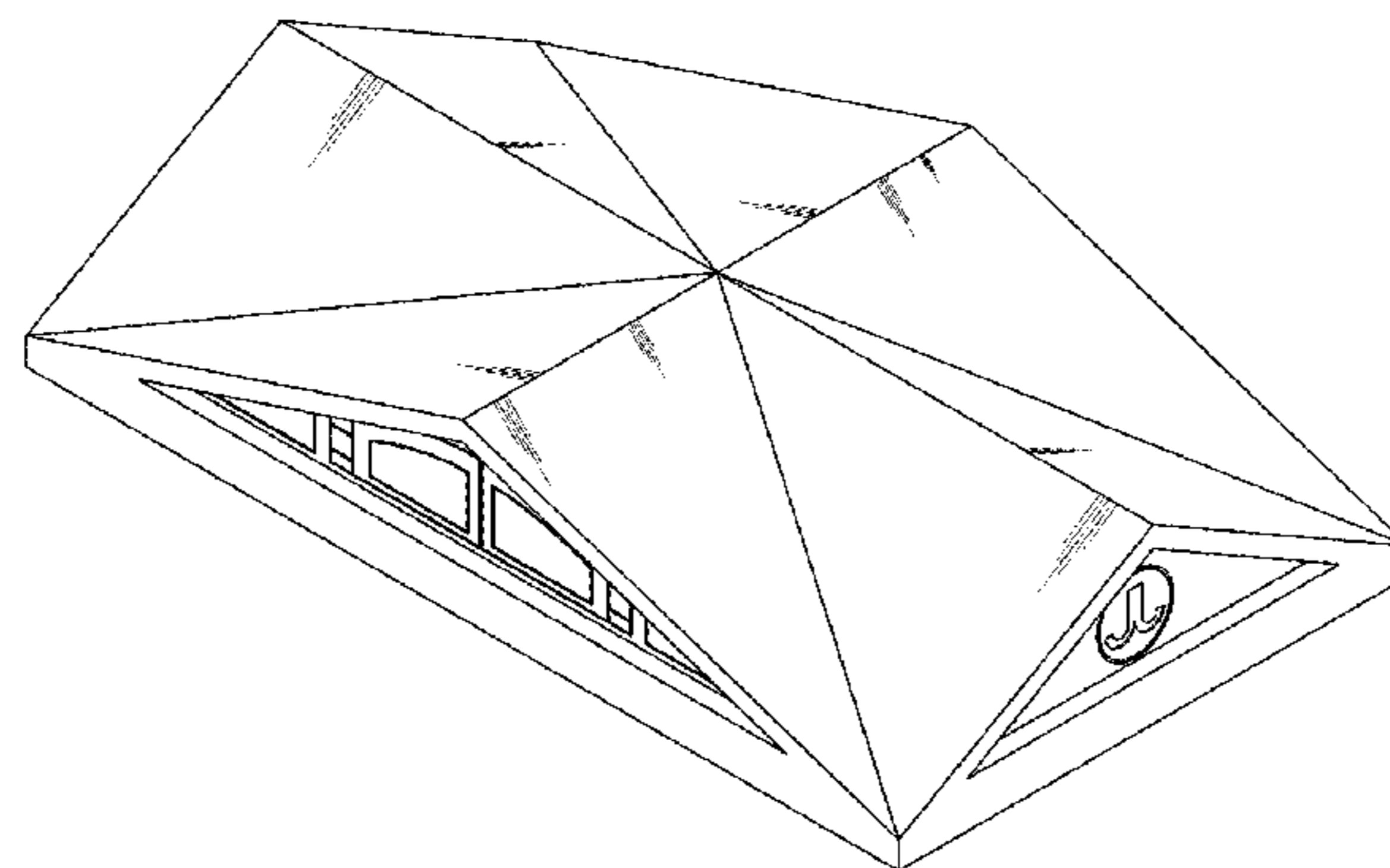
(57) **CLAIM**

The ornamental design for the animal cage crown, as shown and described.

**DESCRIPTION**

FIG. 1 is a rear view of the animal cage crown.  
 FIG. 2 is a left side view thereof.  
 FIG. 3 is a front view thereof.  
 FIG. 4 is a right side view thereof.  
 FIG. 5 is a top plan view thereof.  
 FIG. 6 is a bottom plan view thereof.  
 FIG. 7 is a top, rear and left side perspective view thereof; and,  
 FIG. 8 is a bottom, rear and right side perspective view thereof.

**1 Claim, 4 Drawing Sheets**



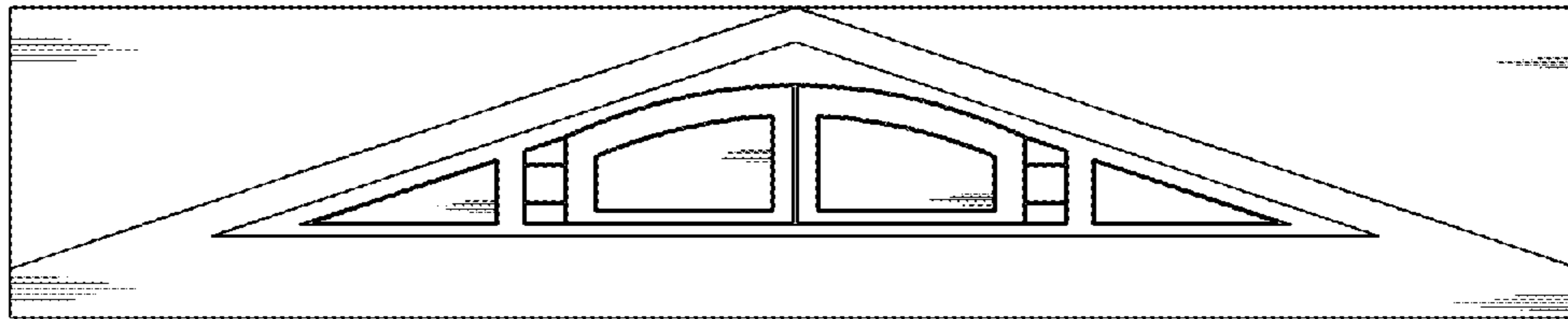


Figure 1

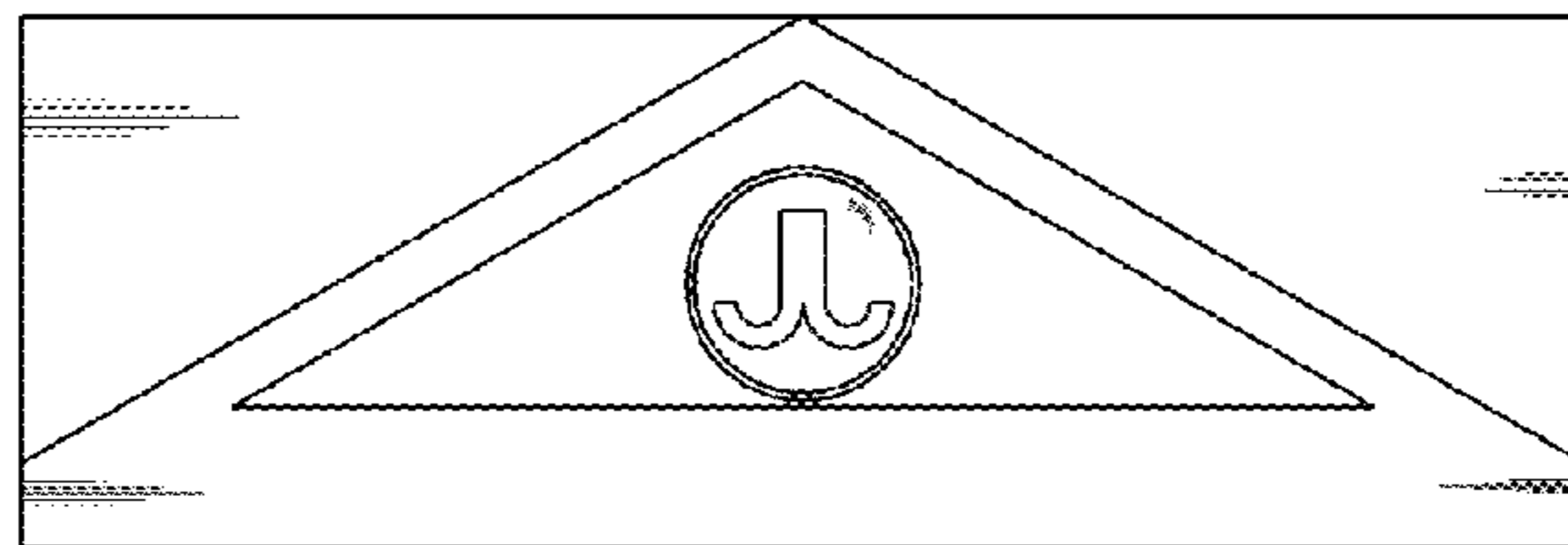


Figure 2

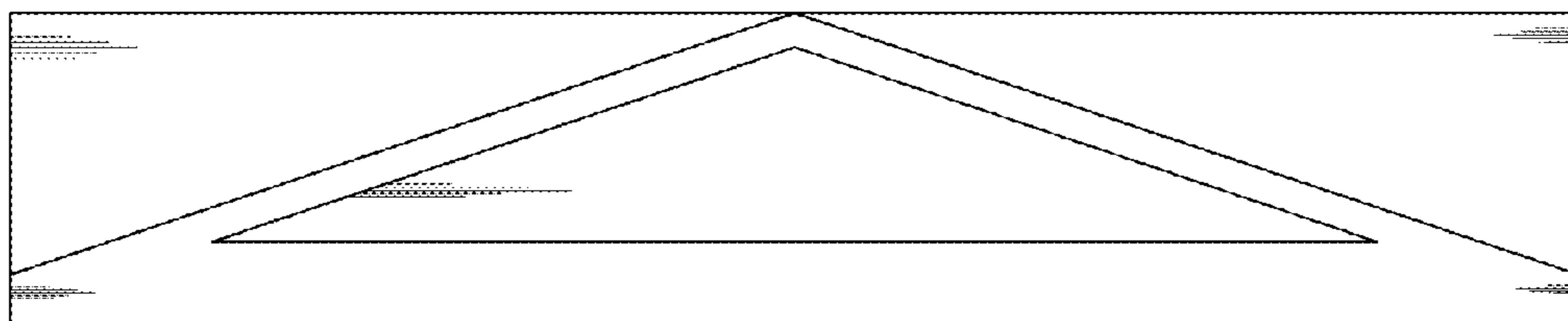


Figure 3

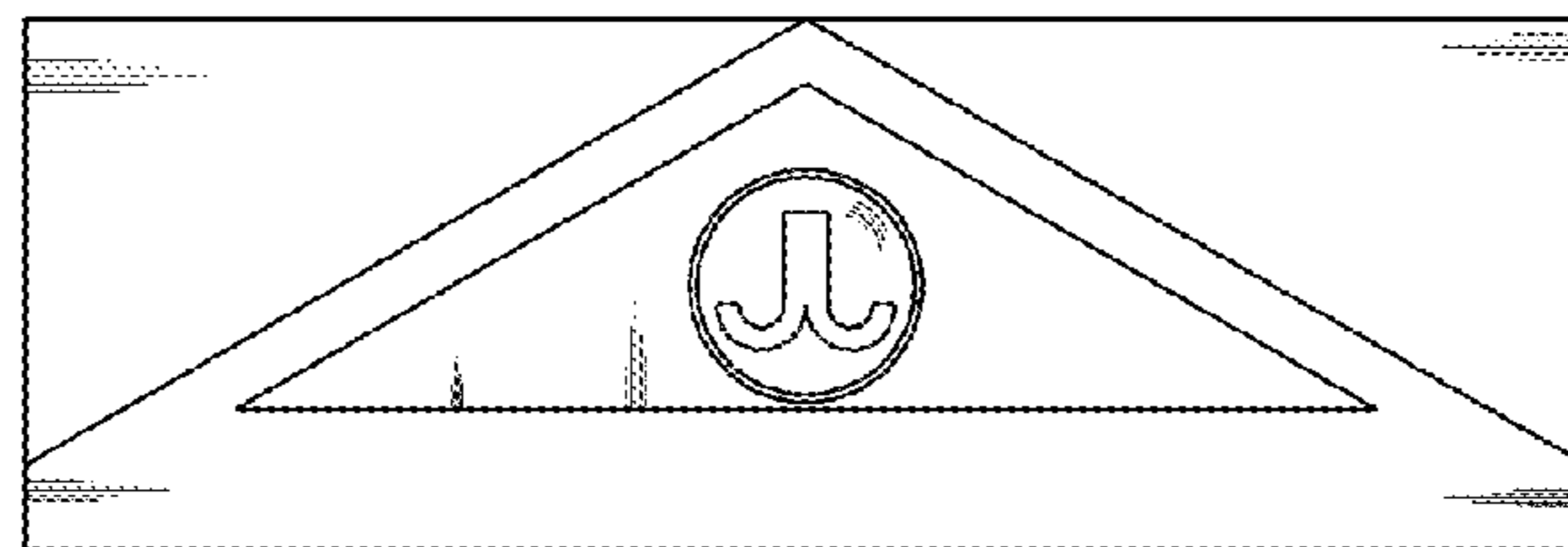


Figure 4

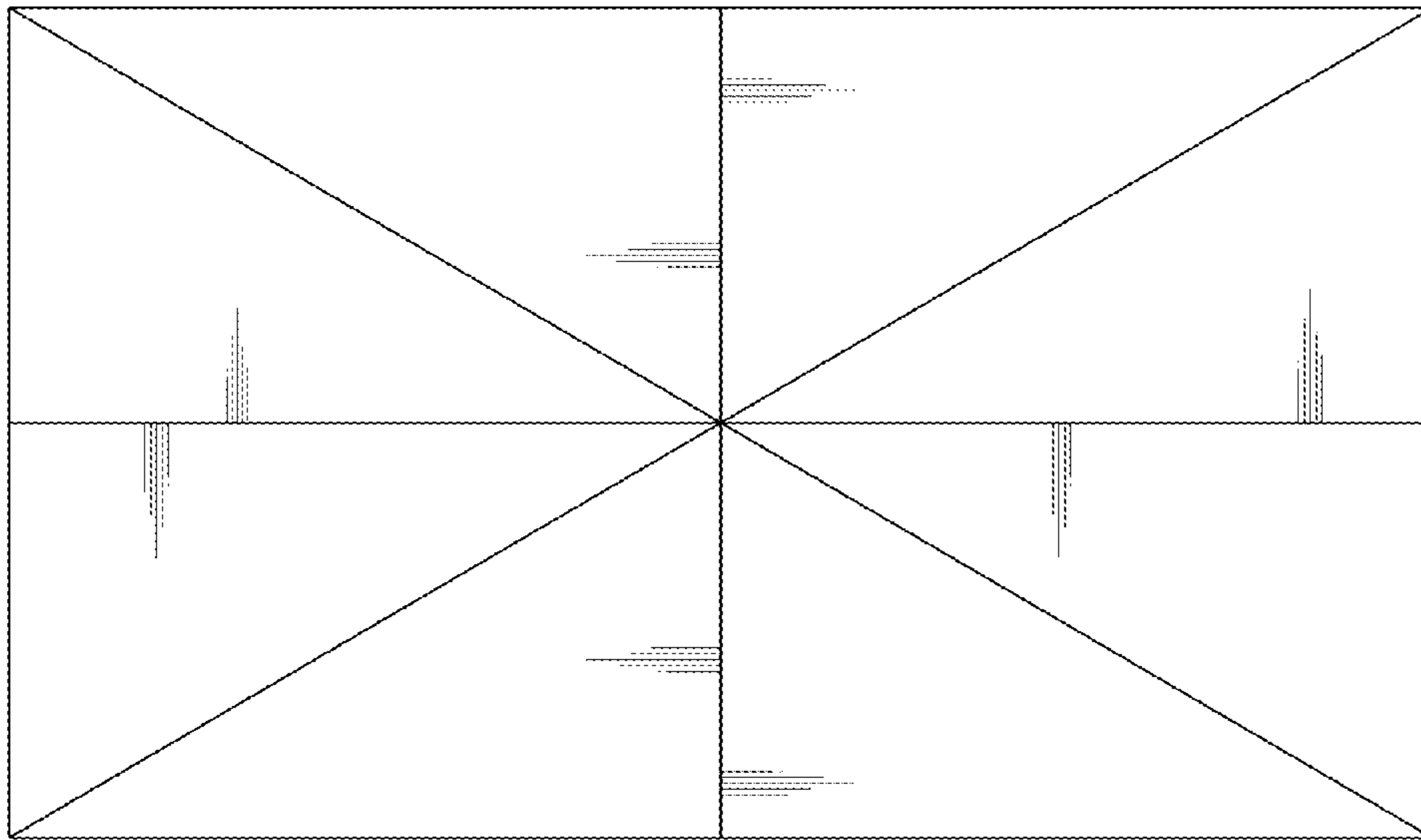


Figure 5

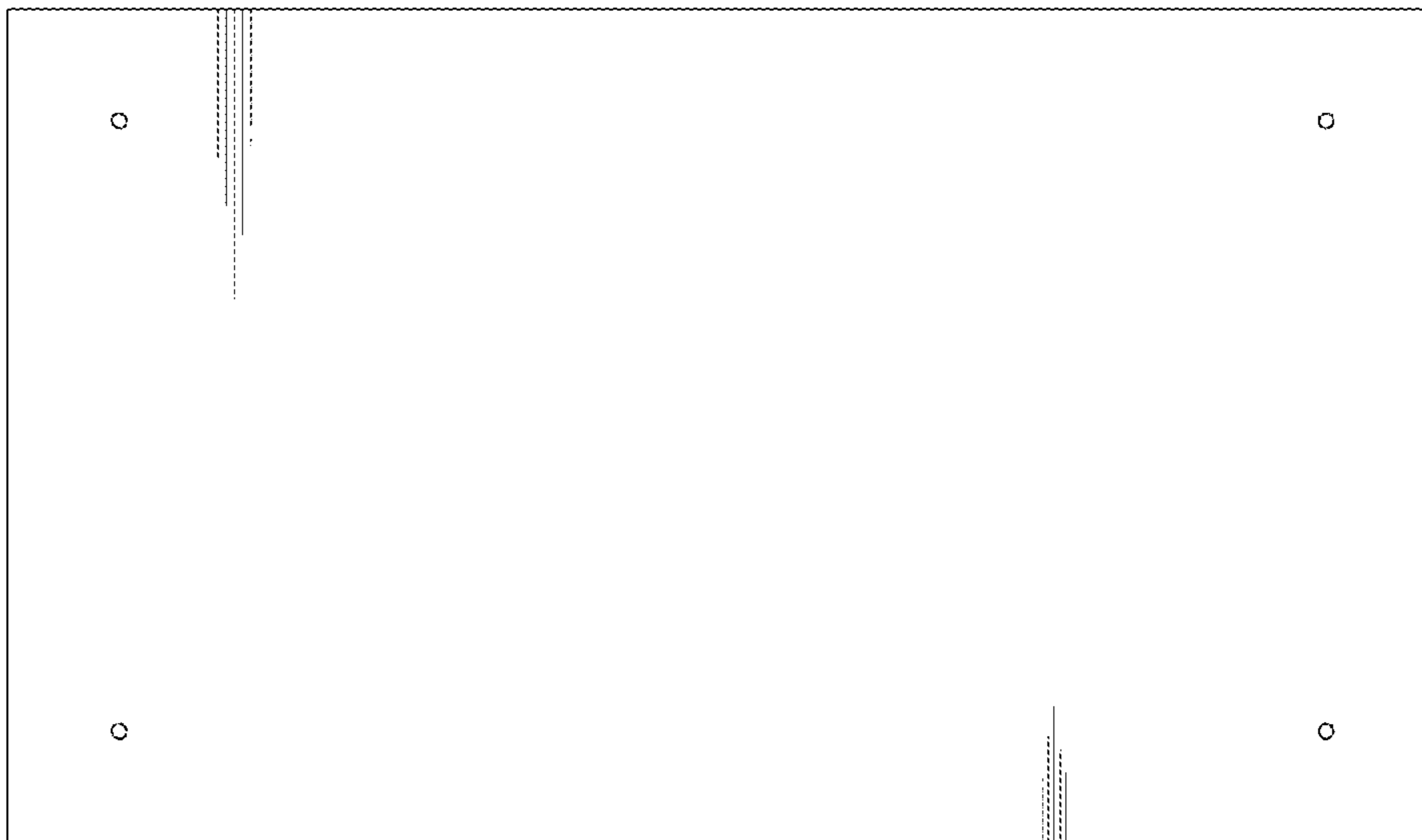


Figure 6

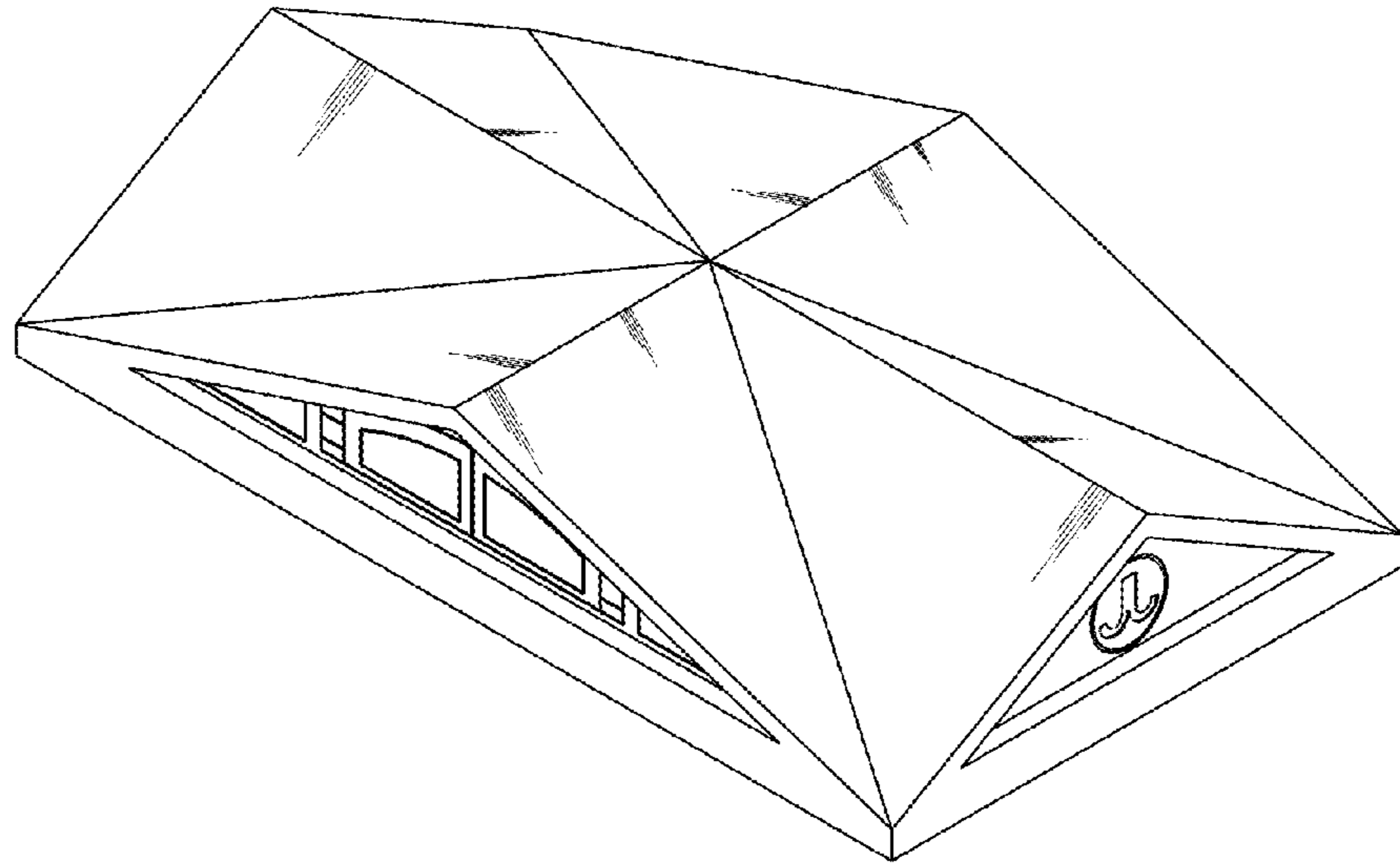


Figure 7

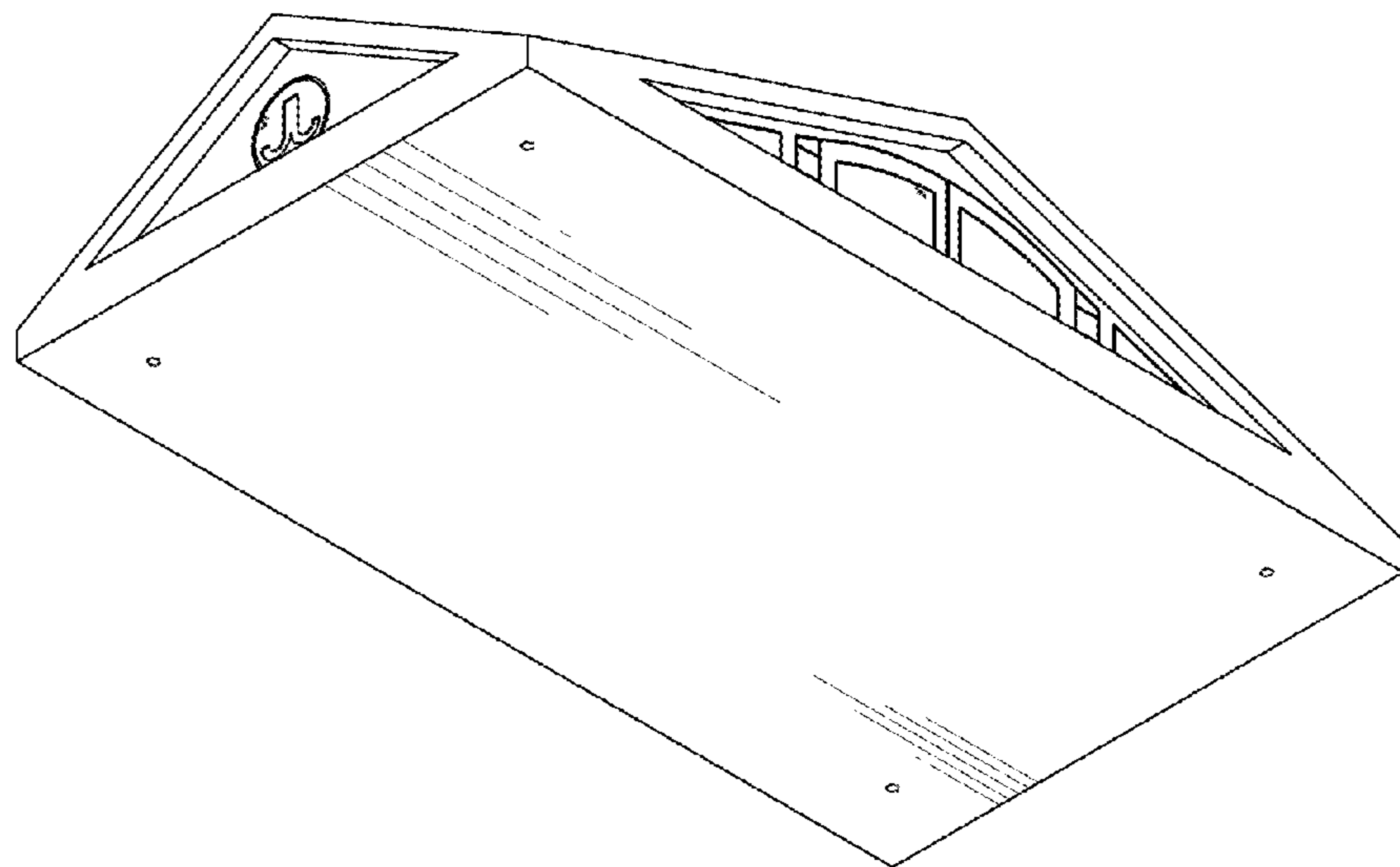


Figure 8