



US00D719296S

(12) **United States Design Patent**
Brady et al.

(10) **Patent No.:** **US D719,296 S**
(45) **Date of Patent:** **** Dec. 9, 2014**

(54) **HAIR IRON**

(56) **References Cited**

(71) Applicant: **Jemella Group Limited**, Leeds (GB)

U.S. PATENT DOCUMENTS

(72) Inventors: **Daniel Brady**, Berkshire (GB); **Rupert Charles Thomas Shreeve**, London (GB); **Stephen Anthony Sayers**, Buckinghamshire (GB)

D512,180	S	*	11/2005	Maletti	D28/35
D596,796	S	*	7/2009	Keong et al.	D28/35
D596,801	S	*	7/2009	Keong	D28/35
D627,513	S	*	11/2010	Kim	D28/35
D632,428	S	*	2/2011	Kim	D28/35
D646,022	S	*	9/2011	Schmitz	D28/35
D651,743	S	*	1/2012	Kim	D28/35
D682,468	S	*	5/2013	Kim	D28/35
2011/0079237	A1	*	4/2011	Price	132/224
2011/0226278	A1	*	9/2011	Rivola	132/232
2013/0192625	A1	*	8/2013	Migliori et al.	132/211

(73) Assignee: **Jemella Group Limited**, Leeds (GB)

(**) Term: **14 Years**

* cited by examiner

(21) Appl. No.: **29/462,859**

Primary Examiner — Jennifer Rivard

(22) Filed: **Aug. 9, 2013**

(74) *Attorney, Agent, or Firm* — Michael J. Brown

(30) **Foreign Application Priority Data**

(57) **CLAIM**

The ornamental design for a hair iron, as shown and described.

Feb. 14, 2013 (EM) 002184770-0001

DESCRIPTION

(51) **LOC (10) Cl.** **28-03**

FIG. 1 is a perspective view of the new ornamental hair iron of the present invention.

(52) **U.S. Cl.**
USPC **D28/35**

FIG. 2 is a left side view thereof, the right side being a mirror image thereof.

(58) **Field of Classification Search**
USPC D28/35, 37, 10; 219/222; 132/210, 211,
132/223-269, 271-272

FIG. 3 is a top view thereof.

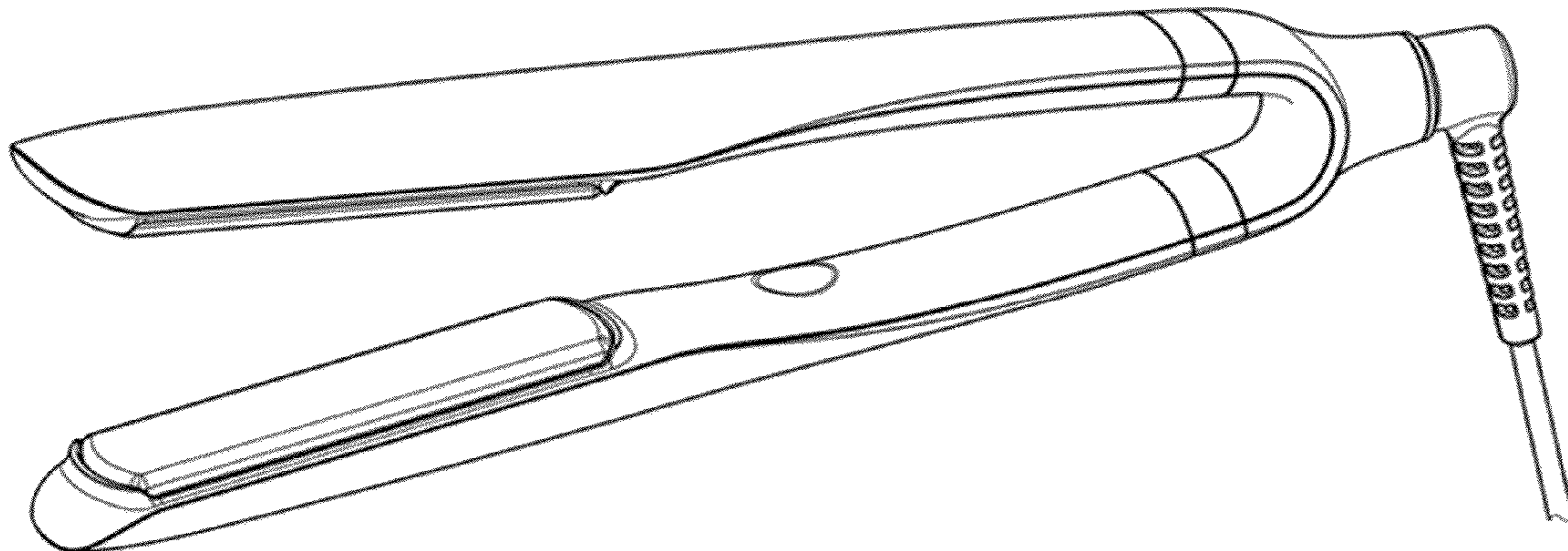
FIG. 4 is a bottom view thereof.

FIG. 5 is a front end view thereof; and,

FIG. 6 is a rear end view thereof.

See application file for complete search history.

1 Claim, 3 Drawing Sheets



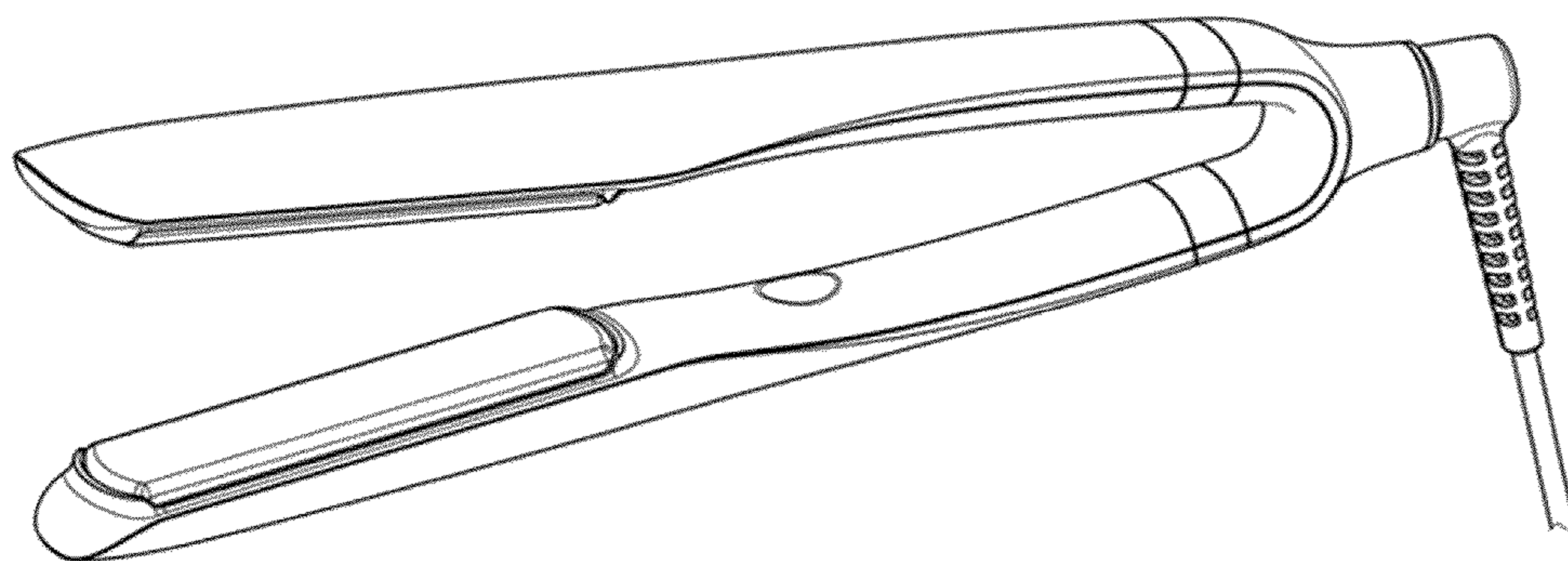


Fig. 1

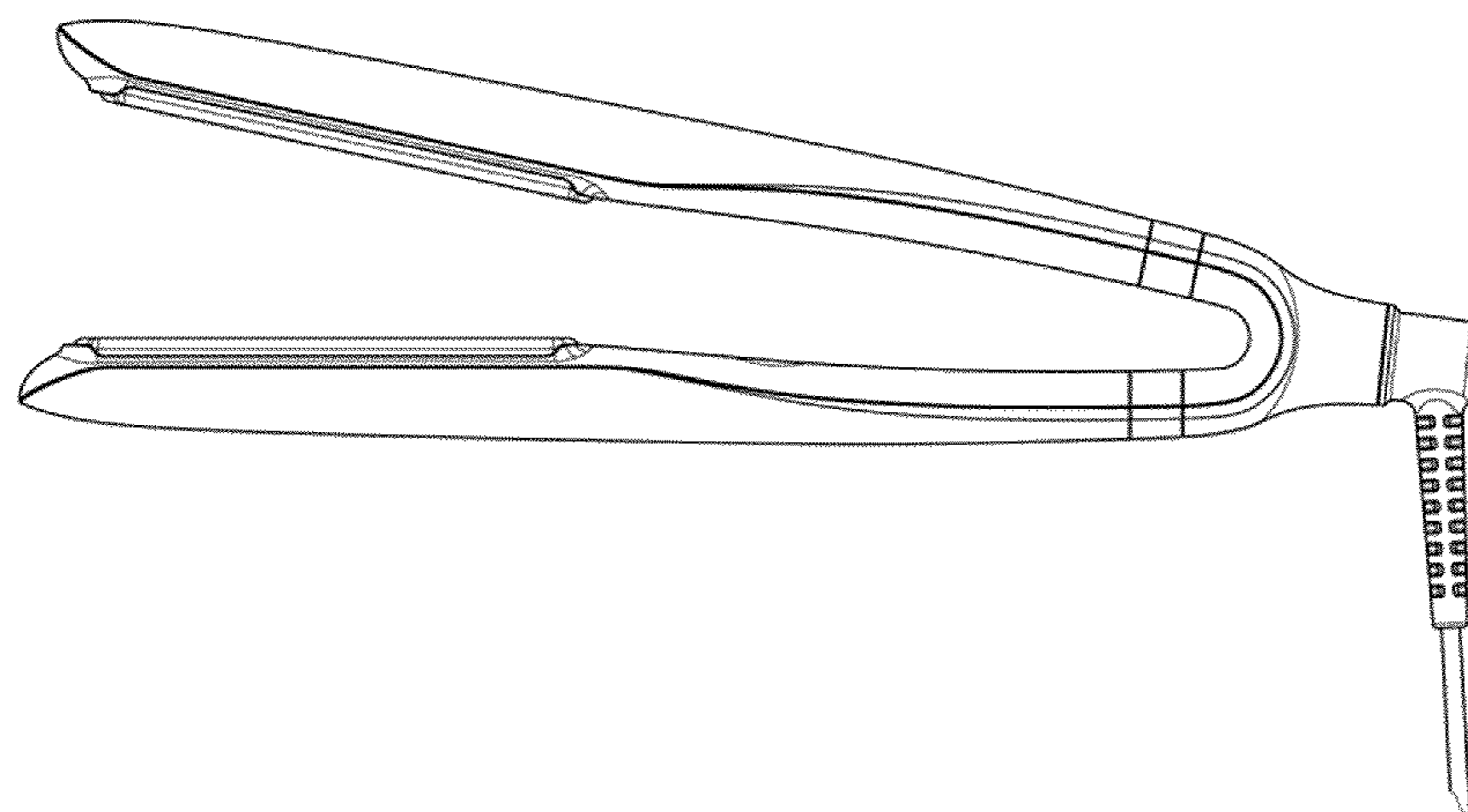


Fig. 2

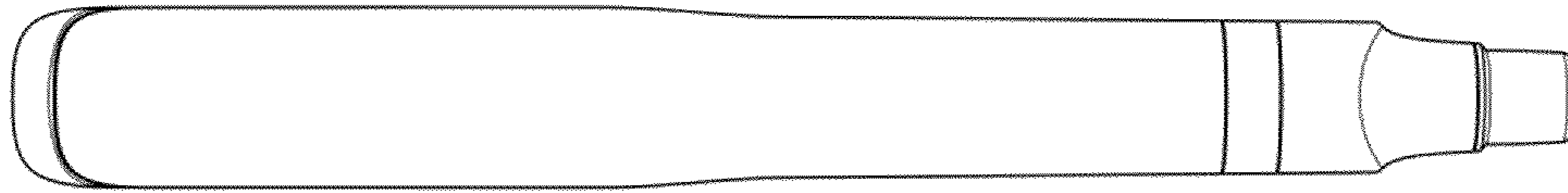


Fig. 3

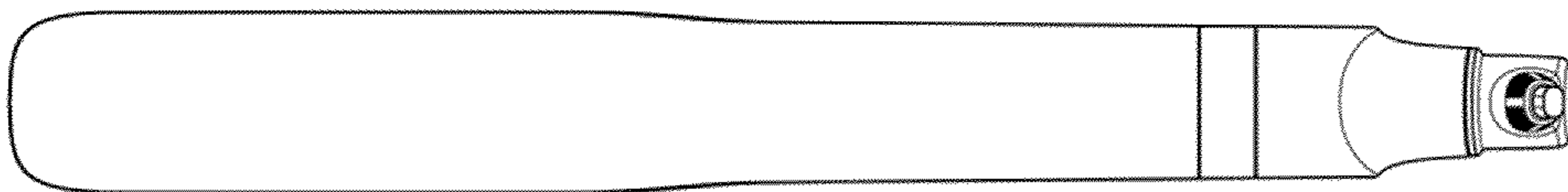


Fig. 4

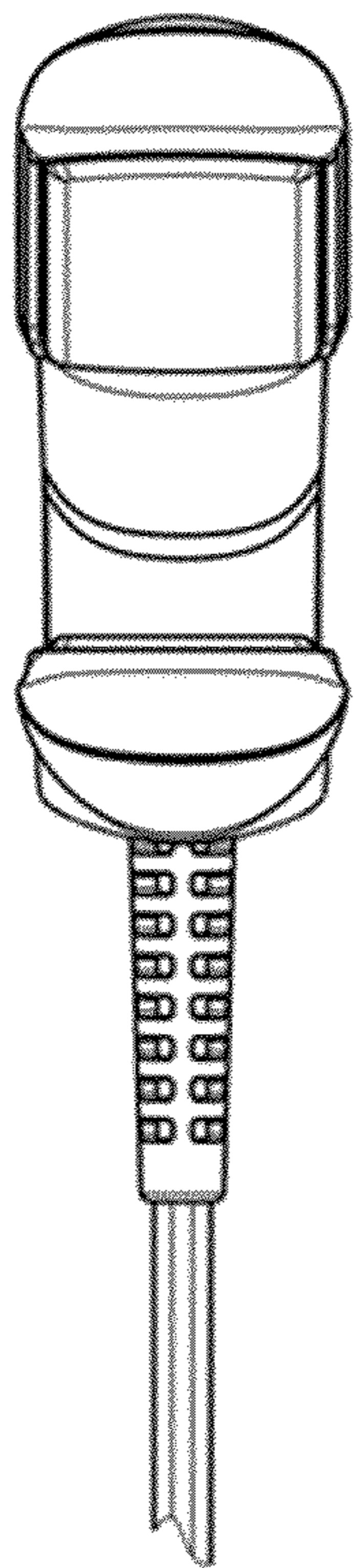


Fig. 5

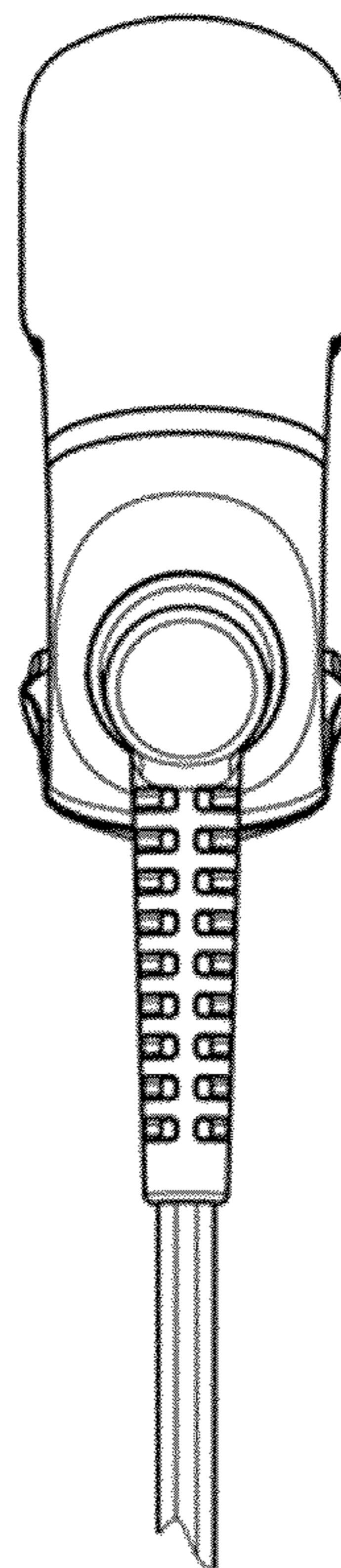


Fig. 6