



US00D719295S

(12) **United States Design Patent**
Hsu

(10) **Patent No.:** **US D719,295 S**
(45) **Date of Patent:** **** Dec. 9, 2014**

- (54) **HAIRCOMB**
- (71) Applicant: **Shih-Ling Hsu**, Tainan (TW)
- (72) Inventor: **Shih-Ling Hsu**, Tainan (TW)
- (**) Term: **14 Years**
- (21) Appl. No.: **29/477,674**
- (22) Filed: **Dec. 24, 2013**
- (51) **LOC (10) Cl.** **28-03**
- (52) **U.S. Cl.**
CPC **A45D 24/00** (2013.01)
USPC **D28/21**
- (58) **Field of Classification Search**
CPC **A45D 24/00**
USPC **D28/7, 20-34; 132/53, 112, 126, 150,**
132/208, 219.216; D32/49; 15/142, 143.1;
D30/158, 159
See application file for complete search history.

- D403,809 S * 1/1999 Stephens et al. D28/21
- D405,228 S * 2/1999 Lucero D28/25
- D406,391 S * 3/1999 Lucero D28/25
- D434,539 S * 11/2000 Brodbeck D32/42
- D477,688 S * 7/2003 Cheung D28/21
- D575,000 S * 8/2008 Warnett D28/21

* cited by examiner

Primary Examiner — Zenia Bennett

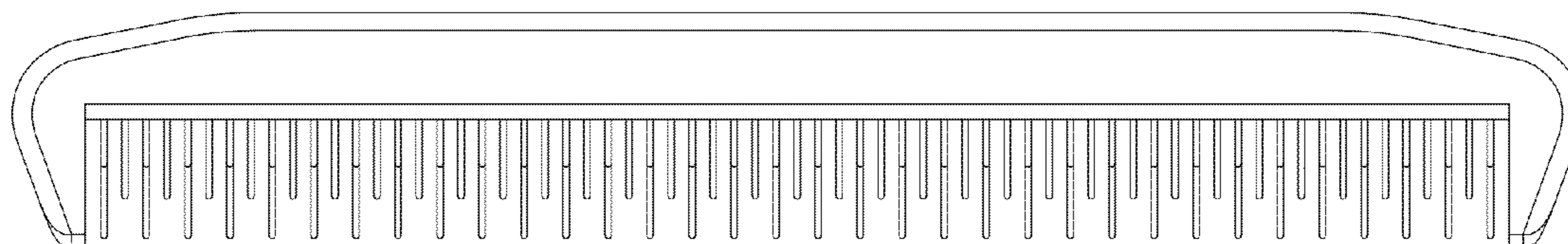
(57) **CLAIM**
The ornamental design for a haircomb, as shown and described.

DESCRIPTION

FIG. 1 is a perspective view of a haircomb showing my new design thereof;
FIG. 2 is a front elevational view thereof;
FIG. 3 is a rear elevational view thereof;
FIG. 4 is a left side elevational view thereof;
FIG. 5 is a right side elevational view thereof;
FIG. 6 is a top plan view thereof; and,
FIG. 7 is a bottom plan view thereof.

1 Claim, 7 Drawing Sheets

- (56) **References Cited**
U.S. PATENT DOCUMENTS
3,628,545 A * 12/1971 Moody 132/219
D247,823 S * 5/1978 Romani D28/21



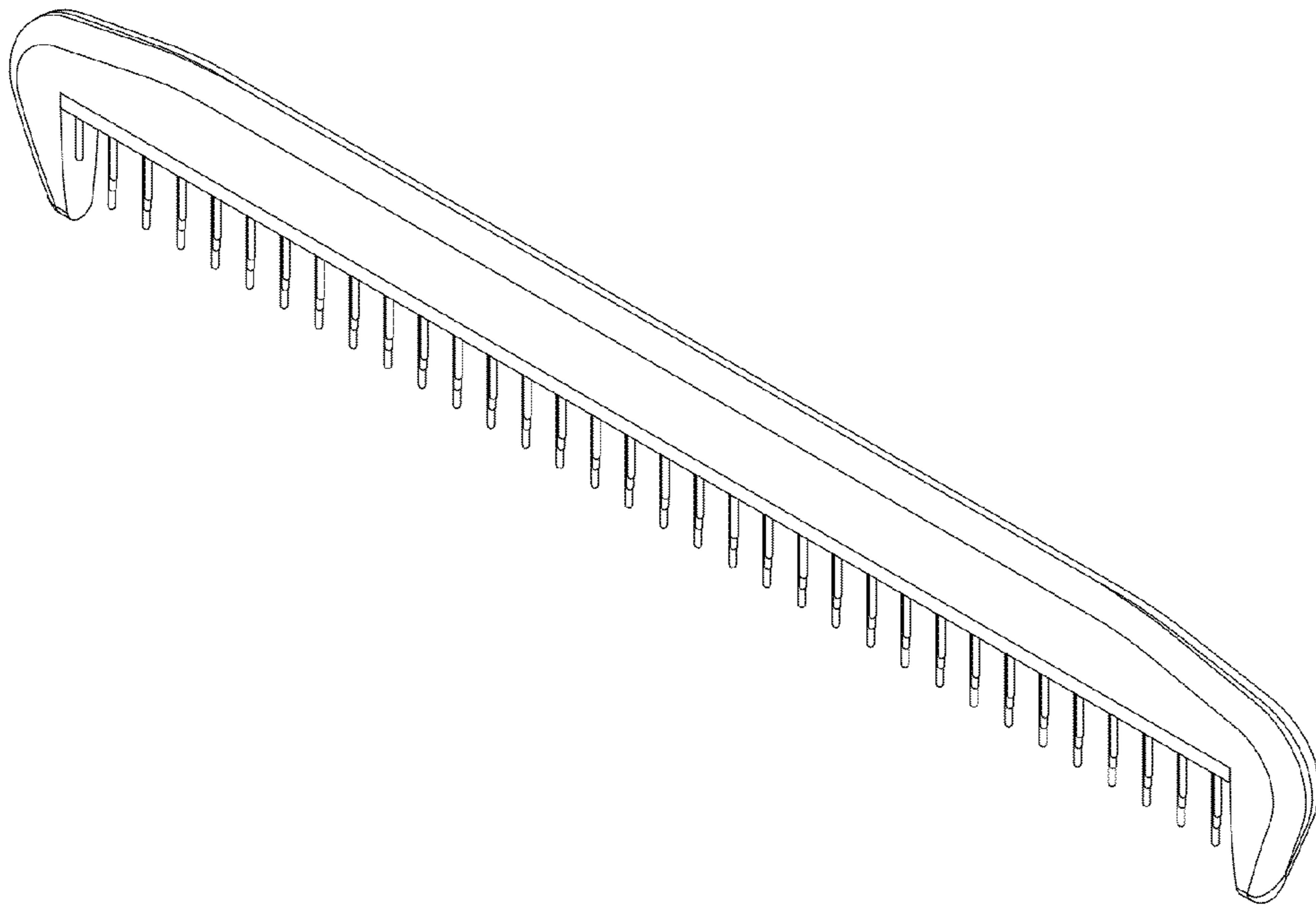


FIG. 1

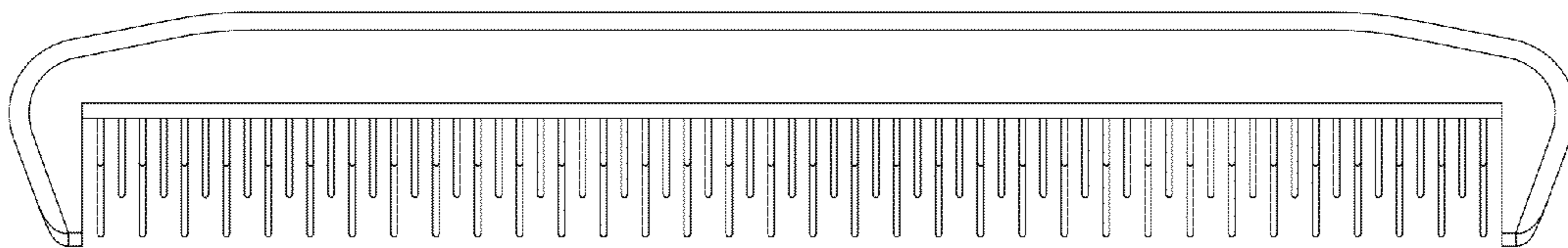


FIG. 2

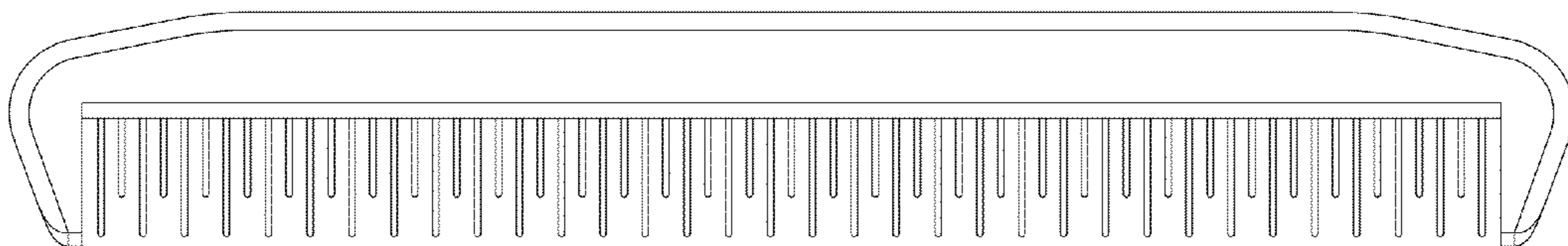


FIG. 3



FIG. 4



FIG. 5

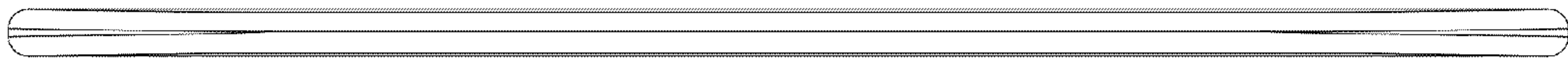


FIG. 6

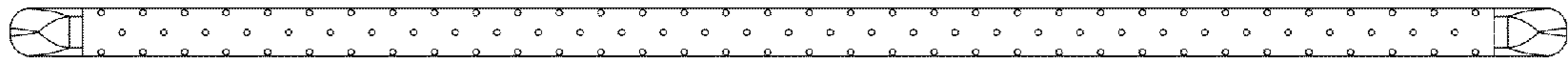


FIG. 7