



US00D719291S

(12) **United States Design Patent**
Thomas

(10) **Patent No.:** **US D719,291 S**

(45) **Date of Patent:** **** Dec. 9, 2014**

(54) **BEER TOWER LAMP**

D630,371 S * 1/2011 Bryant D26/94
D694,055 S * 11/2013 Hirst D7/313

(71) Applicant: **Gerald Thomas**, Bay Village, OH (US)

* cited by examiner

(72) Inventor: **Gerald Thomas**, Bay Village, OH (US)

Primary Examiner — Brian N Vinson

(**) Term: **14 Years**

(74) *Attorney, Agent, or Firm* — QuickPatents; Kevin Prince

(21) Appl. No.: **29/433,080**

(57) **CLAIM**

I claim the ornamental design for a beer tower lamp, as shown and described.

(22) Filed: **Sep. 25, 2012**

(51) **LOC (10) Cl.** **26-03**

(52) **U.S. Cl.**

USPC **D26/94**

(58) **Field of Classification Search**

CPC F21S 13/12; F21V 15/01; F21V 33/00;
F21V 21/145

USPC D26/94; D7/300, 313; 362/458, 806,
362/101, 253, 362, 382

See application file for complete search history.

DESCRIPTION

FIG. 1 is a perspective view of a beer tower lamp, showing my new design;

FIG. 2 is a left-side elevational view thereof;

FIG. 3 is a right-side elevational view thereof;

FIG. 4 is a front elevational view thereof;

FIG. 5 is a rear elevational view thereof;

FIG. 6 is a top plan view thereof; and,

FIG. 7 is a bottom plan view thereof.

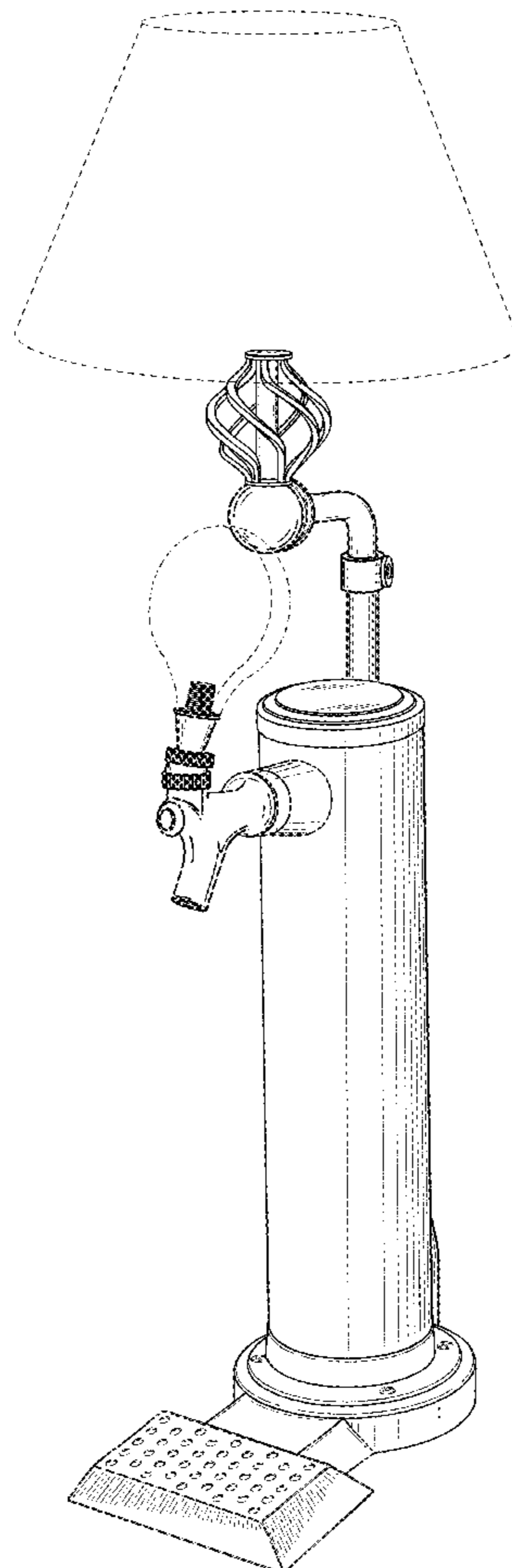
The broken lines showing a lamp shade in the figures and a tap pull in FIG. 1 depict environmental matter and form no part of the claimed design.

(56) **References Cited**

U.S. PATENT DOCUMENTS

D543,768 S * 6/2007 Ford D7/313
D558,370 S * 12/2007 Mohammed D26/94

1 Claim, 5 Drawing Sheets



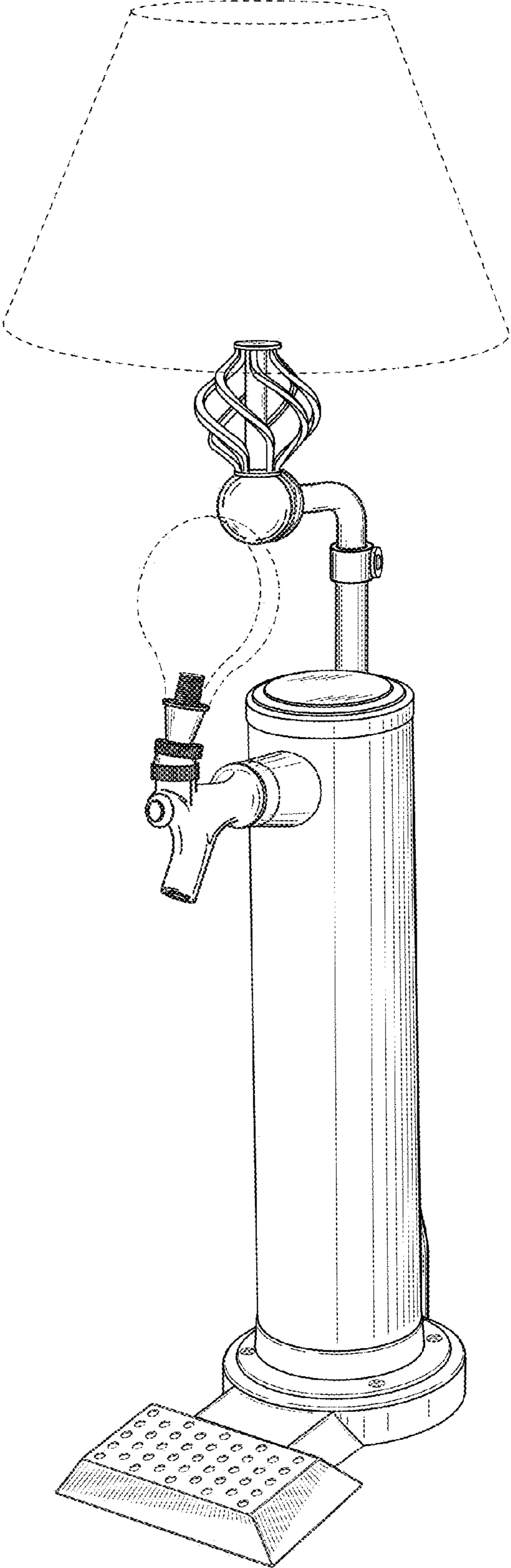


FIG. 1

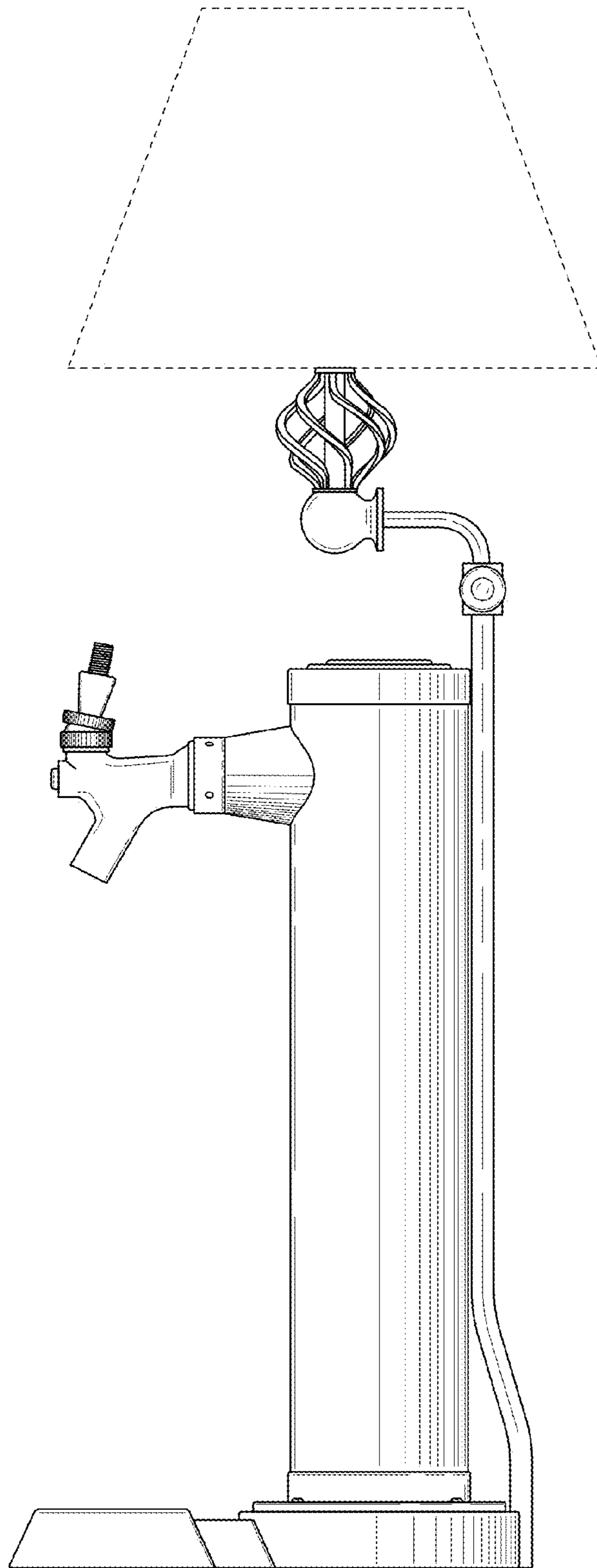


FIG. 2

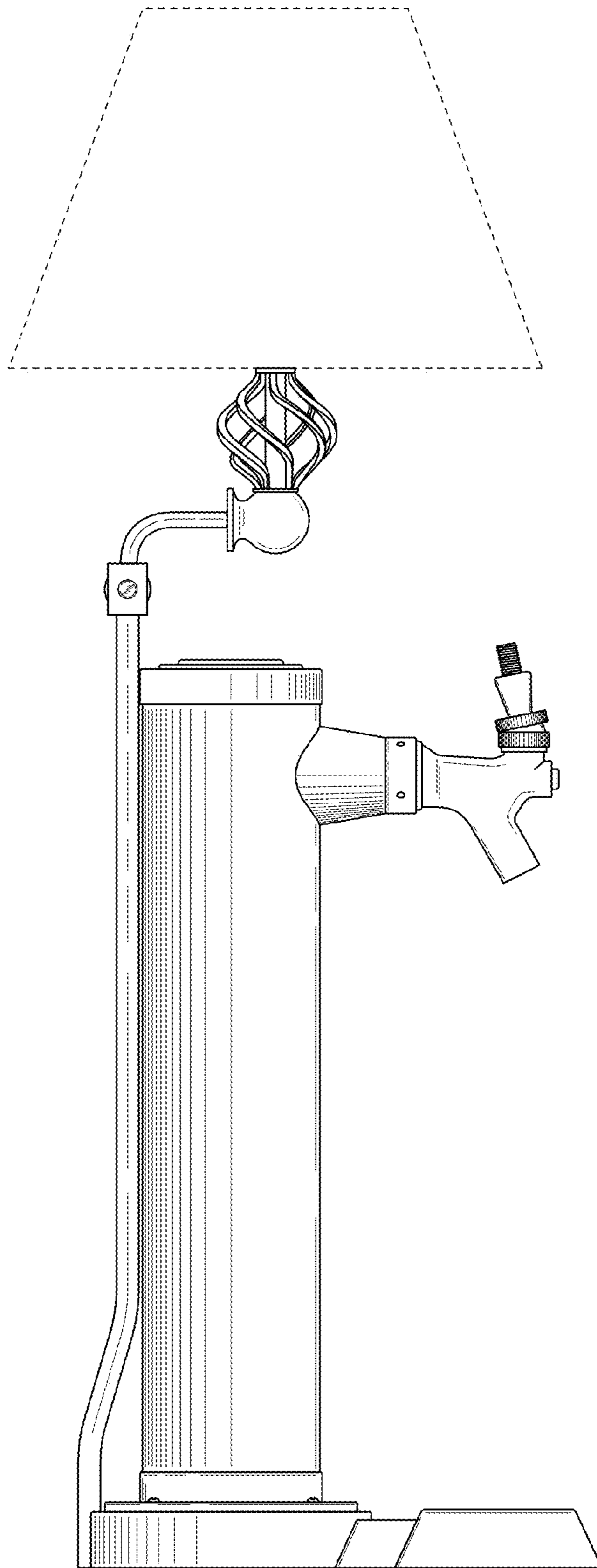


FIG. 3

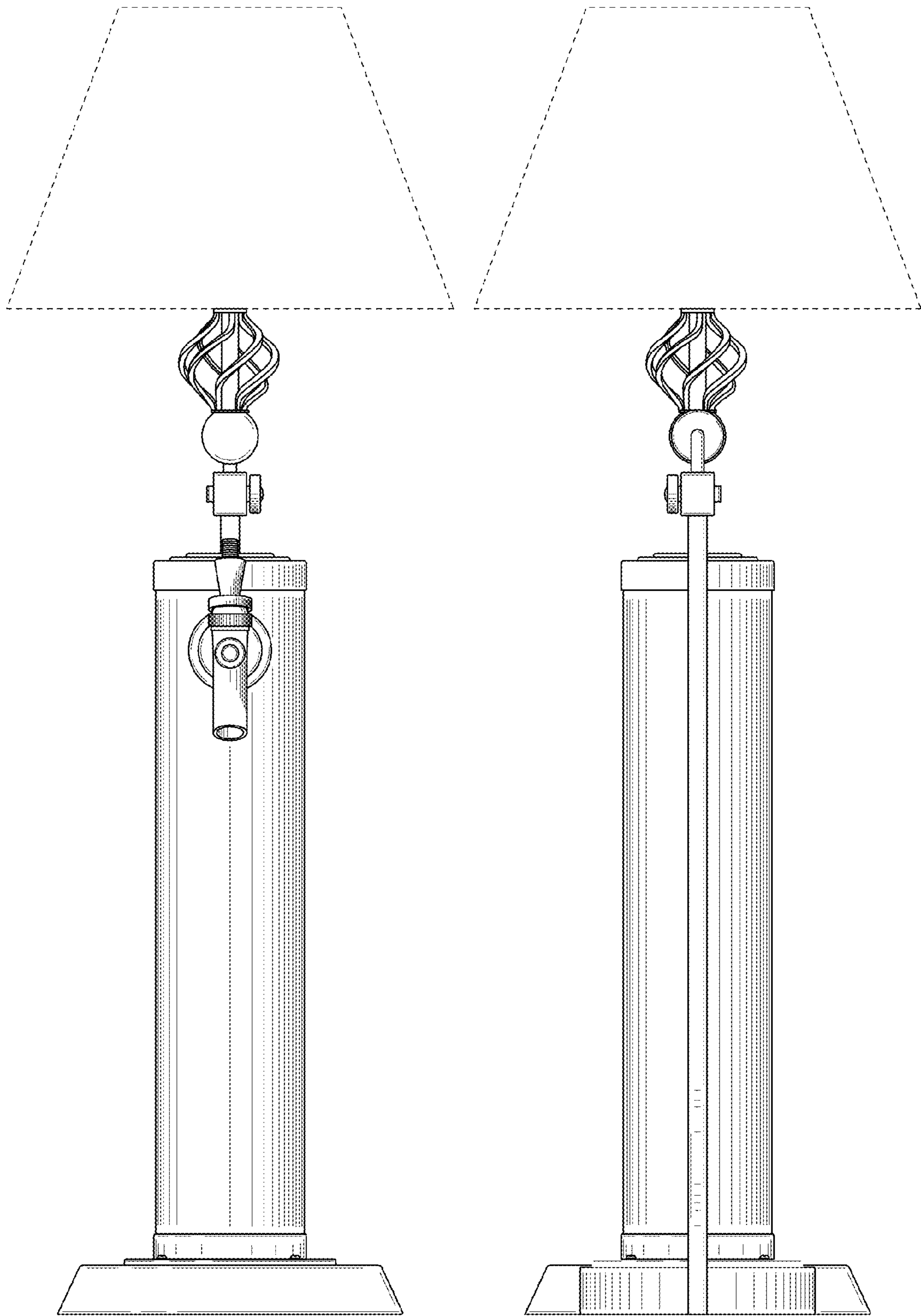


FIG. 4

FIG. 5

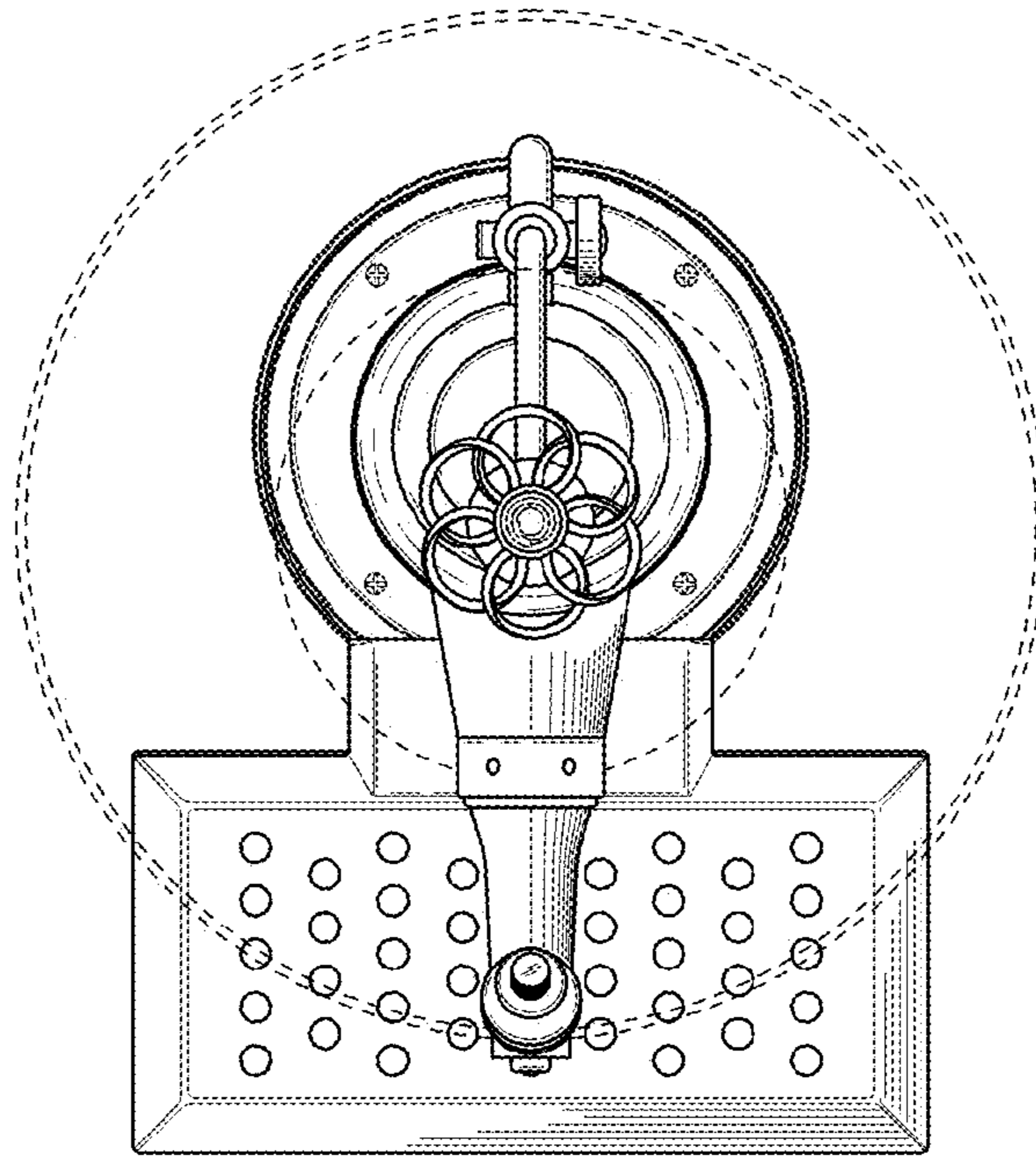


FIG. 6

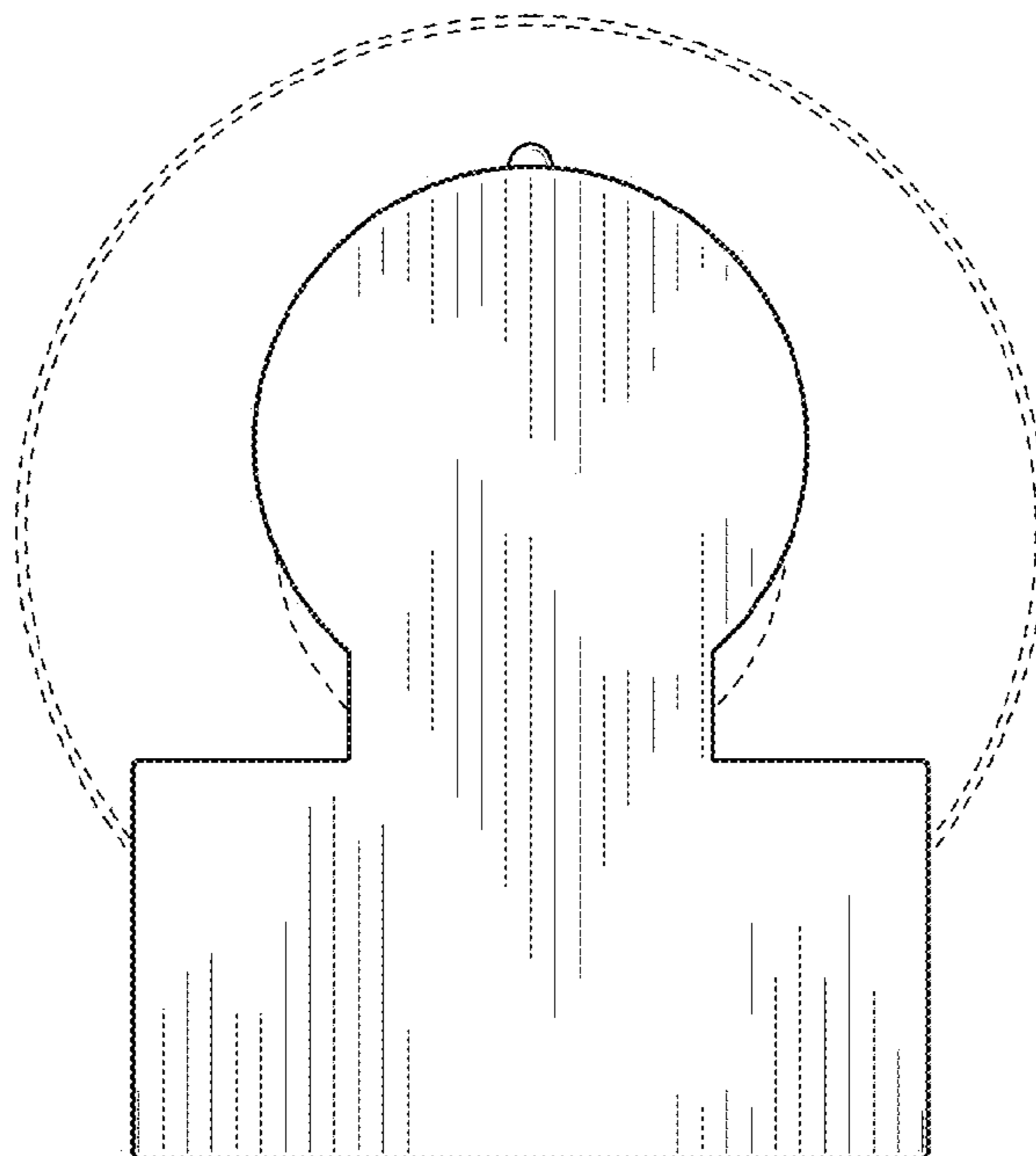


FIG. 7