



US00D719290S

(12) **United States Design Patent**  
**Fritz**

(10) **Patent No.:** **US D719,290 S**

(45) **Date of Patent:** **\*\* Dec. 9, 2014**

(54) **LIGHT**

(71) Applicant: **Masco Corporation of Indiana,**  
Indianapolis, IN (US)

(72) Inventor: **Seth Fritz,** Carmel, IN (US)

(73) Assignee: **Masco Corporation of Indiana,**  
Indianapolis, IN (US)

(\*\*) Term: **14 Years**

(21) Appl. No.: **29/484,928**

(22) Filed: **Mar. 14, 2014**

(51) **LOC (10) Cl.** ..... **26-03**

(52) **U.S. Cl.**  
USPC ..... **D26/87**

(58) **Field of Classification Search**  
USPC ..... D26/72, 86, 87, 92, 145, 155; 362/147,  
362/432

See application file for complete search history.

(56) **References Cited**

**U.S. PATENT DOCUMENTS**

1,177,232	A	*	3/1916	Chisholm	.....	362/432
D55,390	S	*	6/1920	Maerz	.....	D26/92
1,395,710	A	*	11/1921	Herskovitz	.....	362/432
D391,662	S	*	3/1998	Miranda	.....	D26/87

D473,004	S	*	4/2003	Hoernig	.....	D26/87
D536,472	S	*	2/2007	Tsai	.....	D26/87
D558,383	S	*	12/2007	Bickler et al.	.....	D26/87
D558,911	S	*	1/2008	Bickler et al.	.....	D26/87
D573,749	S	*	7/2008	Hsu	.....	D26/87
D616,600	S	*	5/2010	Gilbert et al.	.....	D26/155
D646,834	S	*	10/2011	Chen	.....	D26/87
D649,676	S	*	11/2011	Chen	.....	D26/87
D685,124	S	*	6/2013	Dolan	.....	D26/87

\* cited by examiner

*Primary Examiner* — Clare E Heflin

(74) *Attorney, Agent, or Firm* — Edgar A. Zarins; Nirav D. Parikh

(57) **CLAIM**

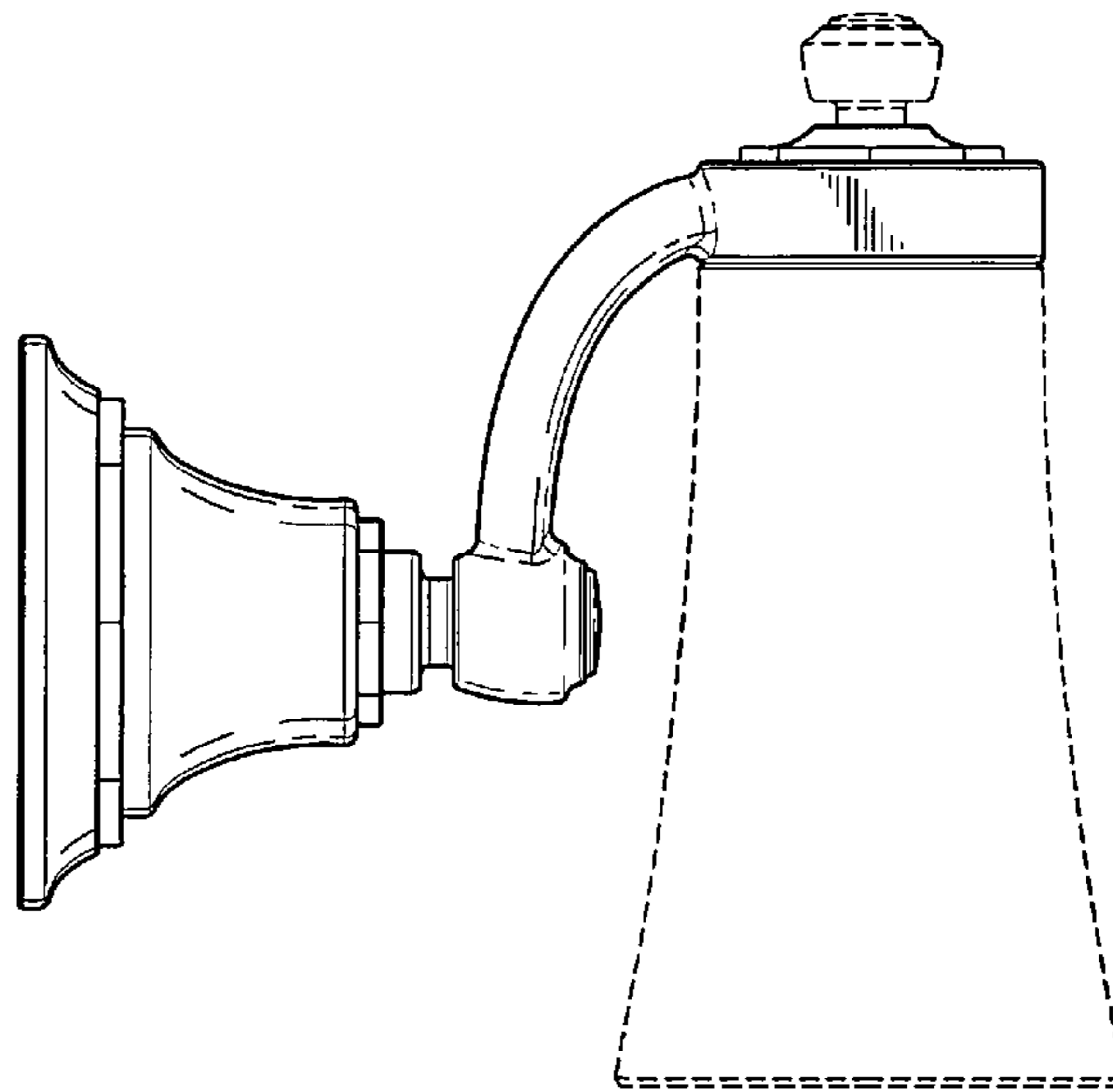
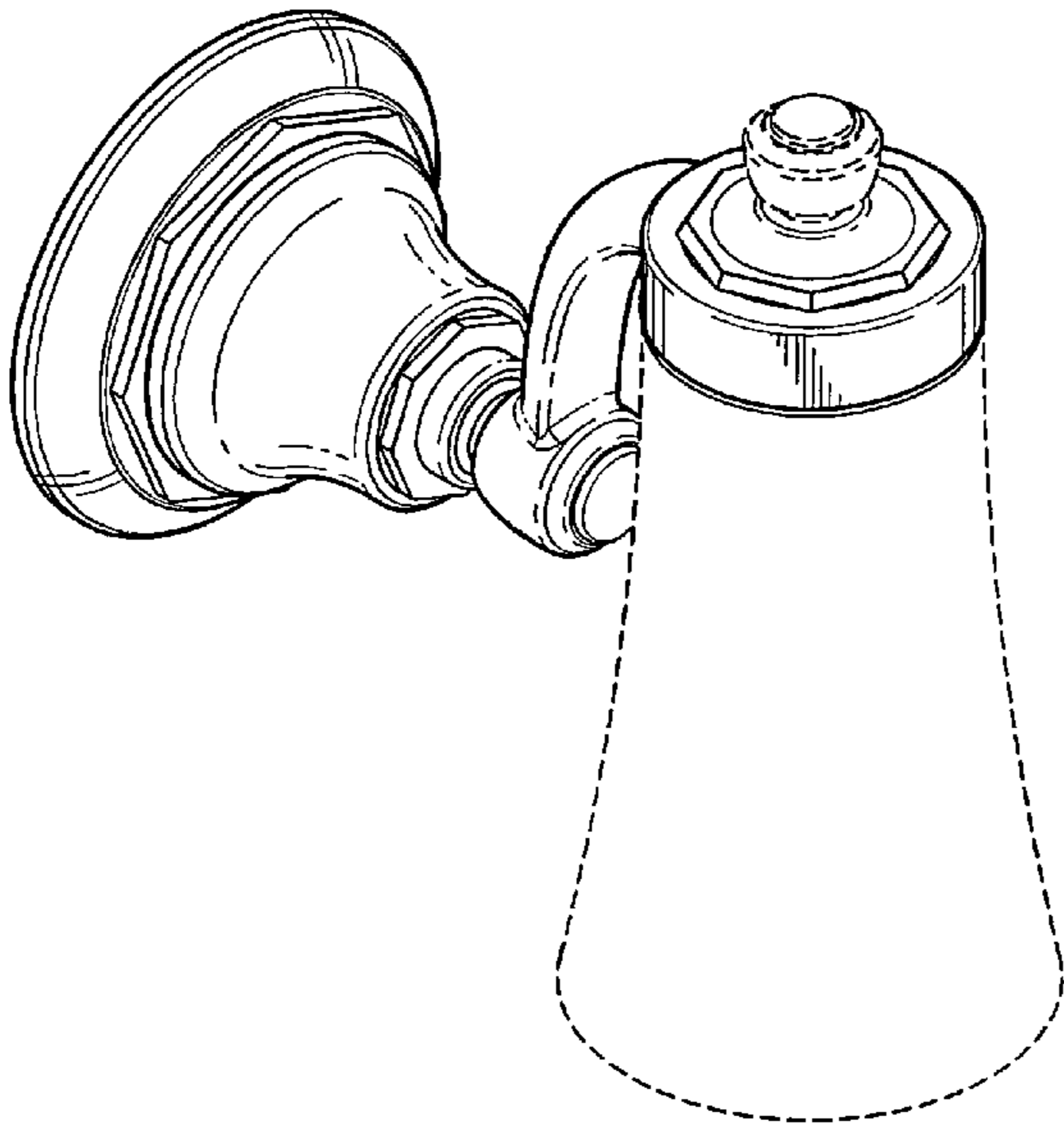
The ornamental design for a light, as shown and described.

**DESCRIPTION**

FIG. 1 is a perspective view of a light showing my new design; FIG. 2 is a right side view thereof, the opposite side being a mirror image of the side shown; FIG. 3 is a top plan view thereof; FIG. 4 is a front elevational view thereof; and, FIG. 5 is a bottom view thereof.

The broken lines shown on the drawings depict portions of the light that form no part of the claimed design.

**1 Claim, 2 Drawing Sheets**



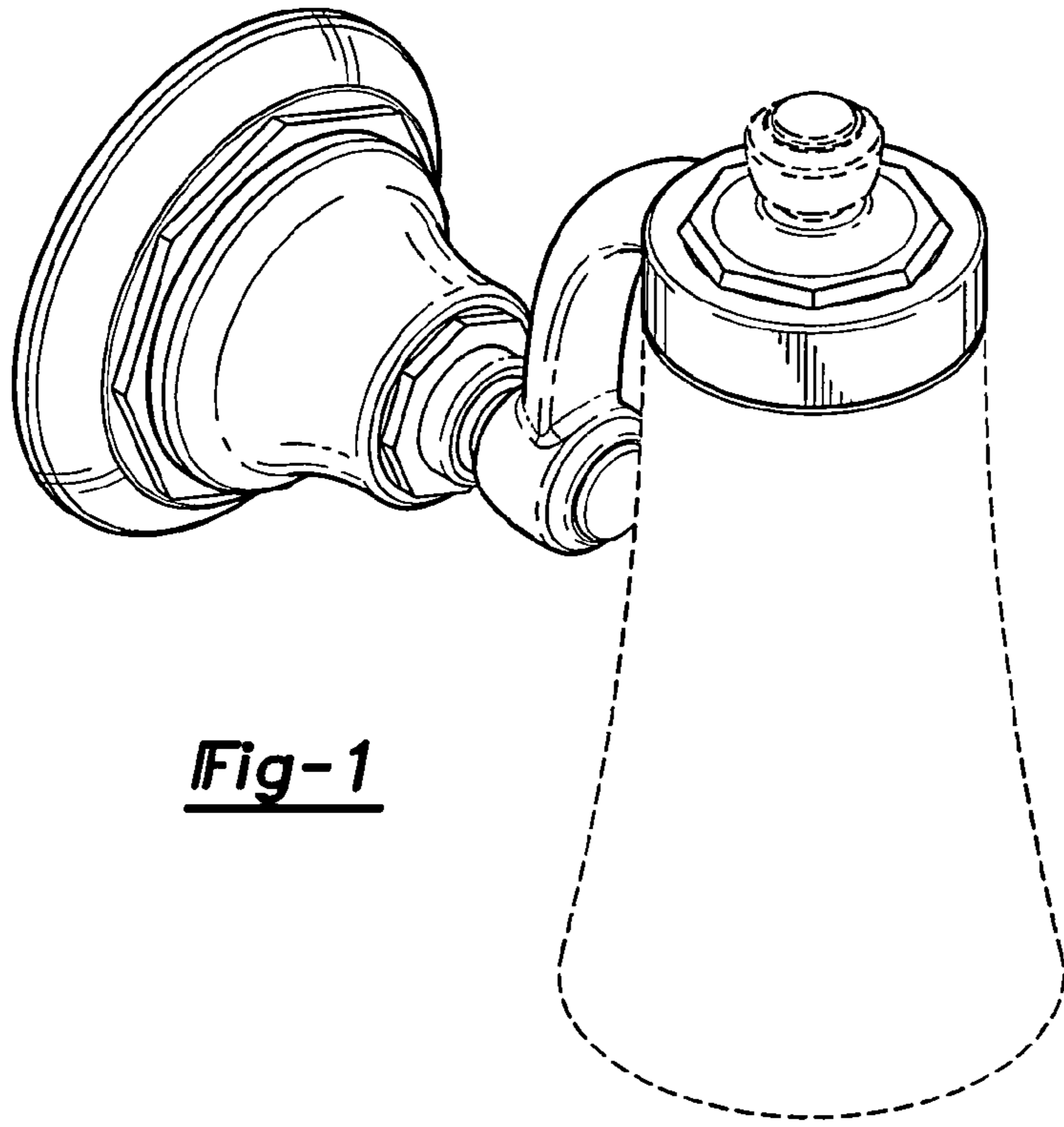


Fig-1

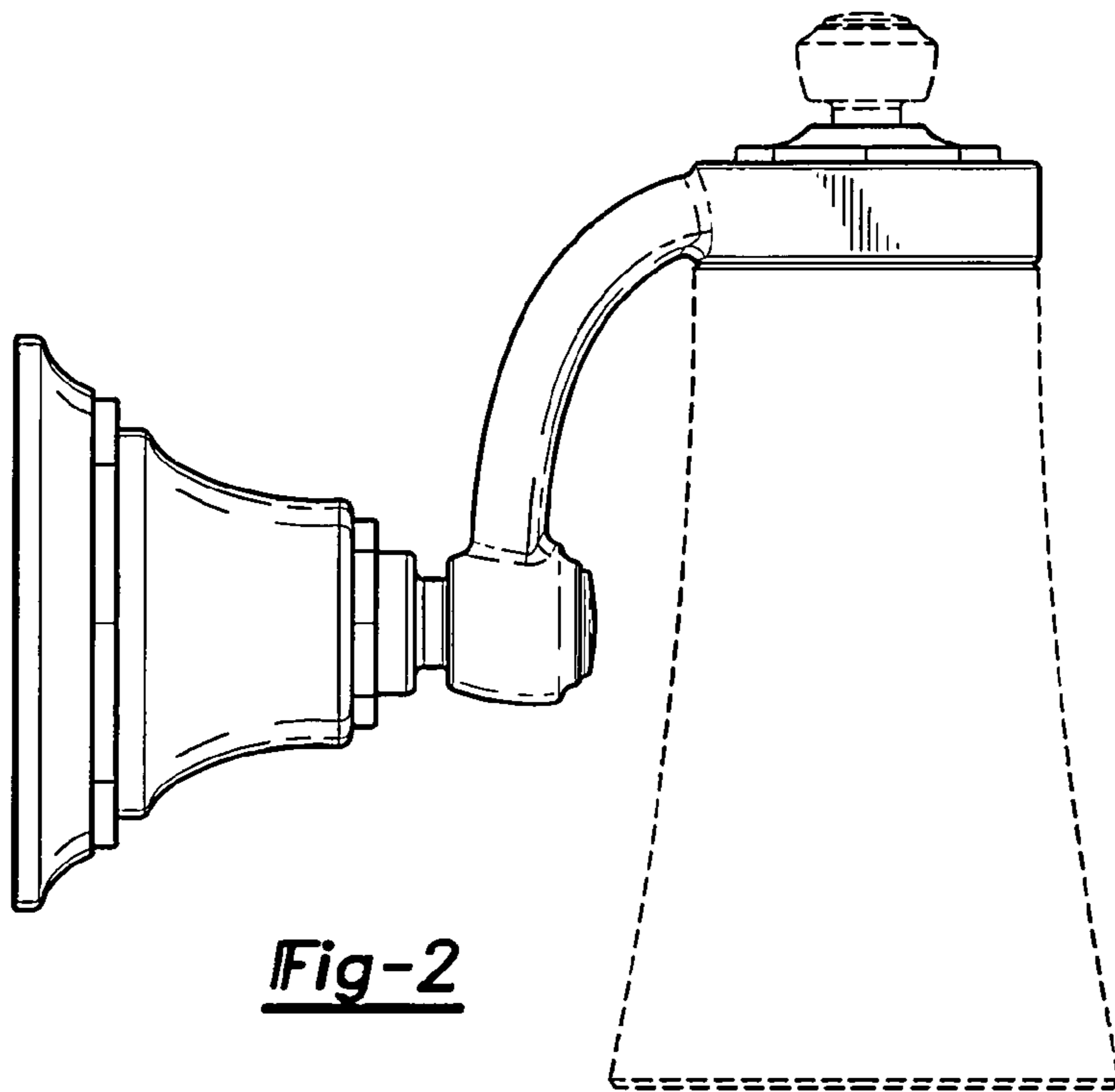


Fig-2

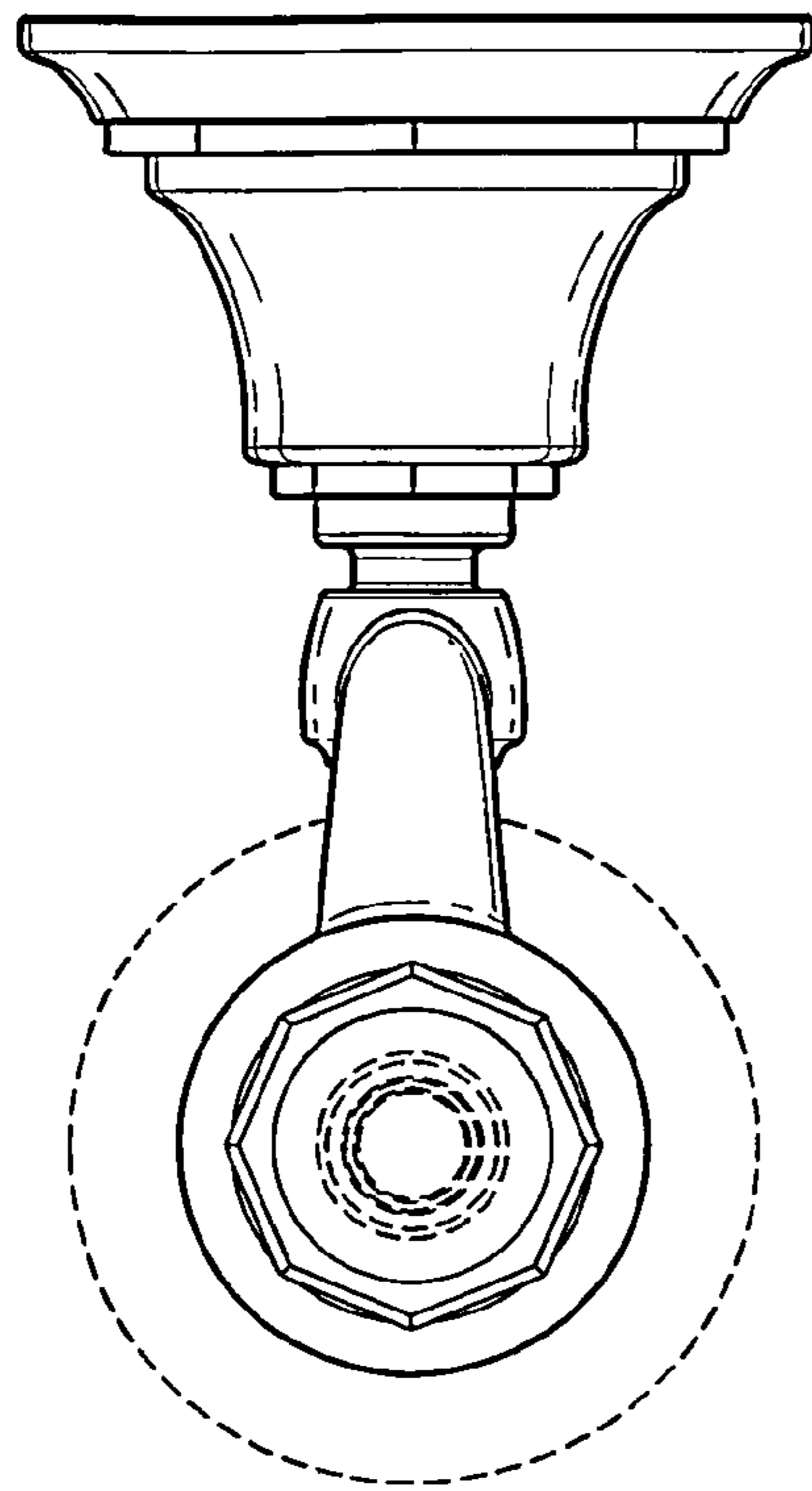


Fig-3

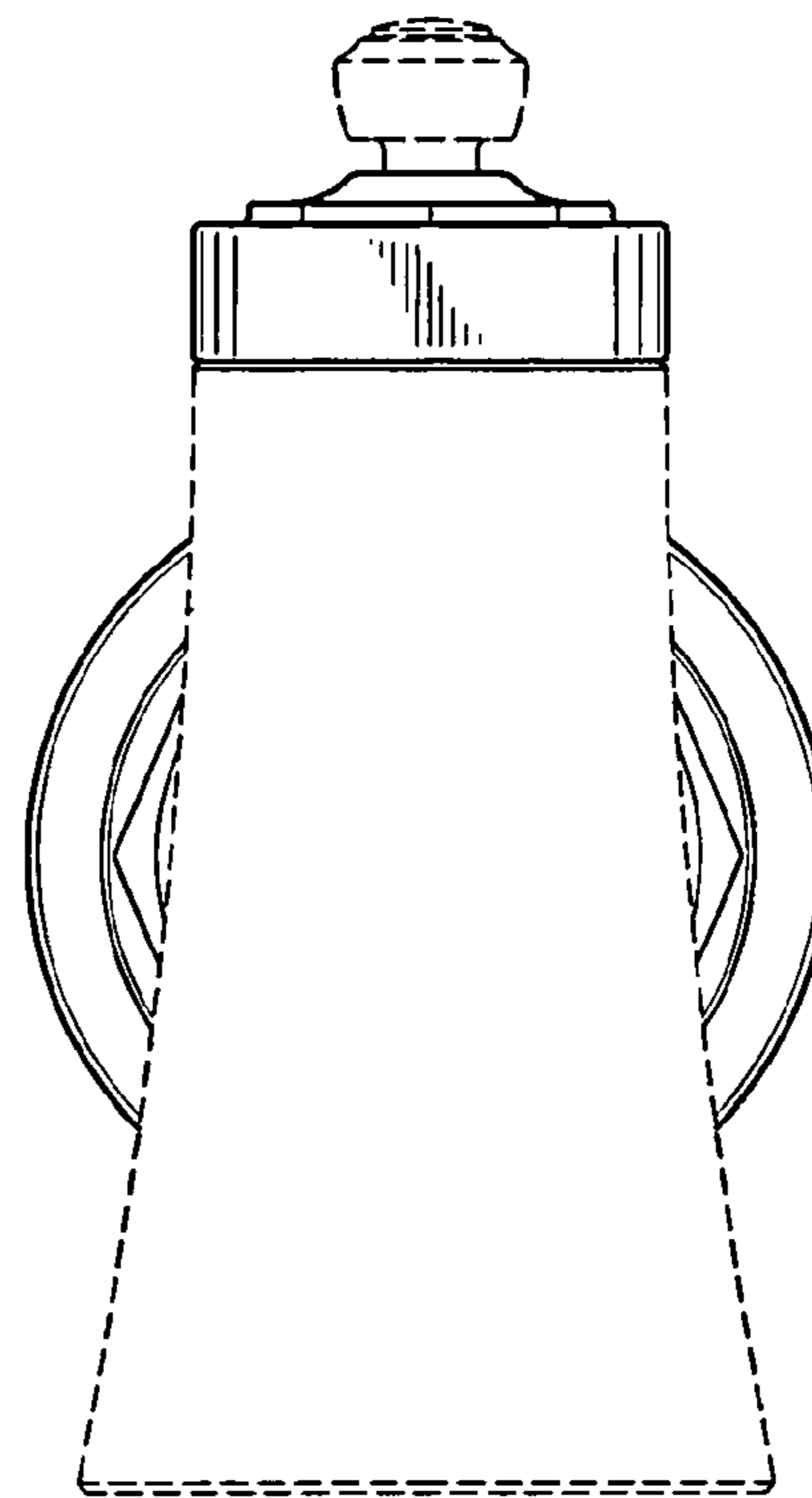


Fig-4

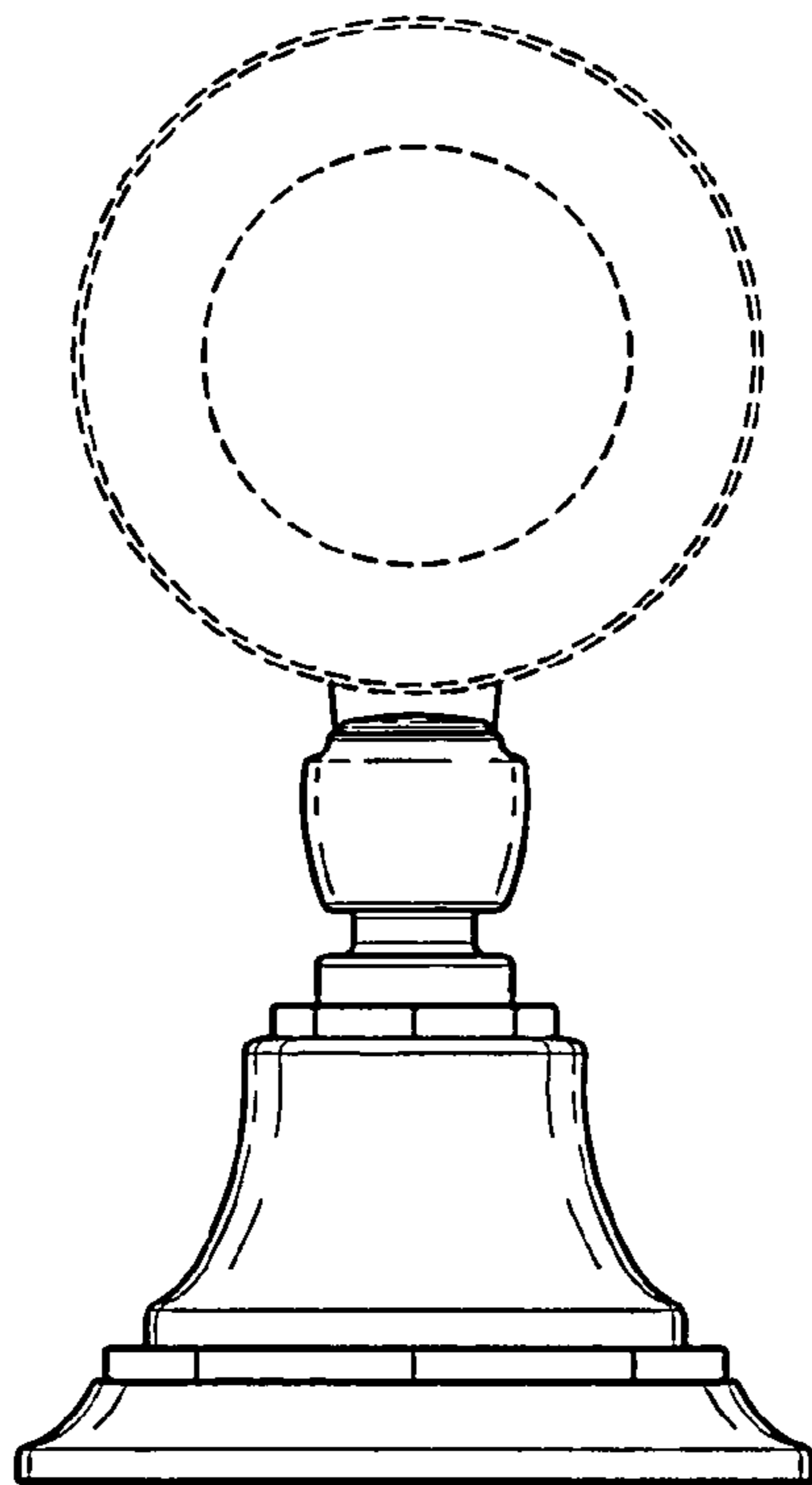


Fig-5