

US00D719286S

(12) **United States Design Patent**  
**Inskeep**

(10) **Patent No.:** **US D719,286 S**  
(45) **Date of Patent:** **\*\* Dec. 9, 2014**

(54) **ROTATING HEADLAMP FLASHLIGHT**

(71) Applicant: **Mathew Inskeep**, Highland Beach, FL  
(US)

(72) Inventor: **Mathew Inskeep**, Highland Beach, FL  
(US)

(\*\*) Term: **14 Years**

(21) Appl. No.: **29/476,140**

(22) Filed: **Dec. 11, 2013**

(51) **LOC (10) Cl.** ..... **26-02**

(52) **U.S. Cl.**  
USPC ..... **D26/49**

(58) **Field of Classification Search**  
USPC ..... D26/37, 40, 41, 46, 49, 38, 51;  
362/157, 158, 183, 184, 194-196,  
362/200-208, 253  
See application file for complete search history.

(56) **References Cited**

**U.S. PATENT DOCUMENTS**

D417,022 S *	11/1999	Chiu	.....	D26/49
D445,522 S *	7/2001	Chiu	.....	D26/49
D445,926 S *	7/2001	Cheong	.....	D26/37
D465,045 S *	10/2002	Yamamoto et al.	.....	D26/49
D491,305 S *	6/2004	Copeland	.....	D26/49
D504,529 S *	4/2005	Vickers et al.	.....	D26/37
D533,674 S *	12/2006	Julius et al.	.....	D26/49
D557,840 S *	12/2007	Shiu	.....	D26/37
D563,007 S *	2/2008	Opolka	.....	D26/49
D576,757 S *	9/2008	Hesse et al.	.....	D26/49
D601,285 S *	9/2009	Chen	.....	D26/49
D629,940 S *	12/2010	Osterhout	.....	D26/49

D643,561 S *	8/2011	Maglica	.....	D26/49
D675,358 S *	1/2013	Brands et al.	.....	D26/49
D693,042 S *	11/2013	Wu	.....	D26/49
D701,340 S *	3/2014	Opolka	.....	D26/49

\* cited by examiner

*Primary Examiner* — Ian Simmons  
*Assistant Examiner* — Carissa C Fitts

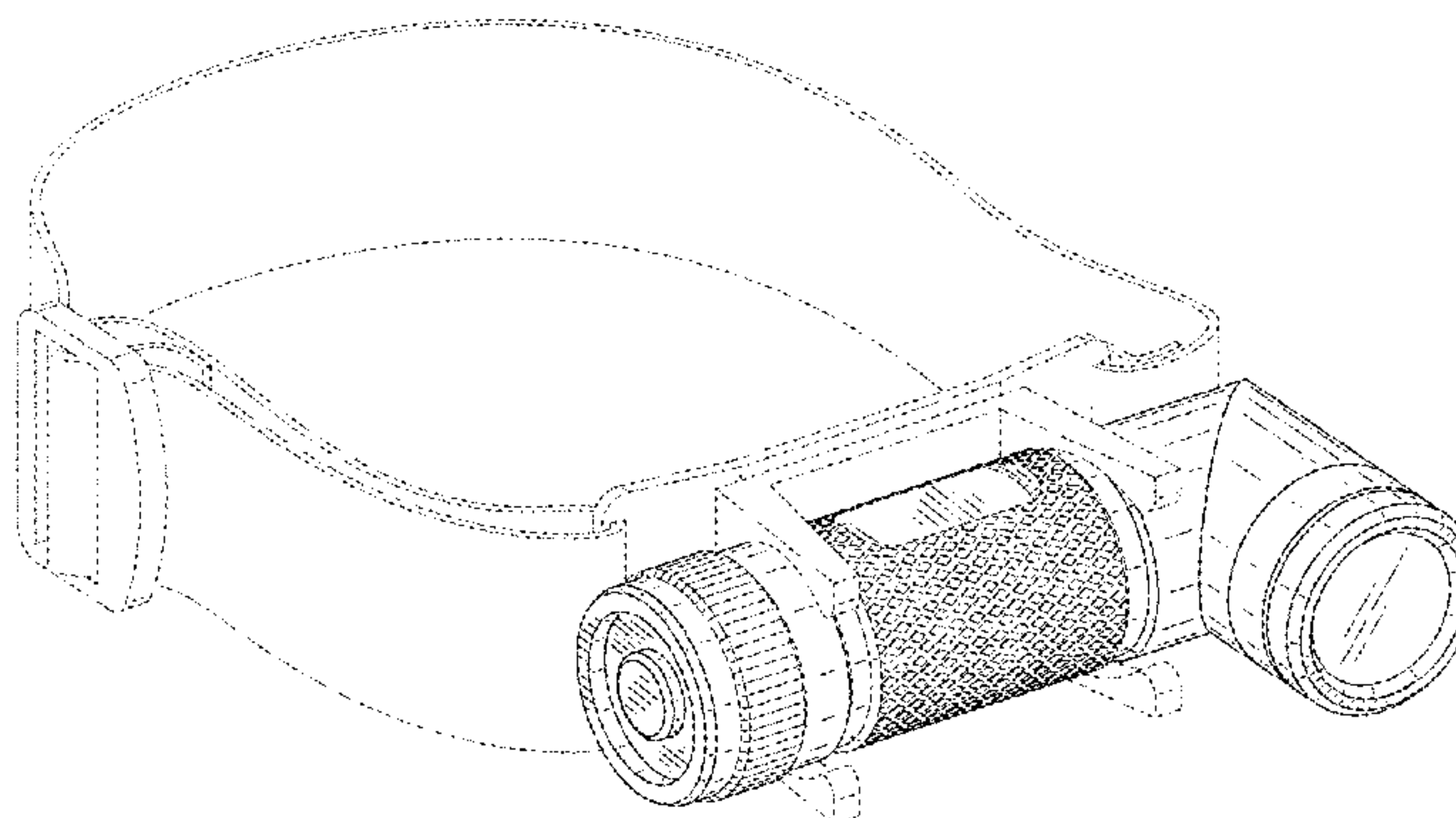
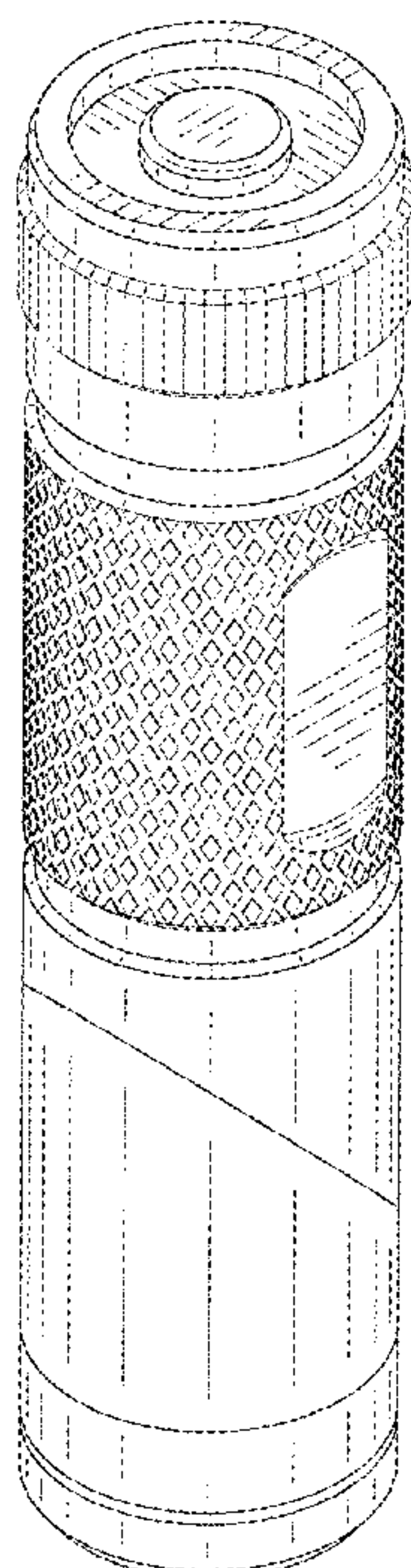
(57) **CLAIM**

The ornamental design for a rotating headlamp flashlight, as shown and described.

**DESCRIPTION**

FIG. 1 is a top perspective view of the rotating headlamp flashlight showing my new design.  
 FIG. 2 is a bottom perspective view thereof.  
 FIG. 3 is a front view thereof.  
 FIG. 4 is a back view thereof.  
 FIG. 5 is left side view thereof.  
 FIG. 6 is a right side view thereof.  
 FIG. 7 is a back view thereof.  
 FIG. 8 is a top view thereof.  
 FIG. 9 is perspective view of the rotating headlamp flashlight with the end rotated.  
 FIG. 10 is a side view of the rotating headlamp flashlight with the end rotated.  
 FIG. 11 is a perspective view of the rotating headlamp flashlight with the end rotated.  
 FIG. 12 is a back perspective view of the rotating headlamp flashlight with the end rotated; and,  
 FIG. 13 is a bottom perspective view of the rotating headlamp flashlight with the end rotated.  
 The broken line showing of a head mount in FIGS. 11, 12 and 13 is for environmental purposes only and forms no part of the claimed design.

**1 Claim, 9 Drawing Sheets**



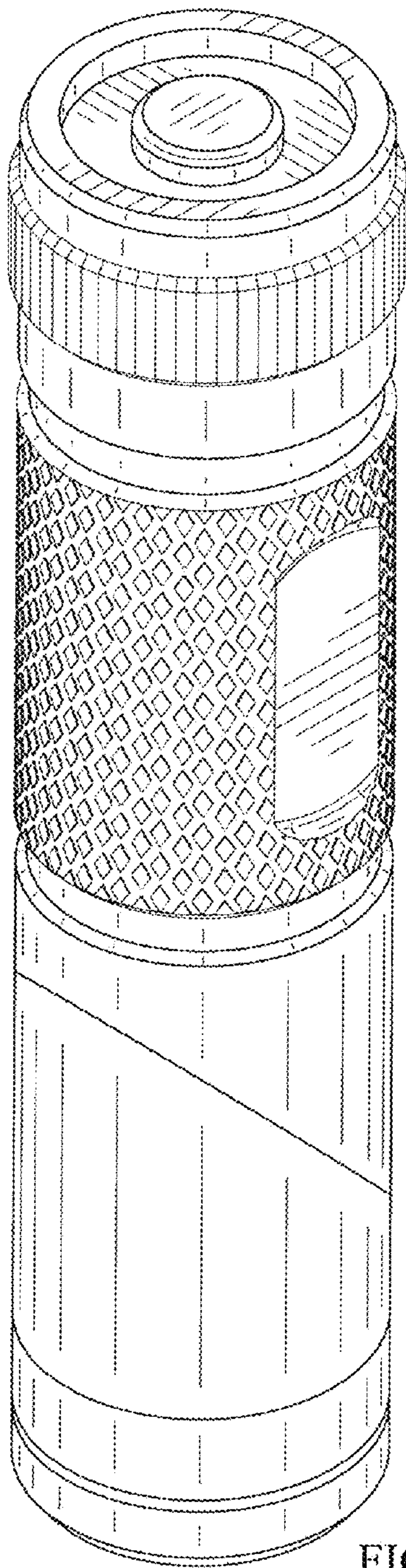


FIG. 1

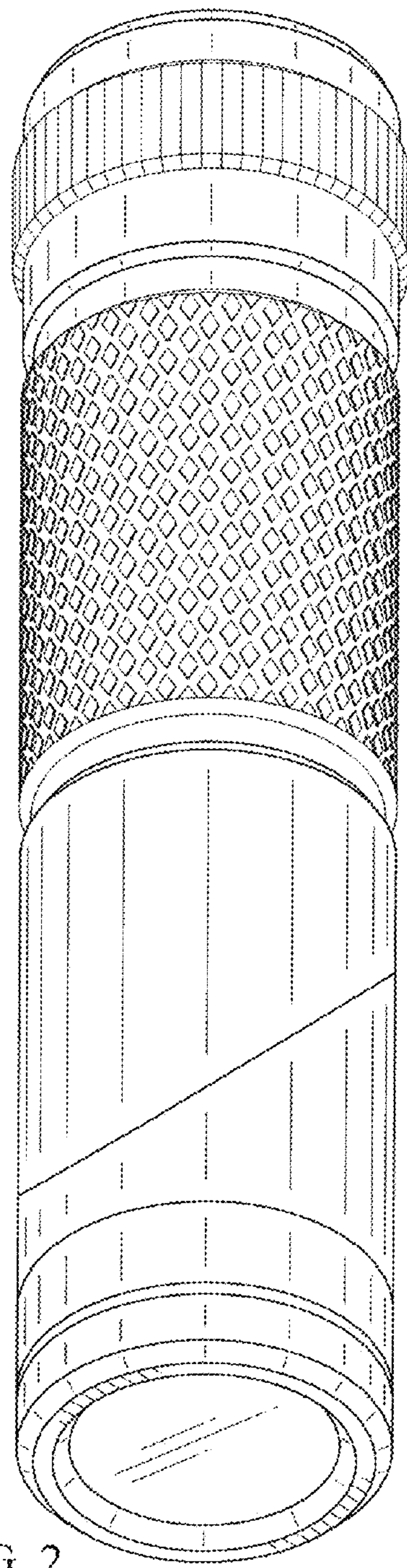


FIG. 2



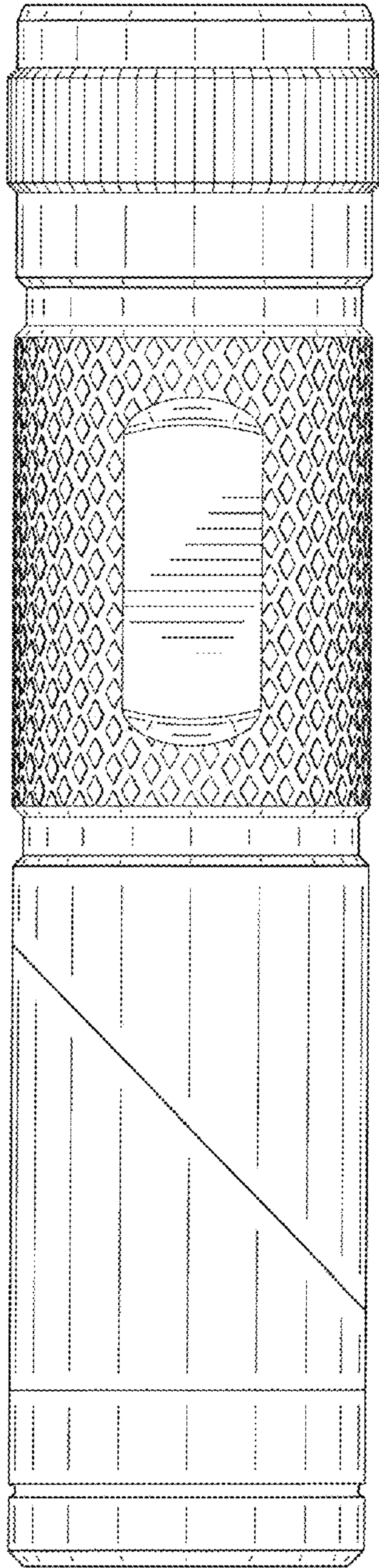


FIG. 3

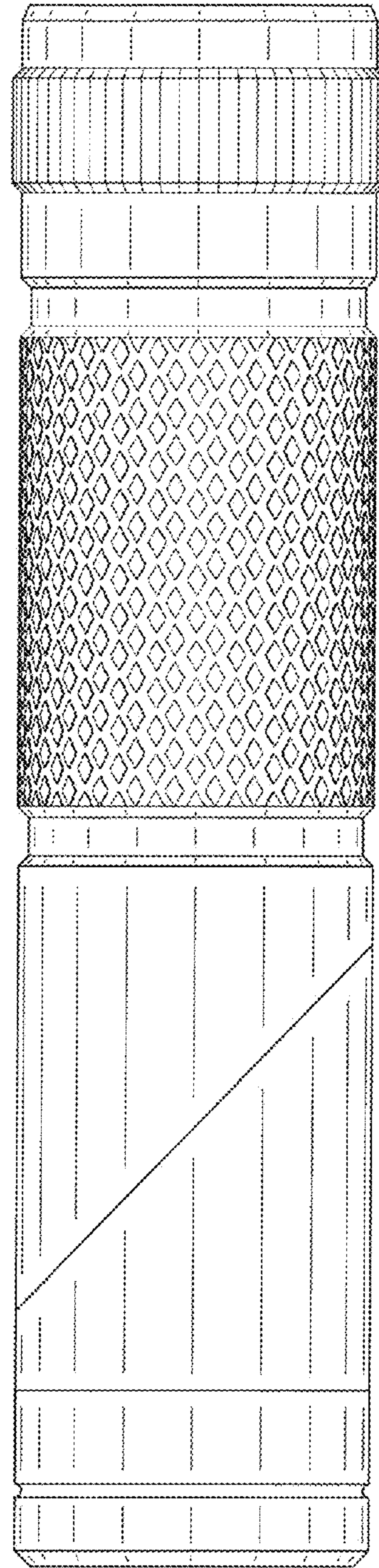


FIG. 4

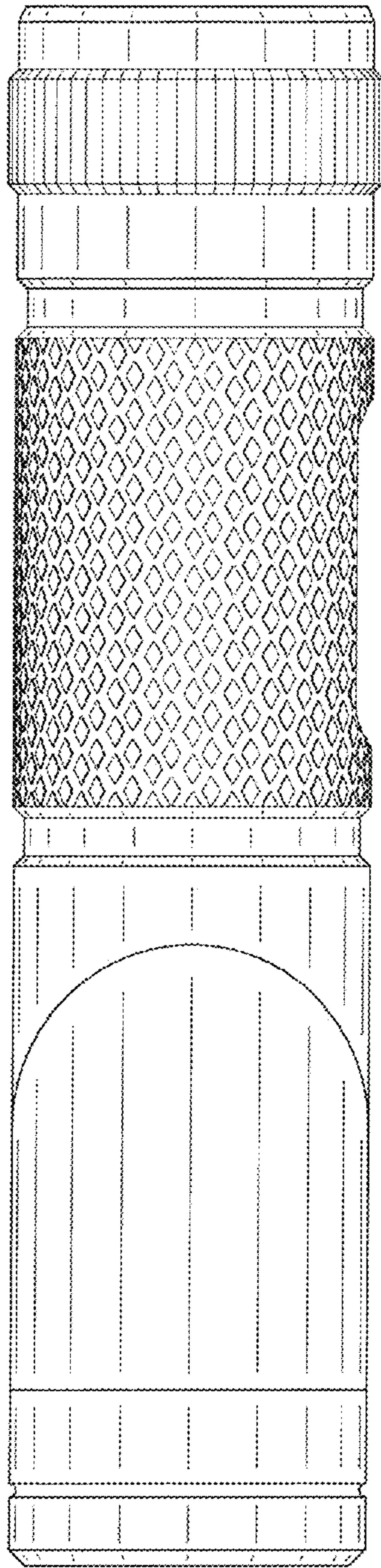


FIG. 5

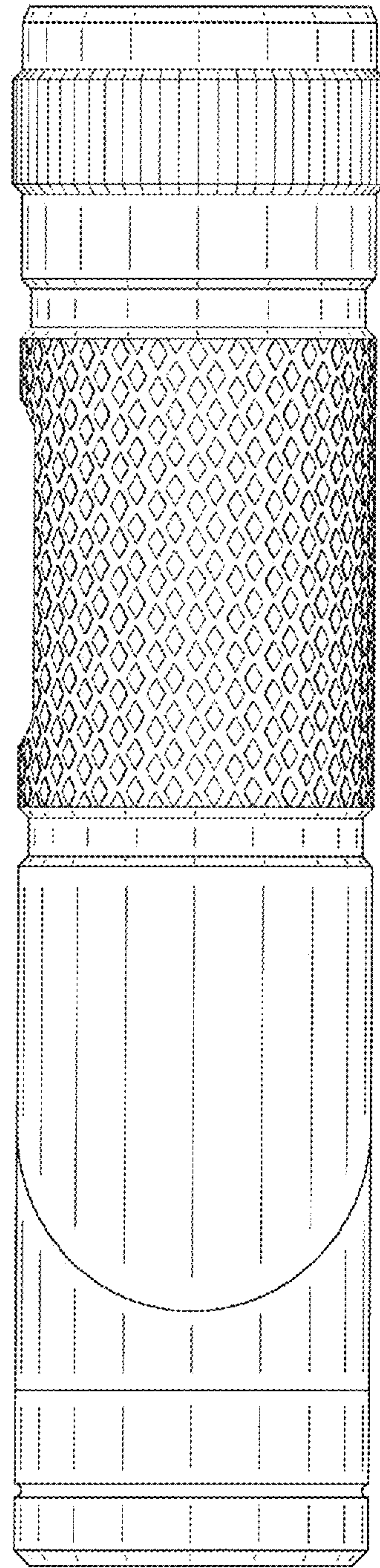


FIG. 6



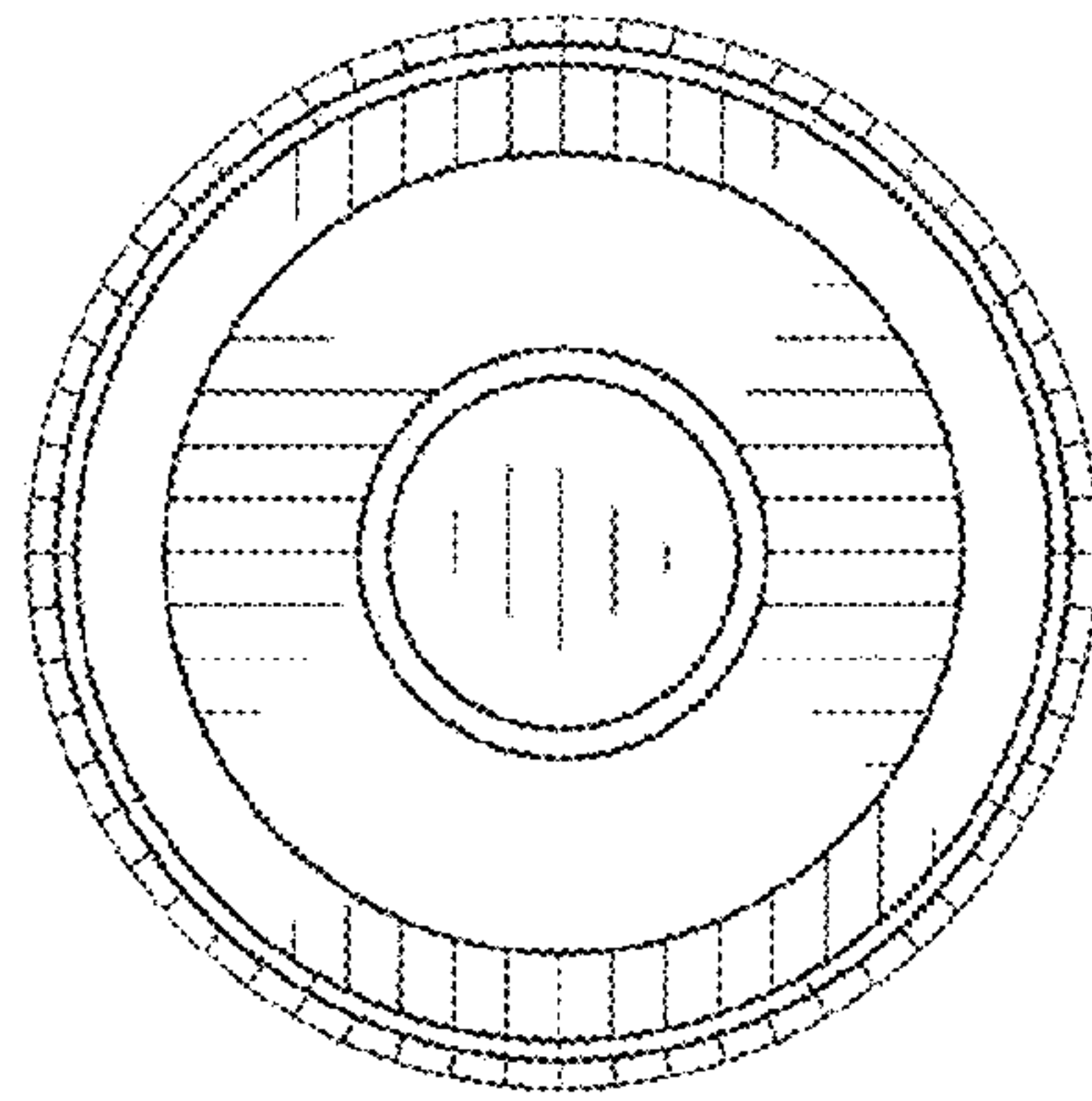


FIG. 7

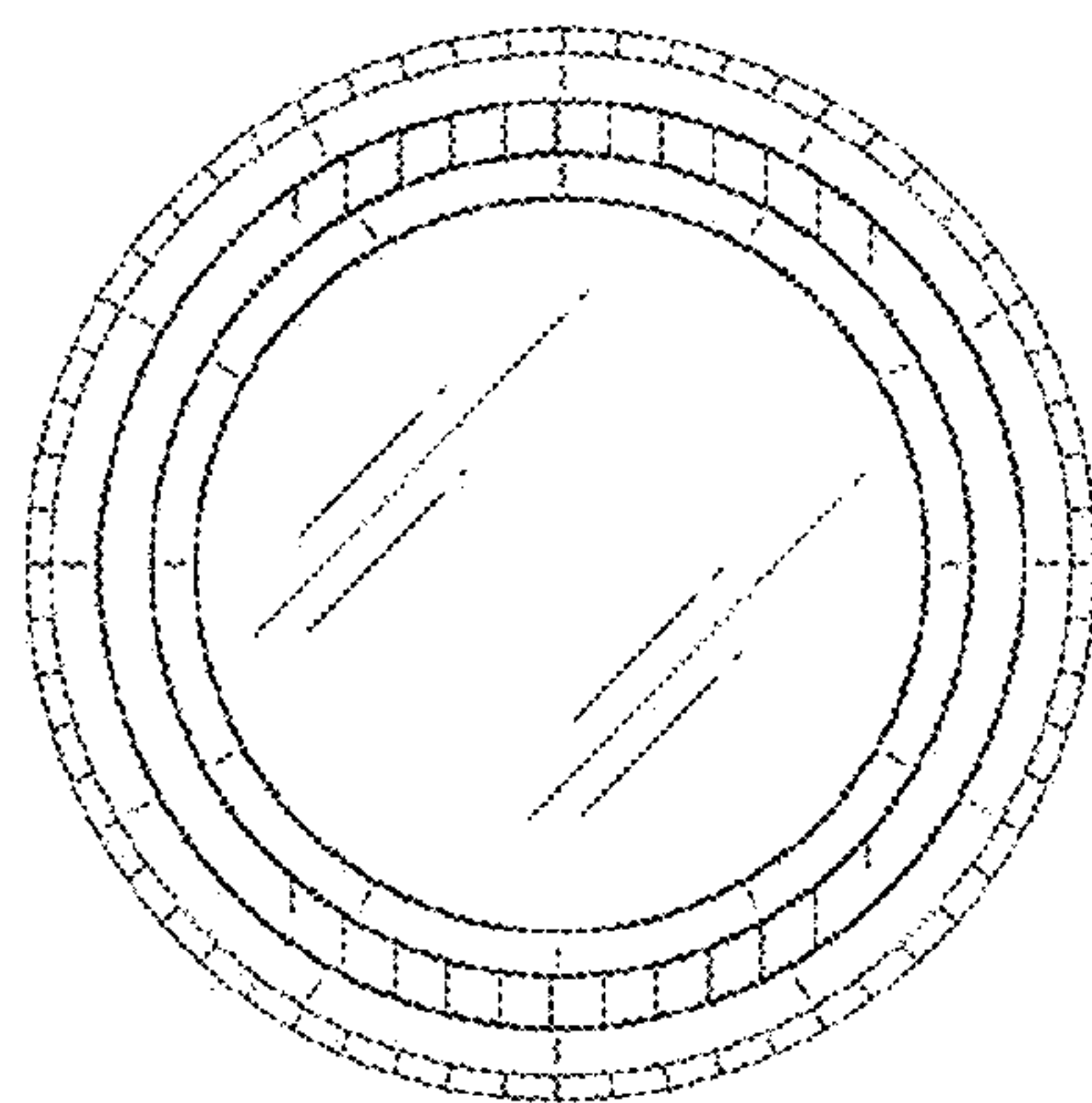


FIG. 8

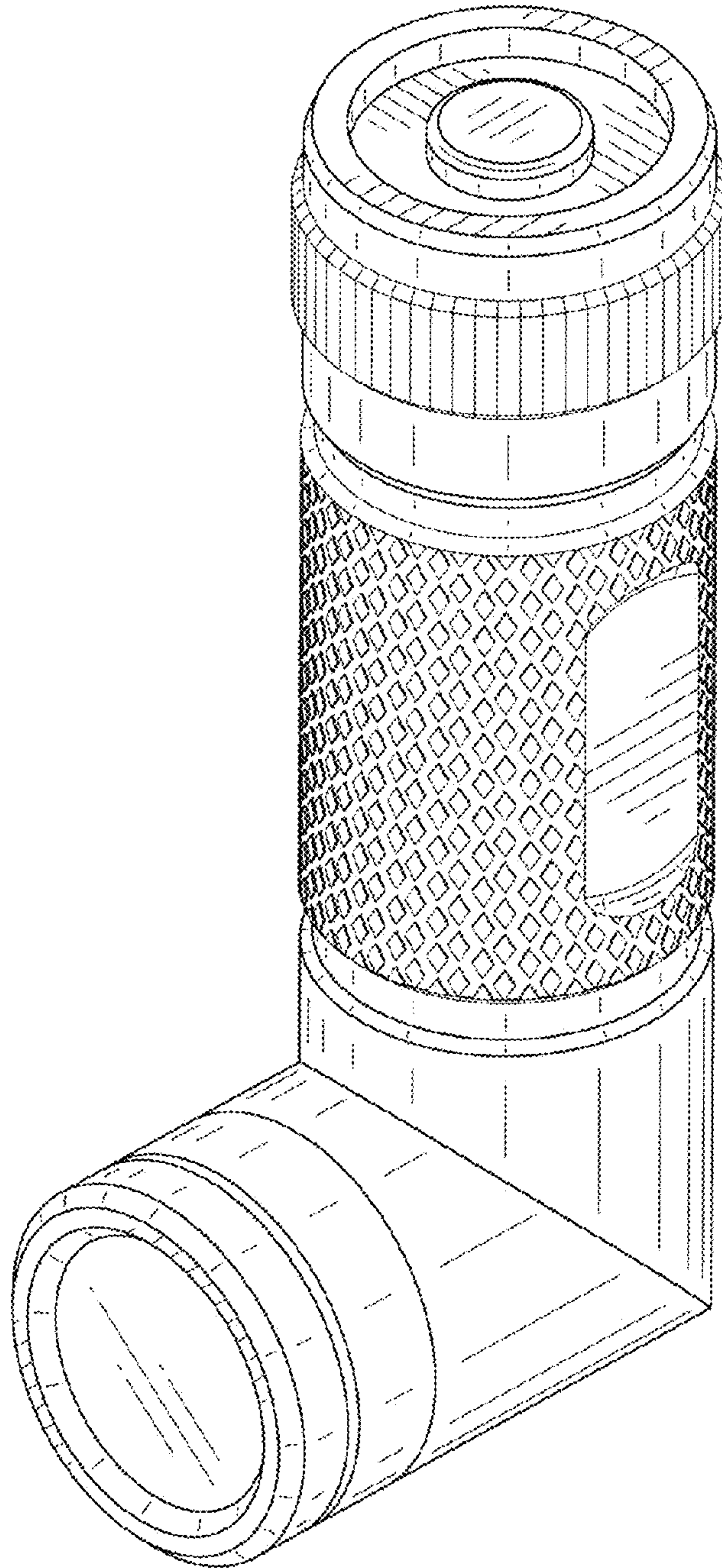


FIG. 9

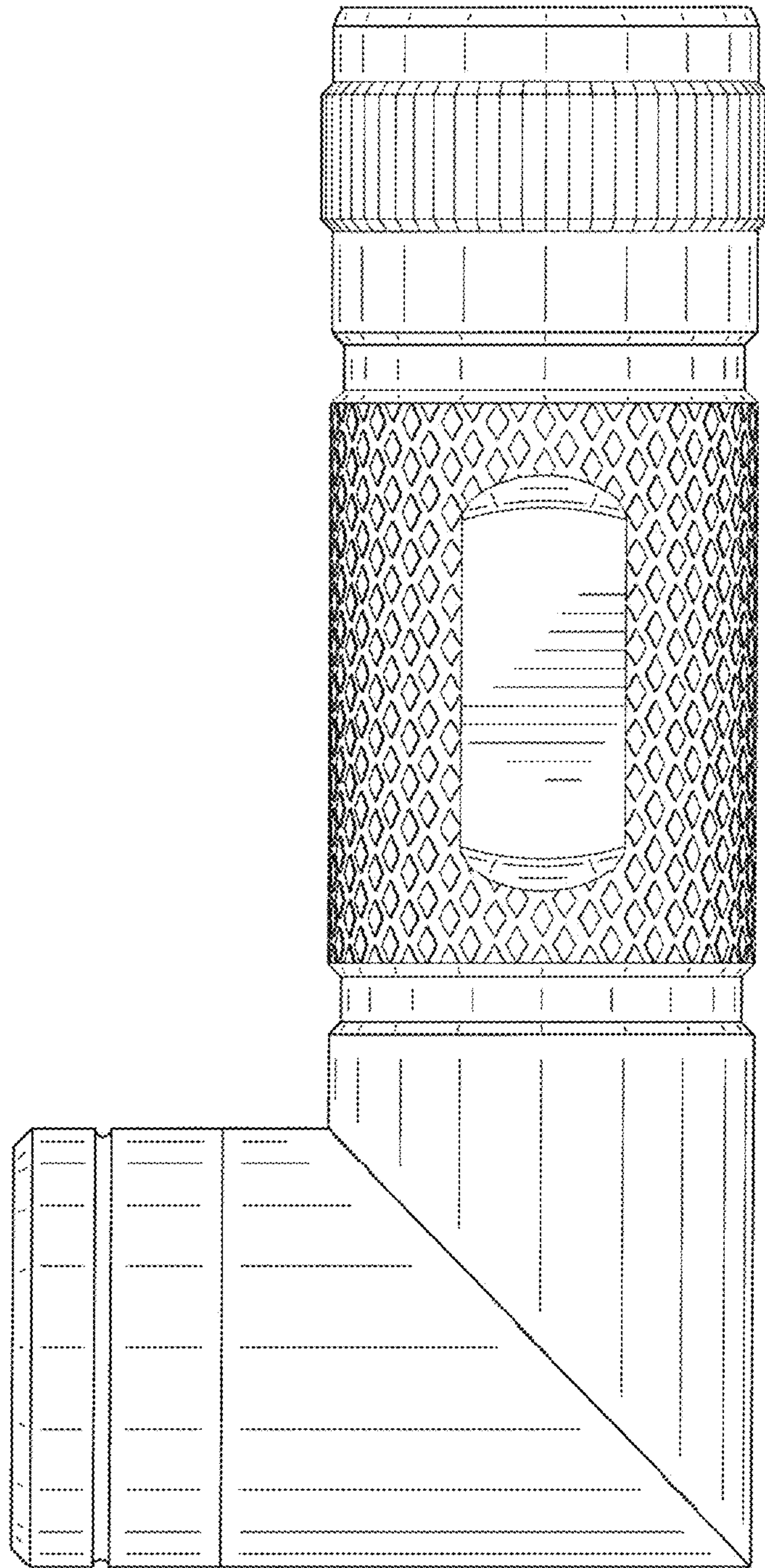


FIG. 10



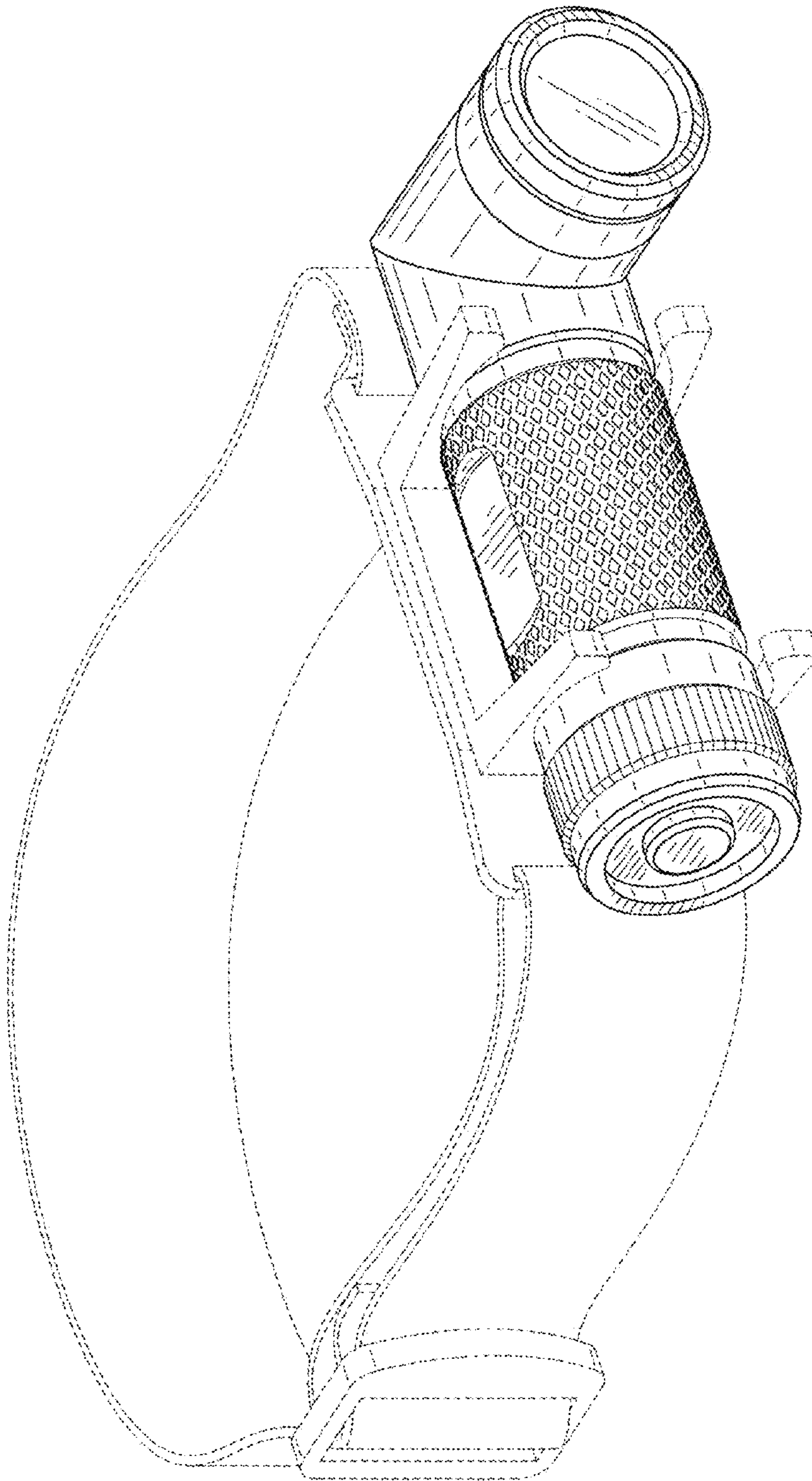


FIG. 11



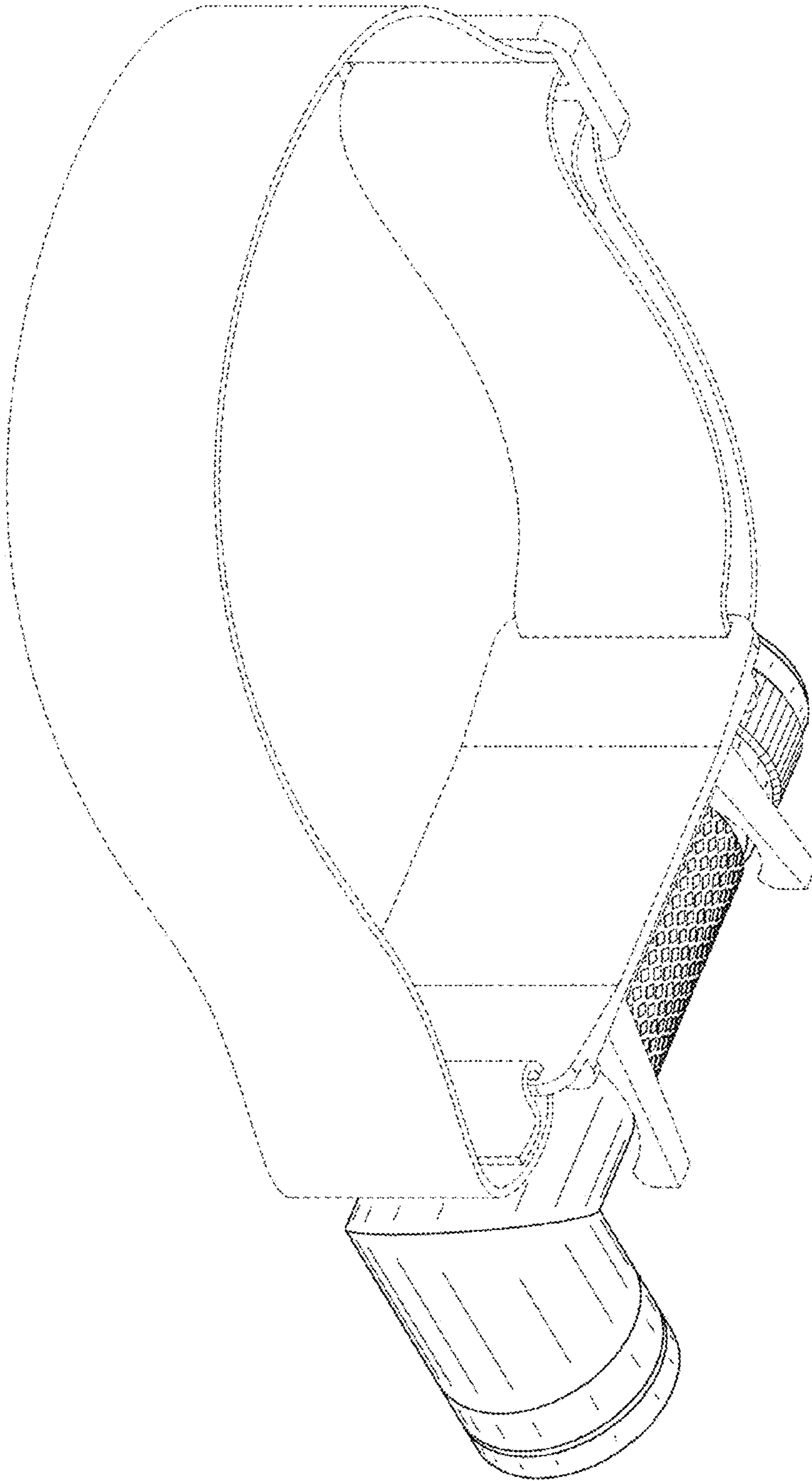


FIG. 12

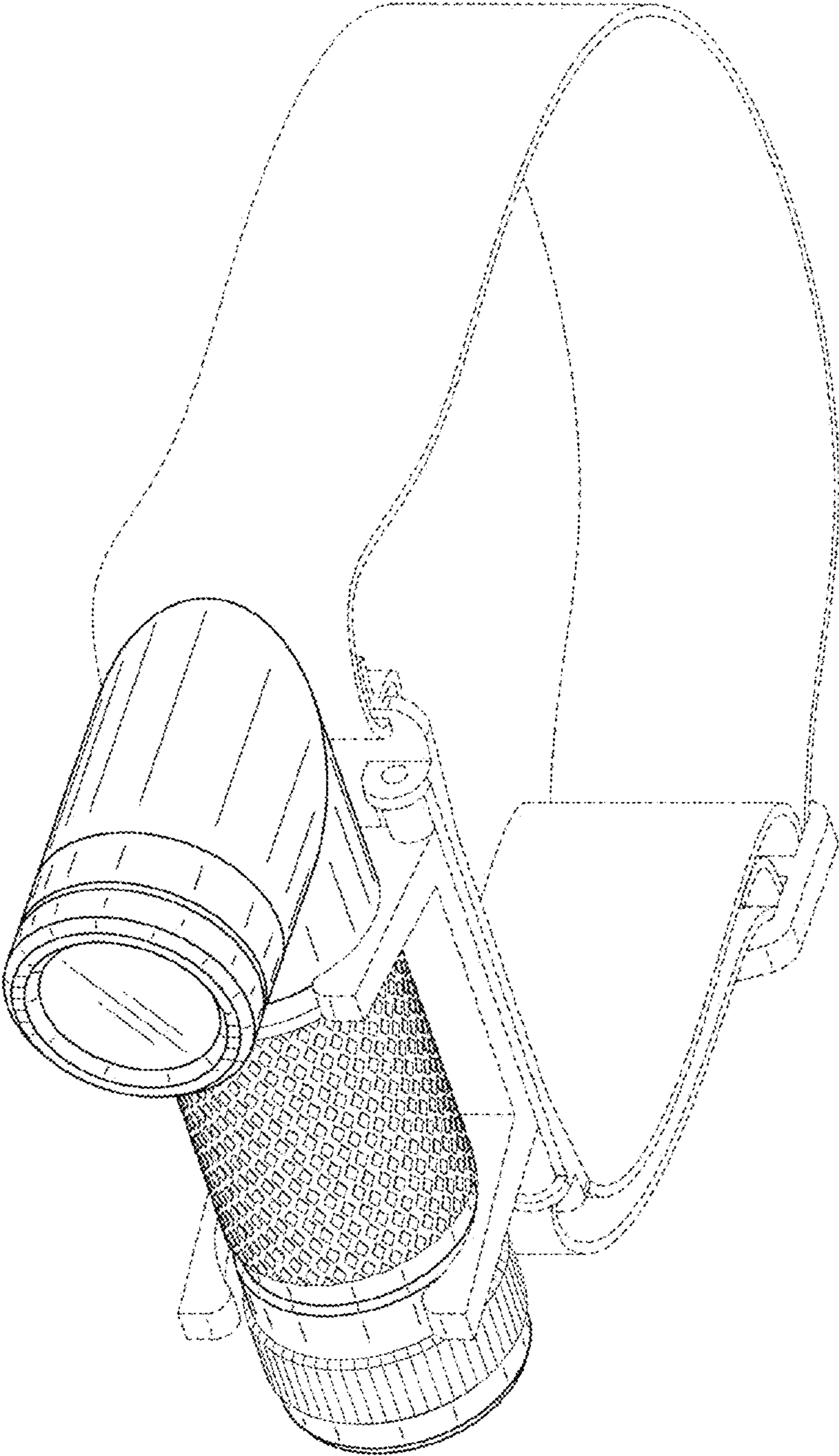


FIG. 13