



US00D719283S

(12) **United States Design Patent**
Kung et al.

(10) **Patent No.:** **US D719,283 S**

(45) **Date of Patent:** **** Dec. 9, 2014**

(54) **LED LIGHT BULB**

(56) **References Cited**

(71) Applicant: **Hon Hai Precision Industry Co., Ltd.,**
New Taipei (TW)

(72) Inventors: **Te-Yuan Kung,** New Taipei (TW); **Xu**
Zhang, Shenzhen (CN)

(73) Assignee: **Hon Hai Precision Industry Co., Ltd.,**
New Taipei (TW)

(**) Term: **14 Years**

(21) Appl. No.: **29/461,856**

(22) Filed: **Jul. 29, 2013**

(30) **Foreign Application Priority Data**

Mar. 25, 2013 (CN) 2013 3 00796915

(51) **LOC (10) Cl.** **26-04**

(52) **U.S. Cl.**
USPC **D26/2**

(58) **Field of Classification Search**
USPC D26/1-4; 313/313, 315, 316, 317, 318,
313/493; 315/52, 53, 56, 57, 58

See application file for complete search history.

U.S. PATENT DOCUMENTS

D508,575	S	*	8/2005	Buschmann et al.	D26/2
D629,929	S	*	12/2010	Chen et al.	D26/2
D645,989	S	*	9/2011	Cheng	D26/2
D664,271	S	*	7/2012	Kim et al.	D26/2
D667,970	S	*	9/2012	Chen	D26/2
D667,971	S	*	9/2012	Maxik et al.	D26/2

* cited by examiner

Primary Examiner — Marcus Jackson

(74) *Attorney, Agent, or Firm* — Novak Druce Connolly
Bove + Quigg LLP

(57) **CLAIM**

The ornamental design for an LED light bulb, as shown and
described.

DESCRIPTION

FIG. 1 is a perspective view of an LED light bulb showing our
new design.

FIG. 2 is a front elevational view thereof.

FIG. 3 is a rear elevational view thereof.

FIG. 4 is a left-side, elevational view thereof.

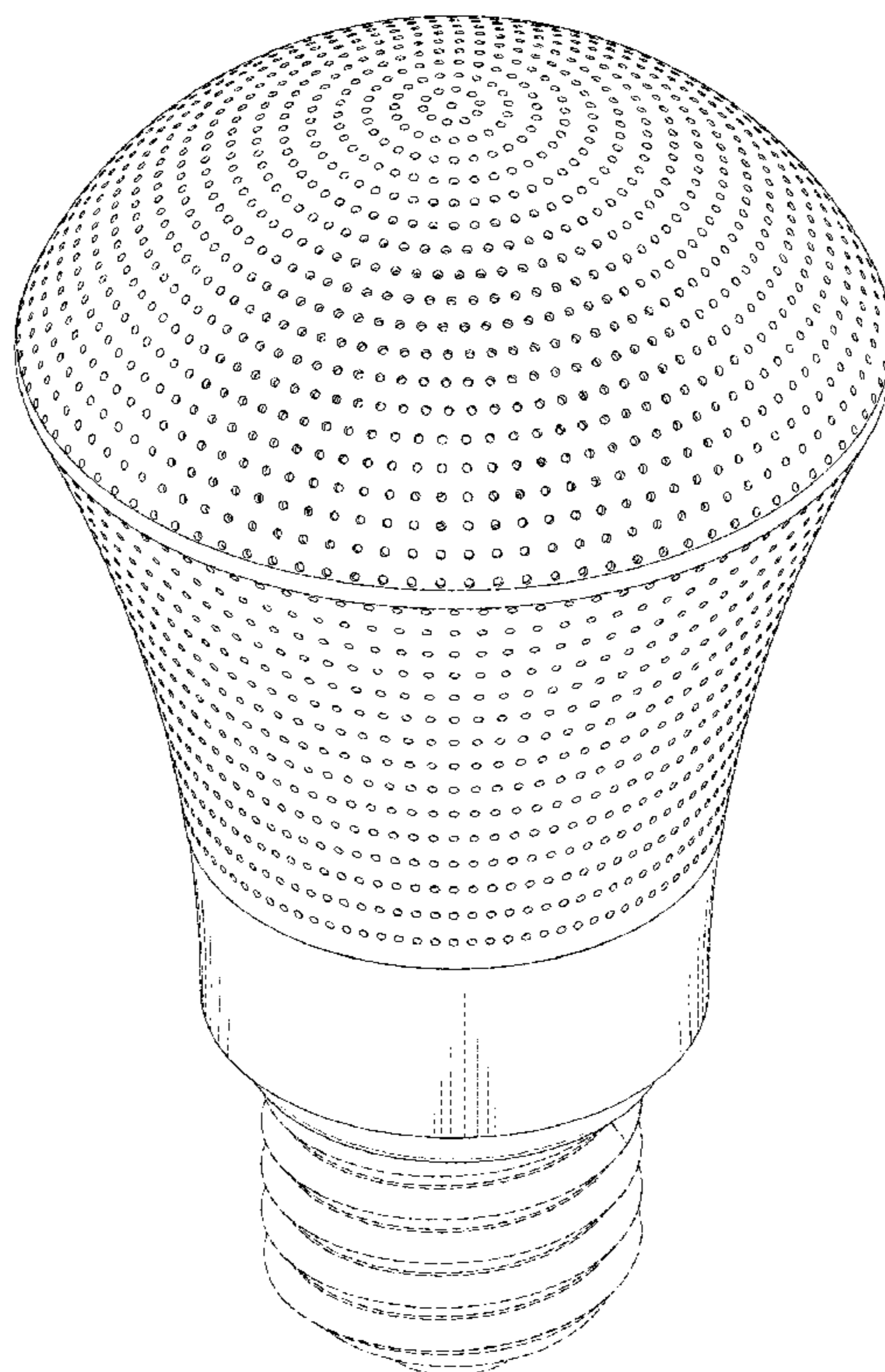
FIG. 5 is a right-side, elevational view thereof.

FIG. 6 is a top plan view thereof; and,

FIG. 7 is a bottom plan view thereof.

The broken lines shown in the drawings are for illustrative
purpose only and form no part of the claimed design.

1 Claim, 7 Drawing Sheets



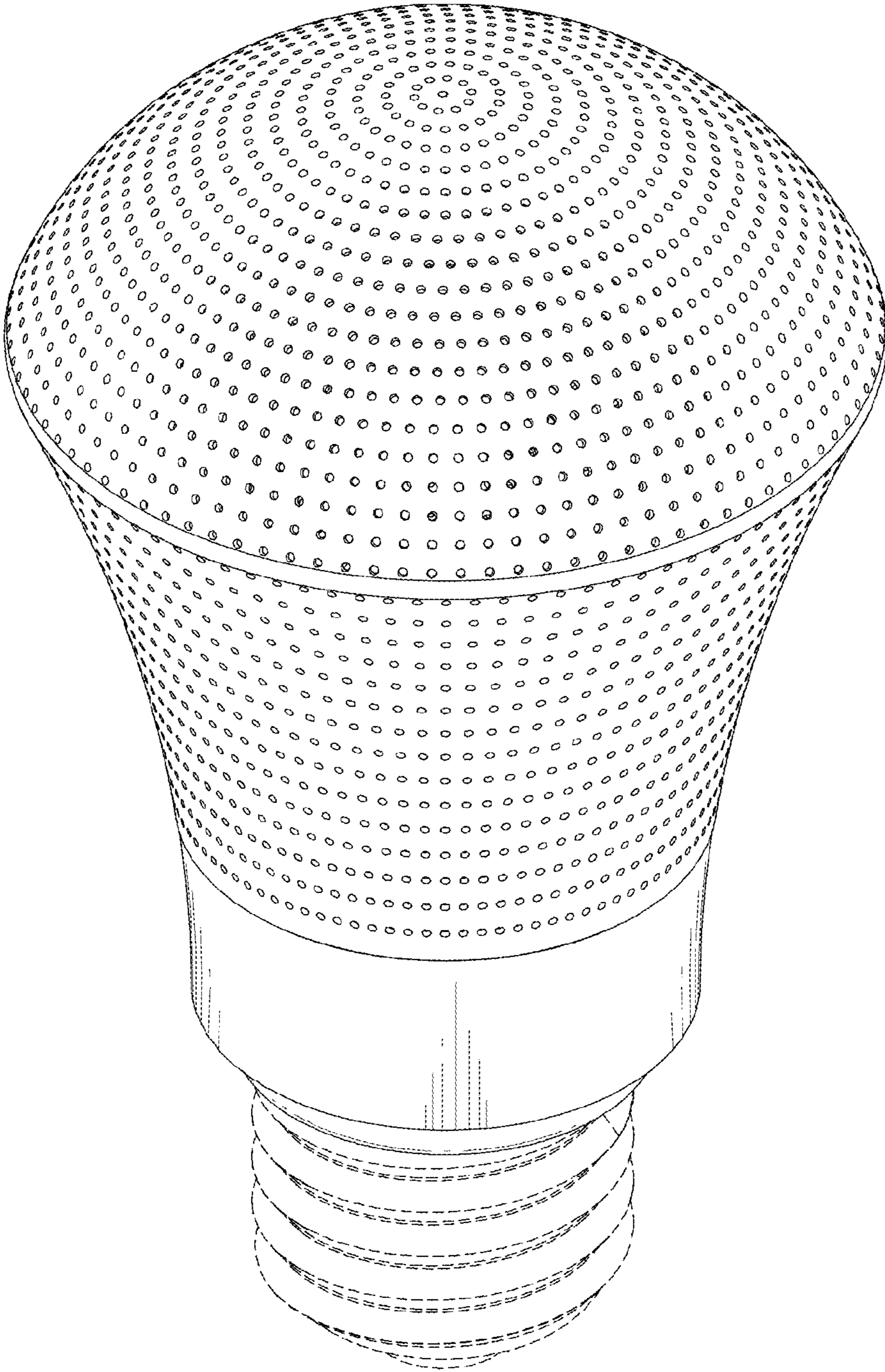


FIG. 1

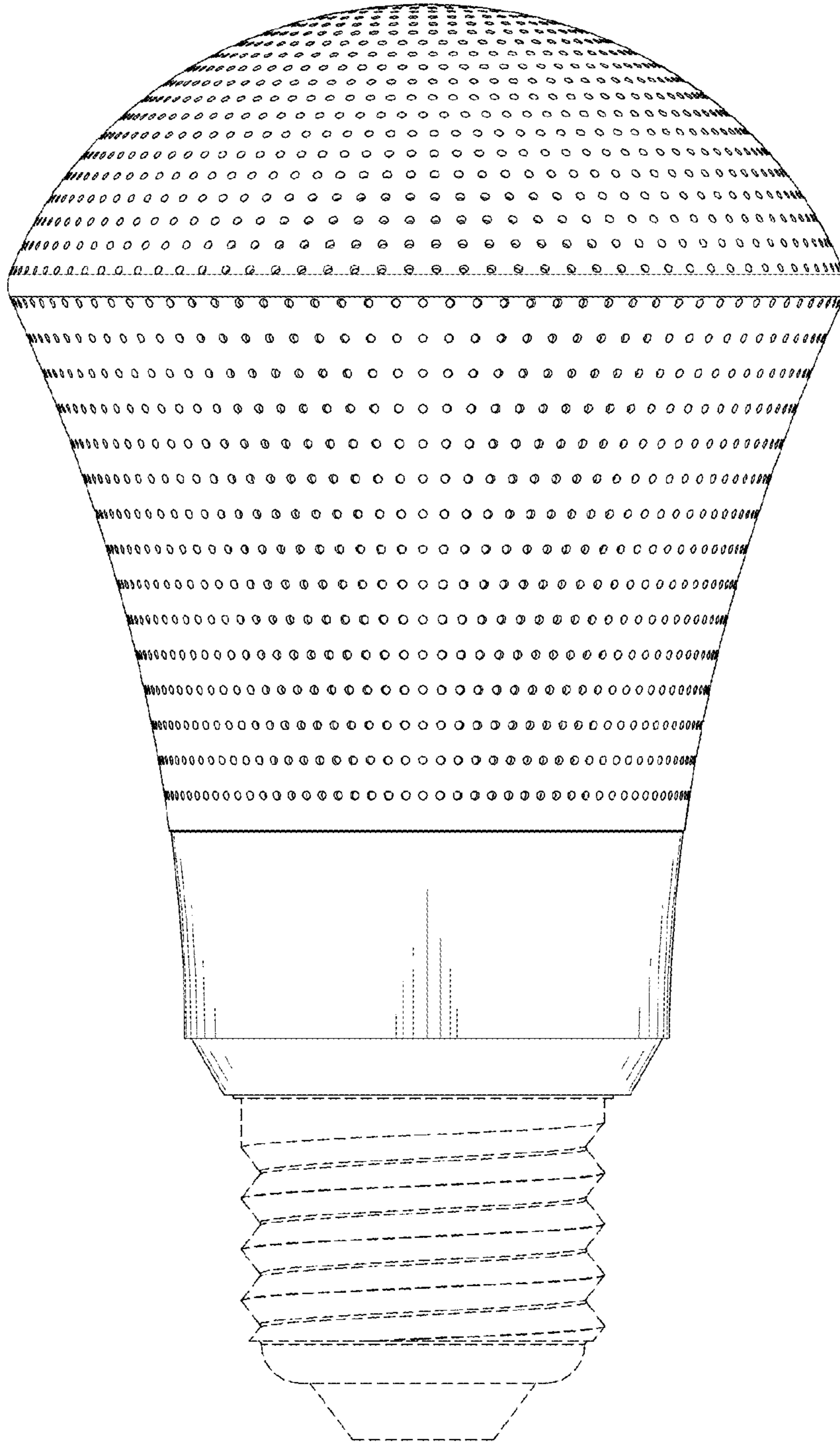


FIG. 2

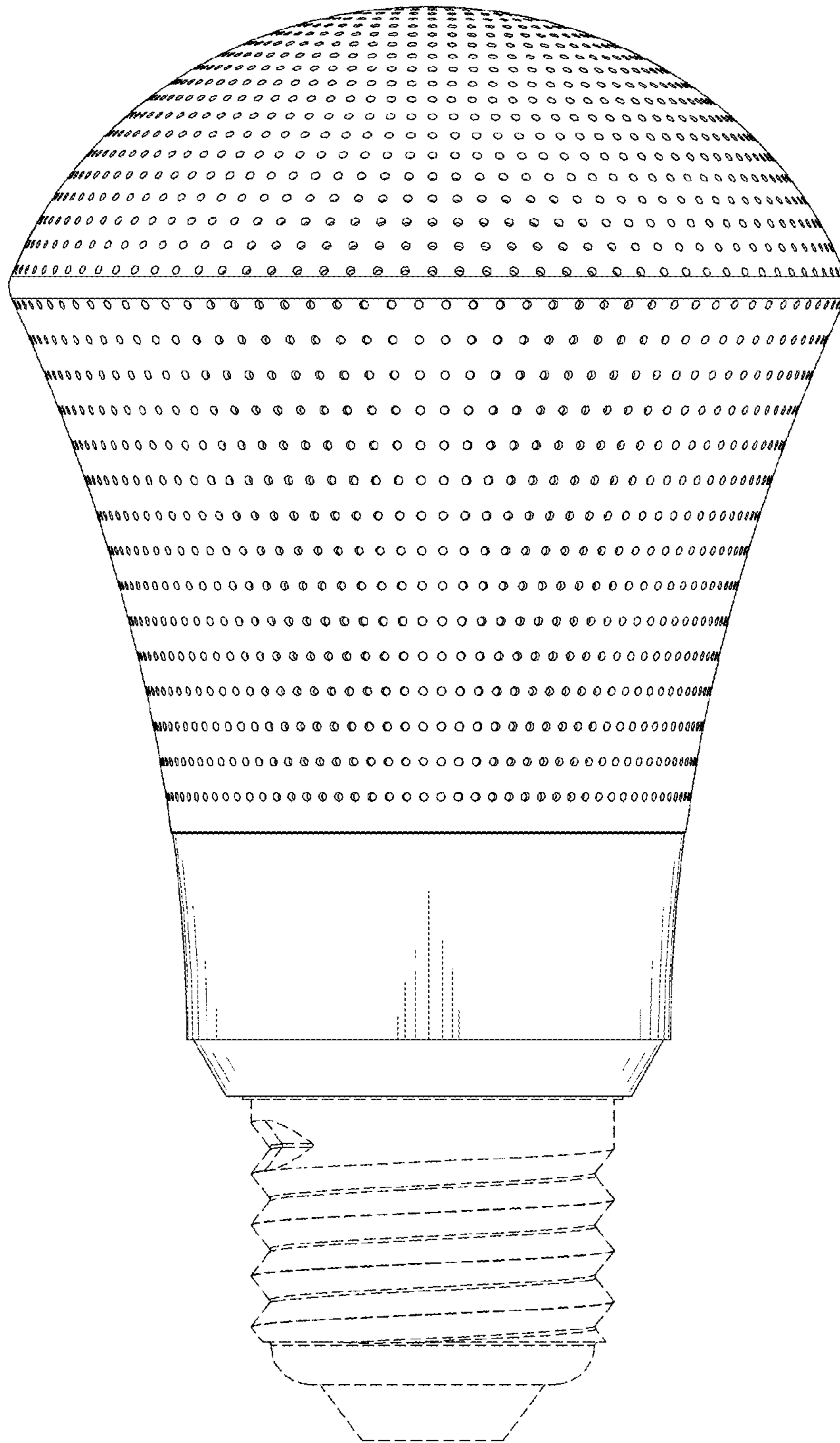


FIG. 3

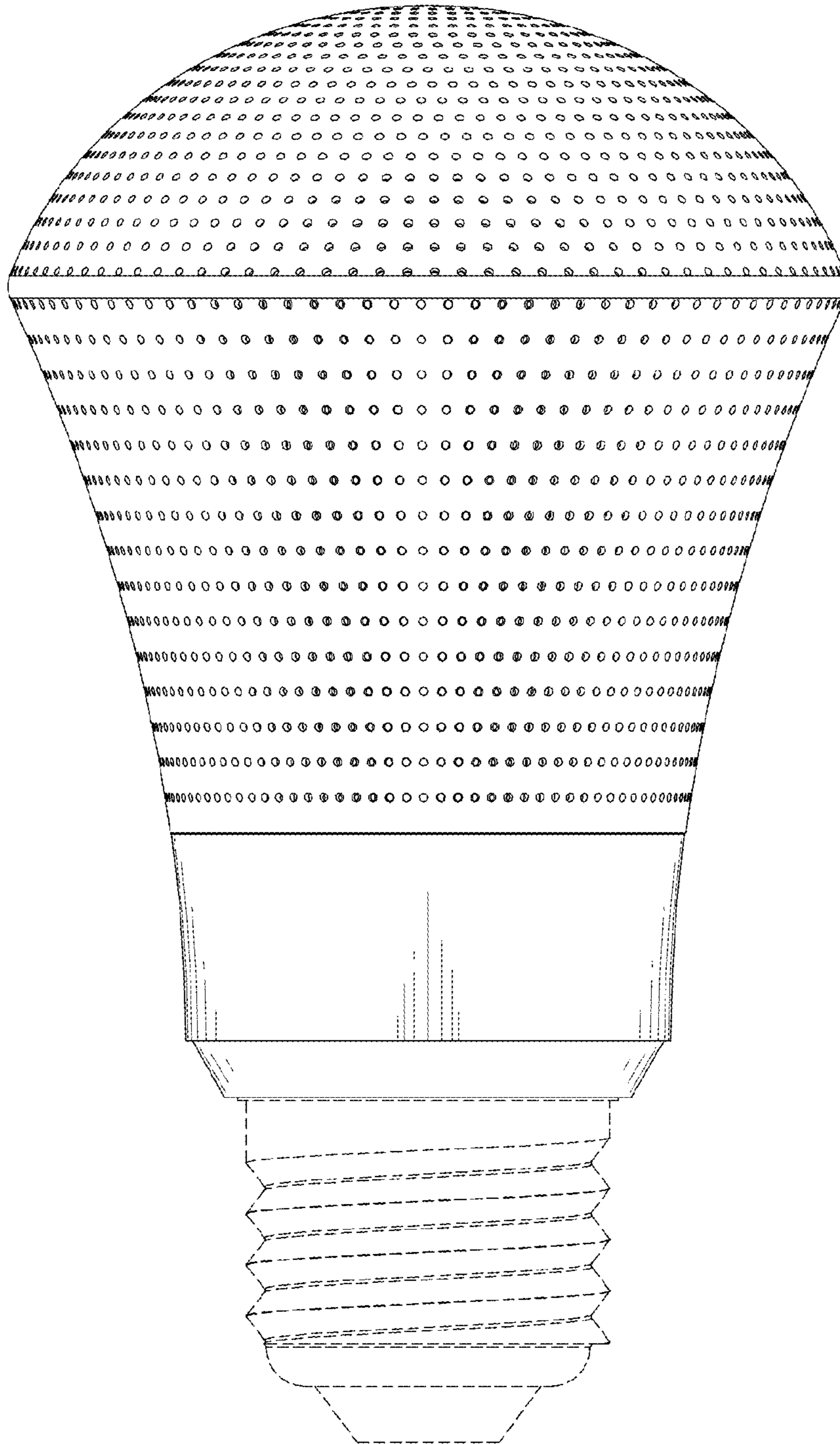


FIG. 4

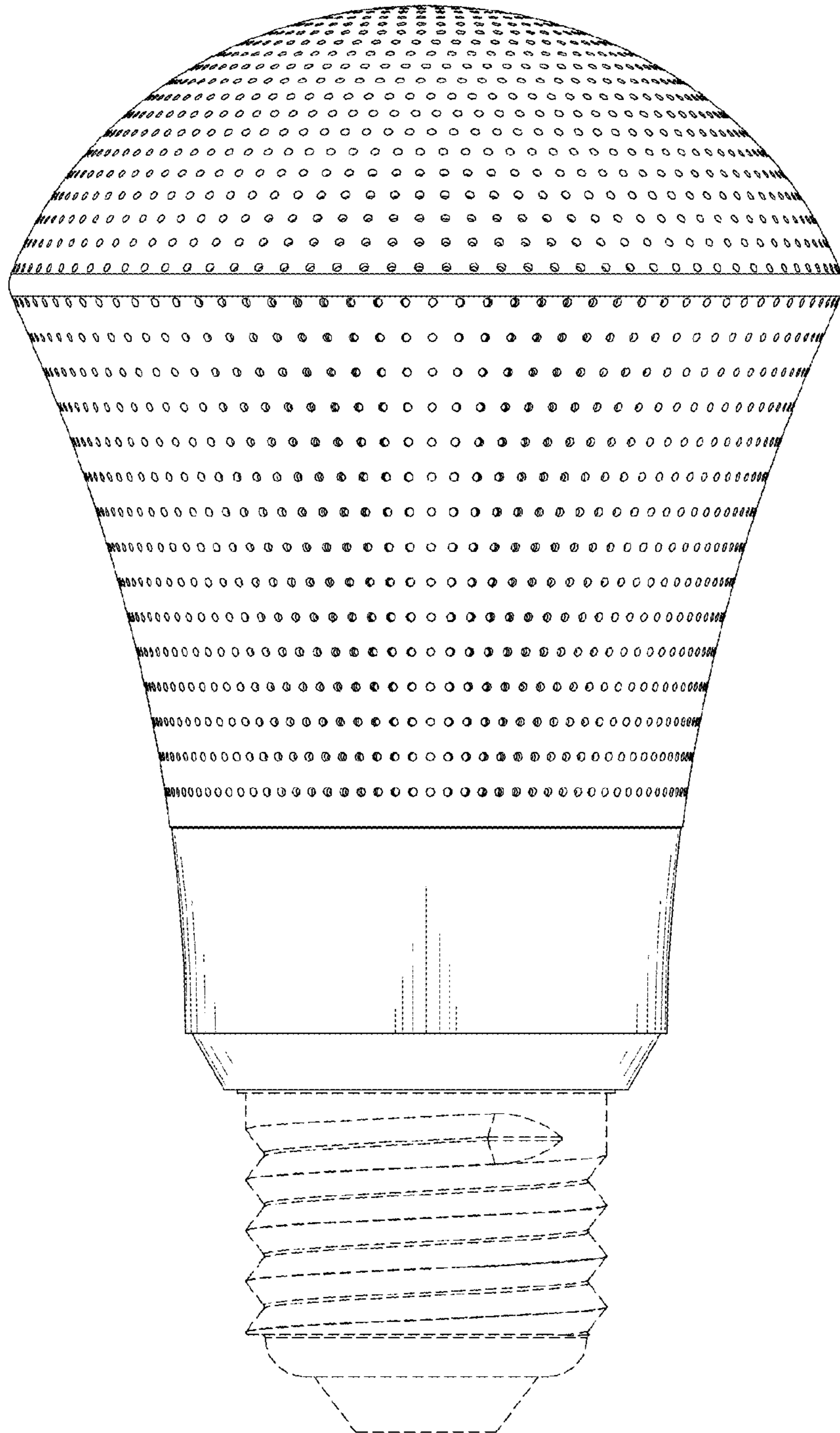


FIG. 5

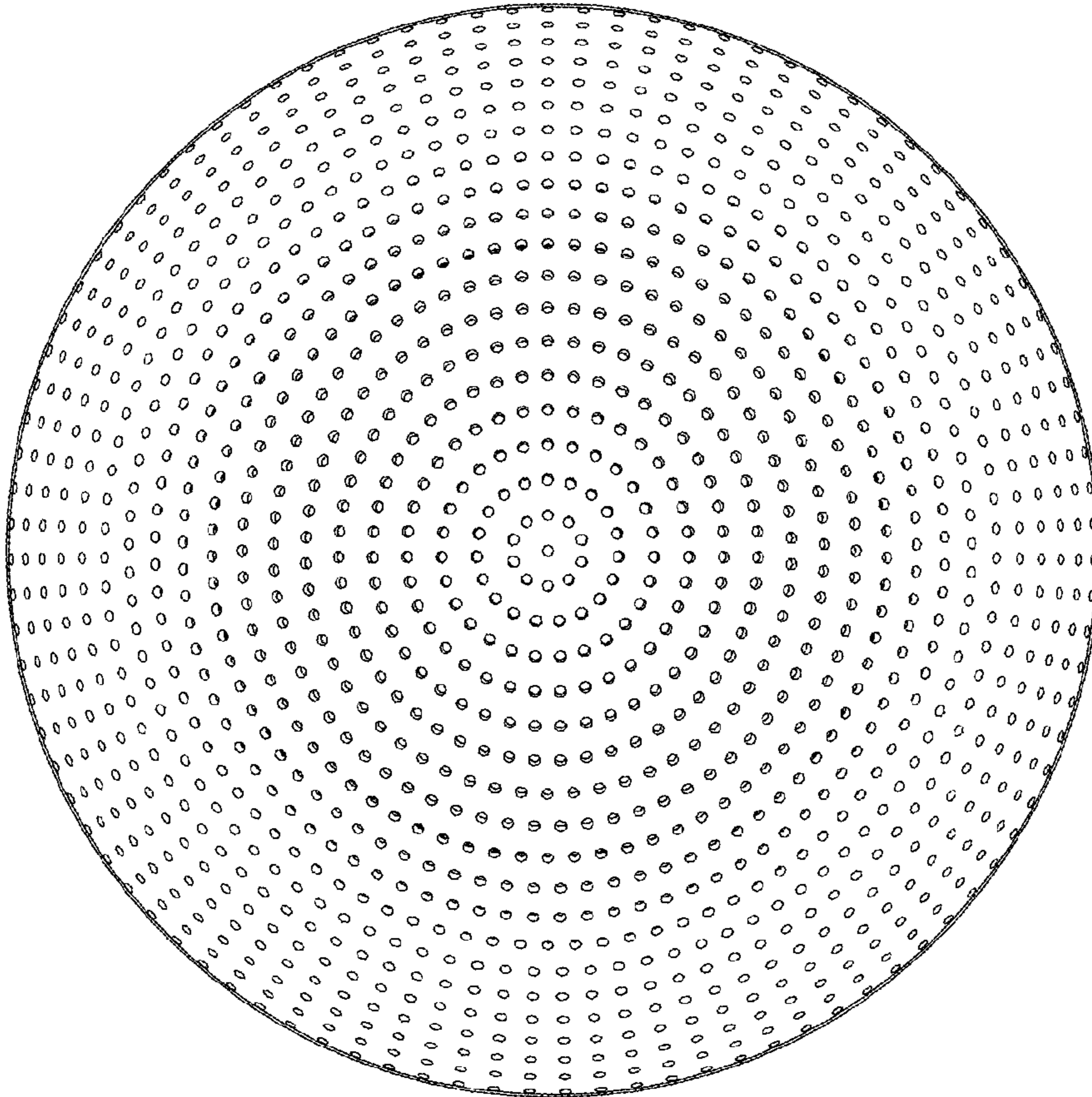


FIG. 6

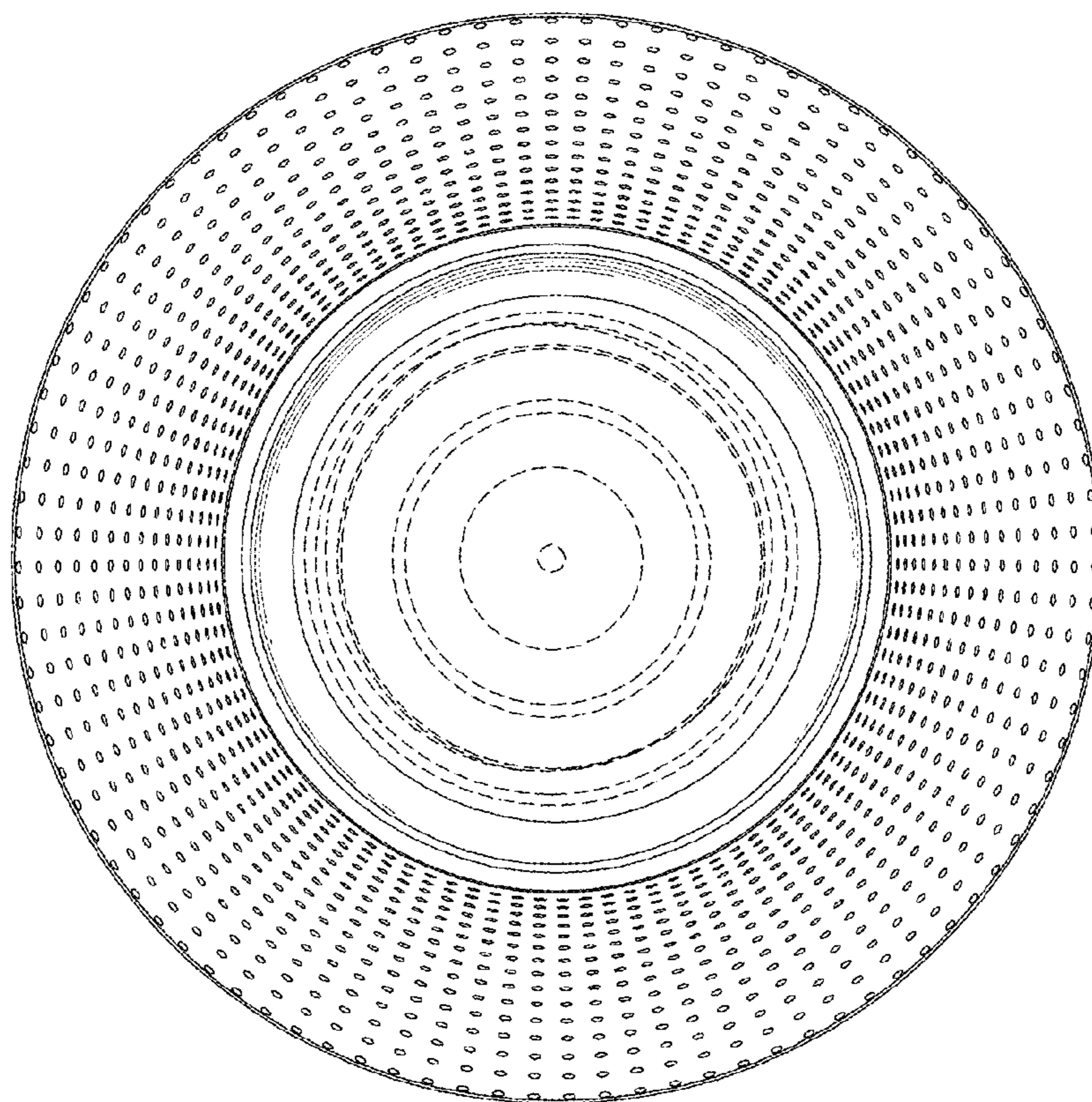


FIG. 7