



US00D719281S

(12) **United States Design Patent**
Derreumaux et al.

(10) **Patent No.:** **US D719,281 S**
(45) **Date of Patent:** **** Dec. 9, 2014**

(54) **BUILDING APRON**

(71) Applicant: **Onduline SA**, Levallois Perret (FR)

(72) Inventors: **Charles Derreumaux**, Hem (FR); **Melih Kamil**, Istanbul (TR)

(73) Assignee: **Onduline SA**, Levallois Perret (FR)

(**) Term: **14 Years**

(21) Appl. No.: **29/452,361**

(22) Filed: **Apr. 15, 2013**

(30) **Foreign Application Priority Data**

Oct. 16, 2012 (EP) 002119305-0005

(51) **LOC (10) Cl.** **25-01**

(52) **U.S. Cl.**
USPC **D25/141**

(58) **Field of Classification Search**
USPC D25/139, 140, 141; 52/57, 43, 41, 44,
52/56, 50, 698, 96, 92.3, 198; 428/43;
427/186

See application file for complete search history.

(56) **References Cited**

U.S. PATENT DOCUMENTS

1,755,412	A *	4/1930	Schmieder	52/277
2,984,945	A *	5/1961	Campbell	52/478
3,660,955	A *	5/1972	Simon	52/420
D253,735	S *	12/1979	Furley	D25/140
D275,325	S *	8/1984	Gustavsson	D25/140
5,094,058	A *	3/1992	Slocum	52/533
D473,327	S *	4/2003	Lynch	D25/141

* cited by examiner

Primary Examiner — Doris Clark

(74) *Attorney, Agent, or Firm* — Gordon Rees Scully Mansukhani LLP

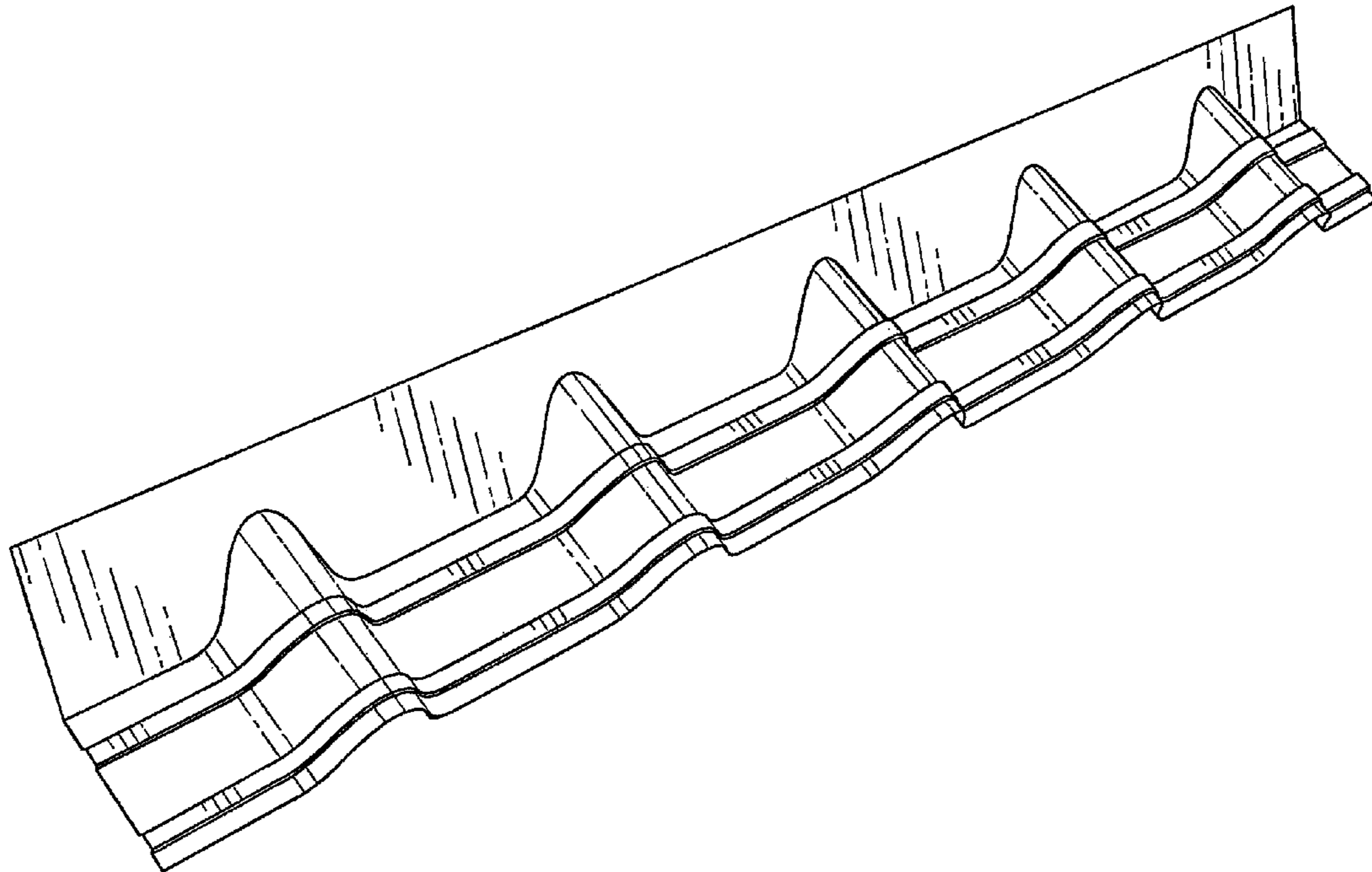
(57) **CLAIM**

We claim the ornamental design for a building apron, as shown and described.

DESCRIPTION

FIG. 1 is a front perspective view of the claimed building apron, showing our new design;
FIG. 2 is a top plan view thereof;
FIG. 3 is a bottom plan view thereof;
FIG. 4 is a right side elevation view thereof;
FIG. 5 is a left side elevation view thereof;
FIG. 6 is a rear view thereof; and,
FIG. 7 is a front view thereof.

1 Claim, 4 Drawing Sheets



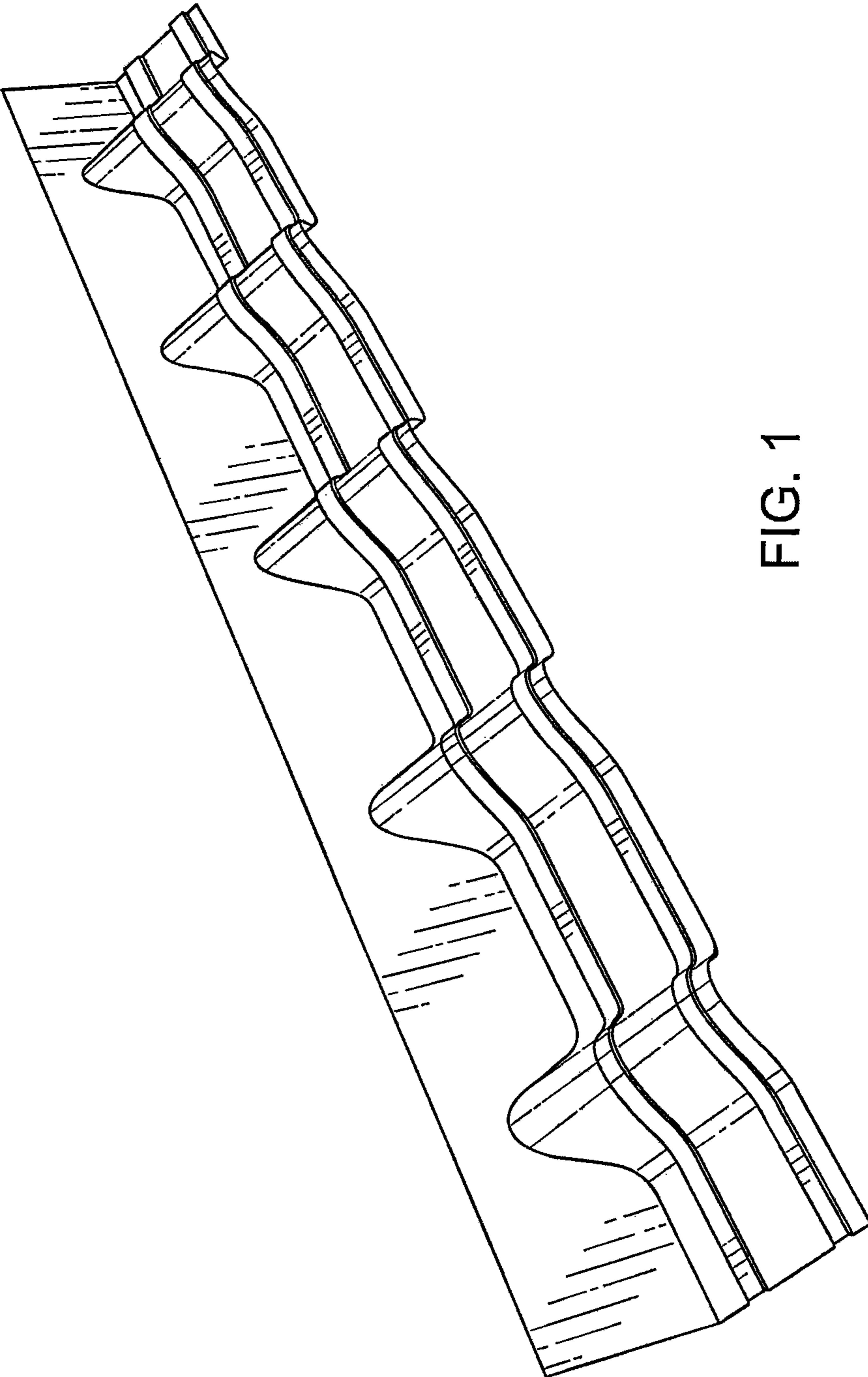


FIG. 1

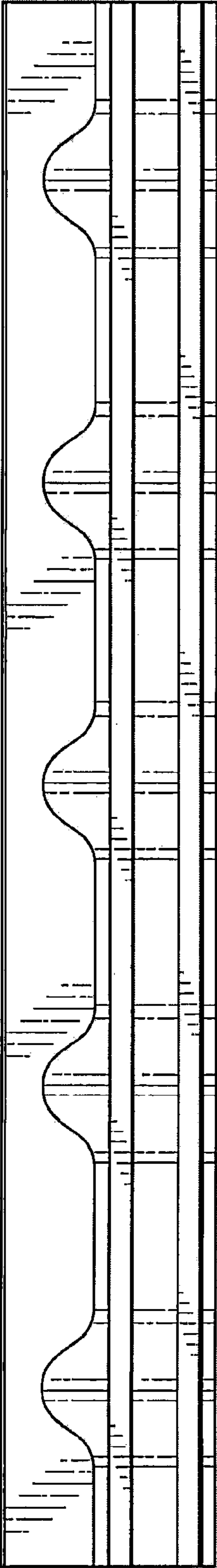


FIG. 2

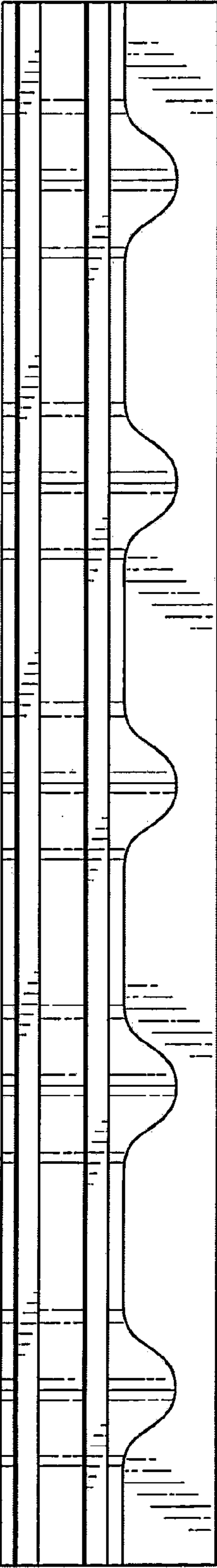


FIG. 3



FIG. 4

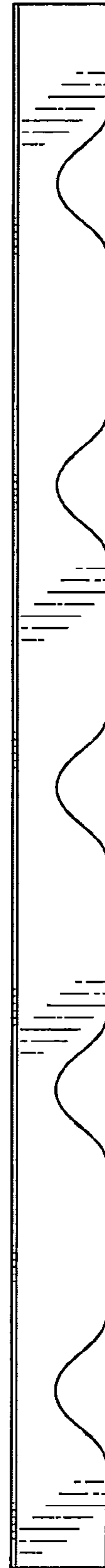


FIG. 5

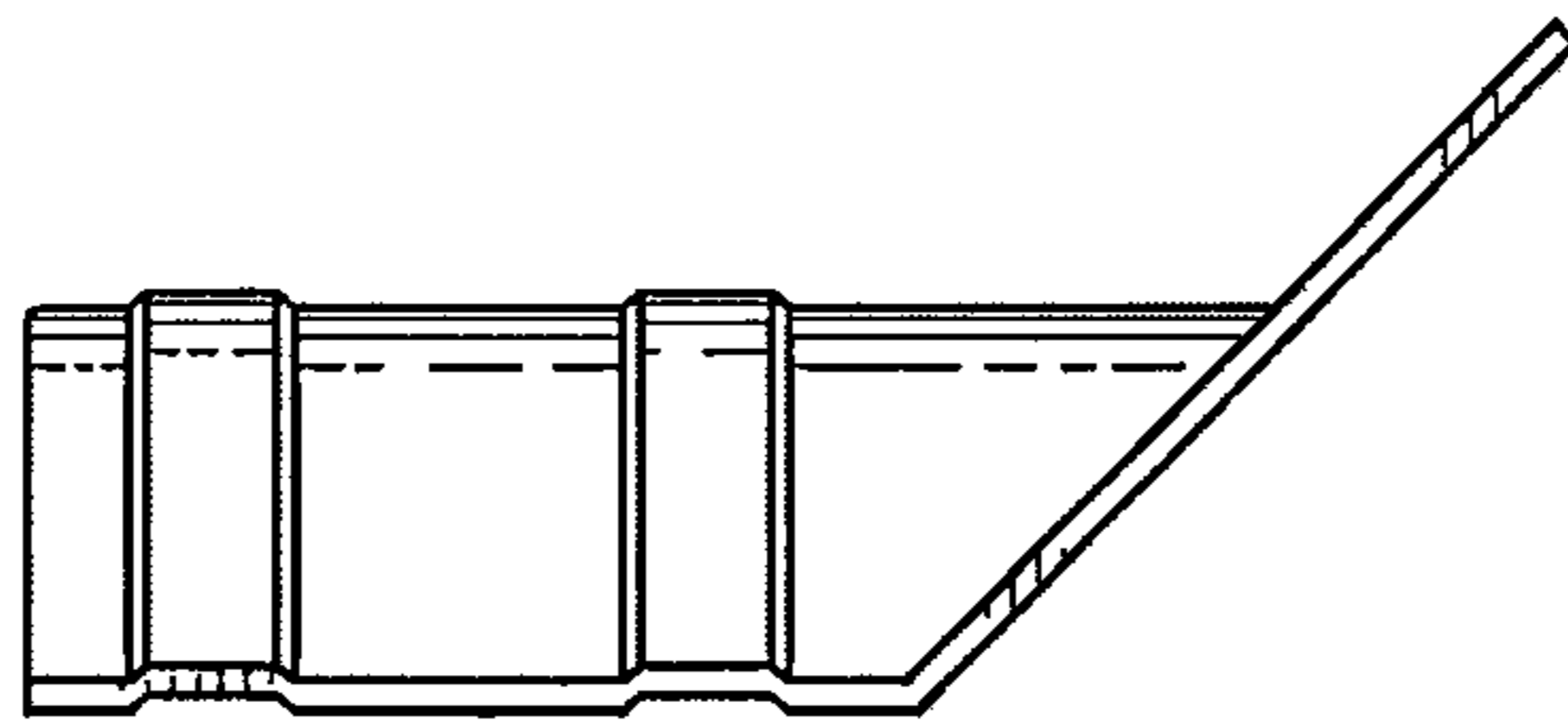


FIG. 6

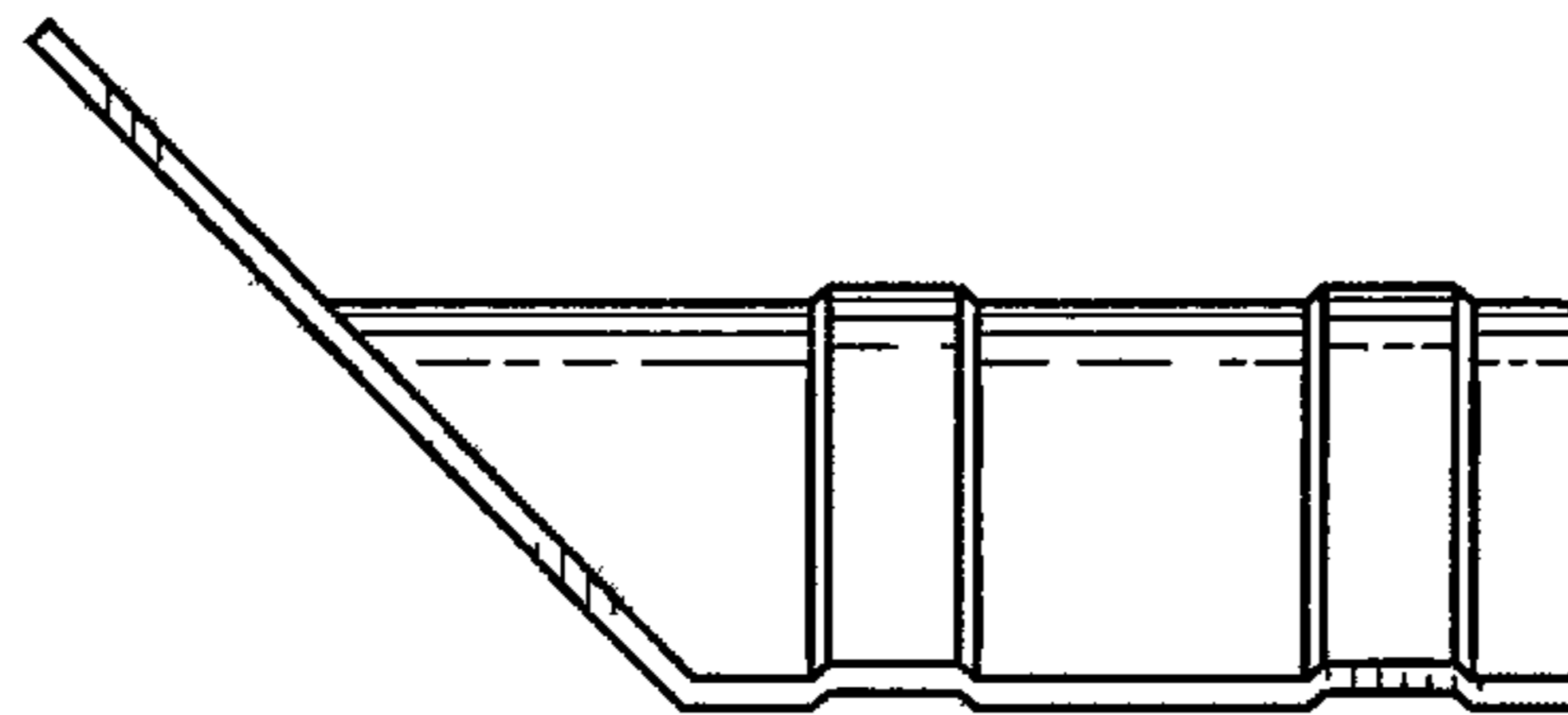


FIG. 7