



US00D719277S

(12) **United States Design Patent**  
**Miller et al.**

(10) **Patent No.:** **US D719,277 S**  
(45) **Date of Patent:** **\*\* Dec. 9, 2014**

(54) **ELECTROPHORESIS WEDGE-WELL COMB**

(75) Inventors: **Jennifer Miller**, Oceanside, CA (US);  
**Paul Predki**, Carlsbad, CA (US);  
**Timothy Updyke**, Temecula, CA (US);  
**Itay Sela**, Israel (IL); **Shimon Spector**,  
Matan (IL)

(73) Assignee: **Life Technologies Corporation**,  
Carlsbad, CA (US)

(\*\*) Term: **14 Years**

(21) Appl. No.: **29/423,582**

(22) Filed: **Jun. 1, 2012**

**Related U.S. Application Data**

(63) Continuation-in-part of application No. 12/862,333,  
filed on Aug. 24, 2010, now abandoned, and a  
continuation-in-part of application No. 12/862,460,  
filed on Aug. 24, 2010, now abandoned.

(51) **LOC (10) Cl.** ..... **24-01**

(52) **U.S. Cl.**  
USPC ..... **D24/233**

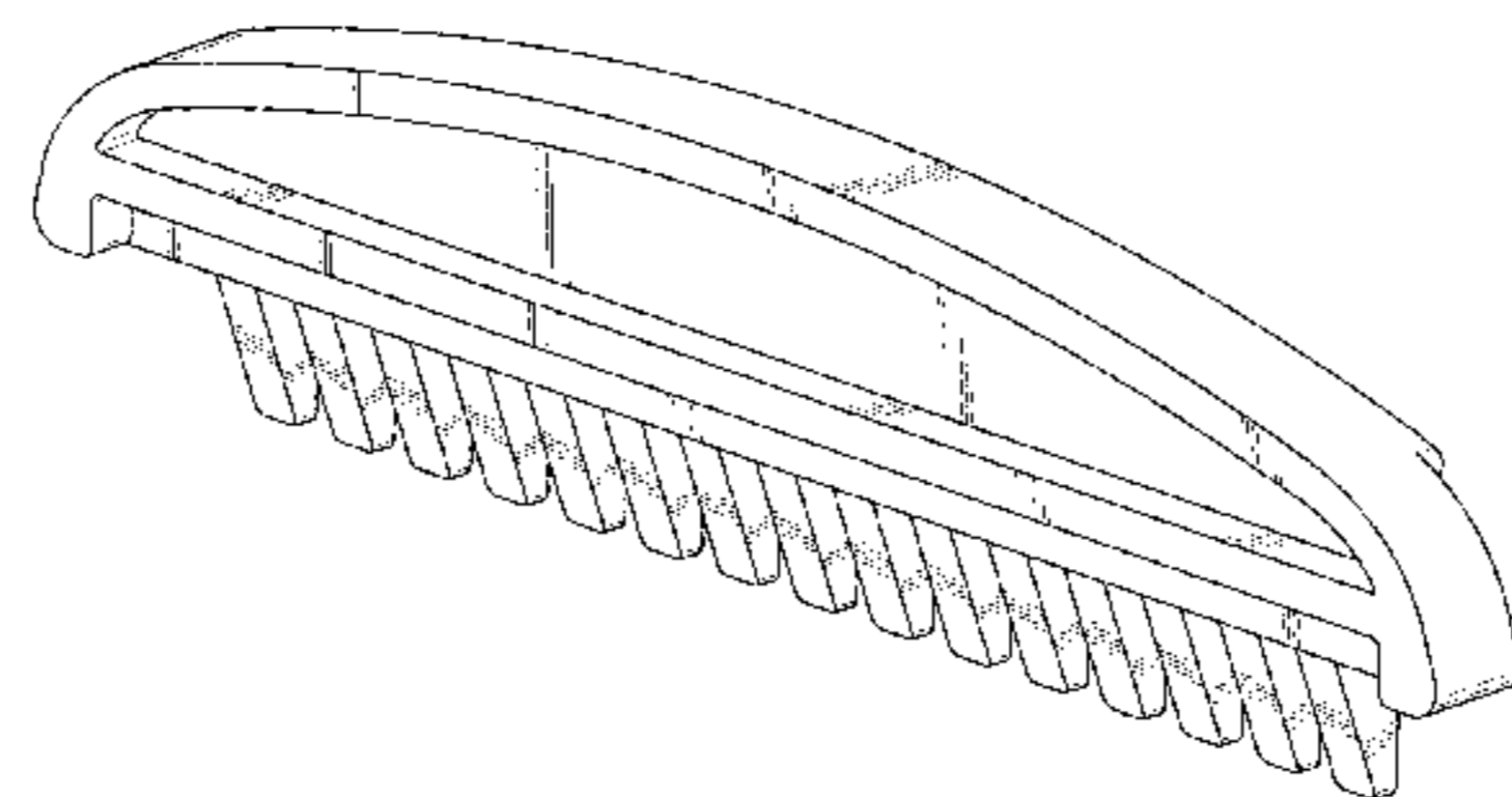
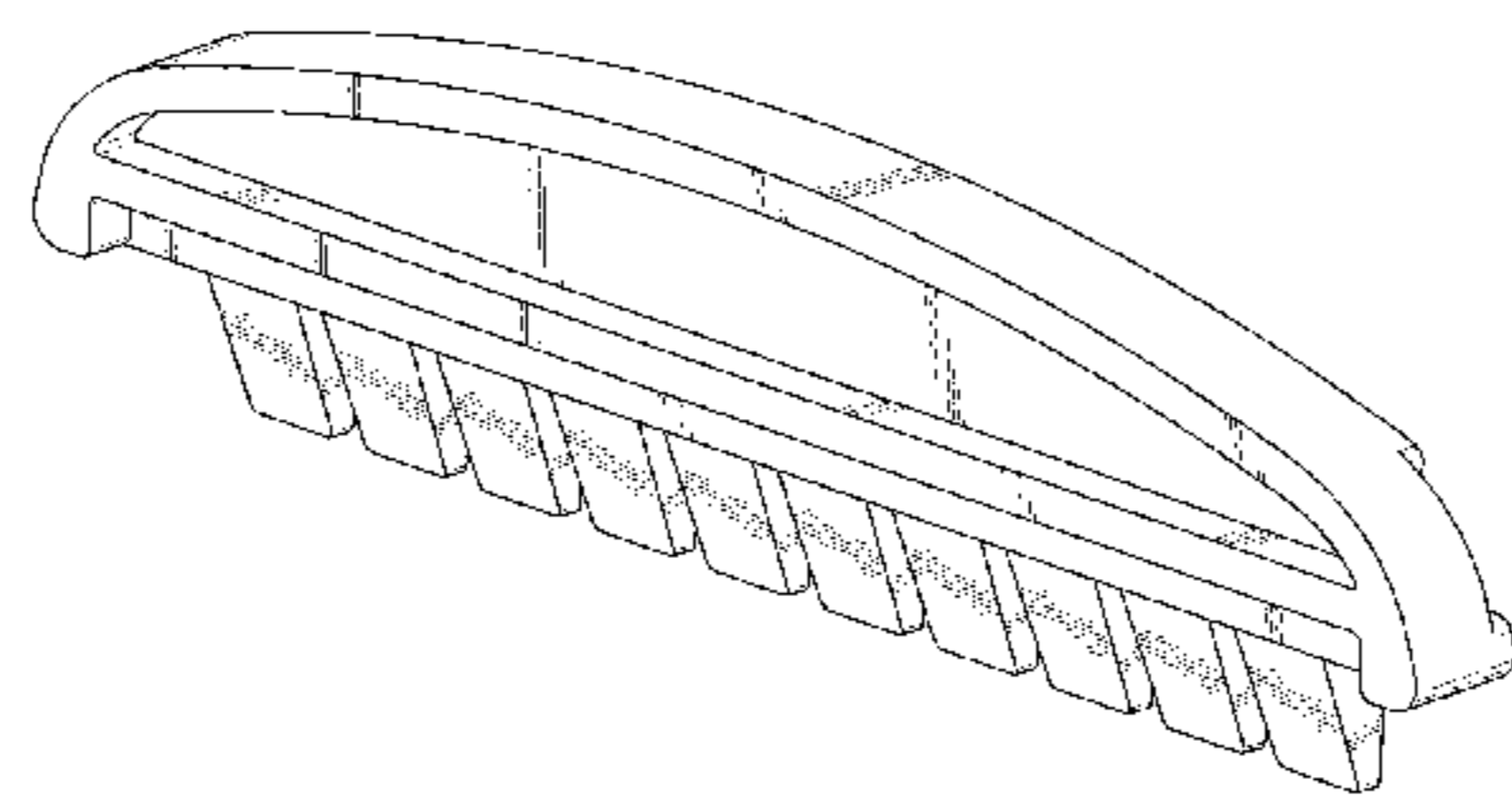
(58) **Field of Classification Search**  
USPC ..... D24/216-217, 220-221, 224-232;  
D10/81; D28/21-22, 28; 204/605-606,  
204/601, 615-616, 618-620, 456, 465-467  
See application file for complete search history.

(56) **References Cited**

**U.S. PATENT DOCUMENTS**

3,620,947 A	11/1971	Allen et al.	
D231,609 S	5/1974	Broek et al.	
4,164,464 A	8/1979	Allington et al.	
4,294,684 A *	10/1981	Serwer	204/620
D282,352 S	1/1986	Hoefler et al.	
4,608,146 A	8/1986	Penaluna	
4,773,984 A	9/1988	Flesher et al.	
4,795,541 A *	1/1989	Hurd et al.	204/620
4,810,348 A	3/1989	Sarrine et al.	
4,830,725 A	5/1989	Berninger et al.	
D303,007 S	8/1989	Flesher et al.	

D315,952 S	4/1991	Berninger et al.	
5,073,246 A *	12/1991	Chu et al.	204/619
5,147,522 A	9/1992	Sarrine et al.	
5,284,565 A	2/1994	Chu et al.	
5,318,682 A	6/1994	Singer	
5,338,426 A *	8/1994	Shigeura et al.	204/620
5,407,552 A *	4/1995	Lebacq	204/619
5,411,657 A *	5/1995	Leka	204/618
D367,713 S *	3/1996	La Motte	D10/81
5,514,255 A *	5/1996	Gautsch	204/620
5,618,399 A *	4/1997	Gautsch et al.	204/620
5,626,735 A	5/1997	Chu et al.	
5,627,022 A	5/1997	Renfrew et al.	
5,632,877 A	5/1997	Van Atta	
5,656,145 A	8/1997	Nguyen et al.	
5,685,967 A	11/1997	Manis et al.	
5,717,602 A	2/1998	Kenning	
5,785,835 A	7/1998	Saito et al.	
5,799,773 A	9/1998	Heffelfinger et al.	
5,800,691 A	9/1998	Kozulic	
5,891,314 A	4/1999	Heffelfinger et al.	
5,897,760 A	4/1999	Heffelfinger et al.	
5,949,899 A	9/1999	Ng	
5,951,838 A	9/1999	Heffelfinger et al.	
5,972,188 A *	10/1999	Rice et al.	204/456
5,989,403 A *	11/1999	Provonchee	204/619
5,993,628 A	11/1999	Selby et al.	
6,063,250 A	5/2000	Becker et al.	
RE36,826 E	8/2000	Fujimiya et al.	
D430,304 S	8/2000	Oonuma et al.	
6,110,344 A *	8/2000	Renfrew et al.	204/620
6,139,709 A	10/2000	Scott	
6,231,813 B1	5/2001	Ally et al.	
6,521,111 B1 *	2/2003	Amshey et al.	204/616
6,544,395 B1 *	4/2003	Merchant et al.	204/467
D516,733 S	3/2006	Pedraza et al.	
D524,948 S	7/2006	Pedraza et al.	
7,135,101 B2 *	11/2006	Atchison et al.	204/467
D564,378 S	3/2008	Kaushal et al.	
D564,924 S	3/2008	Kaushal et al.	
D667,134 S	9/2012	Updyke et al.	
2002/0079222 A1	6/2002	Sevigny et al.	
2003/0157720 A1	8/2003	Li	
2003/0168339 A1	9/2003	Audeh et al.	
2003/0207271 A1	11/2003	Holwitt et al.	
2004/0033591 A1	2/2004	Lubman et al.	
2004/0036036 A1	2/2004	Atkinson et al.	
2005/0089930 A1	4/2005	Schneider et al.	
2005/0103633 A1	5/2005	Tseng	
2005/0213093 A1	9/2005	Nordman et al.	
2006/0032747 A1	2/2006	Anderson et al.	
2006/0176461 A1	8/2006	Sekine	
2006/0176481 A1	8/2006	Forest et al.	



2007/0045118	A1	3/2007	Maruo et al.
2007/0102298	A1	5/2007	Riveron Rojas et al.
2007/0278102	A1	12/2007	Hayashida et al.
2007/0284250	A1	12/2007	Magnant et al.
2008/0142365	A1	6/2008	Kober et al.
2008/0272002	A1	11/2008	Johansen et al.
2011/0042213	A1	2/2011	Updyke et al.
2011/0042217	A1	2/2011	Updyke et al.
2011/0114487	A1	5/2011	Schmidt et al.
2012/0247958	A1	10/2012	Updyke et al.
2013/0175172	A1	7/2013	Updyke

FOREIGN PATENT DOCUMENTS

WO	WO98/25136	6/1998
WO	WO2011/025781	3/2011
WO	WO2011/028532	3/2011

OTHER PUBLICATIONS

Bio-Rad, "Automating electrophoresis with the new Experion (TM) System", *BioRadiations*, vol. 115, Jan. 1, 2005, 2-3.

International Application No. PCT/US10/46506, International Search Report and Written Opinion nailed on Oct. 15, 2010.

Intl Application No. PCT/US2010/046491, International Preliminary Report mailed Mar. 8, 2012.

\* cited by examiner

Primary Examiner — Wan Laymon

(57) CLAIM

The ornamental design for an electrophoresis wedge-well comb, as shown and described.

DESCRIPTION

FIG. 1 is a front, top and side perspective view of an electrophoresis wedge-well comb, according to an exemplary embodiment;

FIG. 2 is a back, top and side perspective view of the electrophoresis wedge-well comb of FIG. 1;

FIG. 3 is a front view of the electrophoresis wedge-well comb of FIG. 1;

FIG. 4 is a back view of the electrophoresis wedge-well comb of FIG. 1;

FIG. 5 is a right side view of the electrophoresis wedge-well comb of FIG. 1;

FIG. 6 is a left side view of the electrophoresis wedge-well comb of FIG. 1;

FIG. 7 is a top view of the electrophoresis wedge-well comb of FIG. 1;

FIG. 8 is a bottom view of the electrophoresis wedge-well comb of FIG. 1;

FIG. 9 is a front, top and side perspective view of an electrophoresis wedge-well comb, according to an exemplary embodiment;

FIG. 10 is a back, top and side perspective view of the electrophoresis wedge-well comb of FIG. 9;

FIG. 11 is a front view of the electrophoresis wedge-well comb of FIG. 9;

FIG. 12 is a back view of the electrophoresis wedge-well comb of FIG. 9;

FIG. 13 is a right side view of the electrophoresis wedge well comb of FIG. 9;

FIG. 14 is a left side view of the electrophoresis wedge-well comb of FIG. 9;

FIG. 15 is a top view of the electrophoresis wedge-well comb of FIG. 9;

FIG. 16 is a bottom view of the electrophoresis wedge-well comb of FIG. 9;

FIG. 17 is a front, top and side perspective view of an electrophoresis wedge-well comb, according to an exemplary embodiment;

FIG. 18 is a back, top and side perspective view of the electrophoresis wedge-well comb of FIG. 17;

FIG. 19 is a front view of the electrophoresis wedge-well comb of FIG. 17;

FIG. 20 is a back view of the electrophoresis wedge-well comb of FIG. 17;

FIG. 21 is a right side view of the electrophoresis wedge well comb of FIG. 17;

FIG. 22 is a left side view of the electrophoresis wedge-well comb of FIG. 17;

FIG. 23 is a top view of the electrophoresis wedge-well comb of FIG. 17;

FIG. 24 is a bottom view of the electrophoresis wedge-well comb of FIG. 17;

FIG. 25 is a front, top and side perspective view of an electrophoresis wedge-well comb, according to an exemplary embodiment;

FIG. 26 is a back, top and side perspective view of the electrophoresis wedge-well comb of FIG. 25;

FIG. 27 is a front view of the electrophoresis wedge-well comb of FIG. 25;

FIG. 28 is a back view of the electrophoresis wedge-well comb of FIG. 25;

FIG. 29 is a right side view of the electrophoresis wedge-well comb of FIG. 25;

FIG. 30 is a left side view of the electrophoresis wedge-well comb of FIG. 25;

FIG. 31 is a top view of the electrophoresis wedge-well comb of FIG. 25; and,

FIG. 32 is a bottom view of the electrophoresis wedge-well comb of FIG. 25.

1 Claim, 24 Drawing Sheets

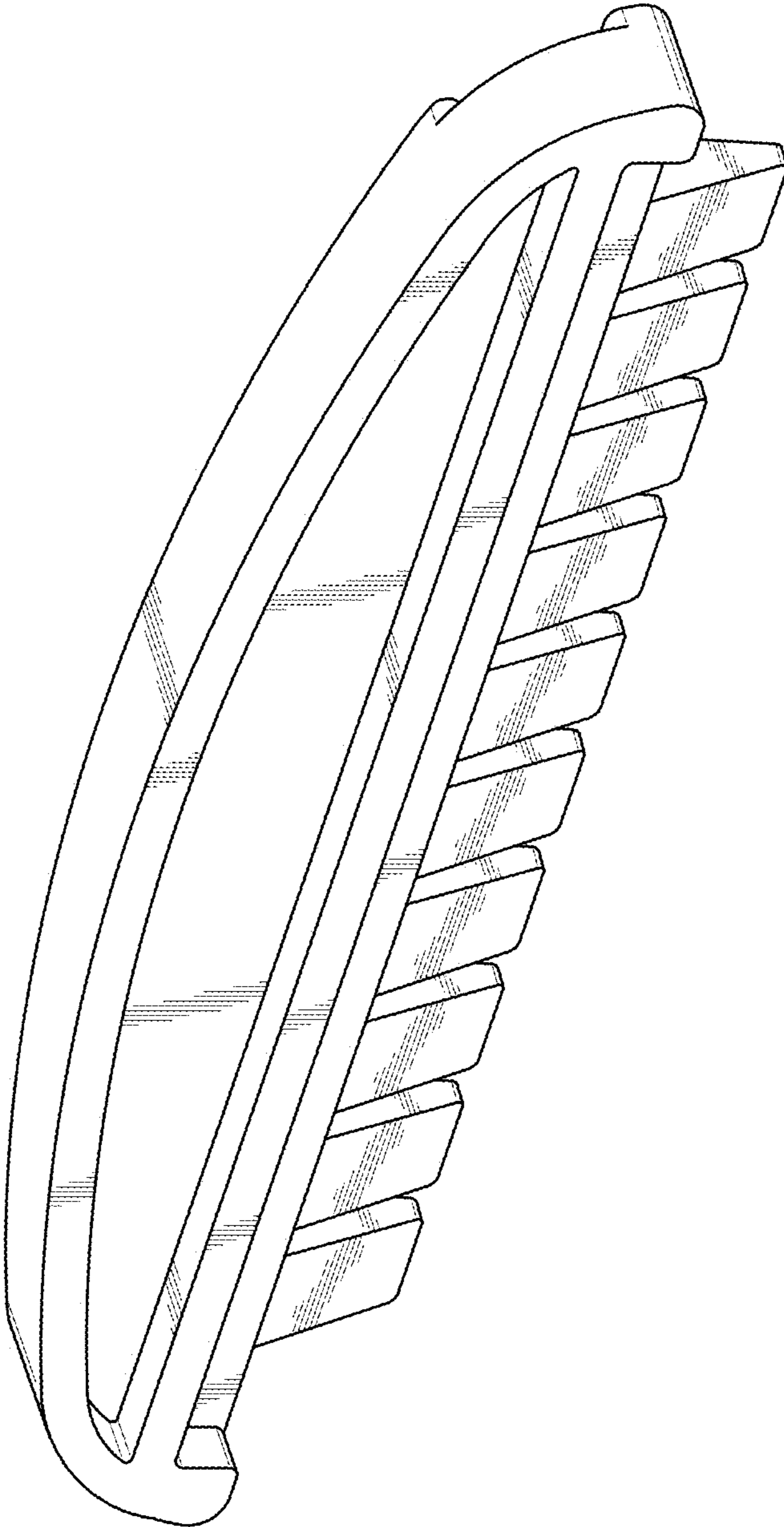


FIG. 1

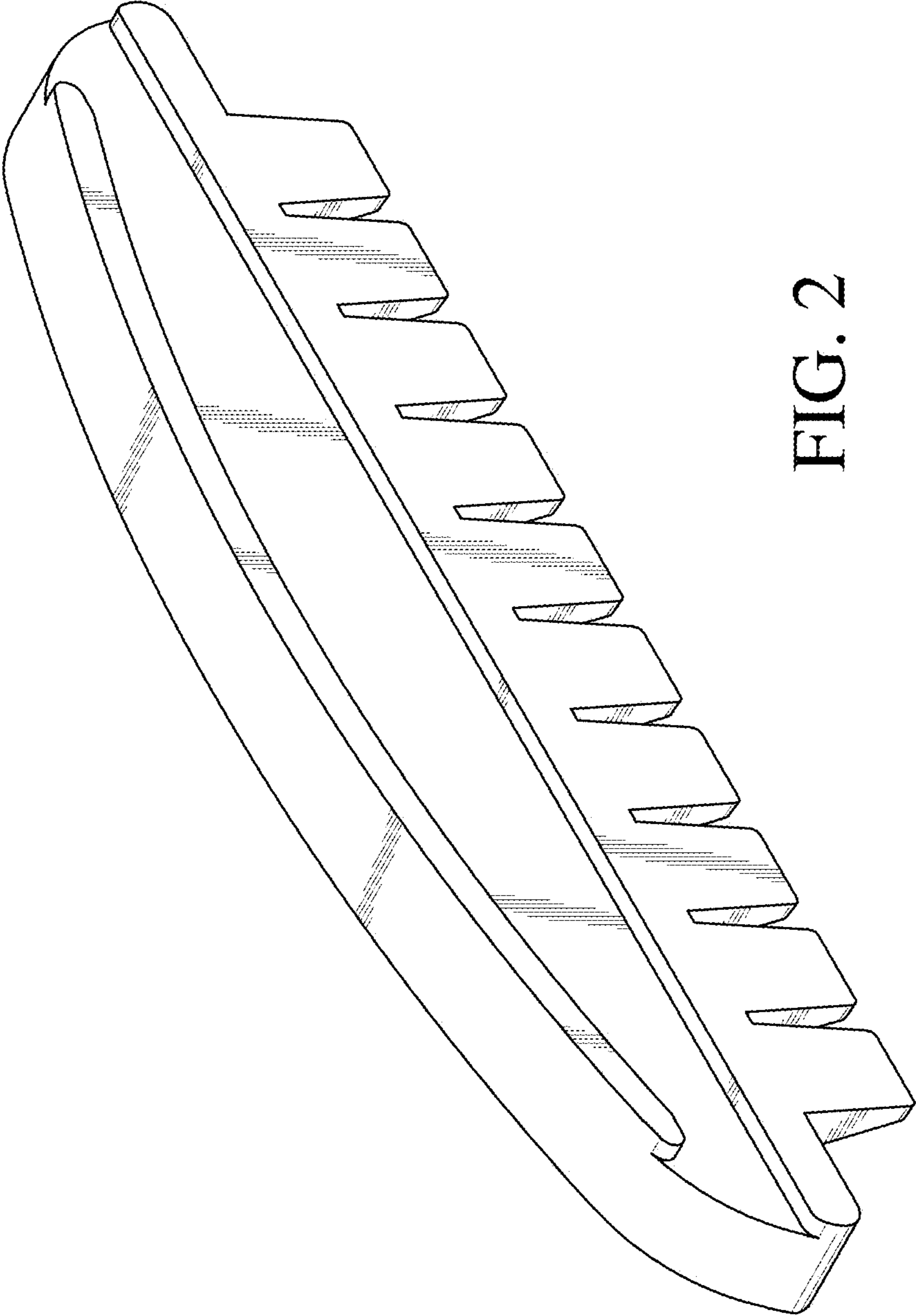


FIG. 2

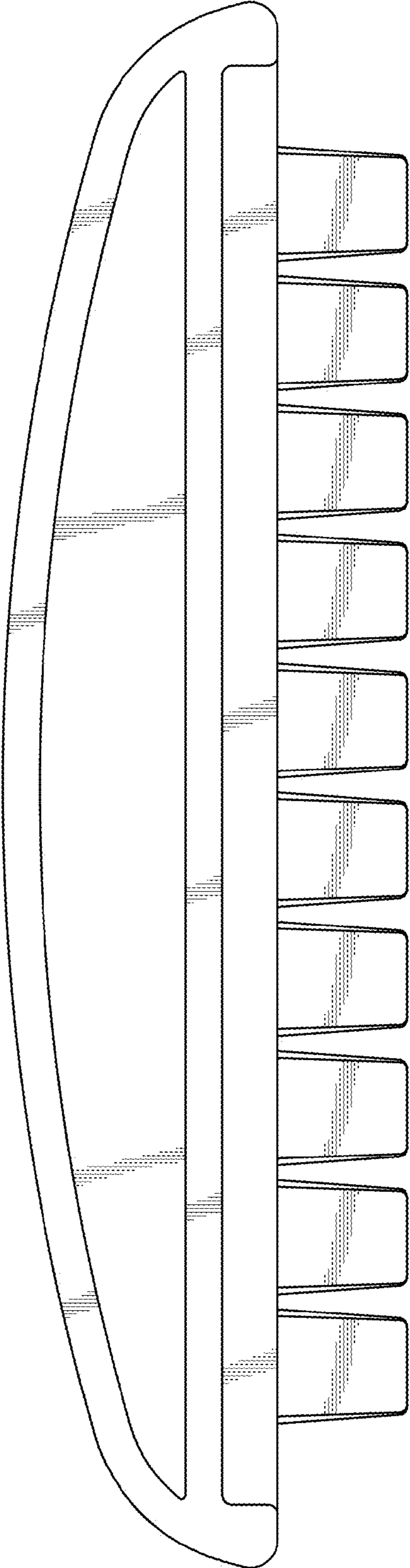


FIG. 3

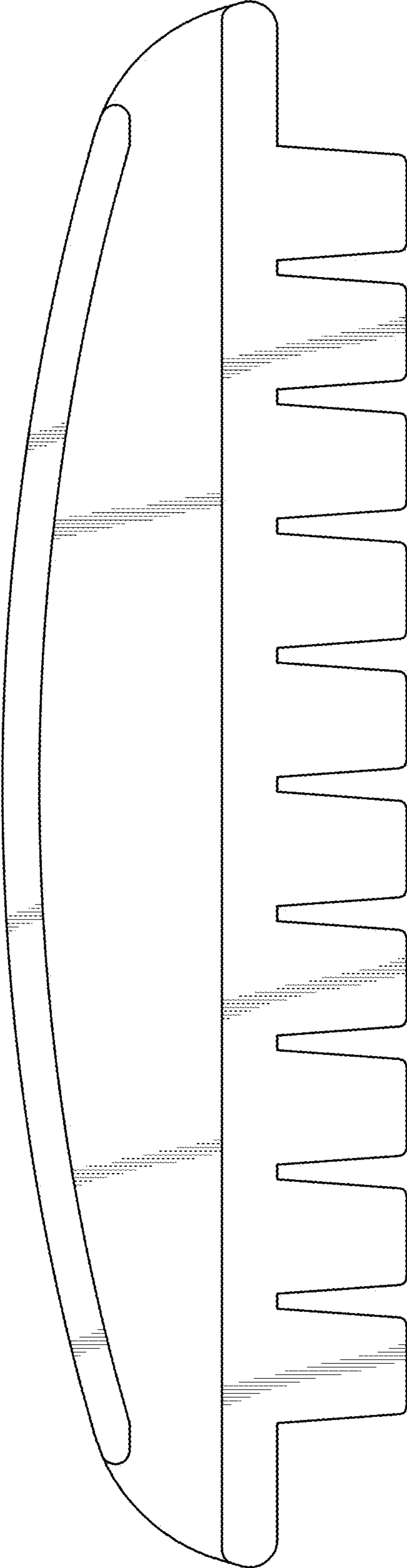


FIG. 4

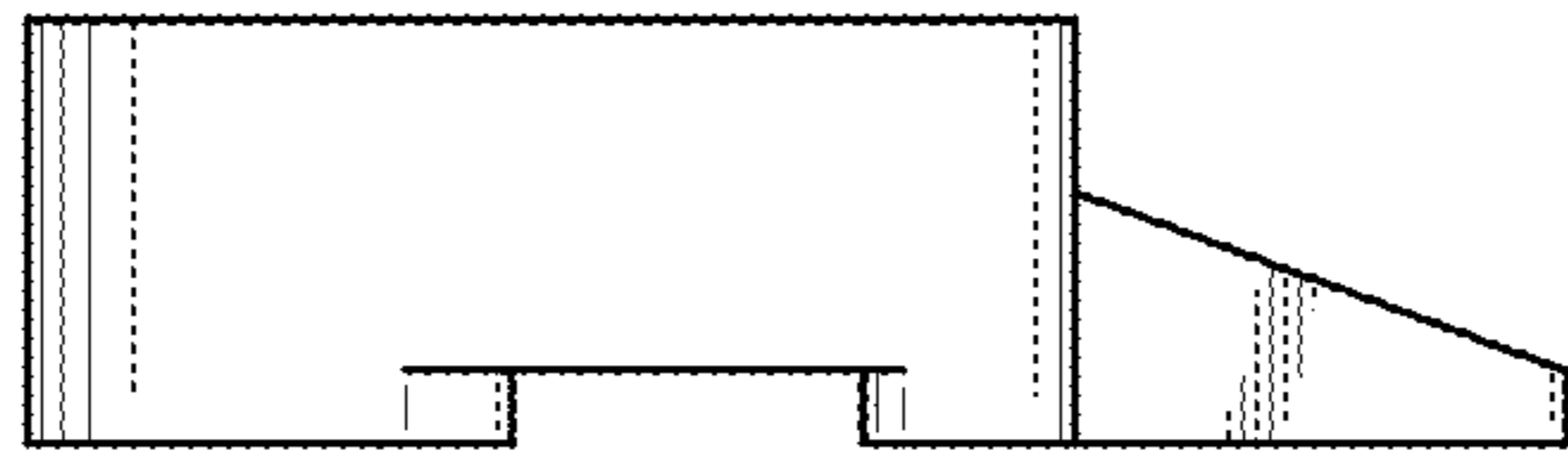


FIG. 5

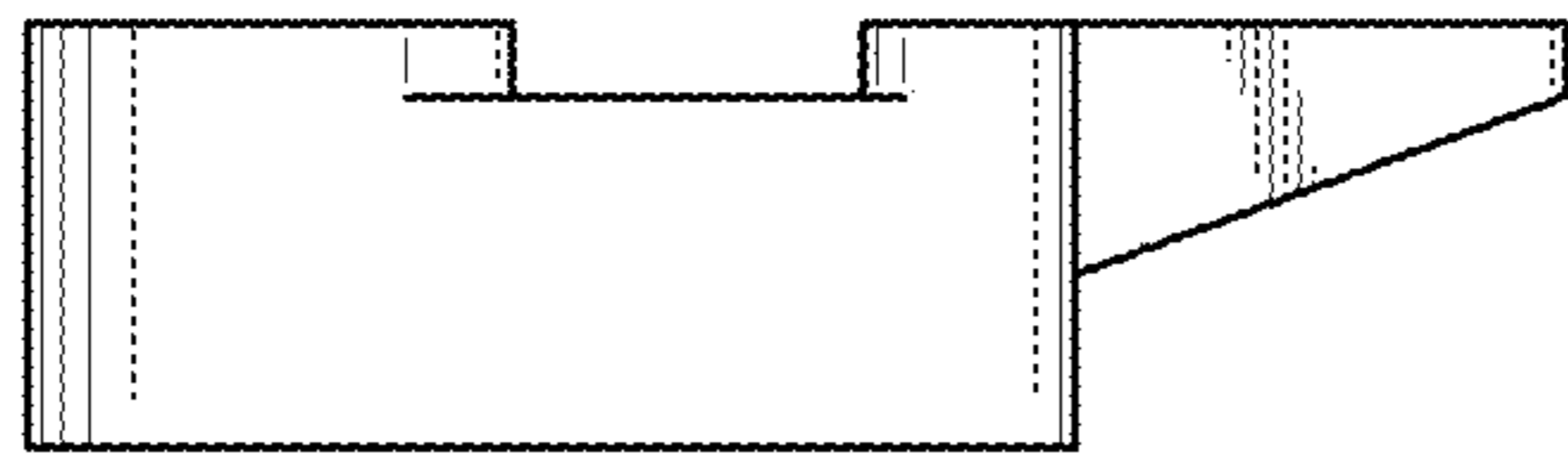


FIG. 6

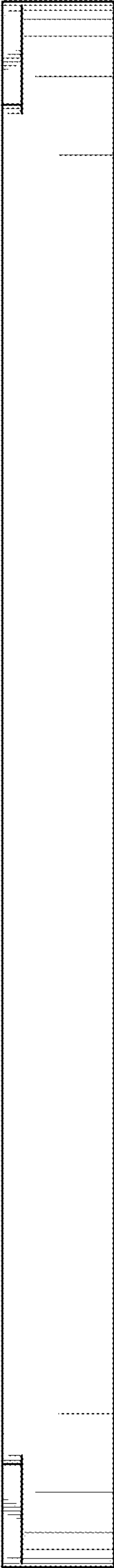


FIG. 7

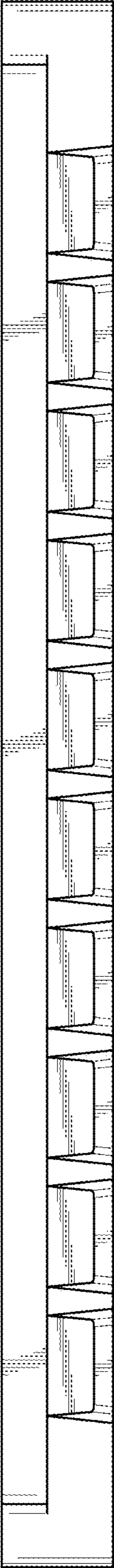


FIG. 8



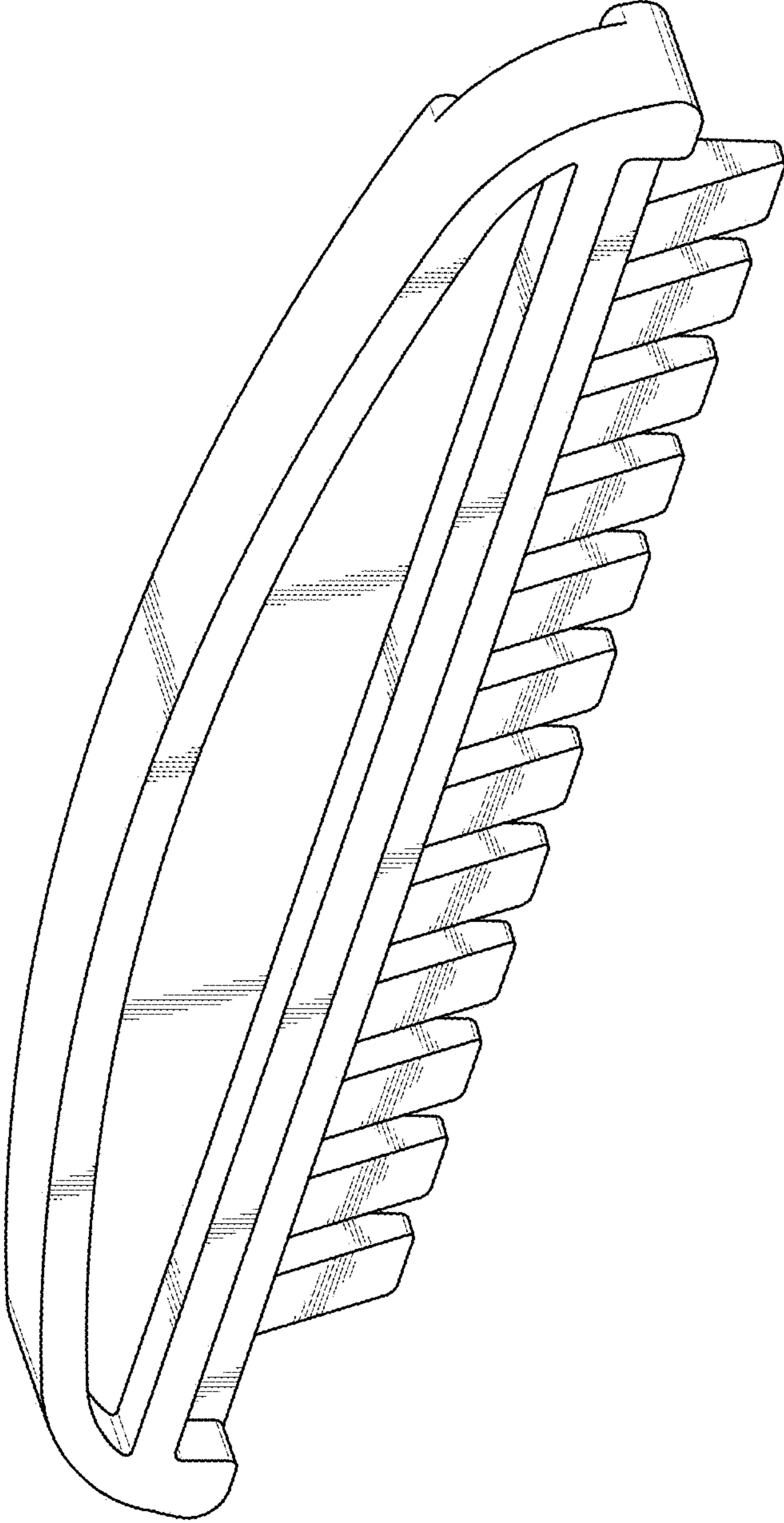


FIG. 9

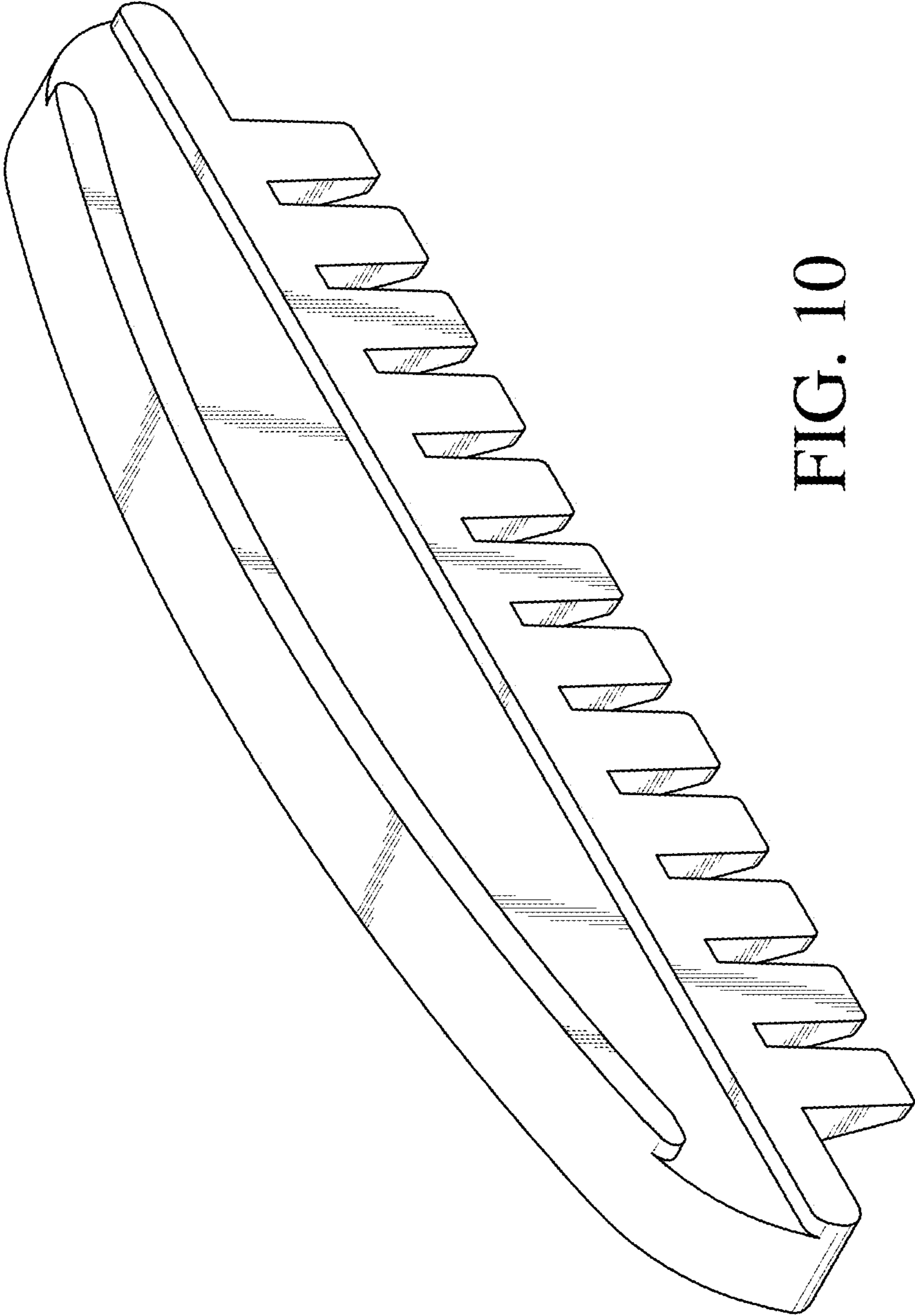


FIG. 10

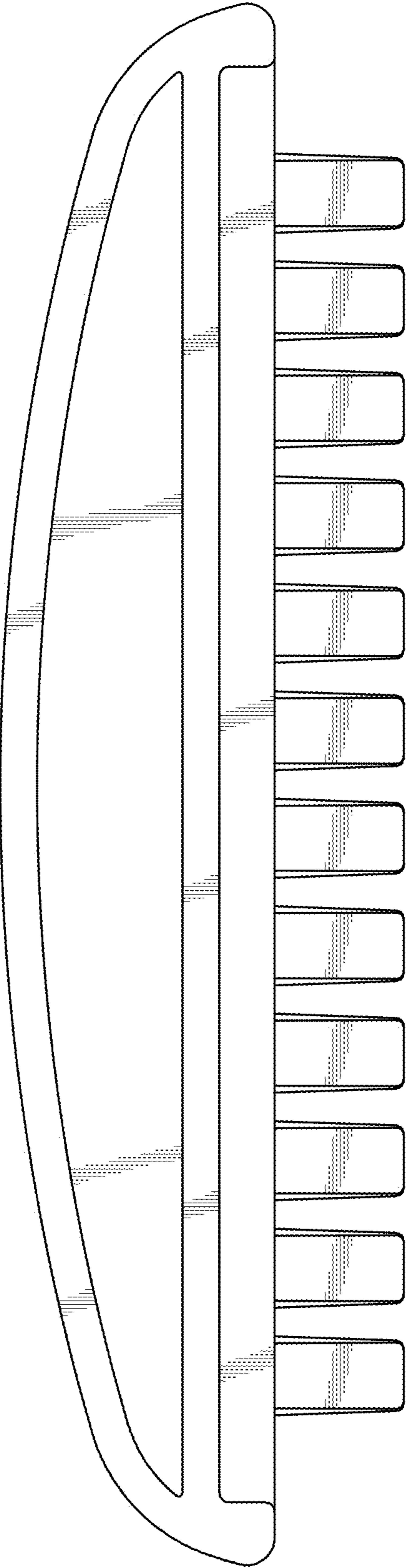


FIG. 11

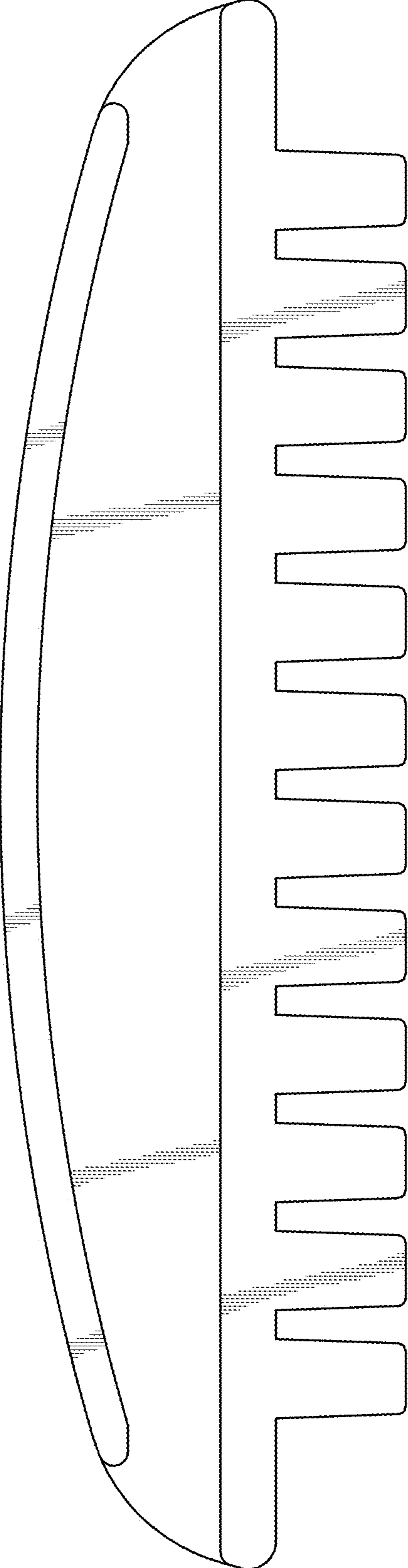


FIG. 12

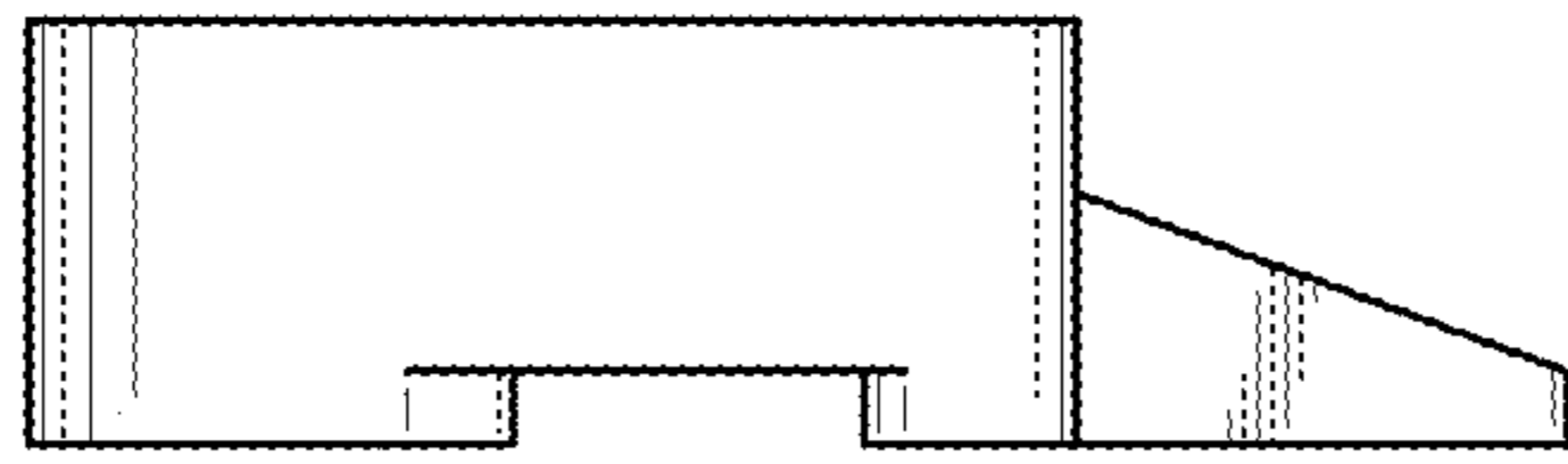


FIG. 13

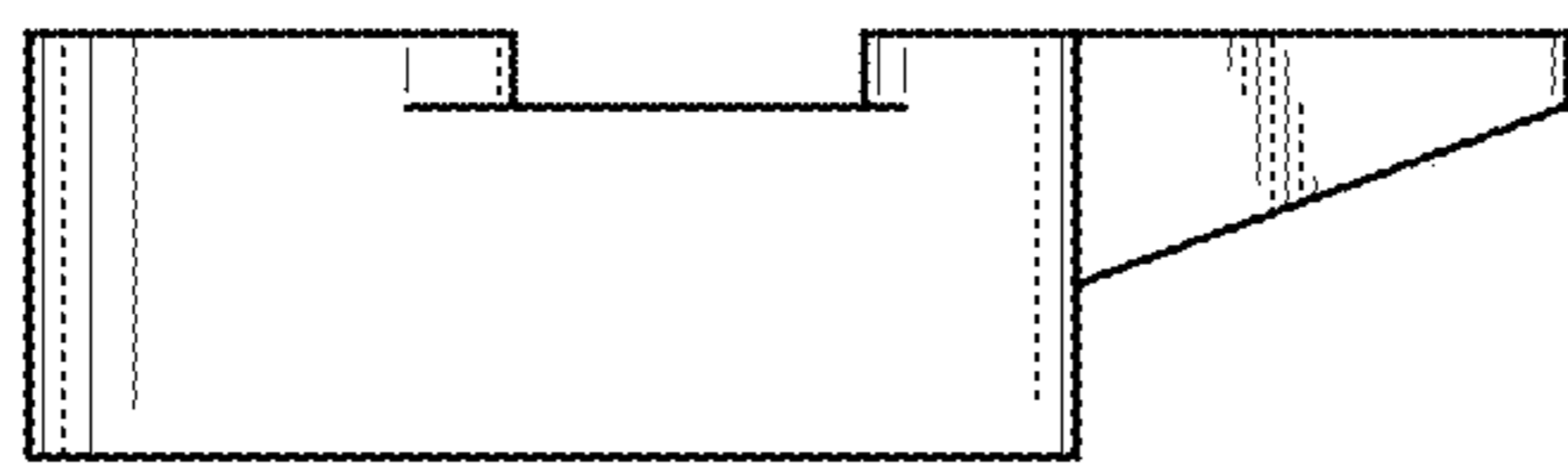


FIG. 14

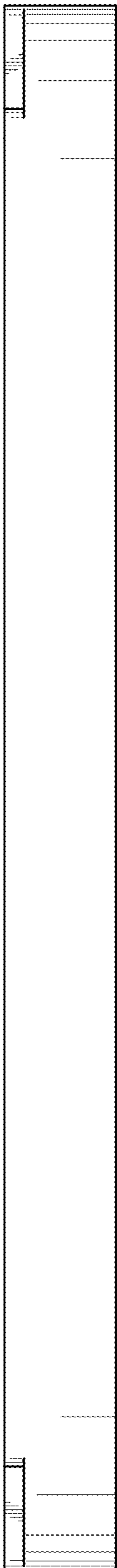


FIG. 15

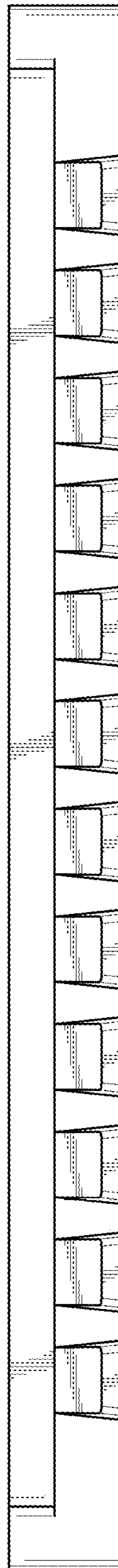


FIG. 16

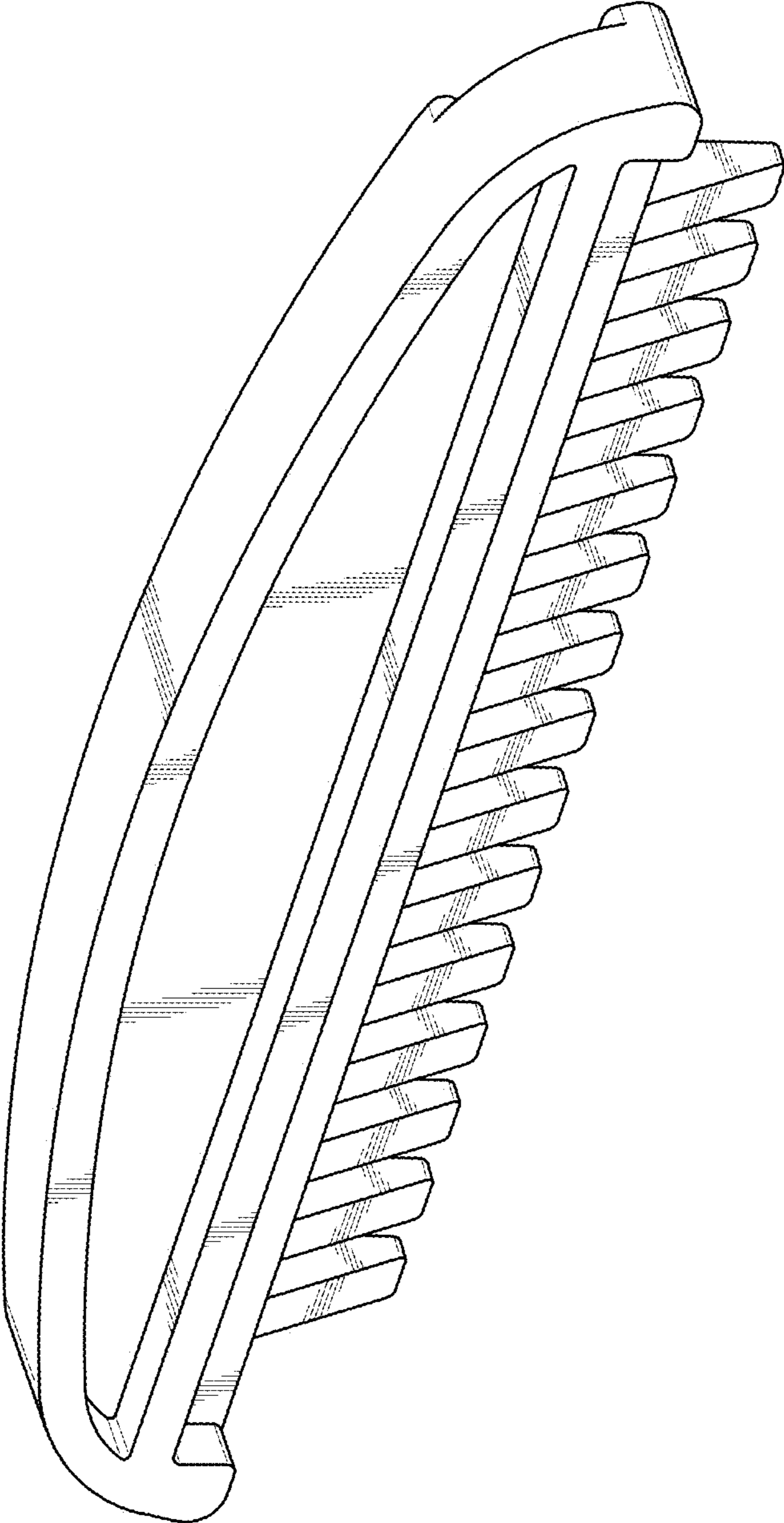


FIG. 17

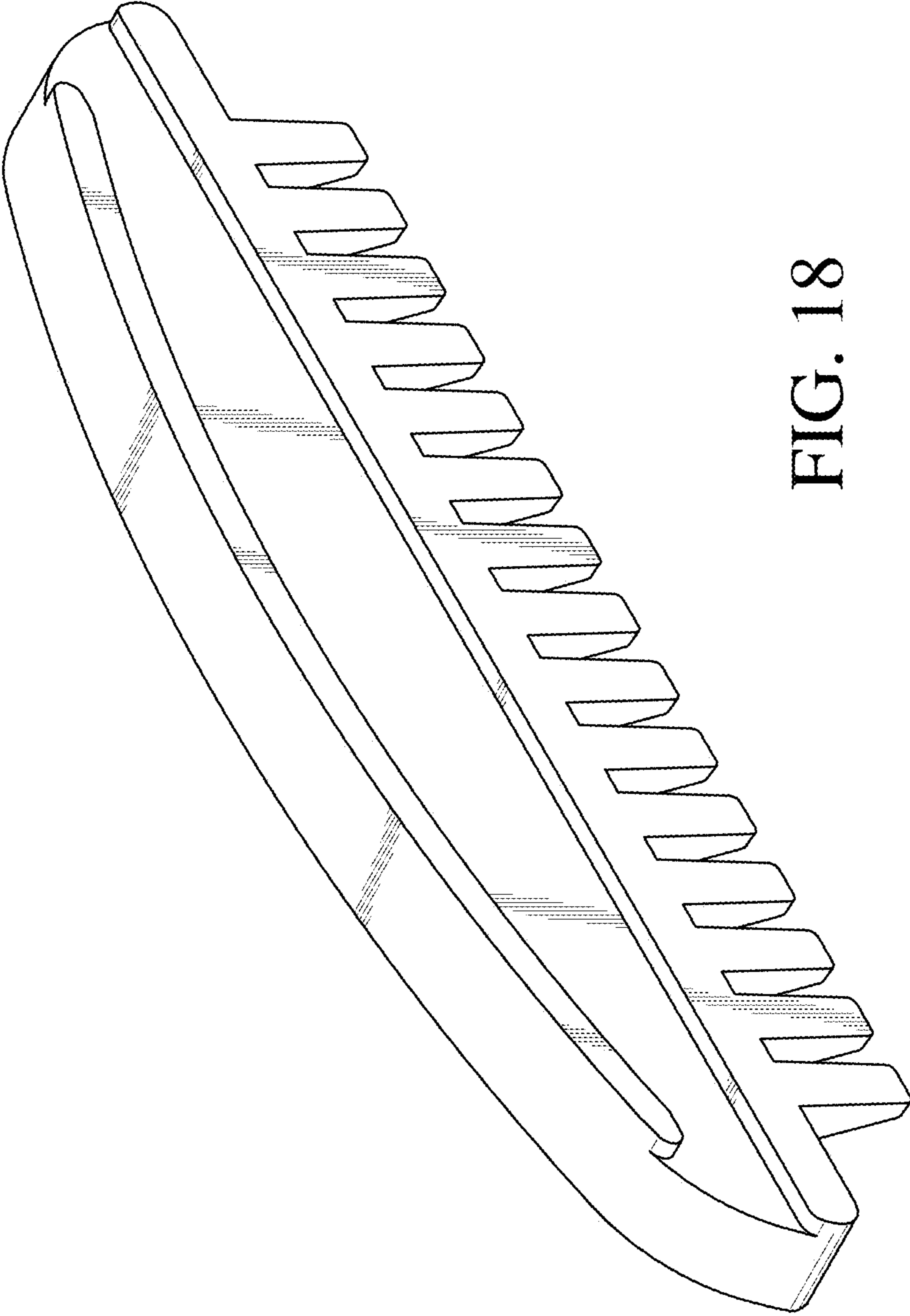


FIG. 18



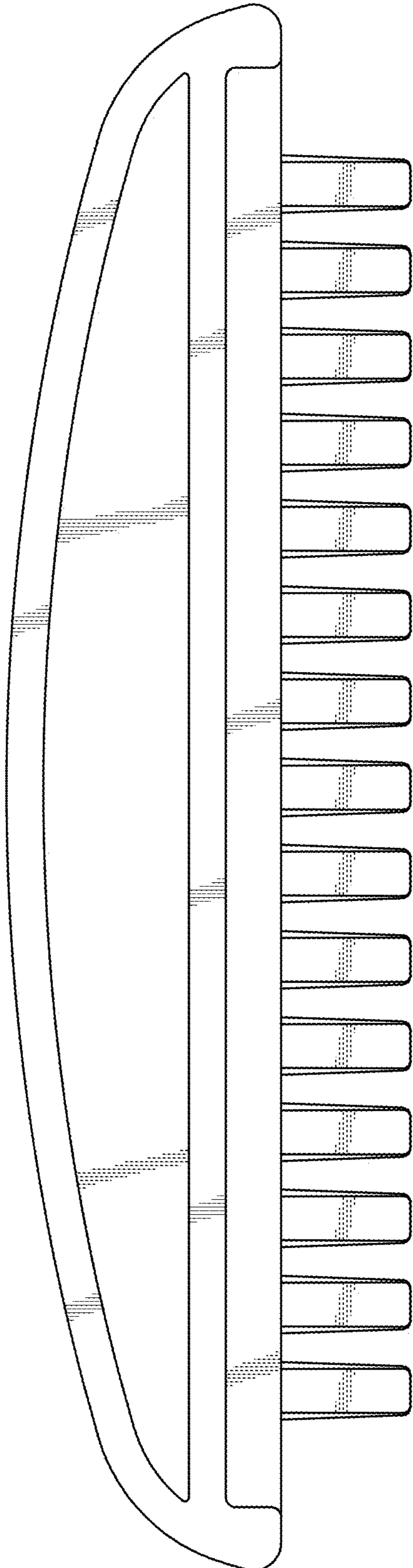


FIG. 19

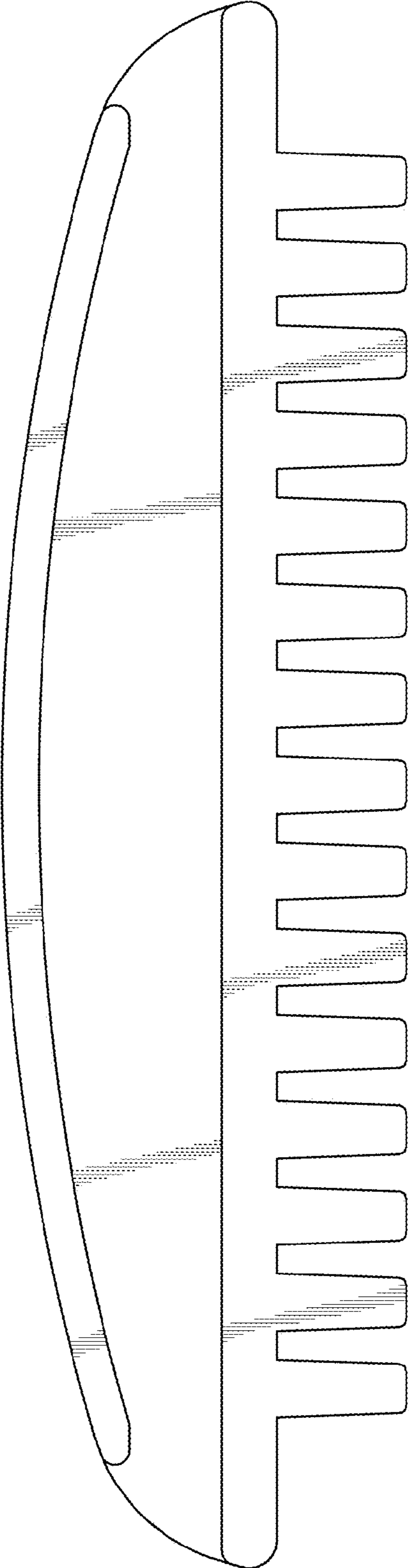


FIG. 20

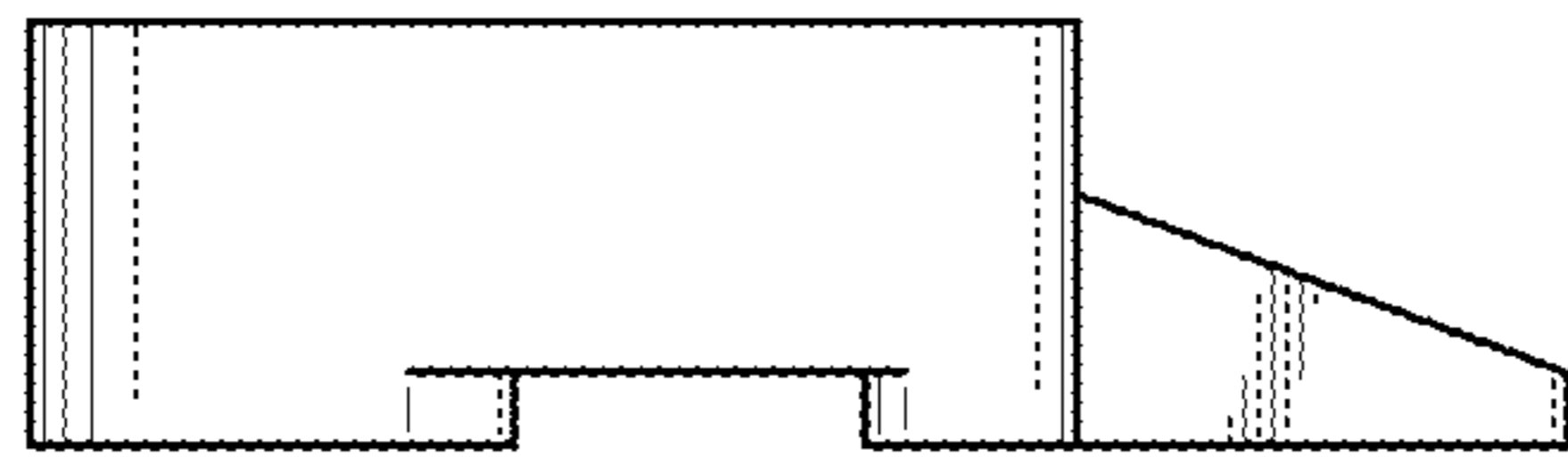


FIG. 22

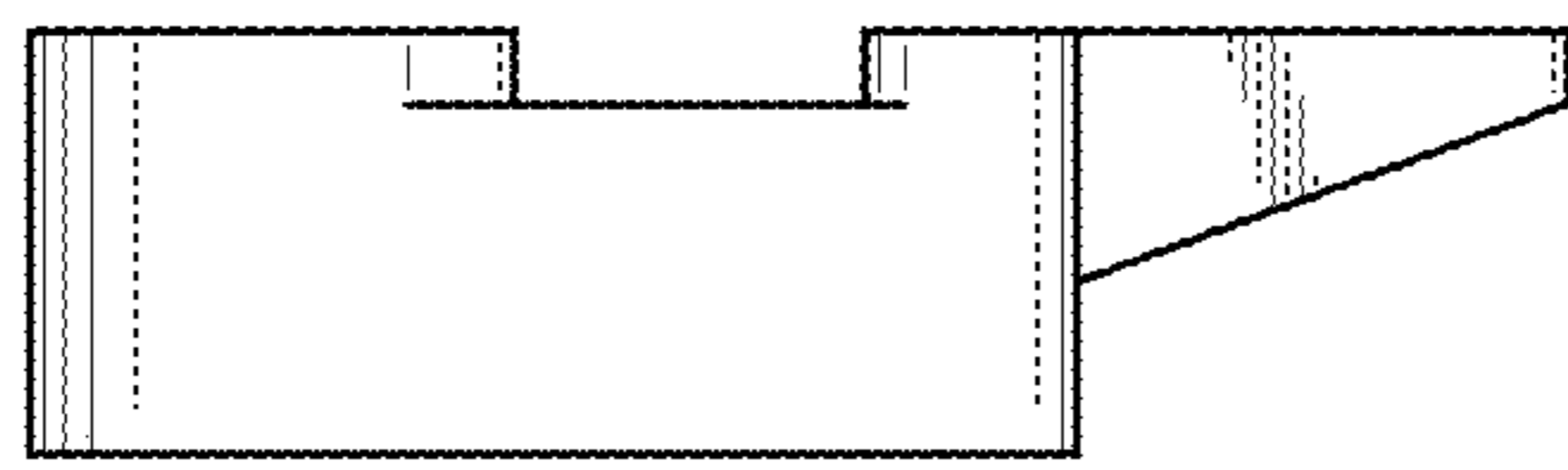


FIG. 21

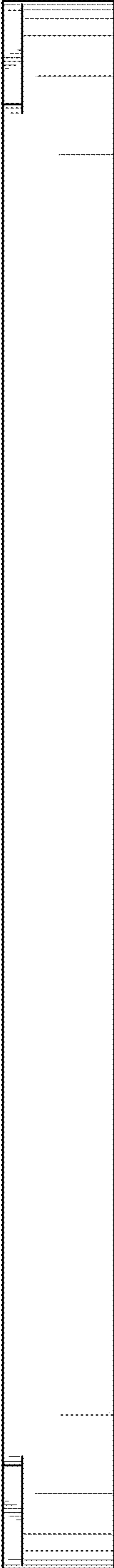


FIG. 23

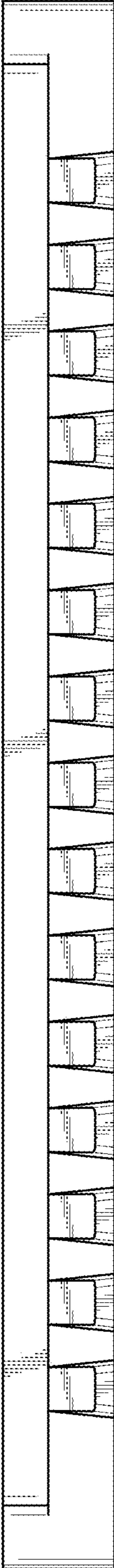


FIG. 24

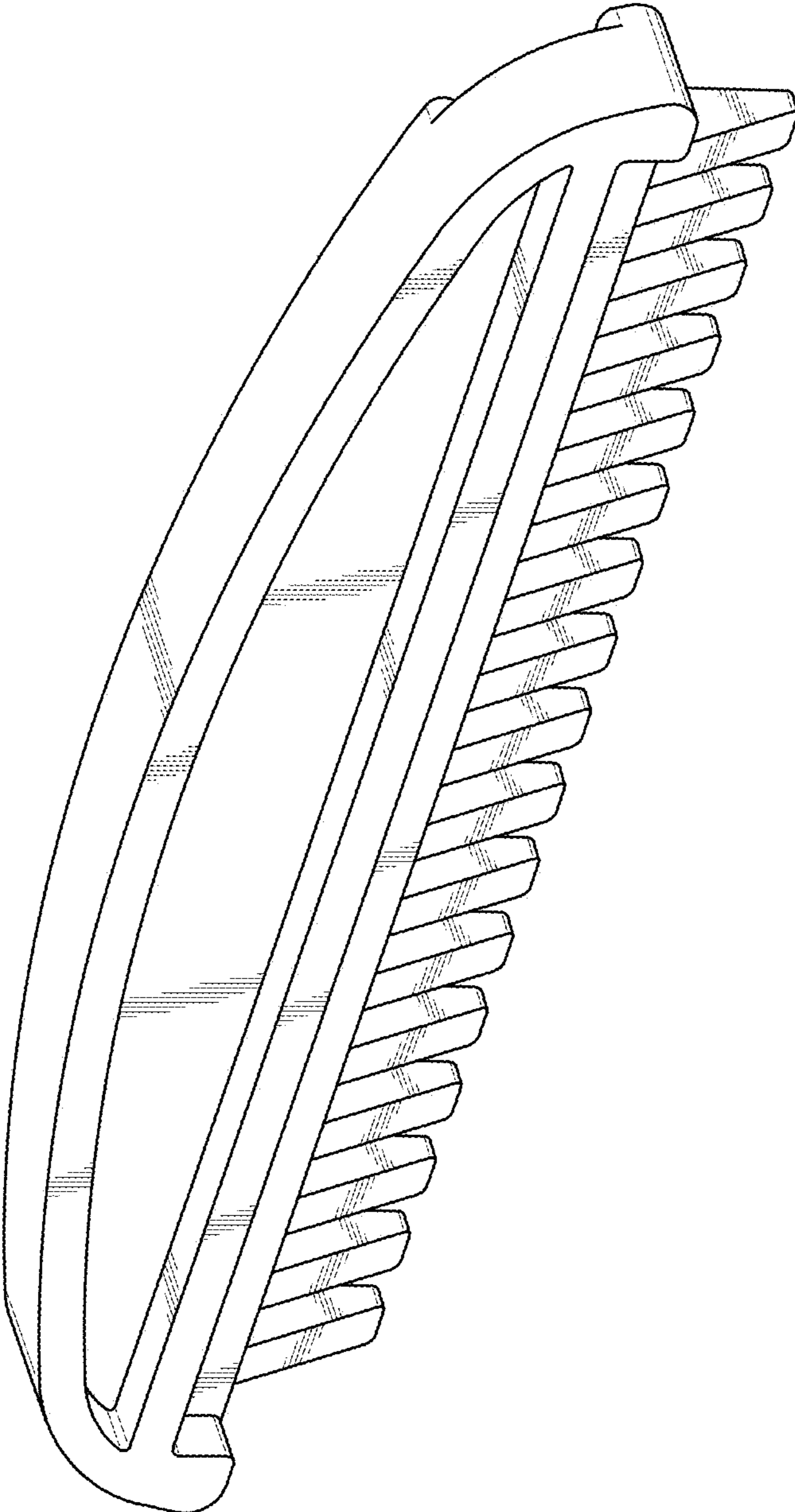


FIG. 25

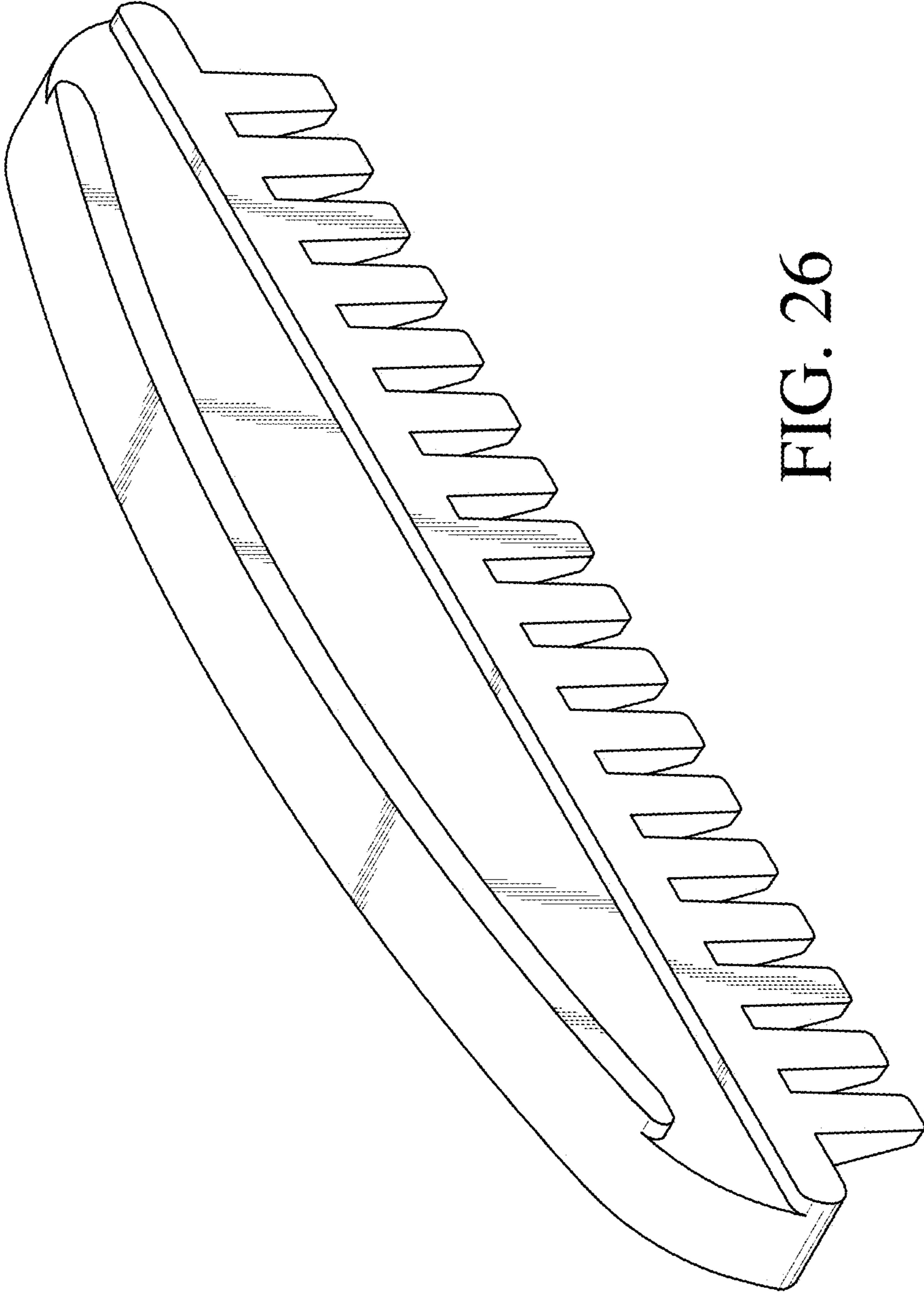


FIG. 26

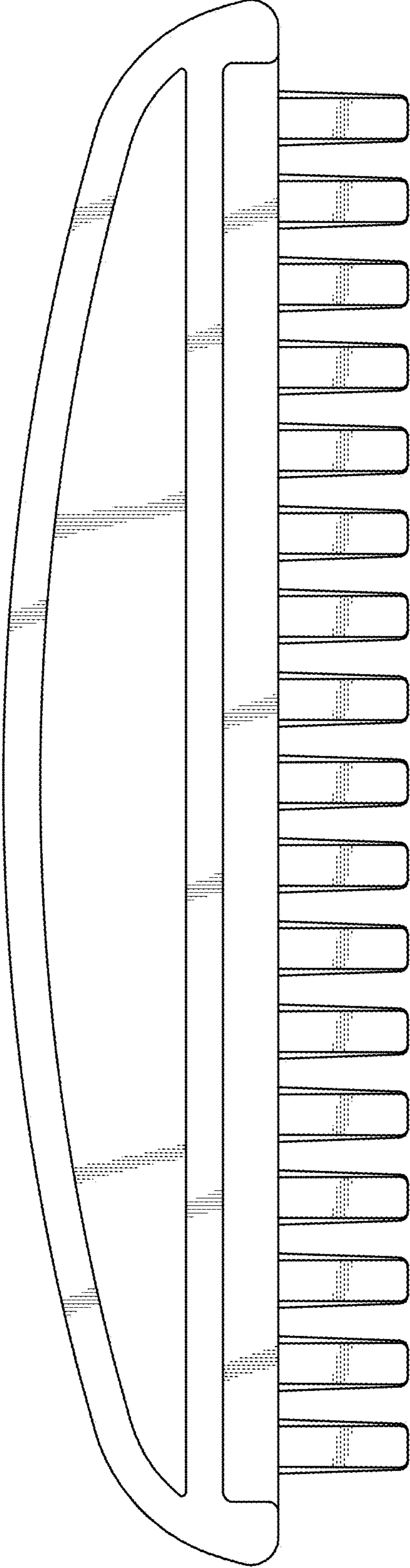


FIG. 27

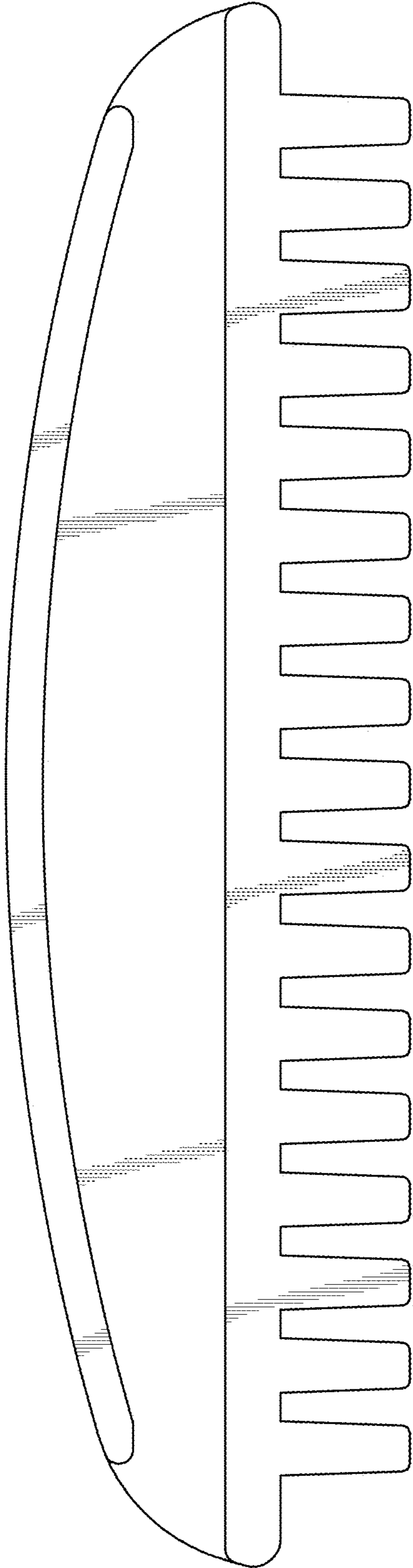


FIG. 28



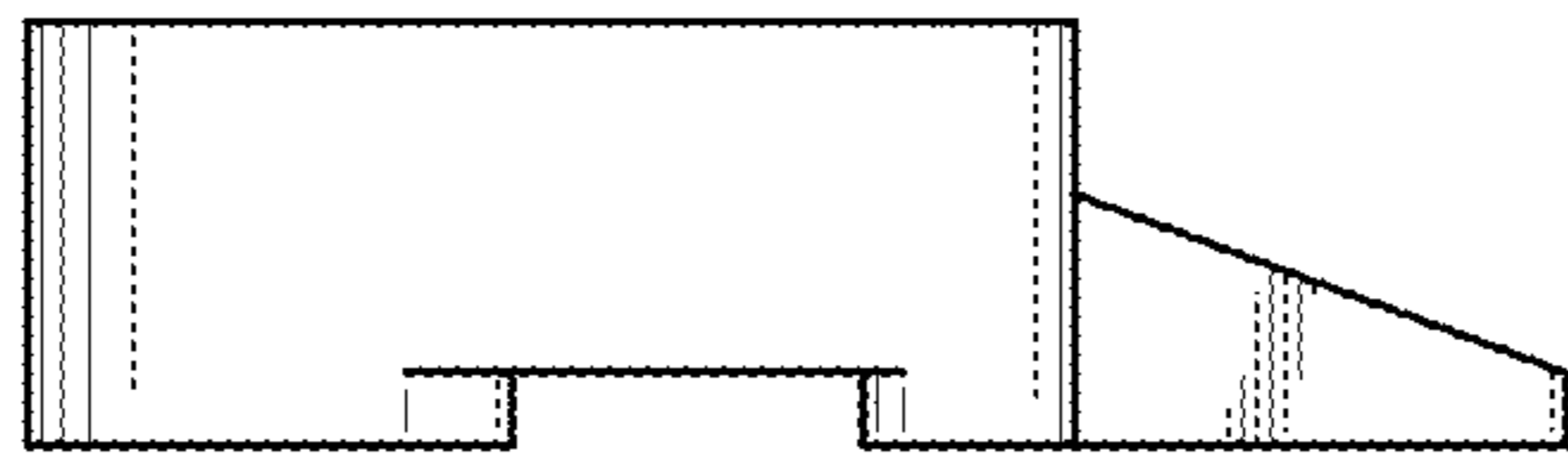


FIG. 29

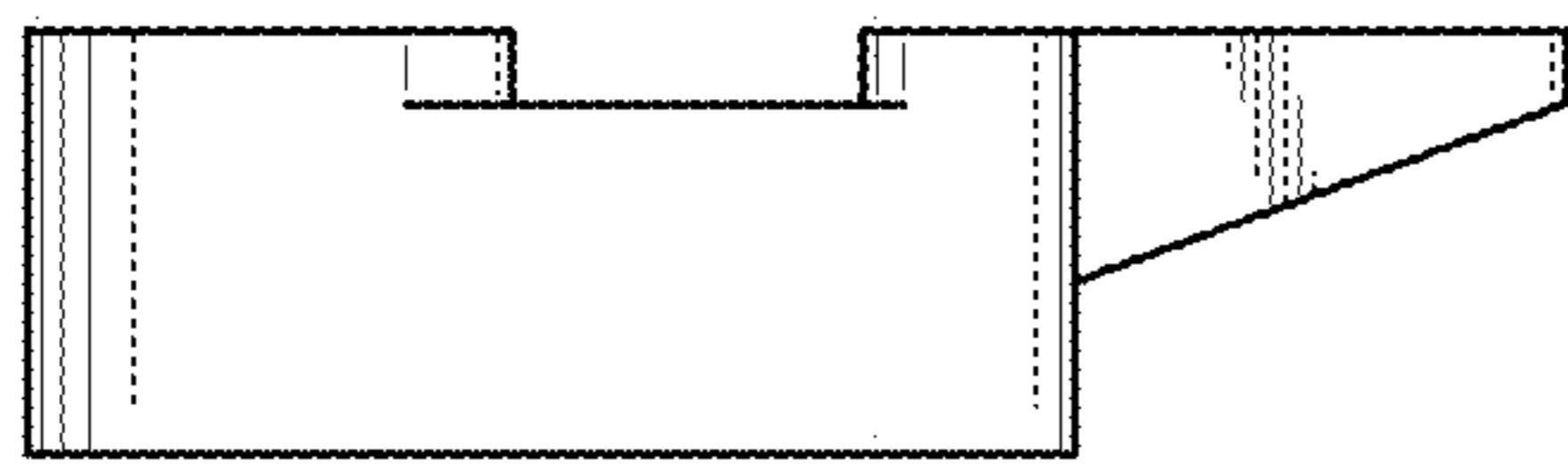


FIG. 30

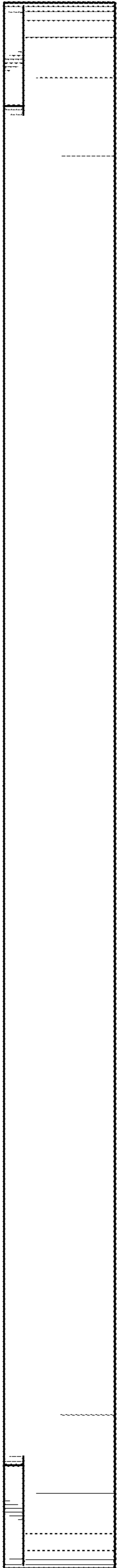


FIG. 31

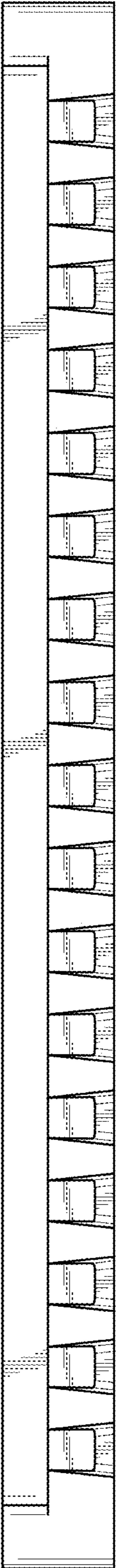


FIG. 32