



US00D719274S

(12) **United States Design Patent**
Chen

(10) **Patent No.:** **US D719,274 S**

(45) **Date of Patent:** **** Dec. 9, 2014**

(54) **MESSAGE HEAD UNIT**

(71) Applicant: **St Life Co., Ltd.**, Taichung (TW)

(72) Inventor: **Jue-Yao Chen**, Taichung (TW)

(73) Assignee: **St. Life Co., Ltd.**, Taichung (TW)

(**) Term: **14 Years**

(21) Appl. No.: **29/496,564**

(22) Filed: **Jul. 15, 2014**

(51) **LOC (10) Cl.** **28-03**

(52) **U.S. Cl.**
USPC **D24/215**

(58) **Field of Classification Search**

CPC A61H 19/30; A61H 19/32; A61H 19/34;
A61H 19/40; A61H 19/44; A61H 19/50;
A61H 19/00; A61H 2201/0153; A61H
2201/0207; A61H 2201/0263; A61H
2201/0111; A61H 2201/1253; A61H
2205/082; A61H 2205/085; A61H 15/0085
USPC D24/200, 211, 212, 213, 214, 215;
601/114, 120, 121, 124, 125, 130, 131,
601/134, 135, 136, 137; D14/218

See application file for complete search history.

(56) **References Cited**

U.S. PATENT DOCUMENTS

D417,008 S *	11/1999	Chien	D24/211
6,494,851 B1 *	12/2002	Becher	601/133
6,607,499 B1 *	8/2003	Becher	601/133
D491,671 S *	6/2004	Kim	D24/211
D649,657 S *	11/2011	Petersen et al.	D24/215
D694,898 S *	12/2013	Chen	D24/215
D695,364 S *	12/2013	Khalil	D21/662

* cited by examiner

Primary Examiner — Sandra Snapp

(74) *Attorney, Agent, or Firm* — Alan D. Kamrath; Kamrath IP Lawfirm, P.A.

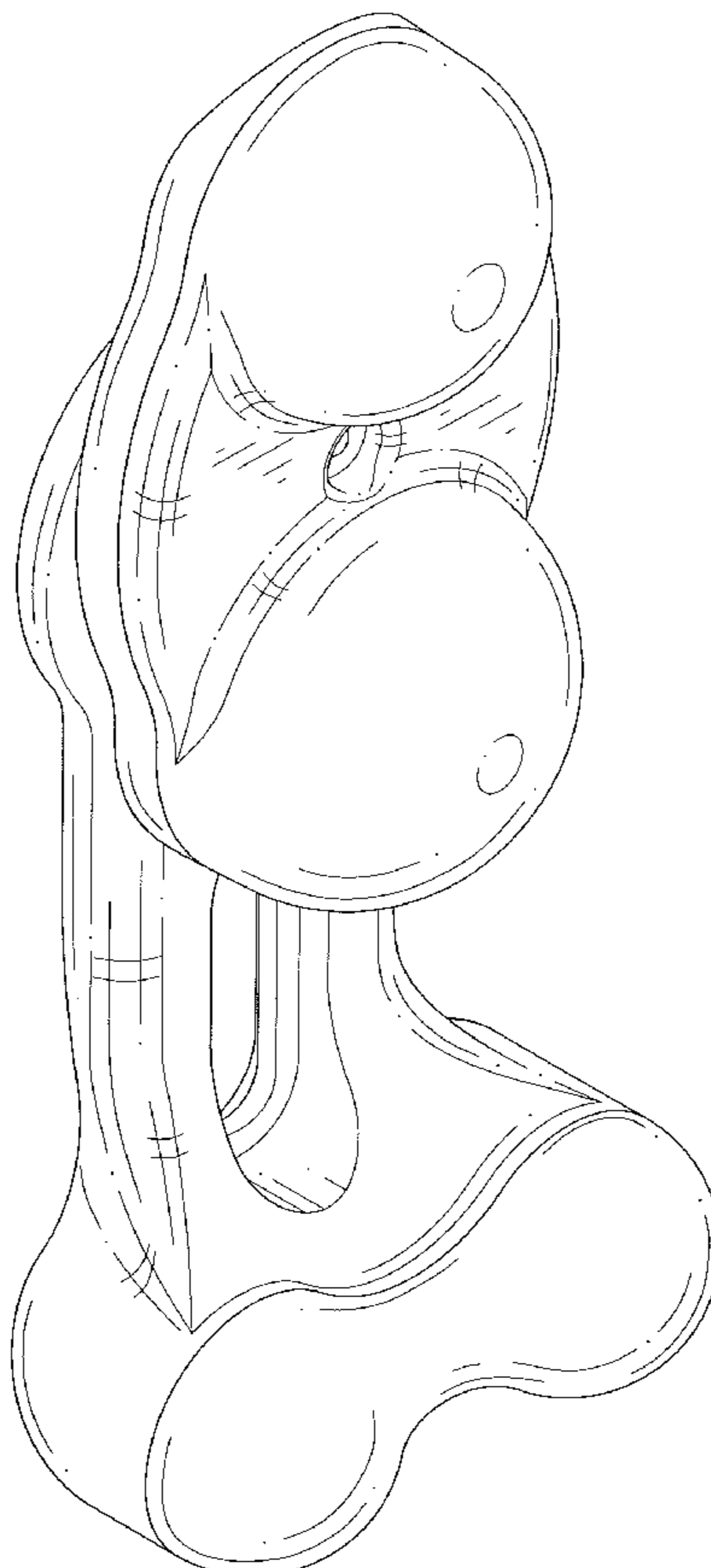
(57) **CLAIM**

The ornamental design for a massage head unit, as shown and described.

DESCRIPTION

FIG. 1 is a perspective view of a massage head unit showing my design;
FIG. 2 is another perspective view thereof;
FIG. 3 is a front elevational view thereof;
FIG. 4 is a rear elevational view thereof;
FIG. 5 is a left side elevational view thereof;
FIG. 6 is a right side elevational view thereof;
FIG. 7 is a top plan view thereof; and,
FIG. 8 is bottom plan view thereof.

1 Claim, 8 Drawing Sheets



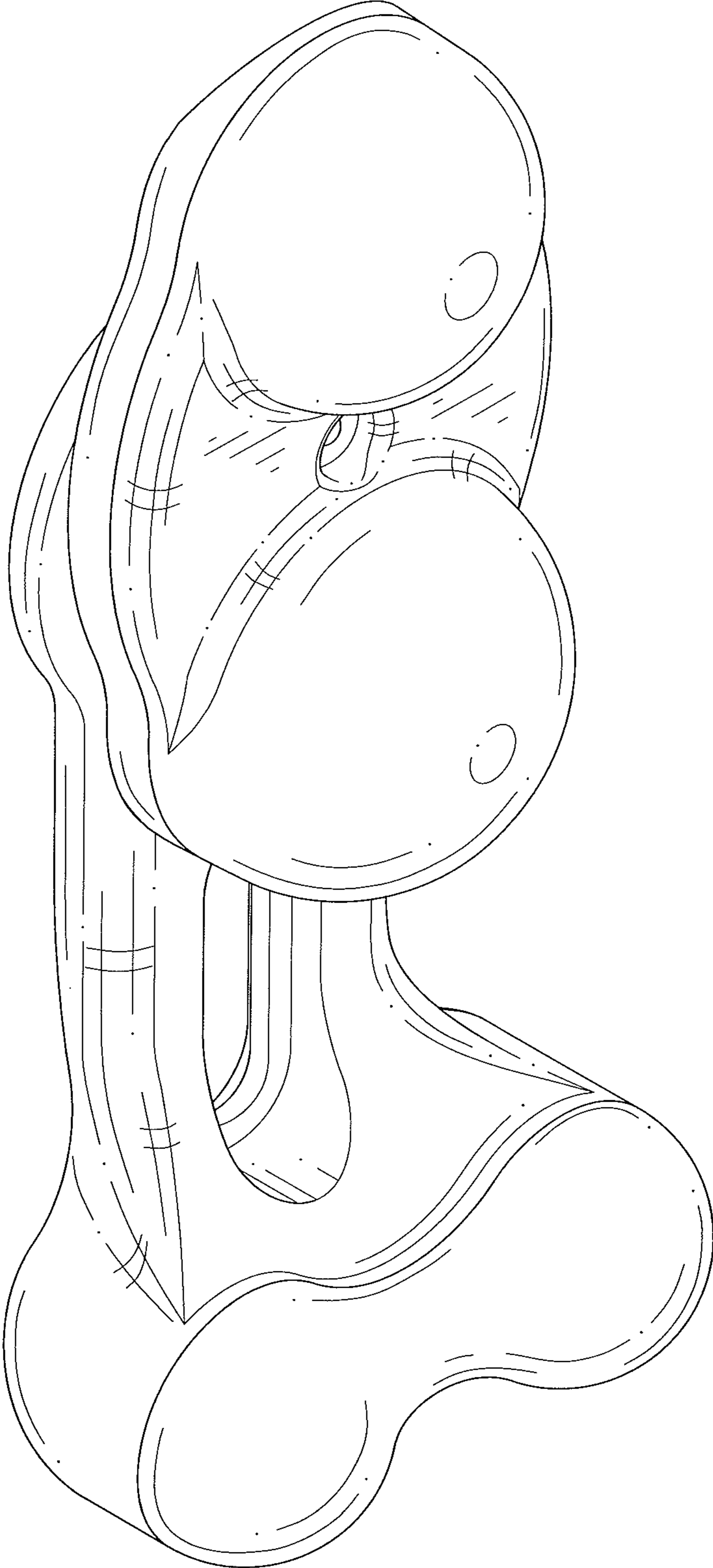


FIG. 1

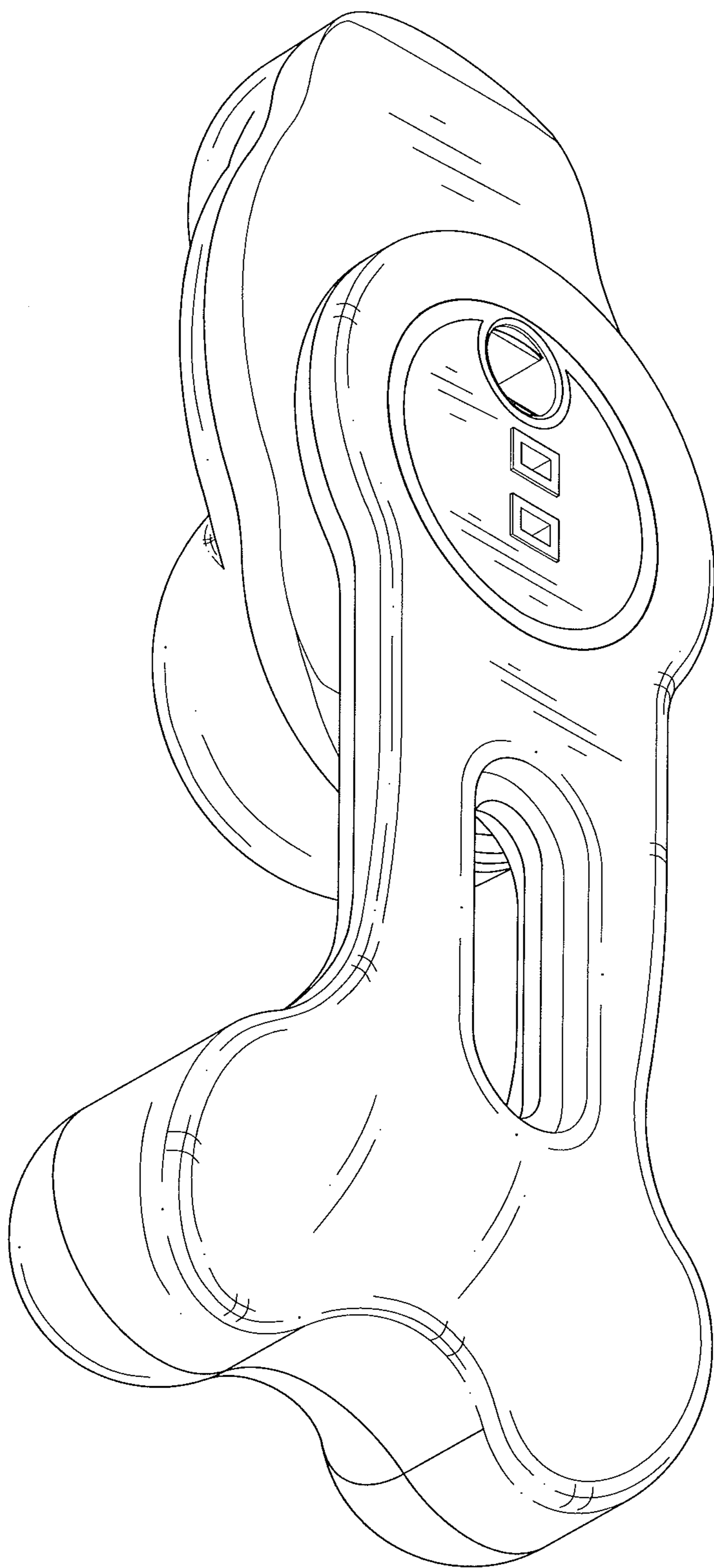


FIG. 2

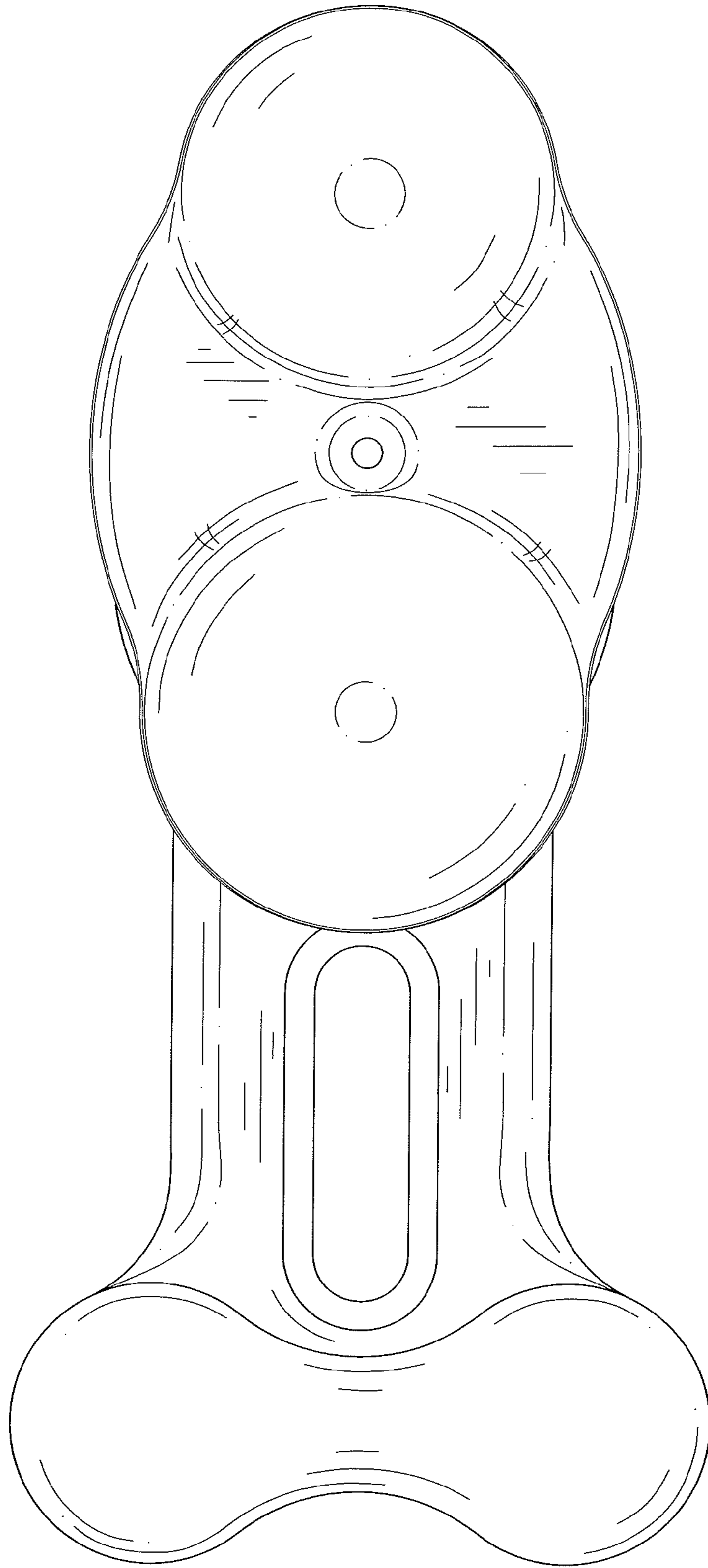


FIG. 3

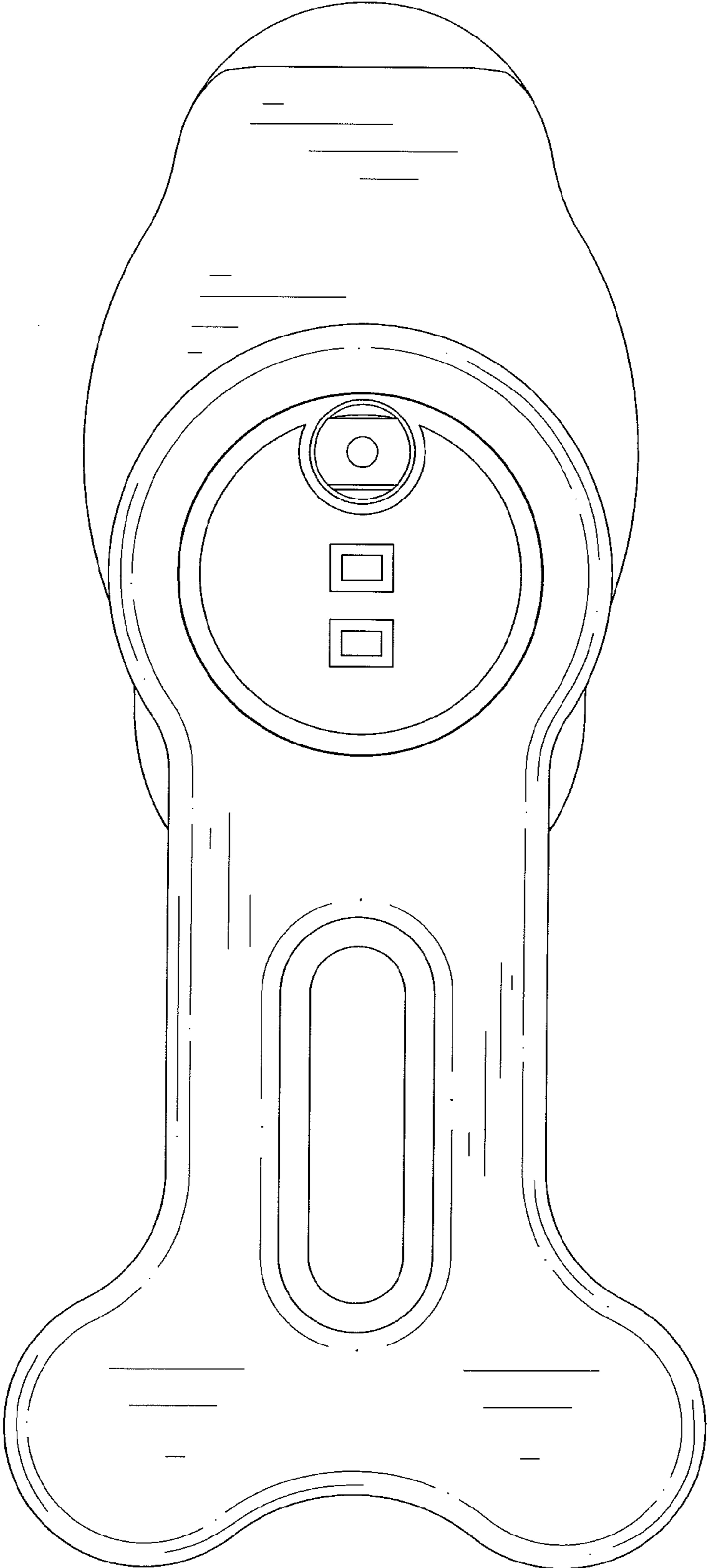


FIG. 4

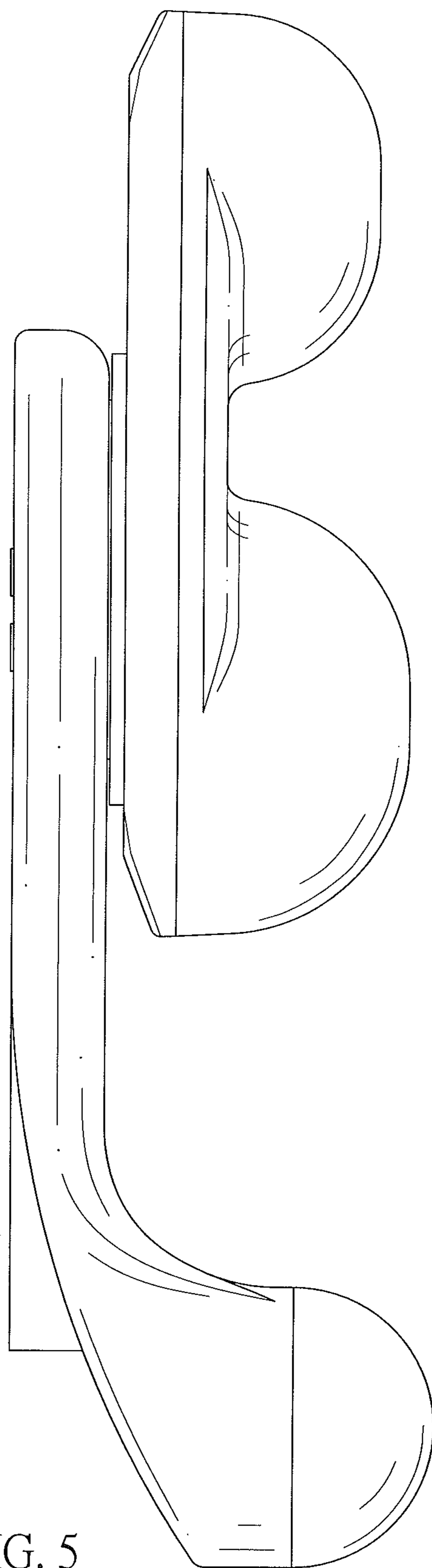


FIG. 5

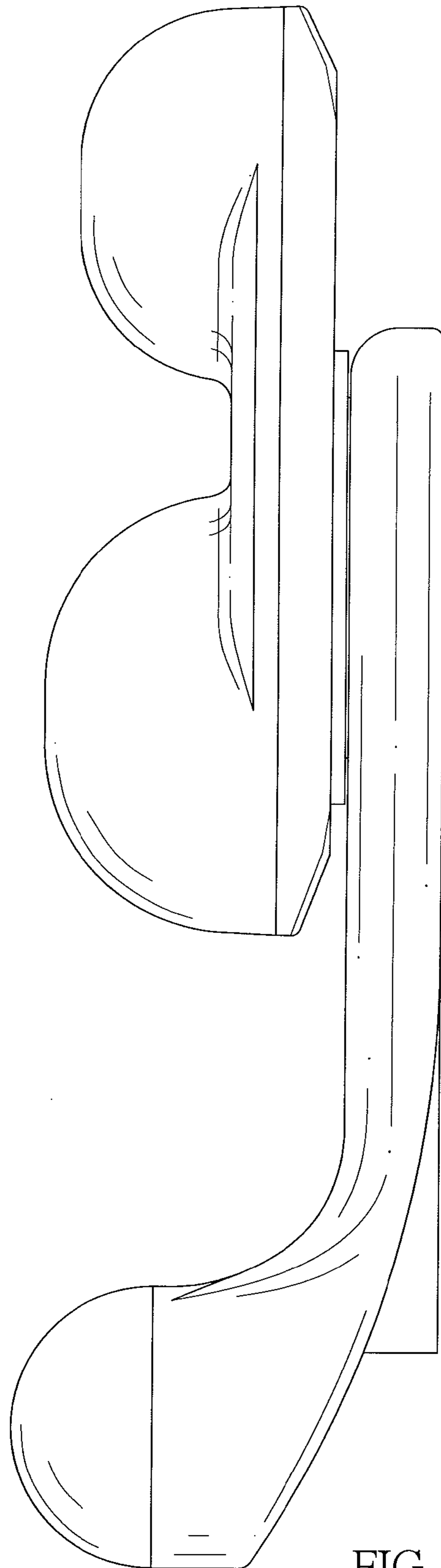


FIG. 6

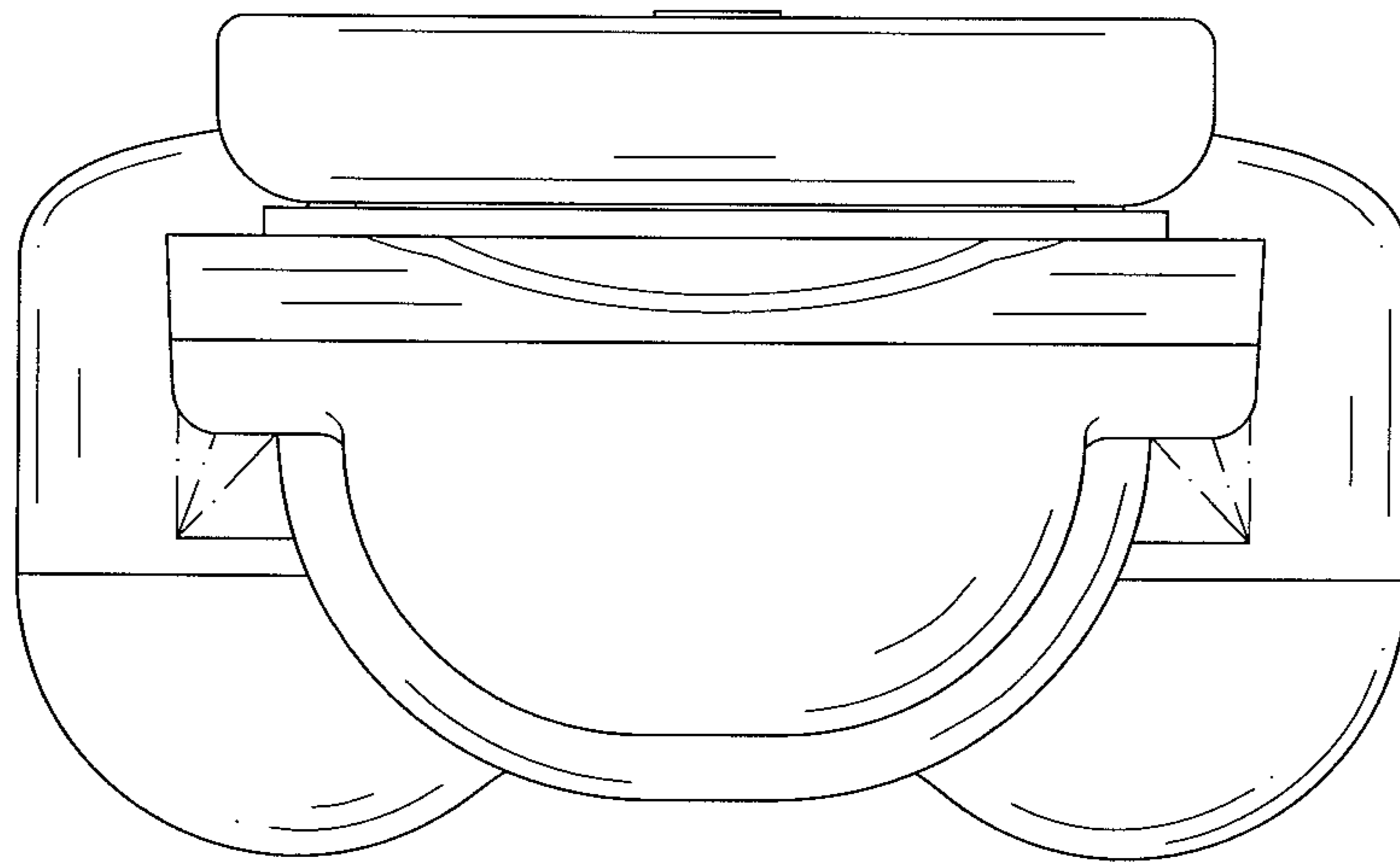


FIG. 7

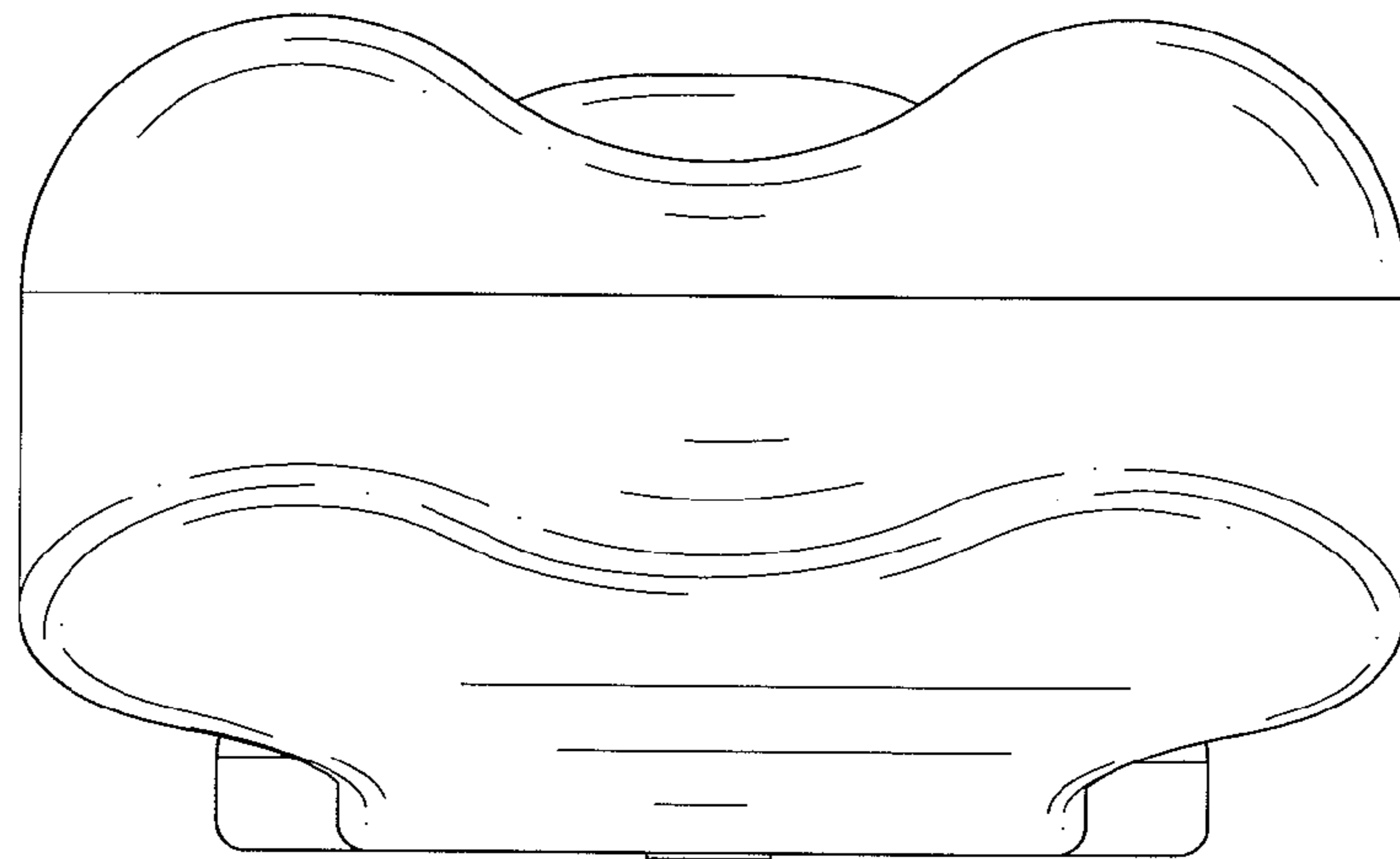


FIG. 8