



US00D719271S

(12) **United States Design Patent**
McKay

(10) **Patent No.:** **US D719,271 S**

(45) **Date of Patent:** **** Dec. 9, 2014**

(54) **FOOT REST**

(75) Inventor: **Scott McKay**, Ellington, CT (US)

(73) Assignee: **Ankleaid, LLC**, Ellington, CT (US), `

(**) Term: **14 Years**

(21) Appl. No.: **29/431,913**

(22) Filed: **Sep. 12, 2012**

(51) **LOC (10) Cl.** **24-04**

(52) **U.S. Cl.**
USPC **D24/204**

(58) **Field of Classification Search**
USPC D24/201, 204, 205; D23/277, 278, 276,
D23/280.1–280.3; 601/154–158;
4/541.1–541.6, 547, 578.1, 579
See application file for complete search history.

(56) **References Cited**

U.S. PATENT DOCUMENTS

| | | | | | | |
|-----------|---|---|---------|-----------------|-------|---------|
| 4,197,838 | A | * | 4/1980 | Shill | | 601/157 |
| D264,629 | S | * | 5/1982 | Longmire | | D24/204 |
| D298,055 | S | * | 10/1988 | O'Brien | | D24/204 |
| D304,235 | S | * | 10/1989 | Chambers | | D24/204 |
| D346,466 | S | * | 4/1994 | Puntervold, Sr. | | D30/158 |
| D469,860 | S | * | 2/2003 | Riemer et al. | | D23/278 |
| D583,957 | S | * | 12/2008 | Bromilow | | D24/204 |
| D606,205 | S | * | 12/2009 | Truman et al. | | D24/201 |
| D615,170 | S | * | 5/2010 | Della Monaca | | D23/277 |
| D616,562 | S | * | 5/2010 | Ton | | D24/204 |

| | | | | | | |
|----------|---|---|---------|-------|-------|---------|
| D621,948 | S | * | 8/2010 | Ton | | D24/205 |
| D639,916 | S | * | 6/2011 | Dosne | | D23/277 |
| D650,084 | S | * | 12/2011 | Tran | | D24/204 |

* cited by examiner

Primary Examiner — David Muller

(74) *Attorney, Agent, or Firm* — Cantor Colburn LLP

(57) **CLAIM**

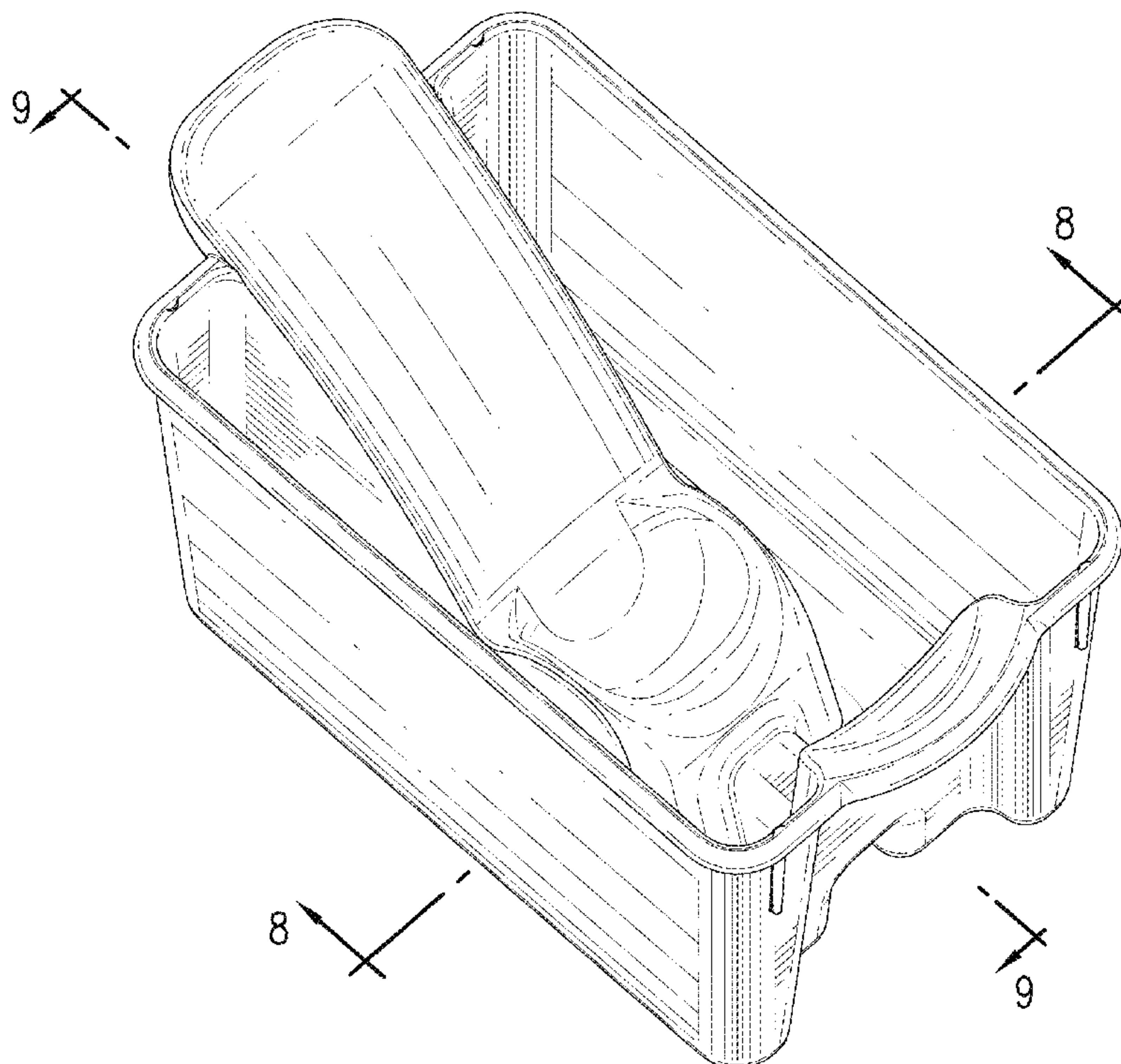
An ornamental design for a foot rest, as shown and described.

DESCRIPTION

FIG. 1 is a top front perspective view of a foot rest, showing my new design;
 FIG. 2 is a top rear perspective view thereof;
 FIG. 3 is a front elevation view thereof;
 FIG. 4 is a rear elevation view thereof;
 FIG. 5 is a side elevation view thereof;
 FIG. 6 is a top plan view thereof;
 FIG. 7 is a bottom plan view thereof;
 FIG. 8 is a sectional view taken along line 8-8 as shown in FIG. 1; and,
 FIG. 9 is a sectional view taken along line 9-9 as shown in FIG. 1.

The broken-lines shown in the drawings represent portions of the article that form no part of the claimed design. References to “side,” “top,” “bottom,” “front,” and “rear” in the Figure Description are not meant to require any specific orientation of the article as viewed.

1 Claim, 7 Drawing Sheets



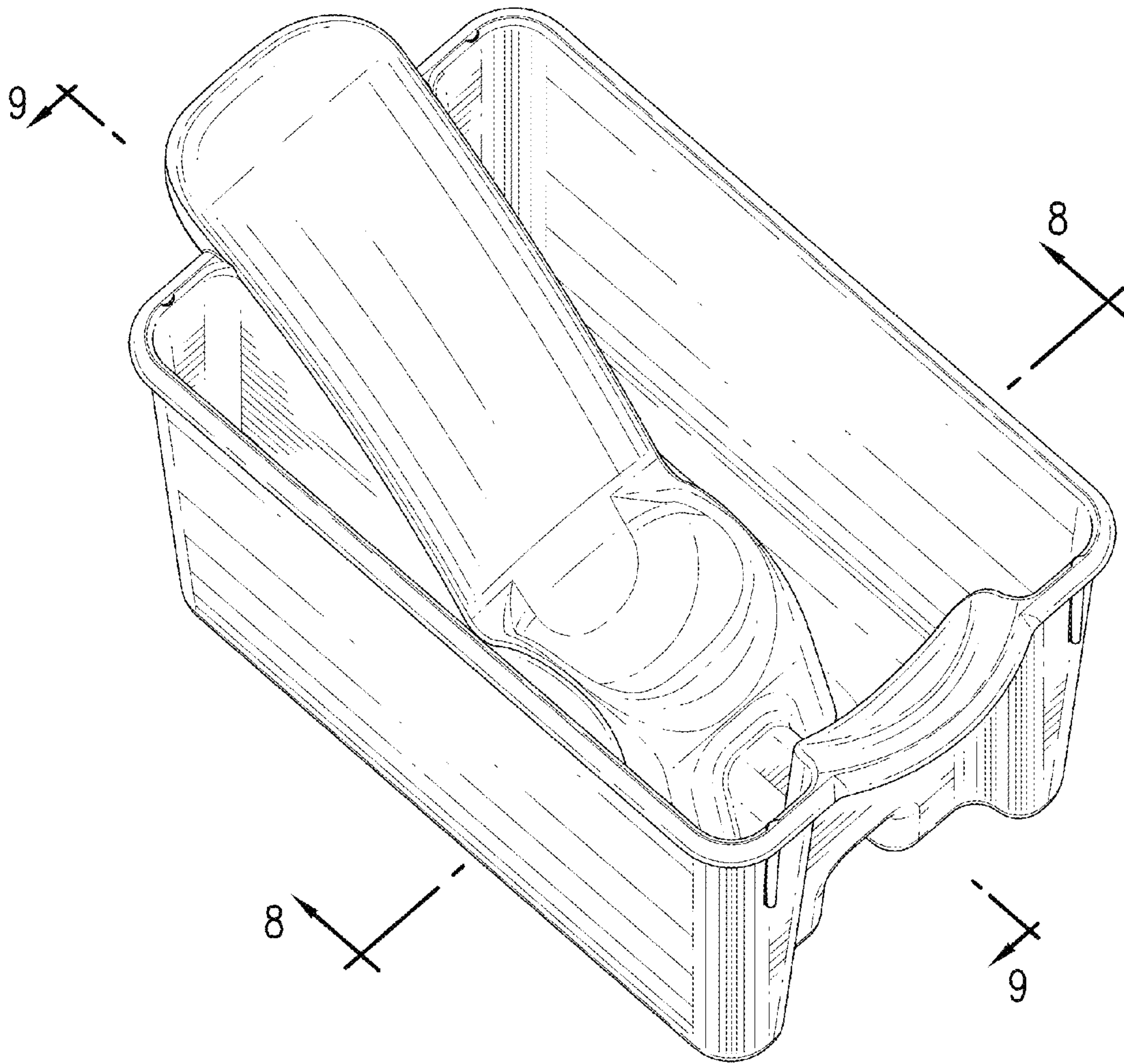


FIG. 1

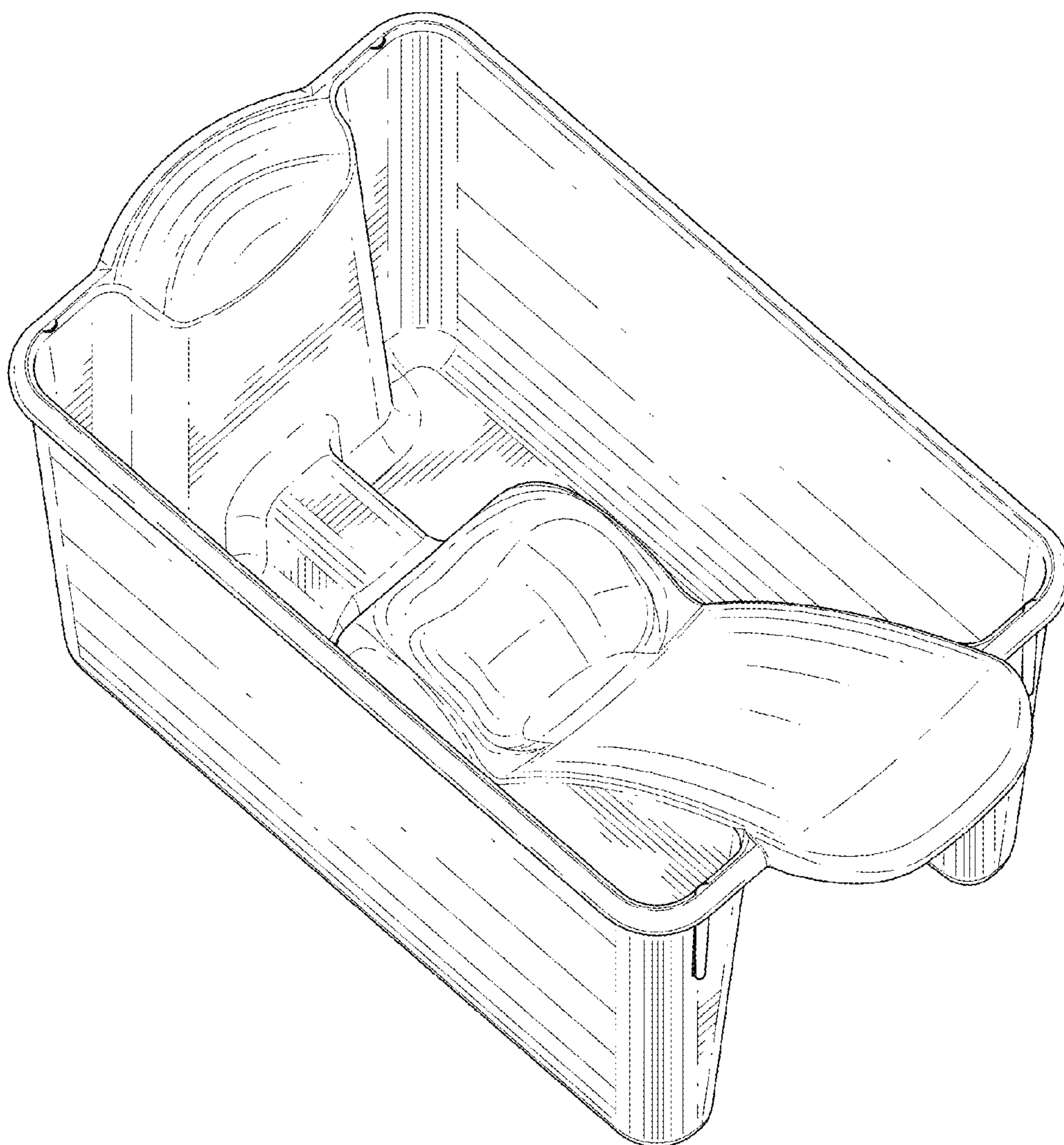


FIG. 2

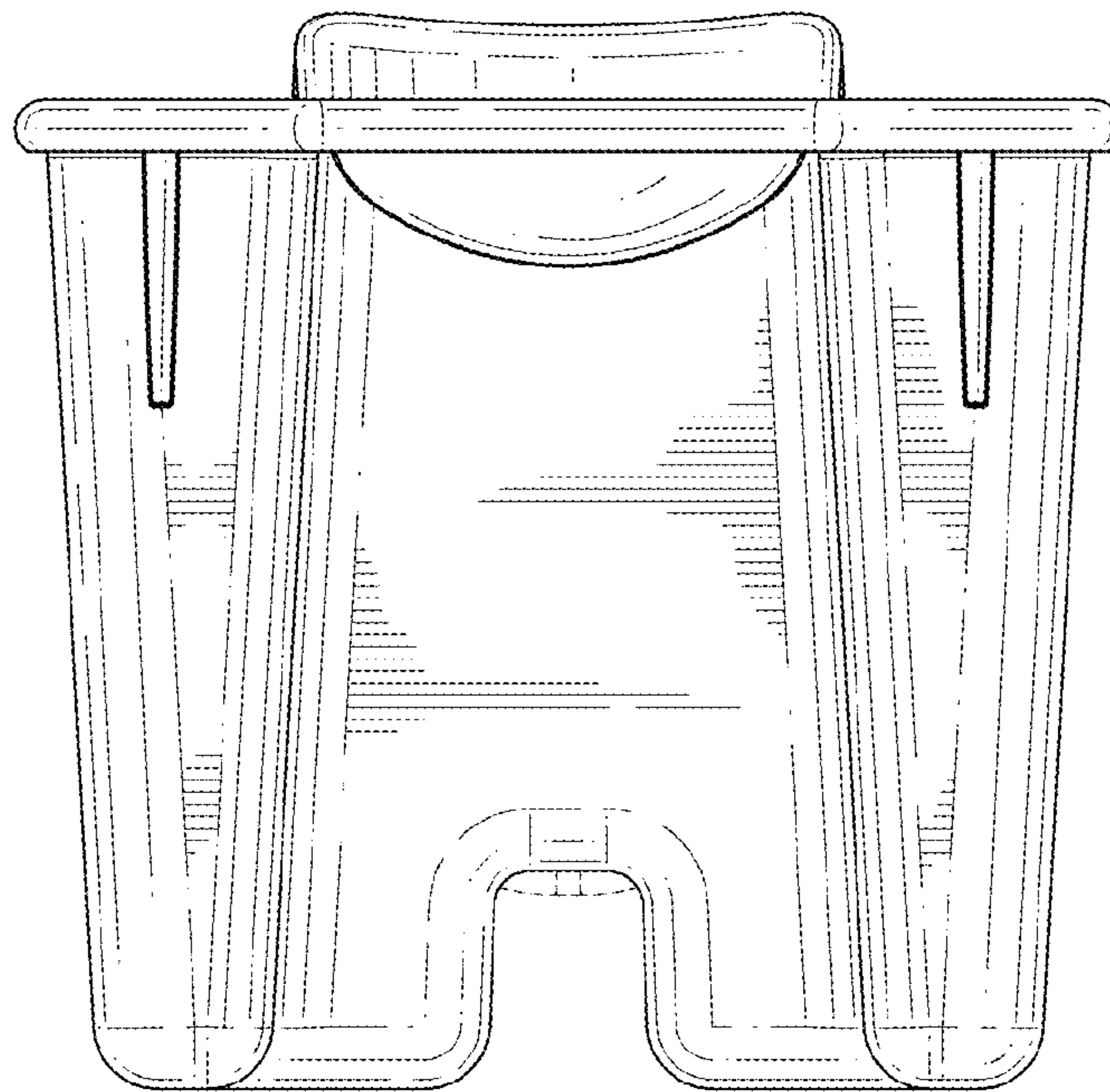


FIG. 3

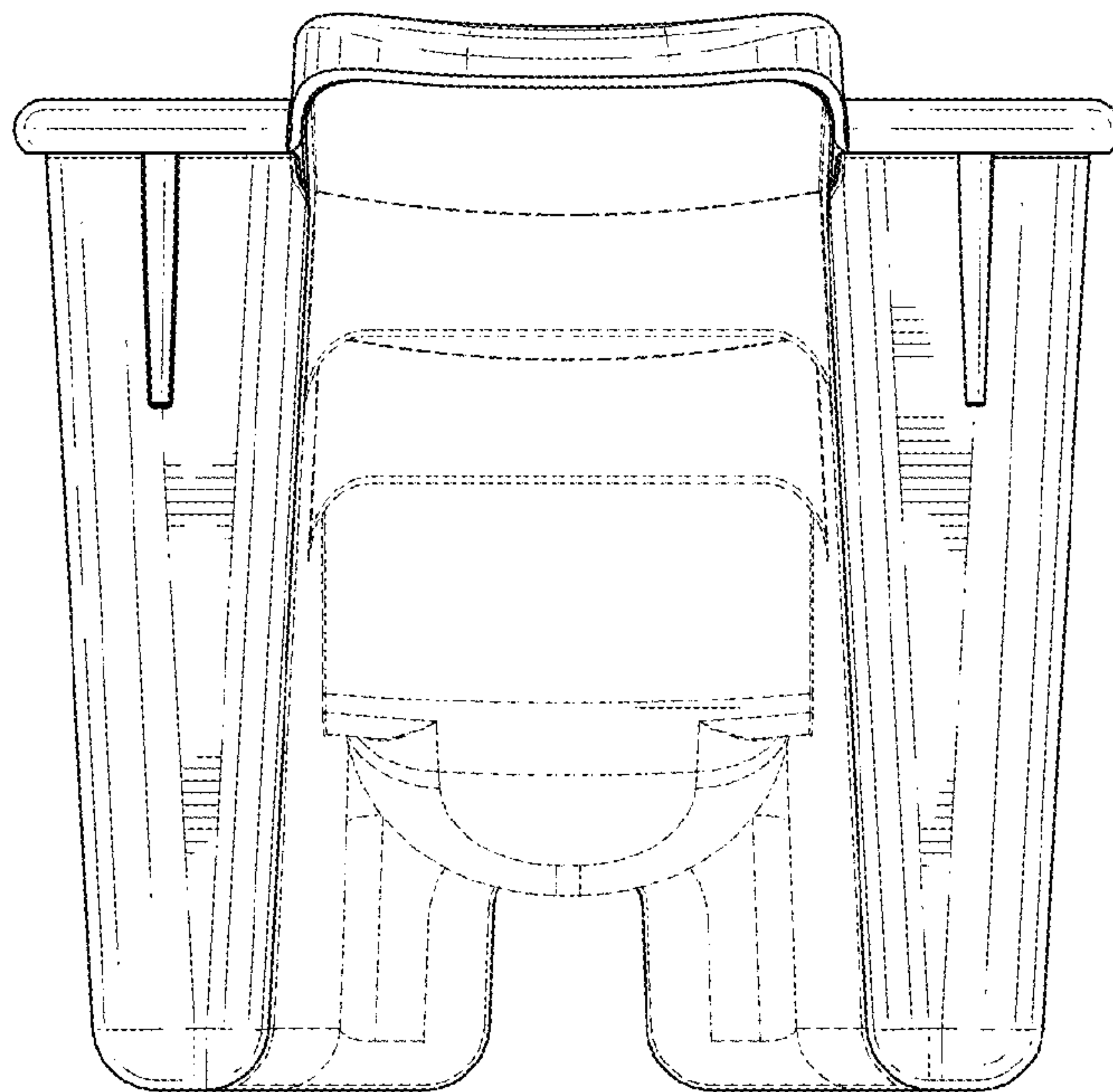


FIG. 4

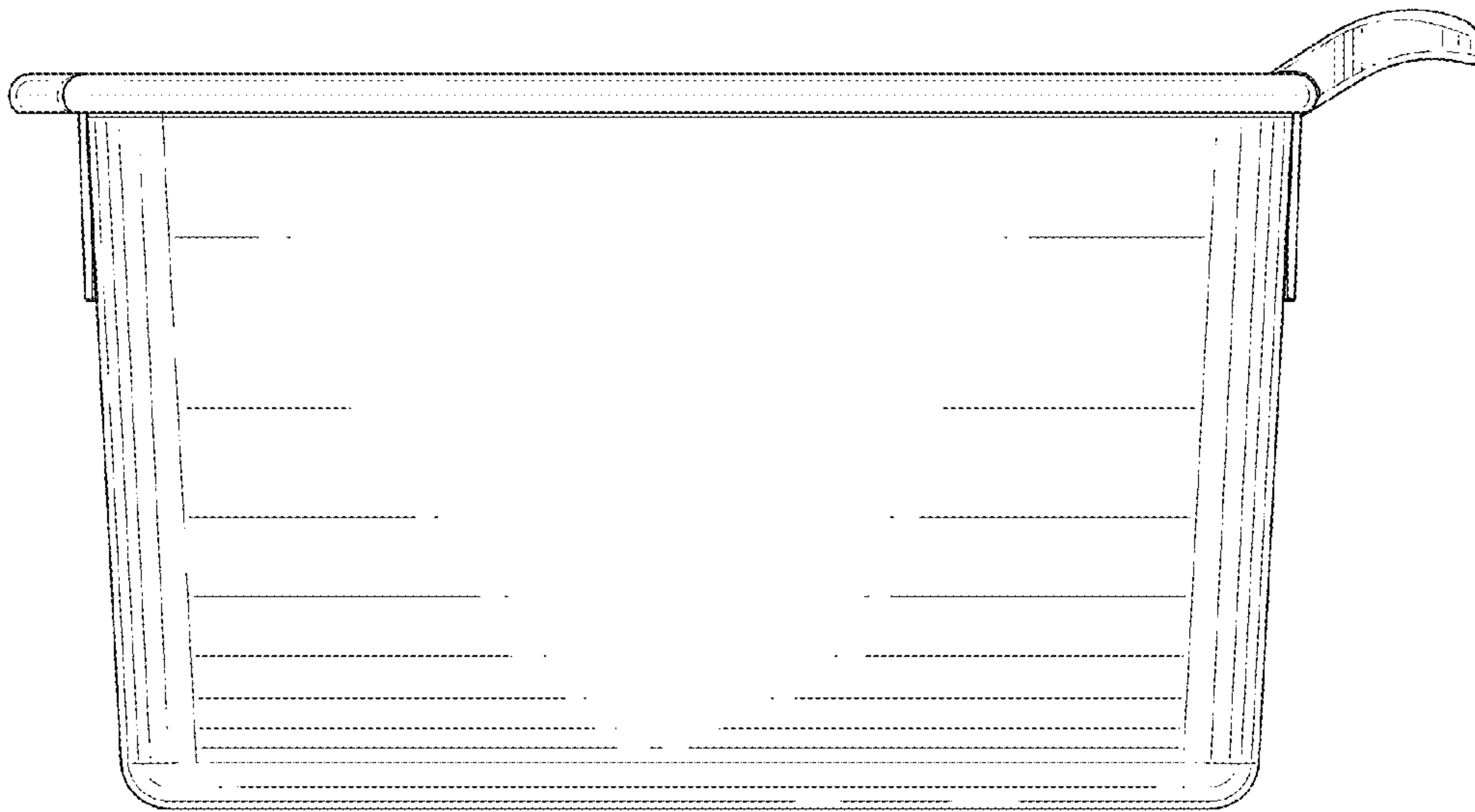


FIG. 5

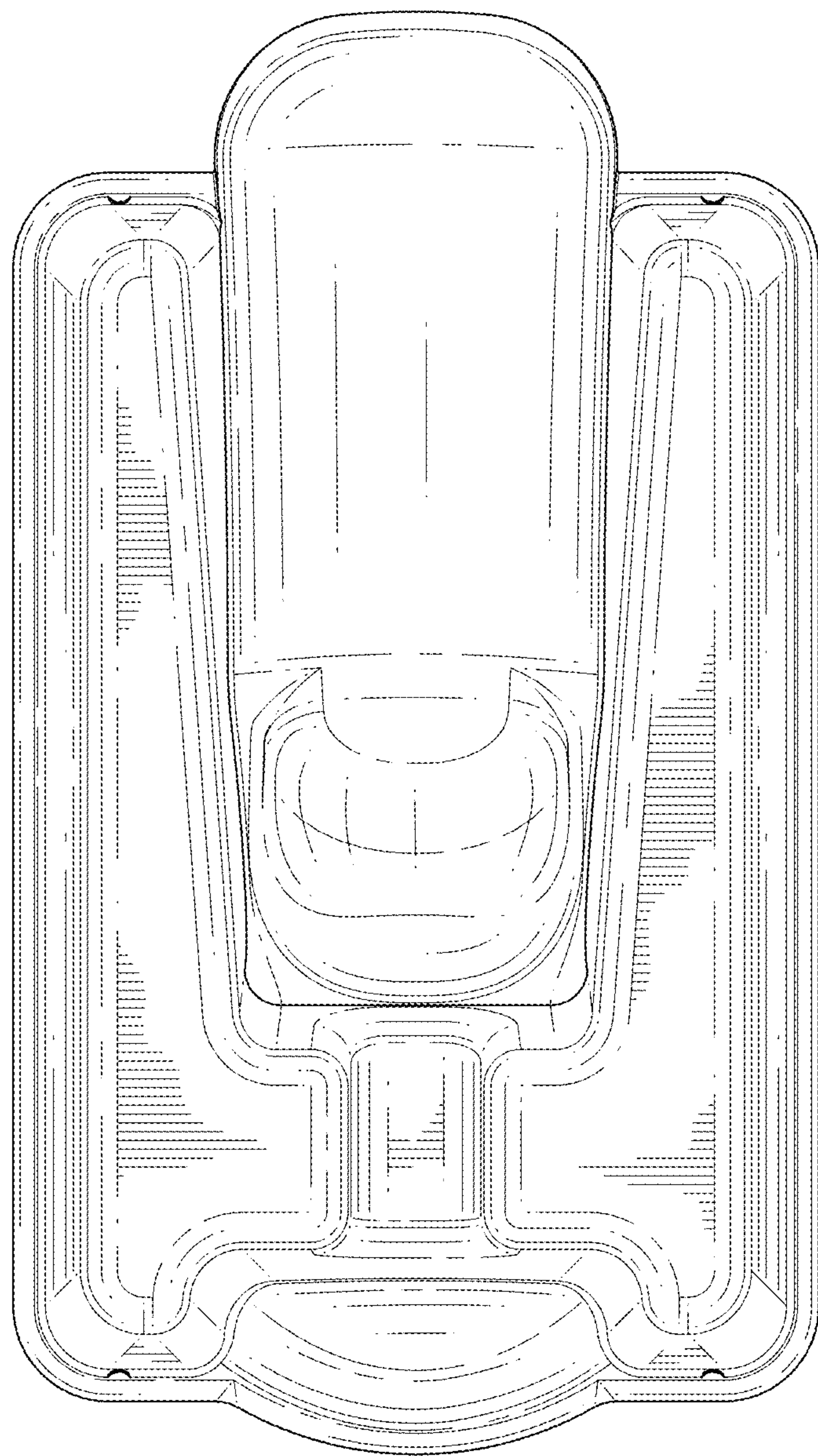


FIG. 6

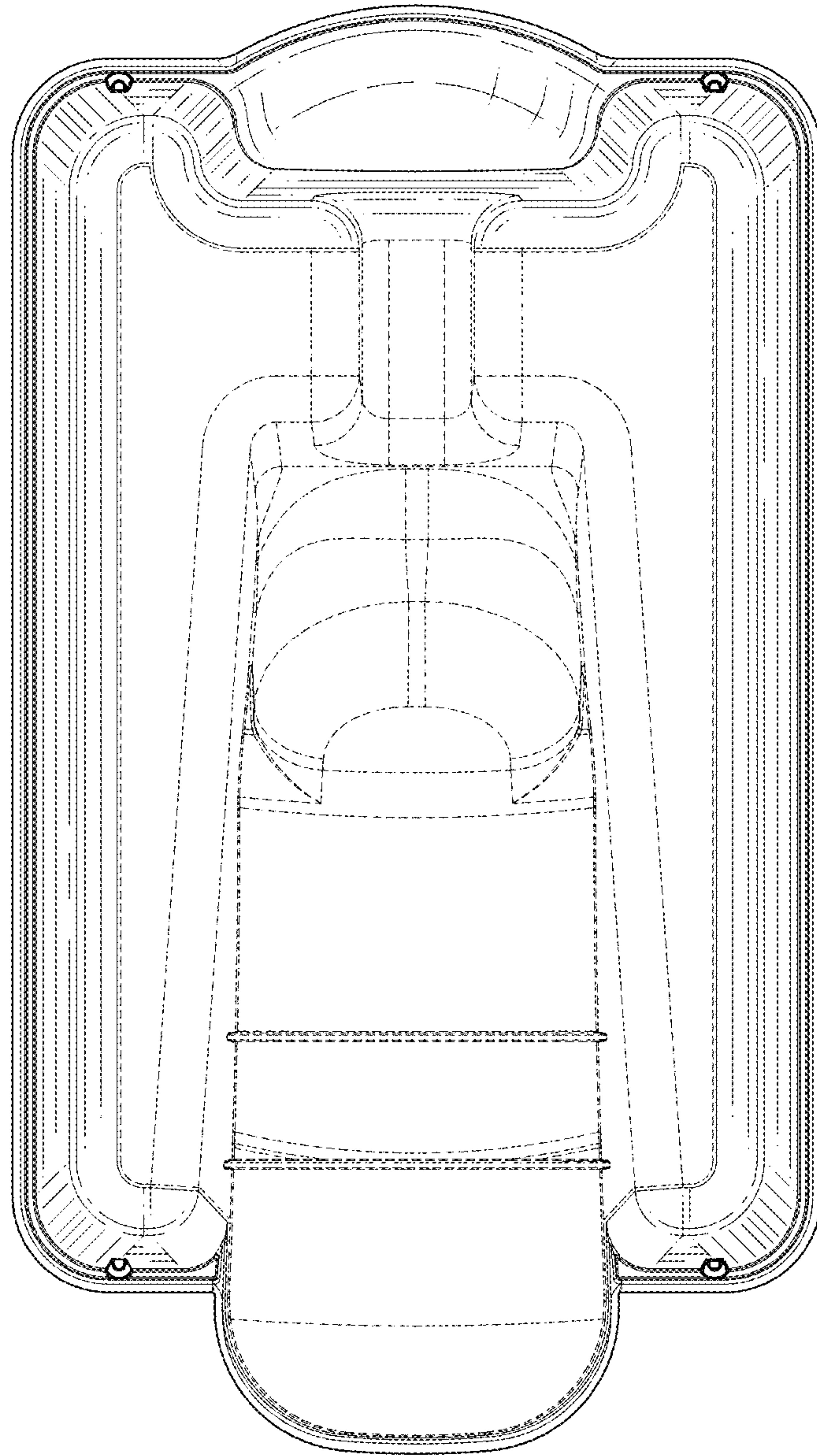


FIG. 7

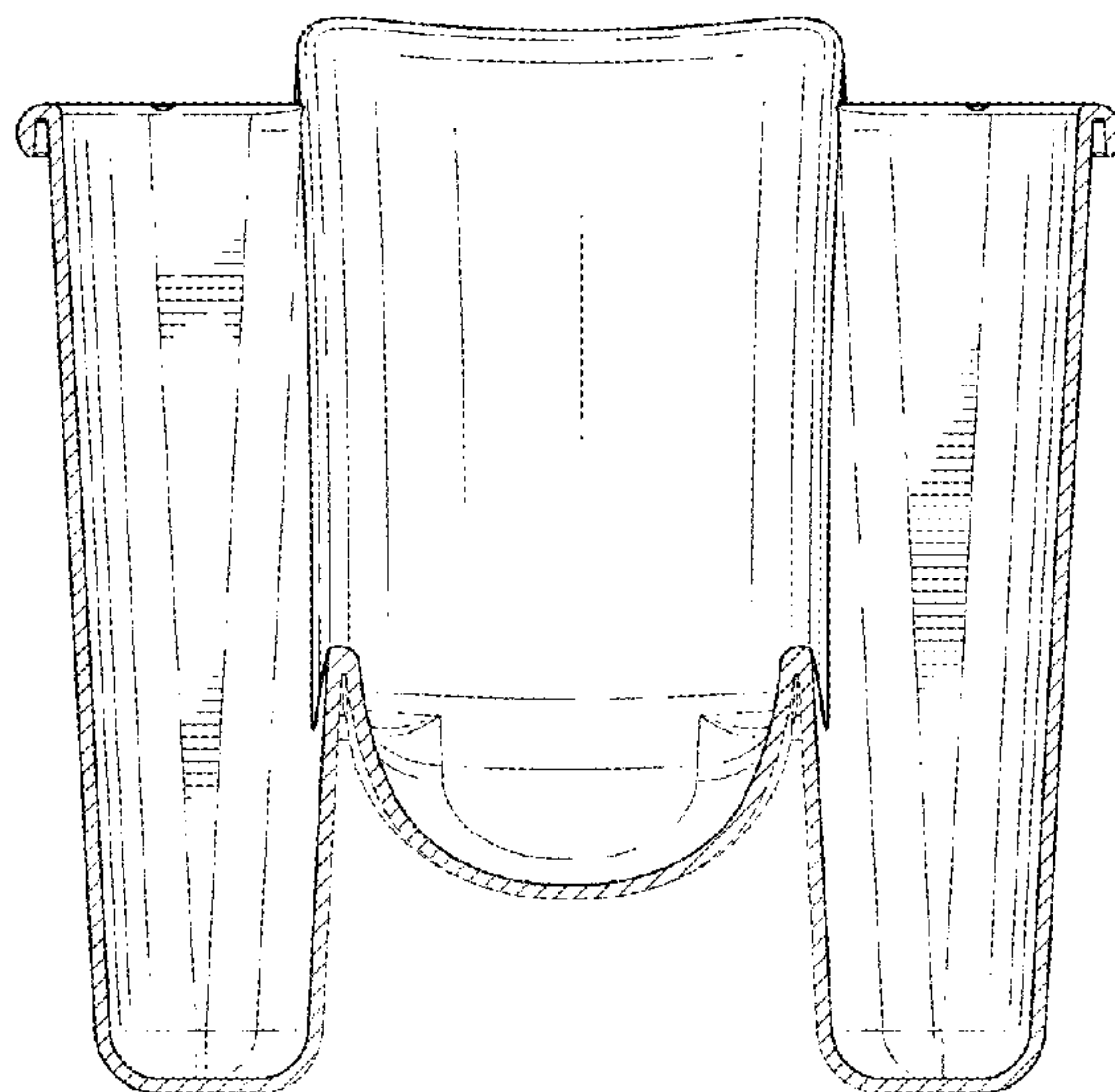


FIG. 8

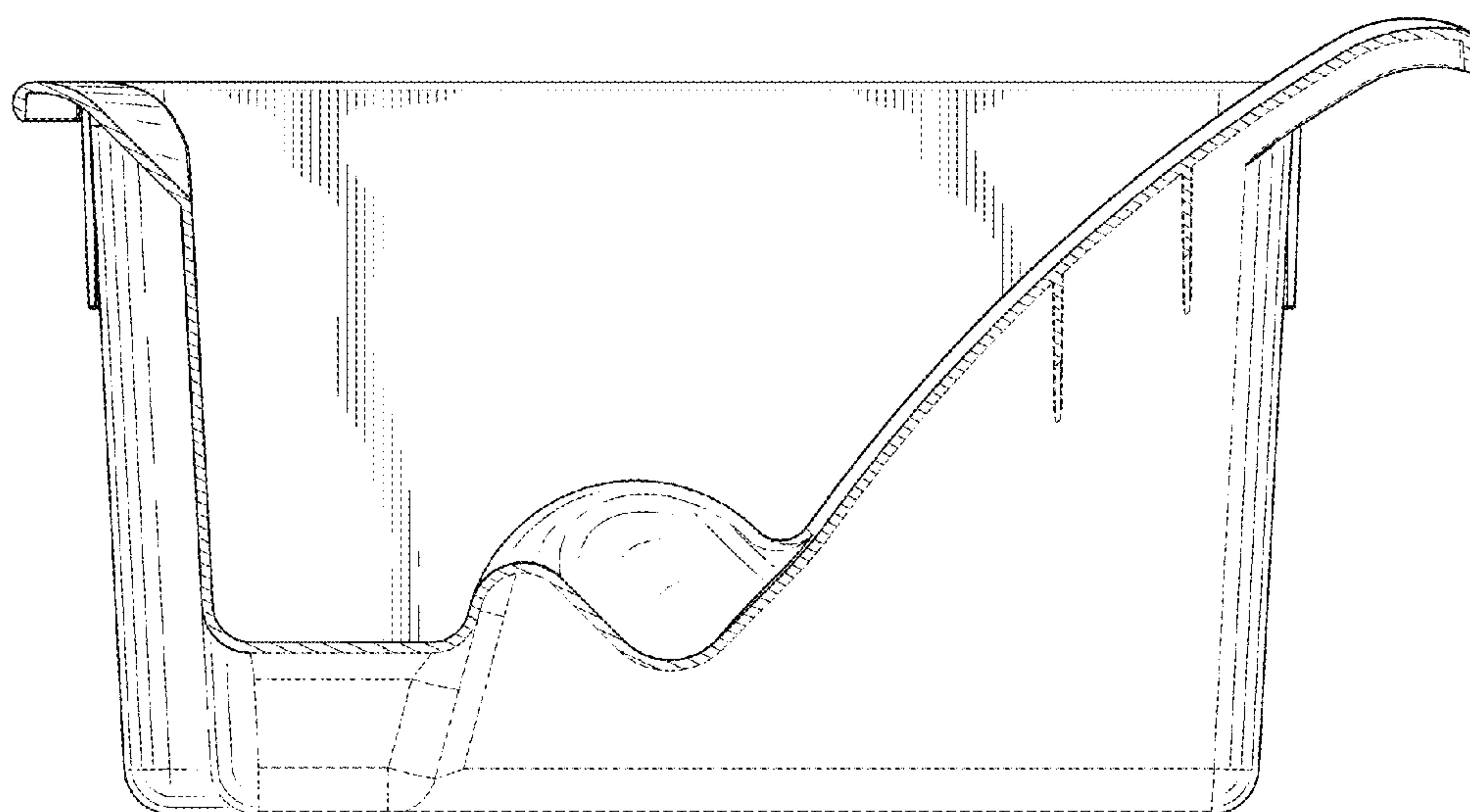


FIG. 9