



US00D719270S

(12) **United States Design Patent**
Hanson

(10) **Patent No.:** **US D719,270 S**
(45) **Date of Patent:** **** Dec. 9, 2014**

(54) **PORTABLE THERAPEUTIC DEVICE**

(71) Applicant: **Device Therapeutics, Inc.**, Flushing,
NY (US)

(72) Inventor: **Darrin Hanson**, Flushing, NY (US)

(73) Assignee: **Device Therapeutics, Inc.**, New York,
NY (US)

(**) Term: **14 Years**

(21) Appl. No.: **29/441,910**

(22) Filed: **Jan. 10, 2013**

(51) **LOC (10) Cl.** **24-01**

(52) **U.S. Cl.**
USPC **D24/200**

(58) **Field of Classification Search**
CPC A61H 33/12; A61H 33/06; A61H 33/063;
A61H 2201/10; A61H 2201/00; A61H
2201/005; A61H 2205/12; A61M 11/041;
A61M 2011/065; A61M 2209/084; A61N
5/0616; A61N 5/062; A61N 5/0613
USPC D24/133, 188, 200, 206–215; D10/57;
606/9, 33; 607/88–94; D13/108
See application file for complete search history.

(56) **References Cited**

U.S. PATENT DOCUMENTS

5,056,507	A *	10/1991	Yum	601/136
5,573,500	A *	11/1996	Katsunuma et al.	601/111
D400,261	S *	10/1998	Allende	D24/215
D435,111	S *	12/2000	Kuo	D24/213
6,285,144	B1 *	9/2001	Shih	318/15
D465,577	S *	11/2002	Kato et al.	D24/215
D478,670	S *	8/2003	Tsai	D24/212

D596,246	S *	7/2009	Nofsinger	D21/685
D613,871	S *	4/2010	Choi et al.	D24/215
D619,268	S *	7/2010	Sugiyama et al.	D24/212
D641,489	S *	7/2011	Hayton et al.	D24/209
D681,222	S *	4/2013	Chen	D24/215
D694,897	S *	12/2013	Small	D24/215
D701,614	S *	3/2014	Ding	D24/215
D706,439	S *	6/2014	Hahr et al.	D24/215
D712,056	S *	8/2014	Deramo	D24/215
2003/0050579	A1 *	3/2003	Hsieh et al.	601/104
2006/0111654	A1 *	5/2006	Mizuuchi	601/104
2007/0267020	A1 *	11/2007	Harris et al.	128/205.24
2011/0125070	A1 *	5/2011	Lu	601/115

OTHER PUBLICATIONS

“Doctor Riter’s Real-Ease” [http://www.real-ease.com/Welcome_](http://www.real-ease.com/Welcome_to_Dr._Riters.html)
<http://www.chinadrvtv.com/page/2051> [Downloaded Jan. 22, 2013].

* cited by examiner

Primary Examiner — Celia Murphy
Assistant Examiner — John Reickel
(74) *Attorney, Agent, or Firm* — Brendan Mee

(57) **CLAIM**
The ornamental design for a portable therapeutic device, as shown and described.

DESCRIPTION

FIG. 1 is a perspective view of a portable therapeutic device;
FIG. 2 is a top plan view thereof;
FIG. 3 is a bottom plan view thereof.
FIG. 4 is a front elevation view thereof;
FIG. 5 is a back elevation view thereof;
FIG. 6 is a left elevation view thereof; and,
FIG. 7 is a right elevation view thereof.

1 Claim, 5 Drawing Sheets

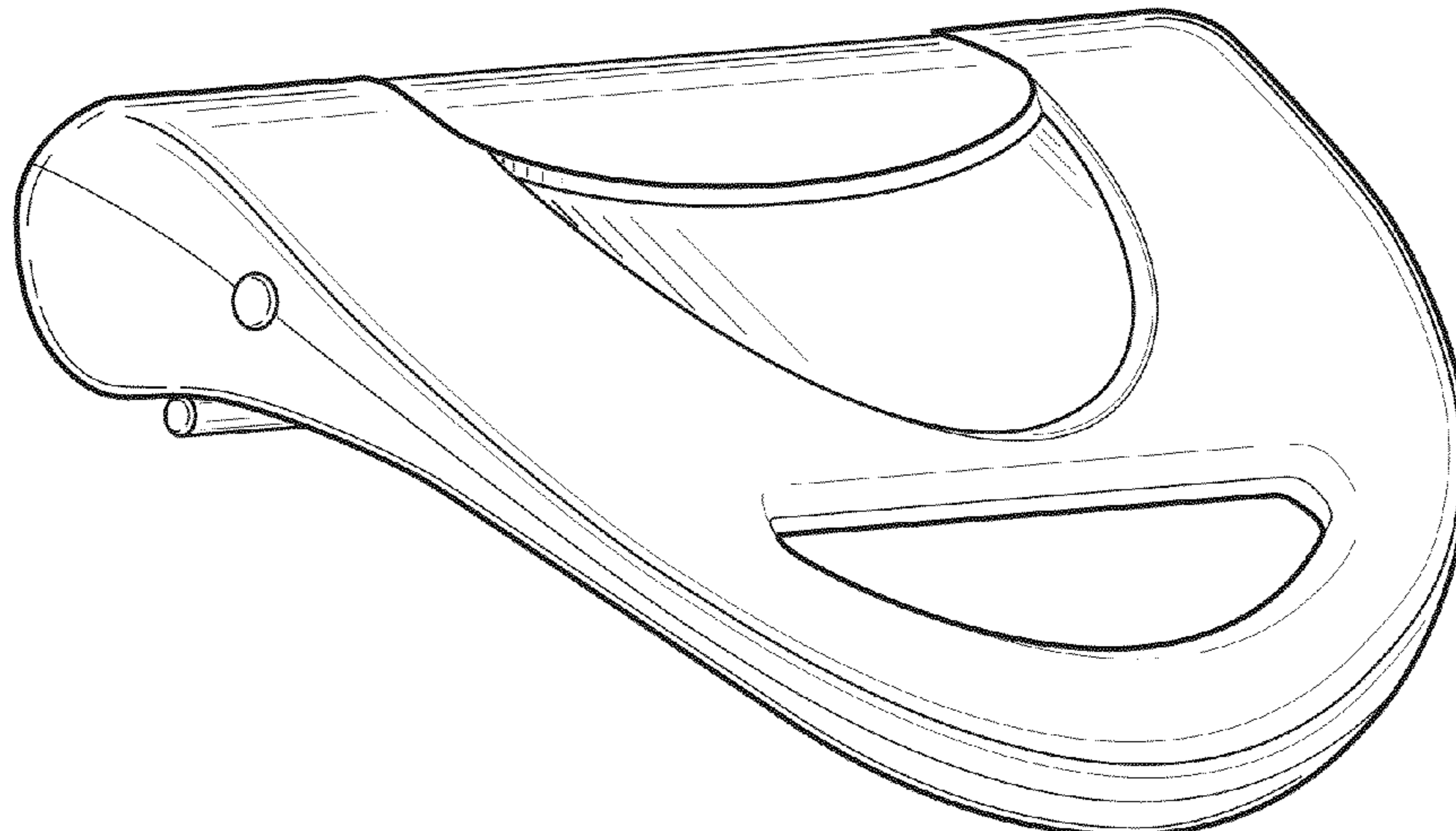


FIG. 1

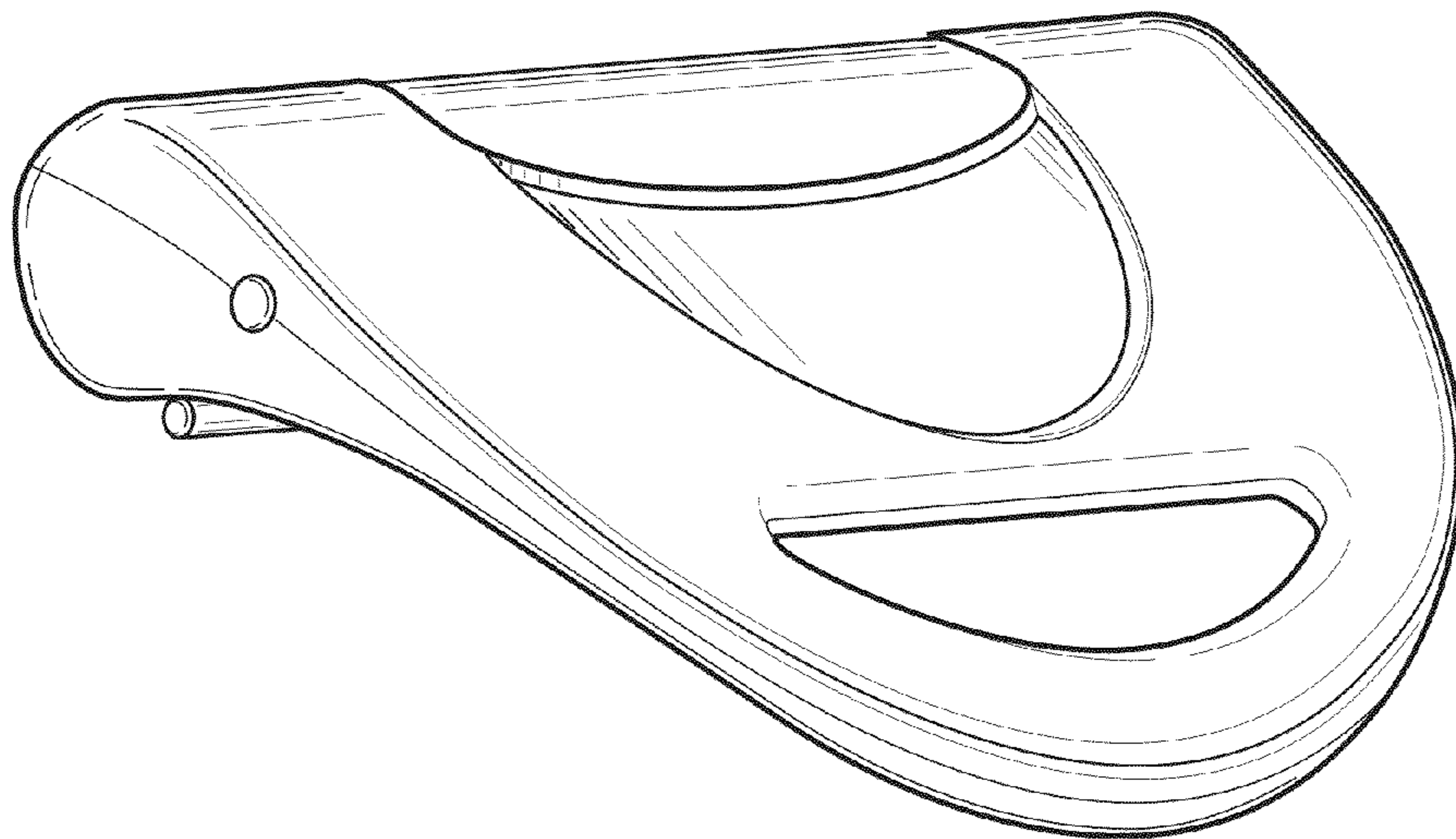


FIG. 2

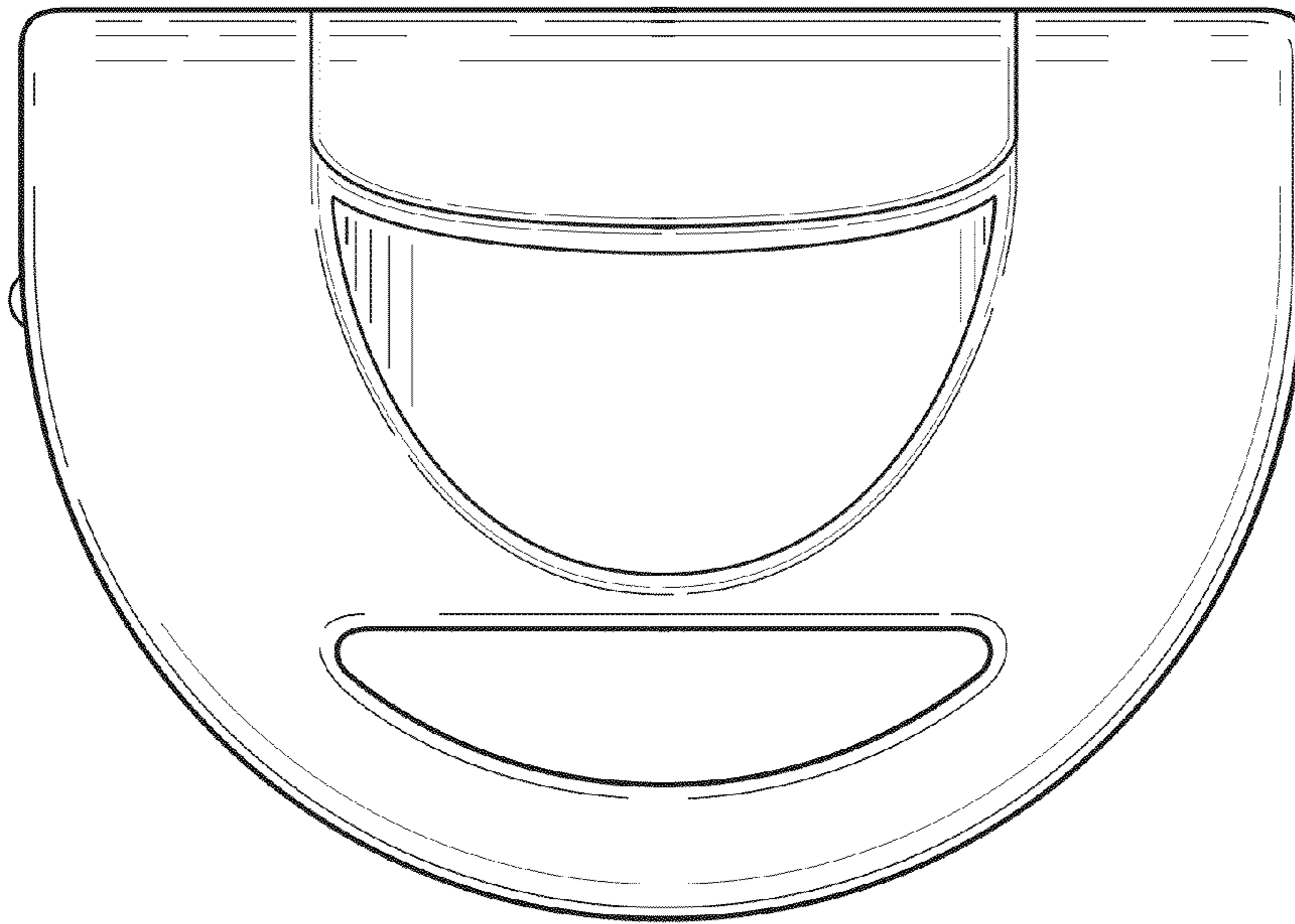


FIG. 3

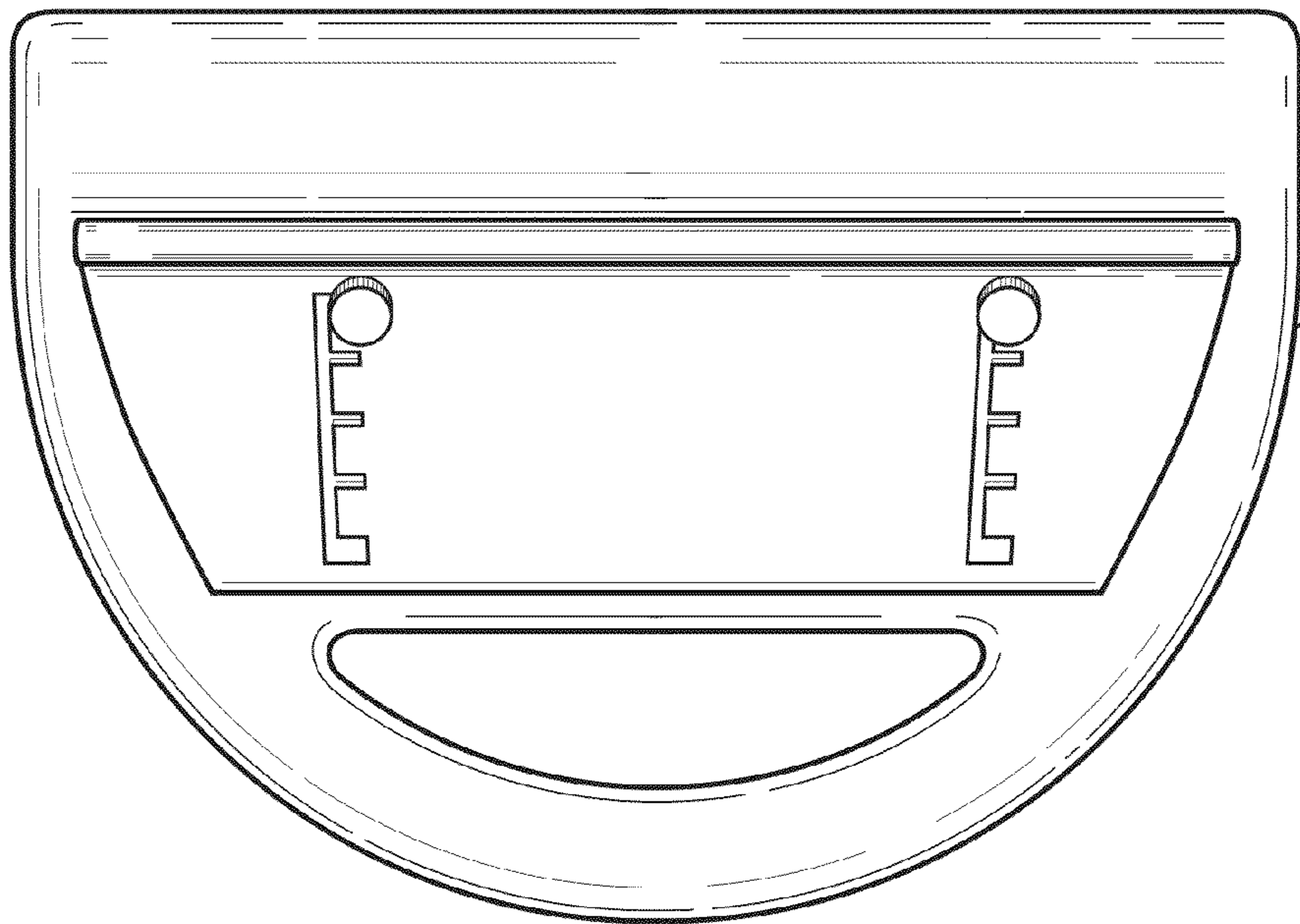


FIG. 4

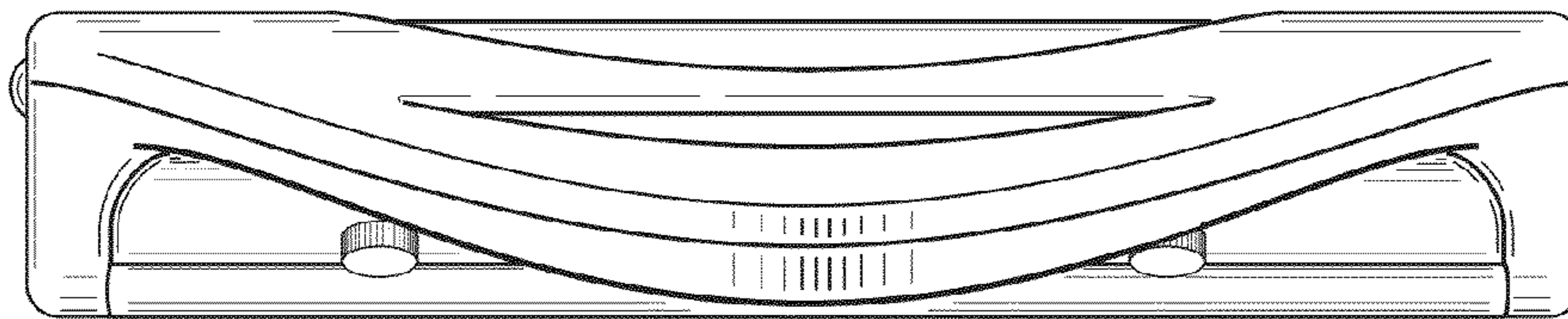


FIG. 5

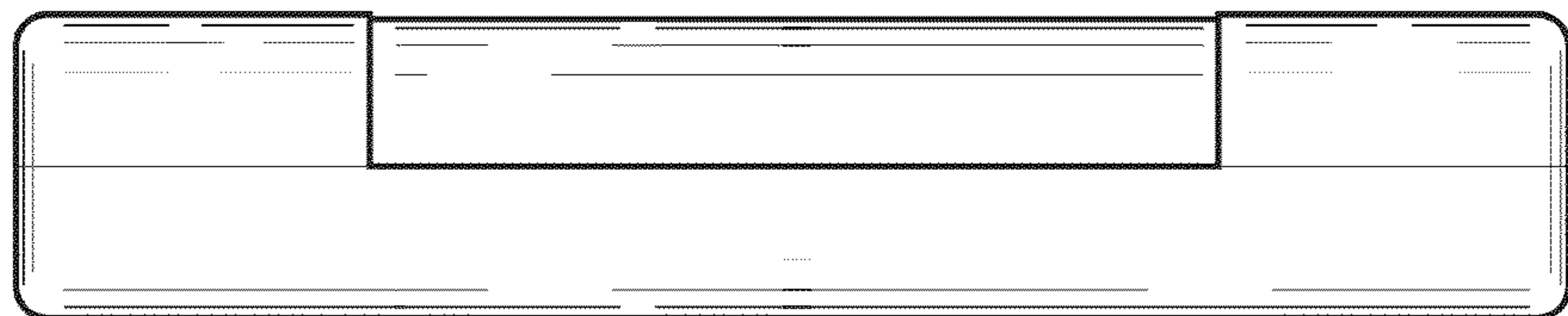


FIG. 6

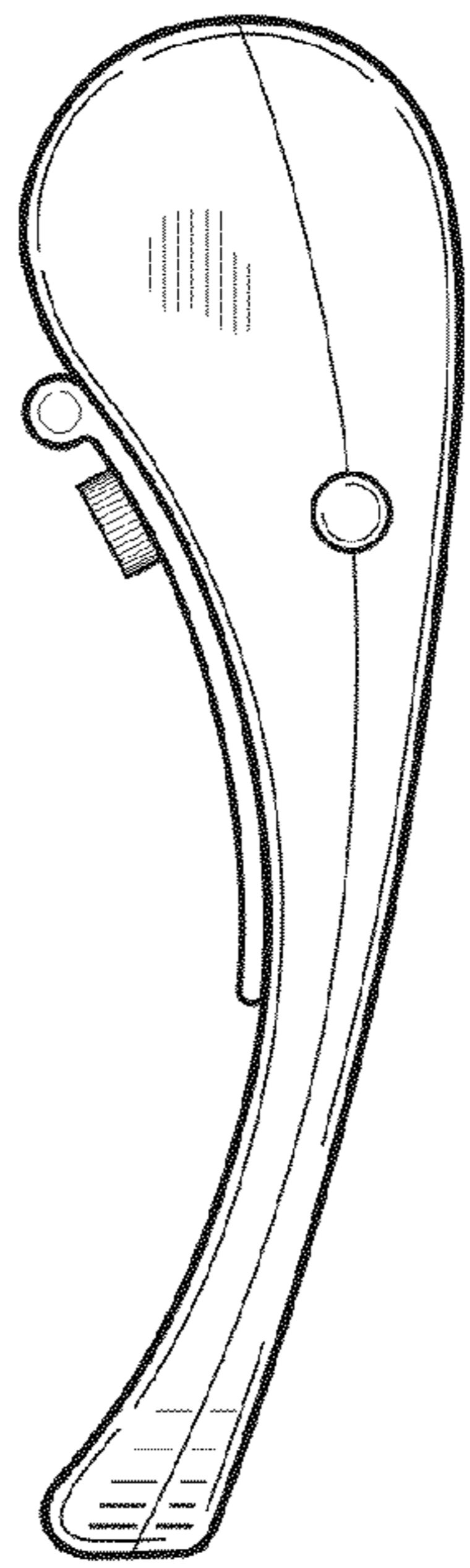


FIG. 7

