



US00D719268S

(12) **United States Design Patent**
Recht et al.

(10) **Patent No.:** **US D719,268 S**

(45) **Date of Patent:** **** Dec. 9, 2014**

(54) **PACIFIER FOR BABIES**
(71) Applicant: **MAPA GmbH**, Zeven (DE)
(72) Inventors: **Andreas Recht**, Heeslingen (DE); **Uwe Wagenknecht**, Tostedt (DE); **Eckhard Itzek**, Nartum (DE); **Ralf Holschumacher**, Zeven (DE); **Bodo Warden**, Viersen (DE); **Sara Rebecca Kröncke**, Hamburg (DE)

(73) Assignee: **MAPA GmbH**, Zeven (DE)

(**) Term: **14 Years**

(21) Appl. No.: **29/448,171**

(22) Filed: **Mar. 11, 2013**

(30) **Foreign Application Priority Data**

Sep. 13, 2012 (EM) 002102053

(51) **LOC (10) Cl.** **24-04**

(52) **U.S. Cl.**
USPC **D24/194**

(58) **Field of Classification Search**
CPC A61J 17/00; A61J 17/02
USPC 606/234-236; D24/193-196, 115, 117,
D24/199; 215/11.1, 11.6; D21/659
See application file for complete search history.

(56) **References Cited**

U.S. PATENT DOCUMENTS

D487,929 S * 3/2004 Liu et al. D24/194
6,767,357 B2 * 7/2004 Uehara et al. 606/235
7,029,491 B2 * 4/2006 Davis 606/234

D599,026 S * 8/2009 Cudworth D24/194
D645,154 S * 9/2011 Belluzzi et al. D24/194
8,133,259 B2 * 3/2012 Roehrig et al. 606/234
D659,253 S * 5/2012 Valderrama et al. D24/194
D671,652 S * 11/2012 Middleton D24/194
D674,496 S * 1/2013 Roehrig et al. D24/194
D686,331 S * 7/2013 Dussere D24/194
D690,823 S * 10/2013 D'Alesio D24/194
2013/0046342 A1 * 2/2013 Rohrig 606/236

* cited by examiner

Primary Examiner — Deanna L Pratt

Assistant Examiner — Kendra L Hamilton

(74) *Attorney, Agent, or Firm* — Vidas, Arrett & Steinkraus

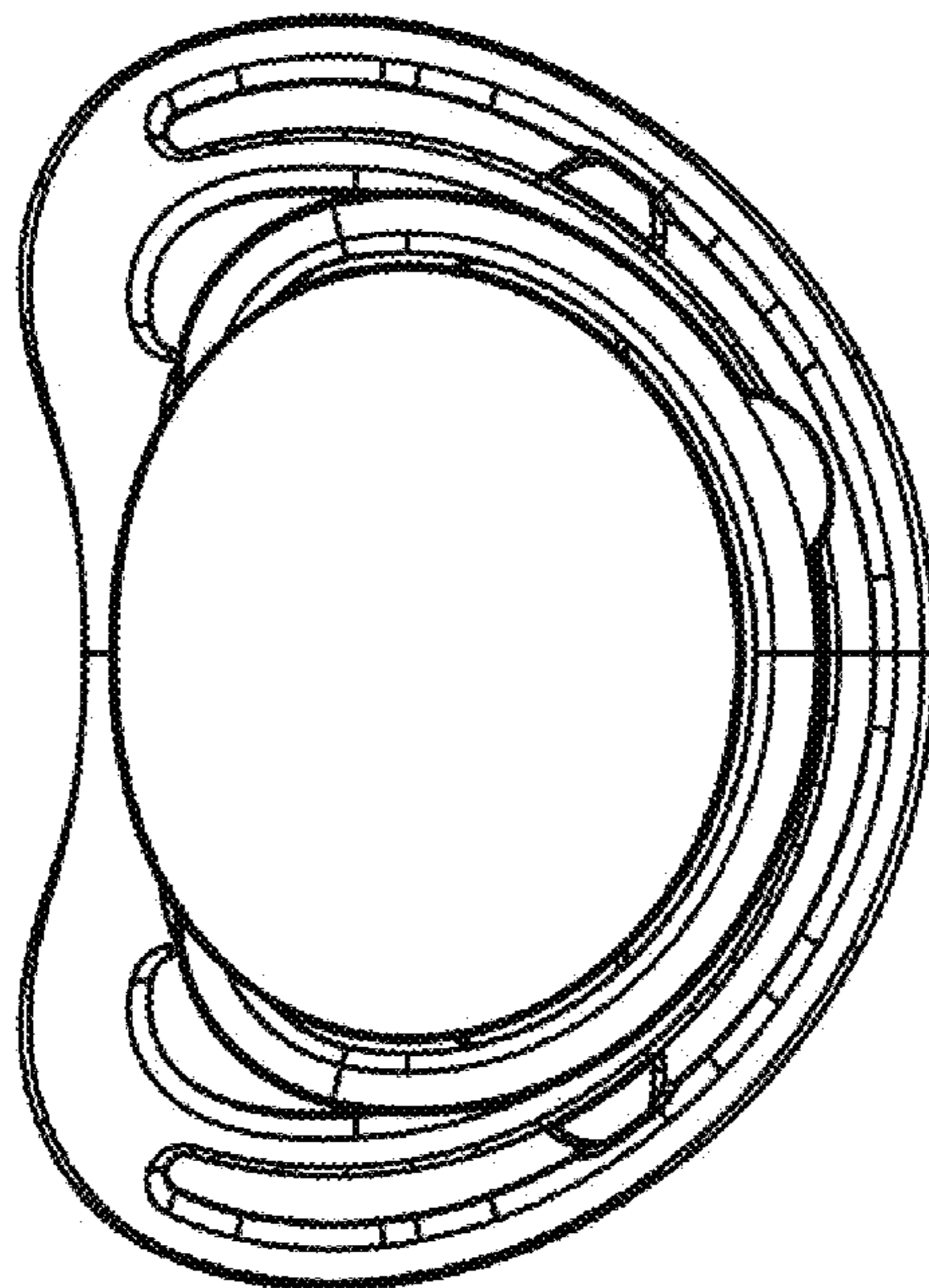
(57) **CLAIM**

The ornamental design for a pacifier for babies, as shown.

DESCRIPTION

FIG. 1 shows a top view of the first embodiment with the sucking nipple shown in silhouette;
FIG. 2 shows a bottom view of the first embodiment with the sucking nipple shown in silhouette;
FIG. 3 shows a front view of the first embodiment with the sucking nipple shown in silhouette;
FIG. 4 shows a back view of the first embodiment with the sucking nipple shown in silhouette;
FIG. 5 shows a left view of the first embodiment with the sucking nipple shown in silhouette;
FIG. 6 shows a right view of the first embodiment with the sucking nipple shown in silhouette; and,
FIG. 7 shows a top, front and left perspective view of the first embodiment with the sucking nipple shown in silhouette.
The broken line showing of the sucking nipple in the figures illustrates a portion of the pacifier for babies which forms no part of the claimed design.

1 Claim, 7 Drawing Sheets



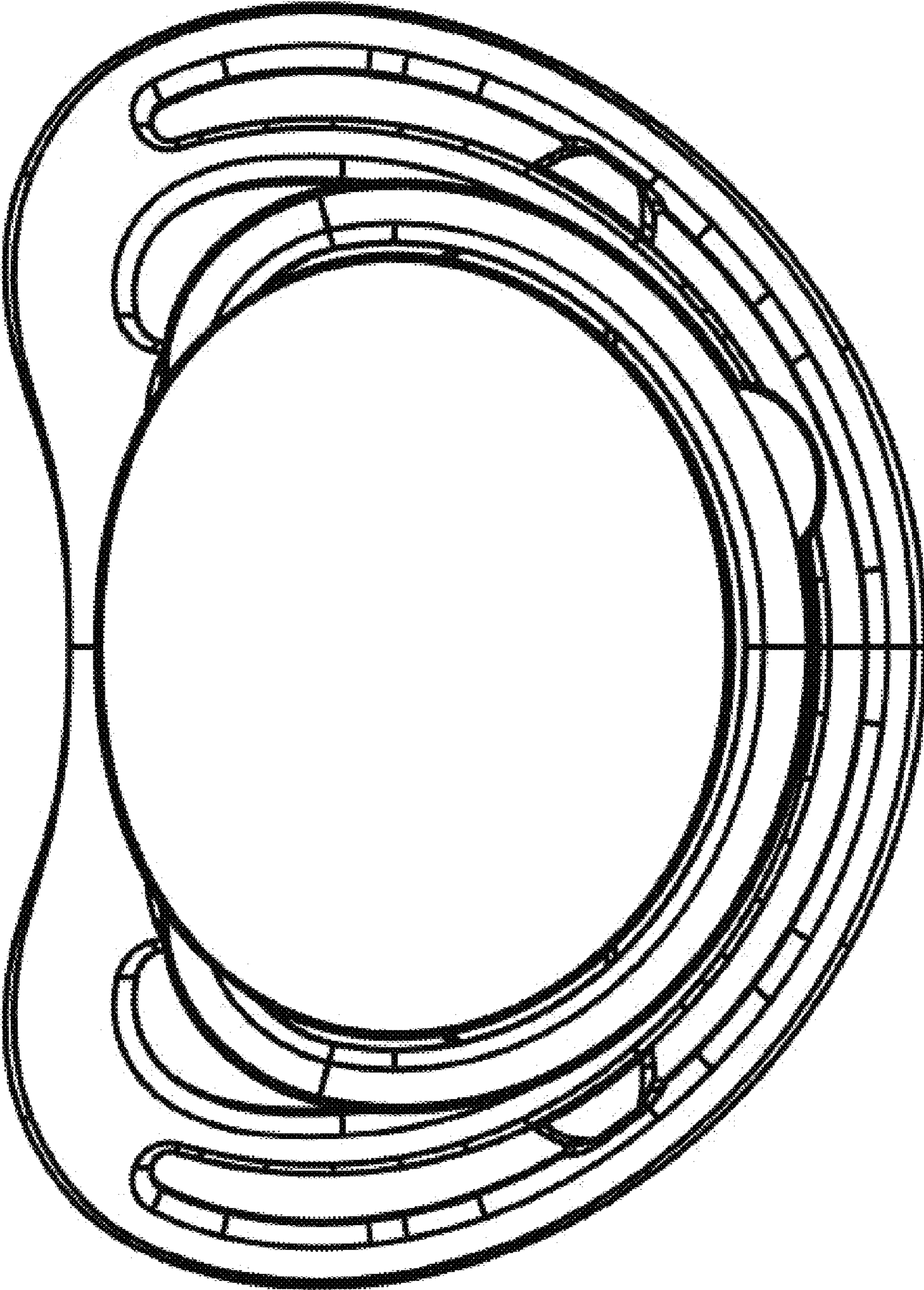


Figure 1

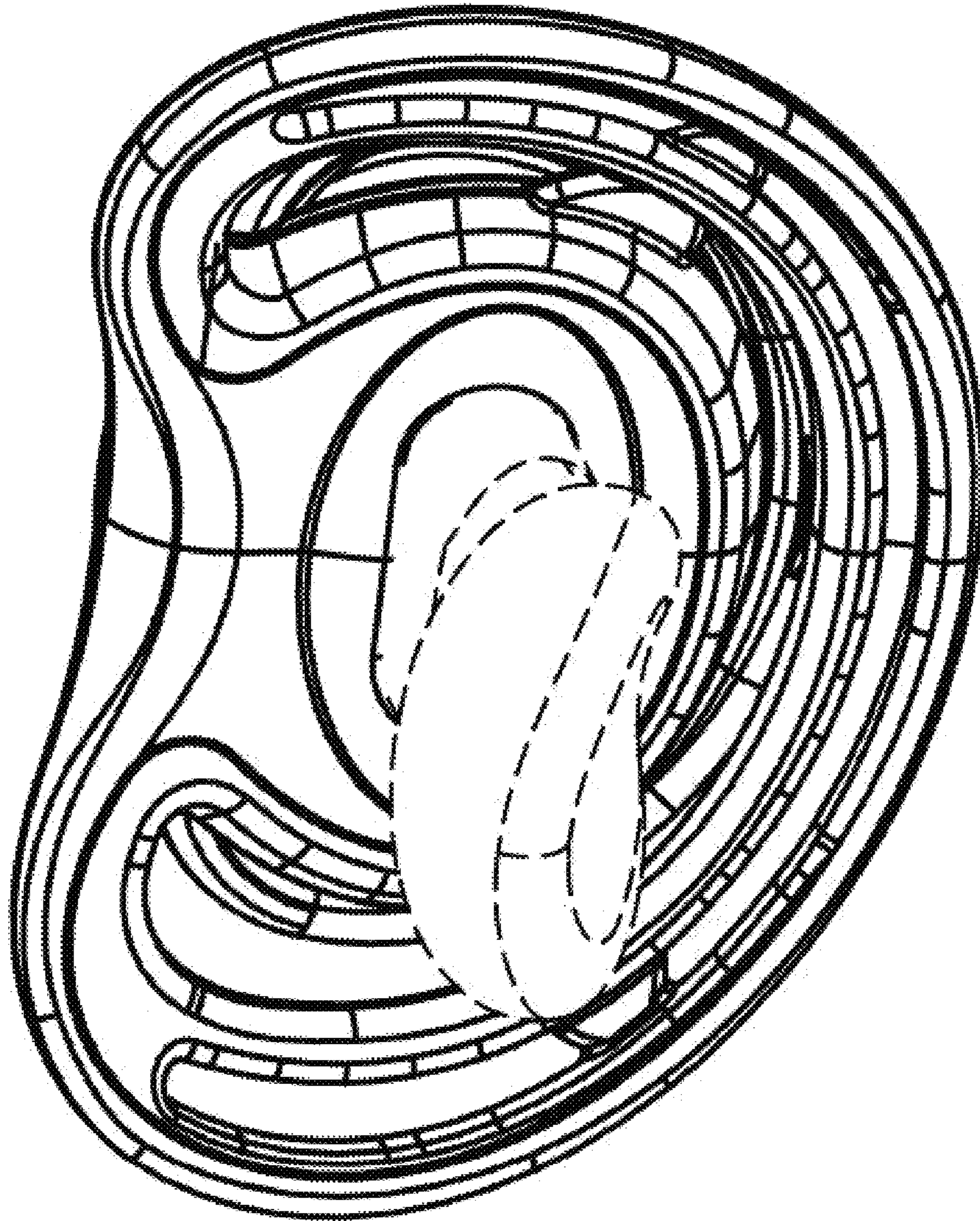


Figure 2

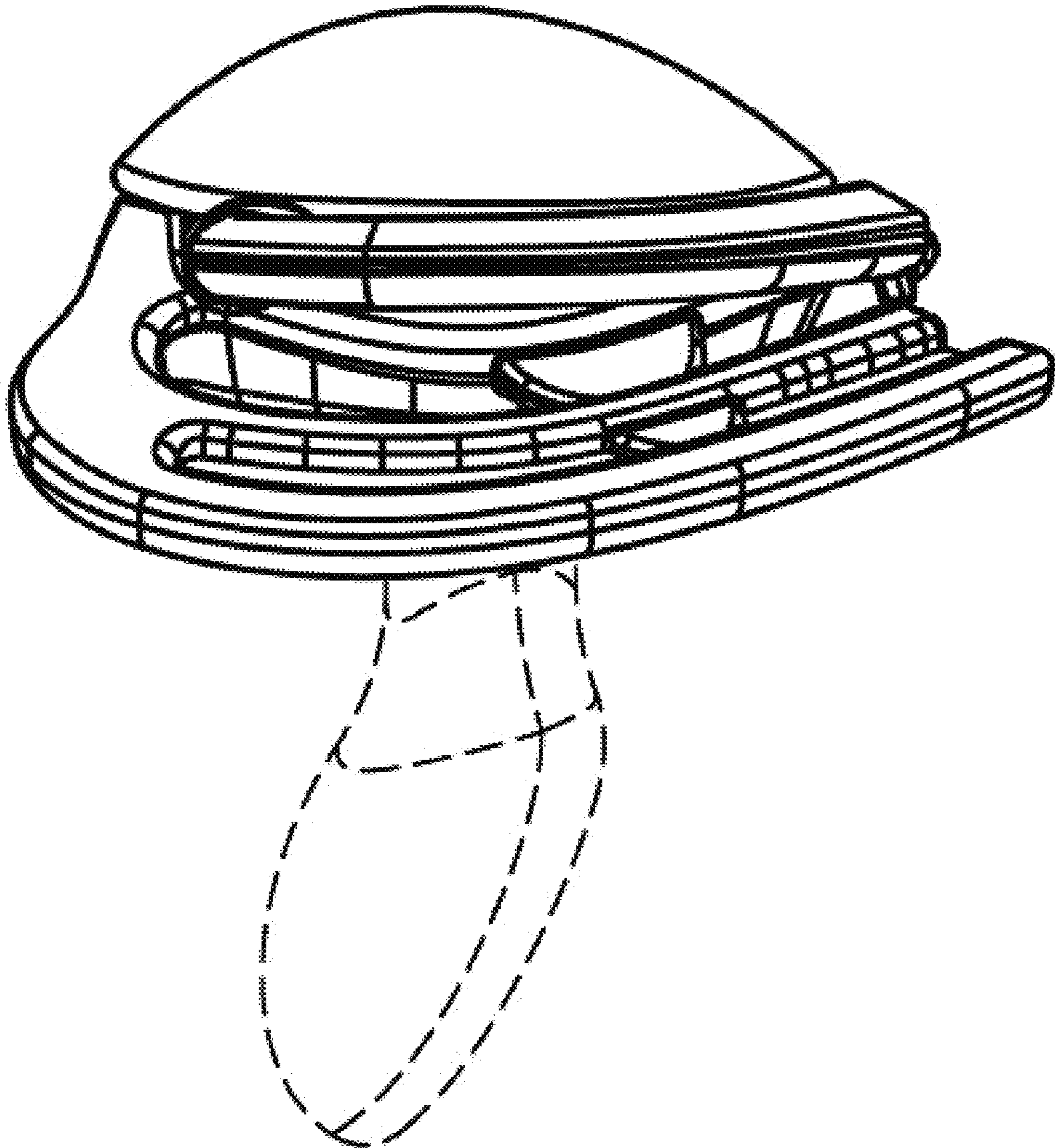


Figure 3

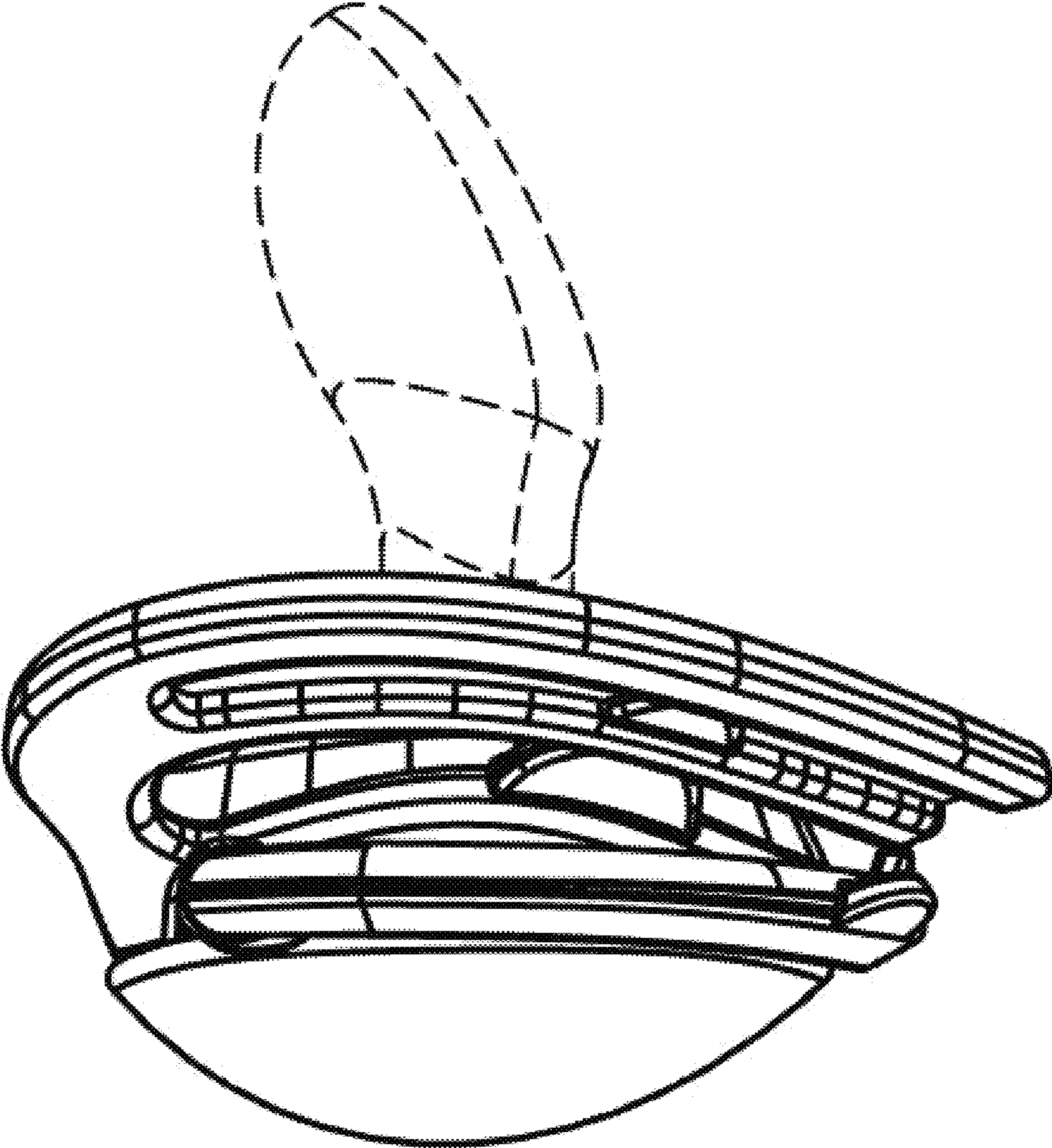


Figure 4

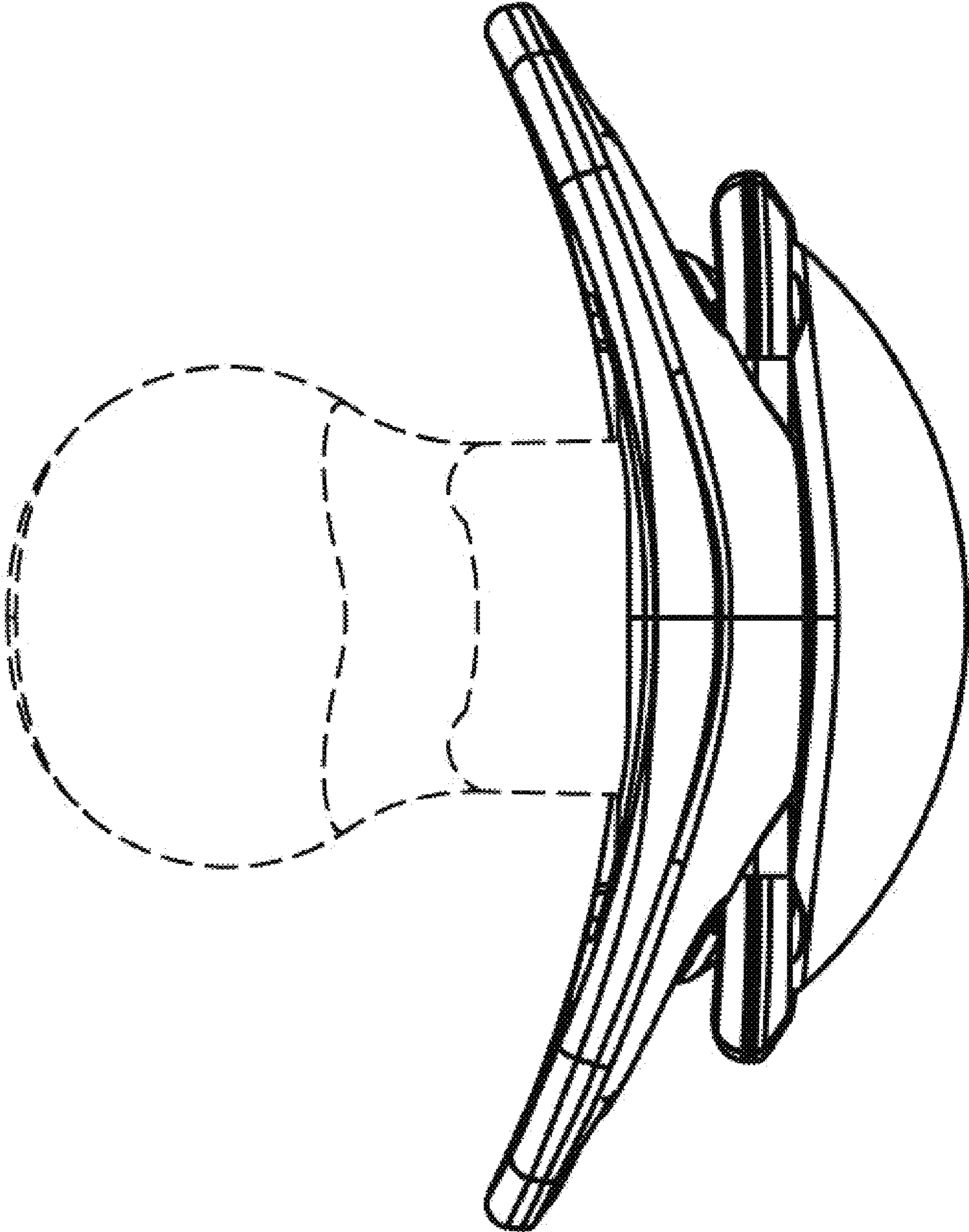


Figure 5

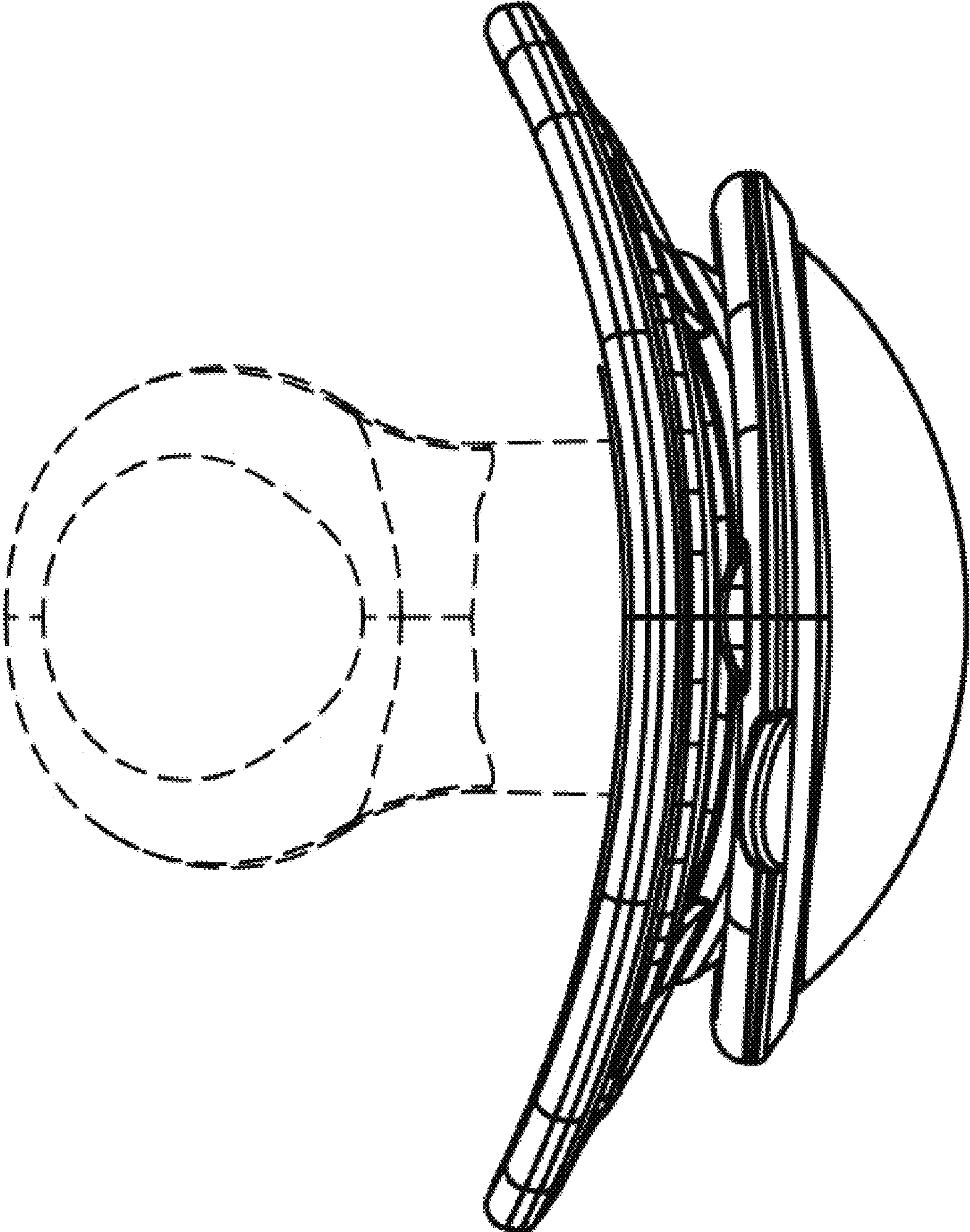


Figure 6

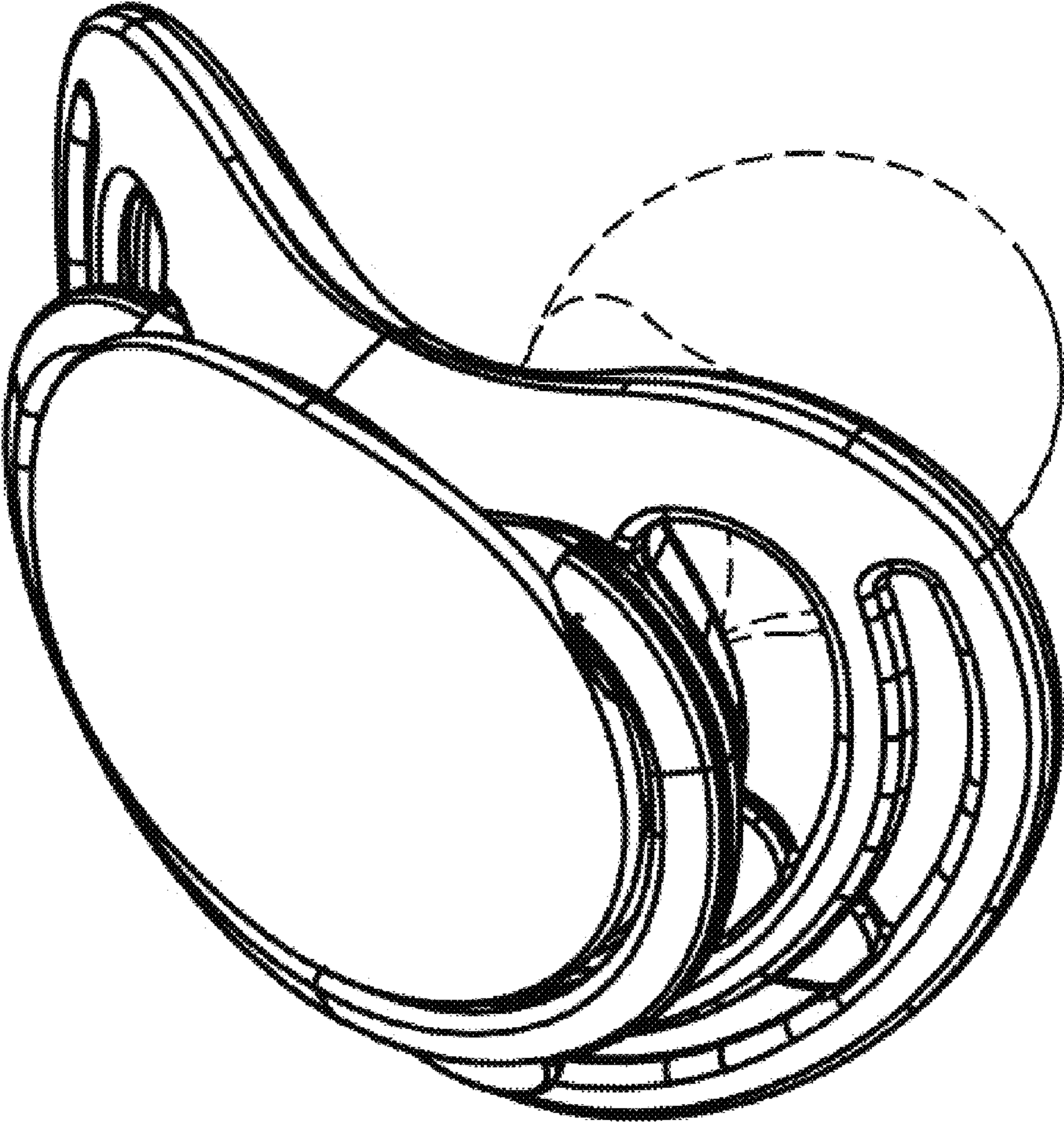


Figure 7