



US00D719265S

(12) **United States Design Patent**  
**Wang**

(10) **Patent No.:** **US D719,265 S**

(45) **Date of Patent:** **\*\* Dec. 9, 2014**

(54) **CERVICAL VERTEBRA STRETCH DEVICE**

(71) Applicant: **Jiangsu Anhui Medical Devices Co., Ltd.**, Jiangsu (CN)

(72) Inventor: **Jiang Wang**, Jiangsu (CN)

(73) Assignee: **Jiangsu Anhui Medical Devices Co., Ltd.**, Jiangsu (CN)

(\*\*) Term: **14 Years**

(21) Appl. No.: **29/465,644**

(22) Filed: **Aug. 29, 2013**

(30) **Foreign Application Priority Data**

Jun. 17, 2013 (CN) ..... 2013 3 0254336

(51) **LOC (10) Cl.** ..... **24-01**

(52) **U.S. Cl.**  
USPC ..... **D24/171**

(58) **Field of Classification Search**  
USPC ..... D24/170, 171, 190, 191, 209, 231;  
128/857, 206.29; 606/71, 74, 246, 291,  
606/321, 327  
See application file for complete search history.

(56) **References Cited**

**U.S. PATENT DOCUMENTS**

D605,300 S \* 12/2009 Mazzarolo et al. .... D24/191  
D628,307 S \* 11/2010 Krause-Bonte ..... D24/231

D631,167 S \* 1/2011 Leatt et al. .... D24/191  
D633,623 S \* 3/2011 Leatt et al. .... D24/191  
D644,331 S \* 8/2011 Sandhu ..... D24/191  
D647,623 S \* 10/2011 Thorgilsdottir et al. .... D24/191  
D647,624 S \* 10/2011 Thorgilsdottir et al. .... D24/191  
D648,858 S \* 11/2011 Hayton et al. .... D24/209  
D649,649 S \* 11/2011 Leatt et al. .... D24/191  
2013/0245688 A1 \* 9/2013 Biedermann et al. .... 606/246

\* cited by examiner

*Primary Examiner* — Ian Simmons

*Assistant Examiner* — Rhea Shields

(74) *Attorney, Agent, or Firm* — Raymond Y. Chan; David and Raymond Patent Firm

(57) **CLAIM**

The ornamental design for a cervical vertebra stretch device, as shown and described.

**DESCRIPTION**

FIG. 1 is a front view of cervical vertebra stretch device showing my new design.

FIG. 2 is a rear view thereof.

FIG. 3 is a right view thereof.

FIG. 4 is a left end view thereof.

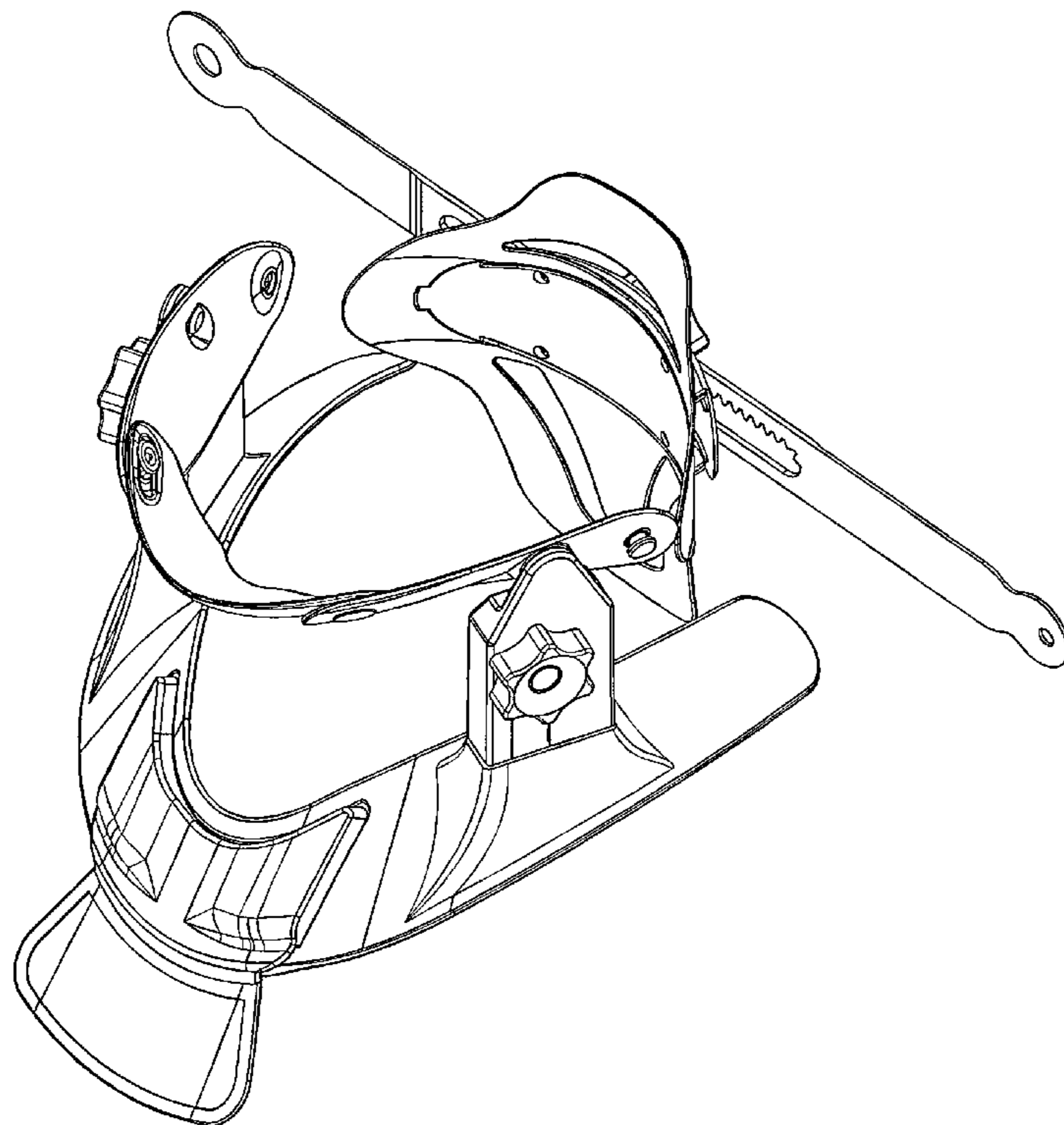
FIG. 5 is a top view thereof;

FIG. 6 is a bottom view thereof; and,

FIG. 7 is a perspective view thereof.

In the drawings, the broken lines depict environmental subject matter only and form no part of the claimed design.

**1 Claim, 7 Drawing Sheets**



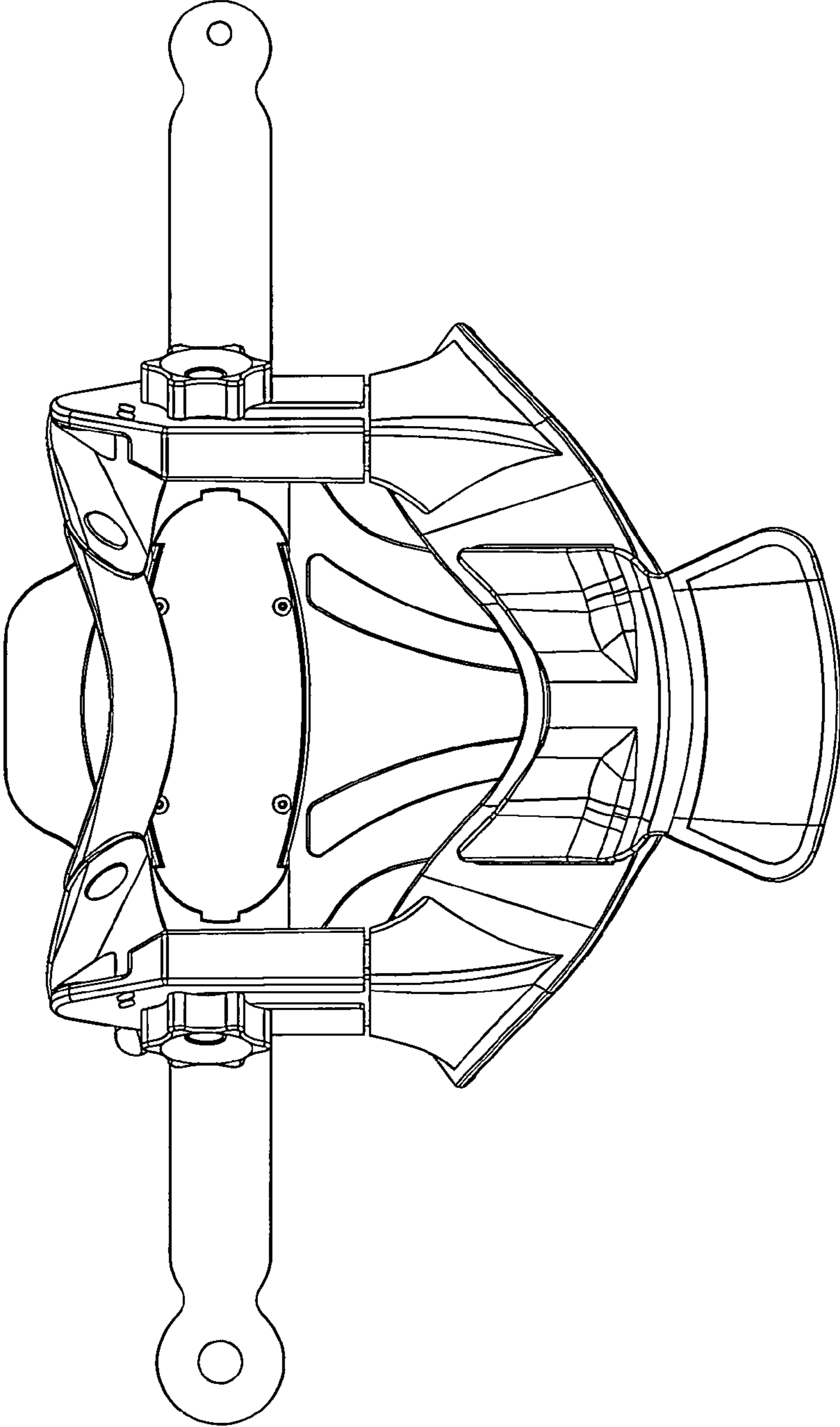


FIG.1

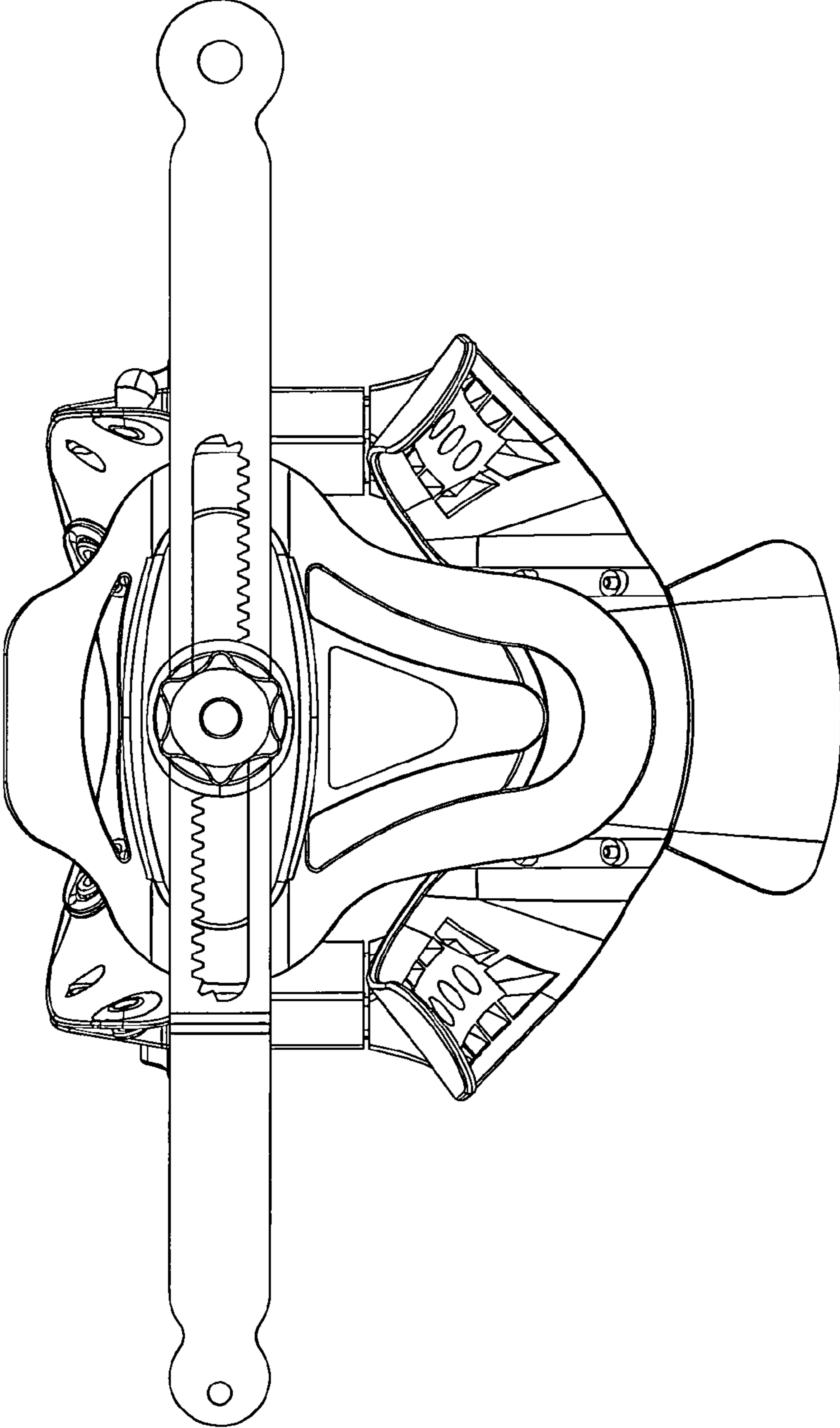


FIG.2

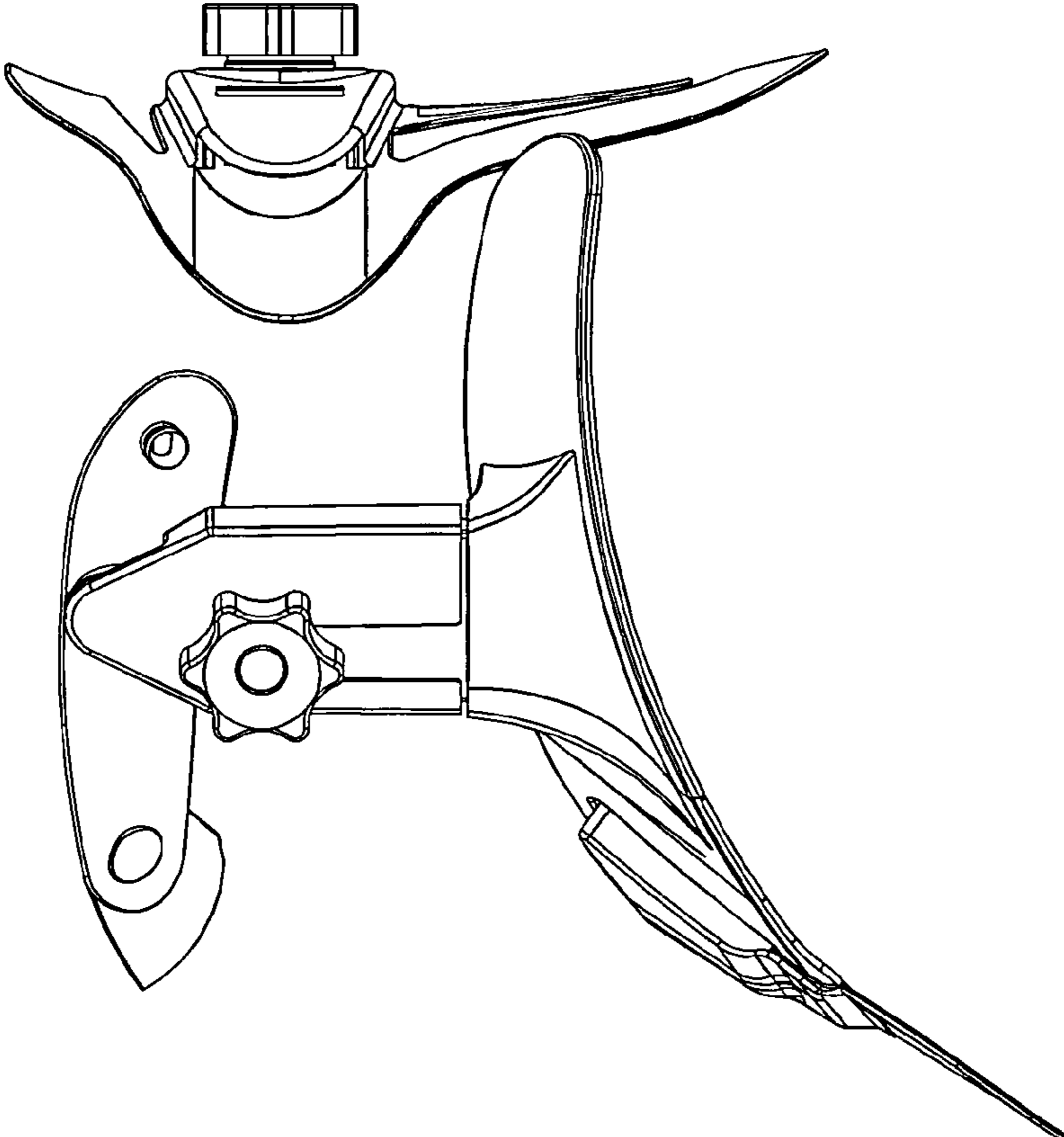


FIG.3

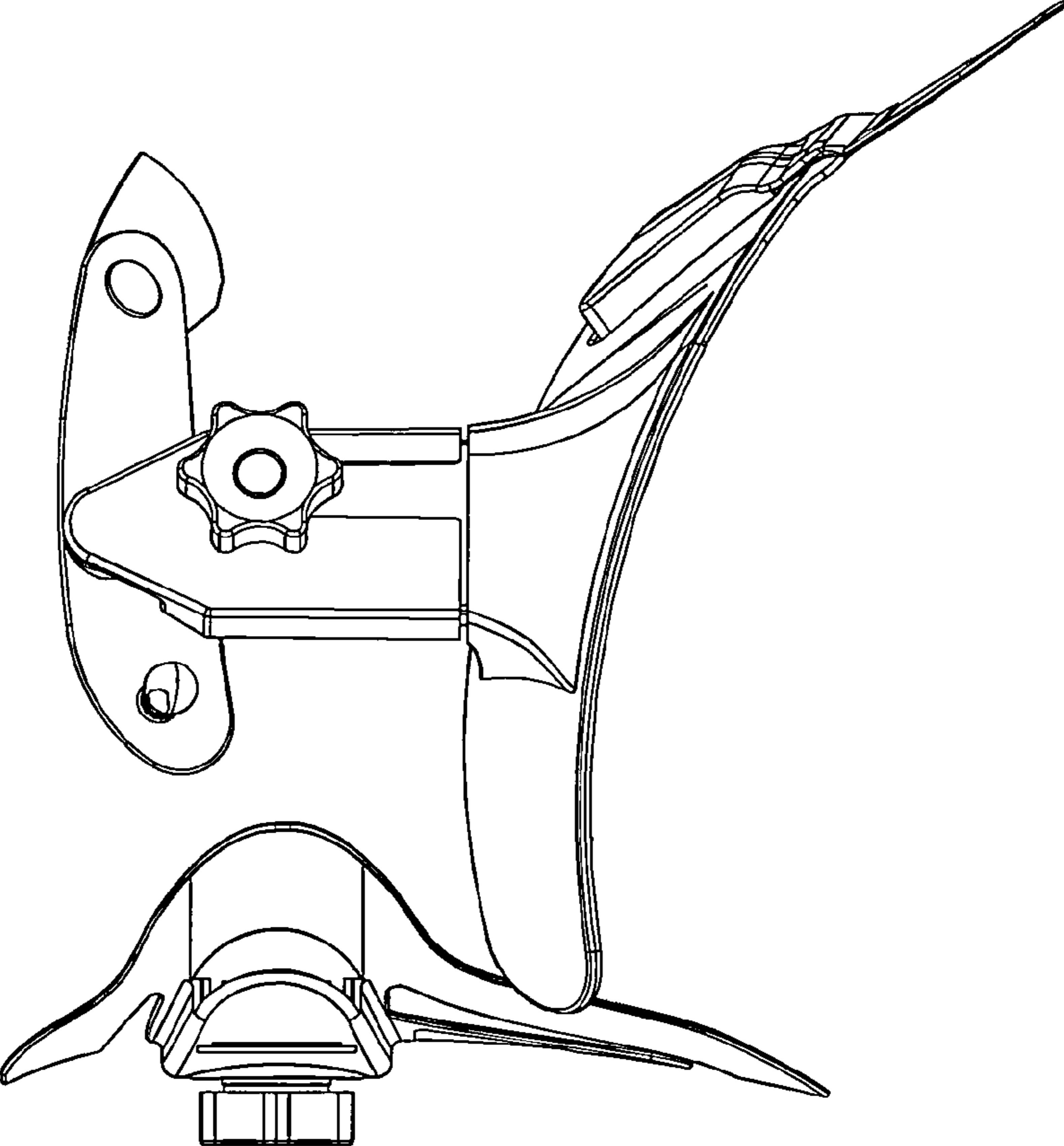


FIG.4

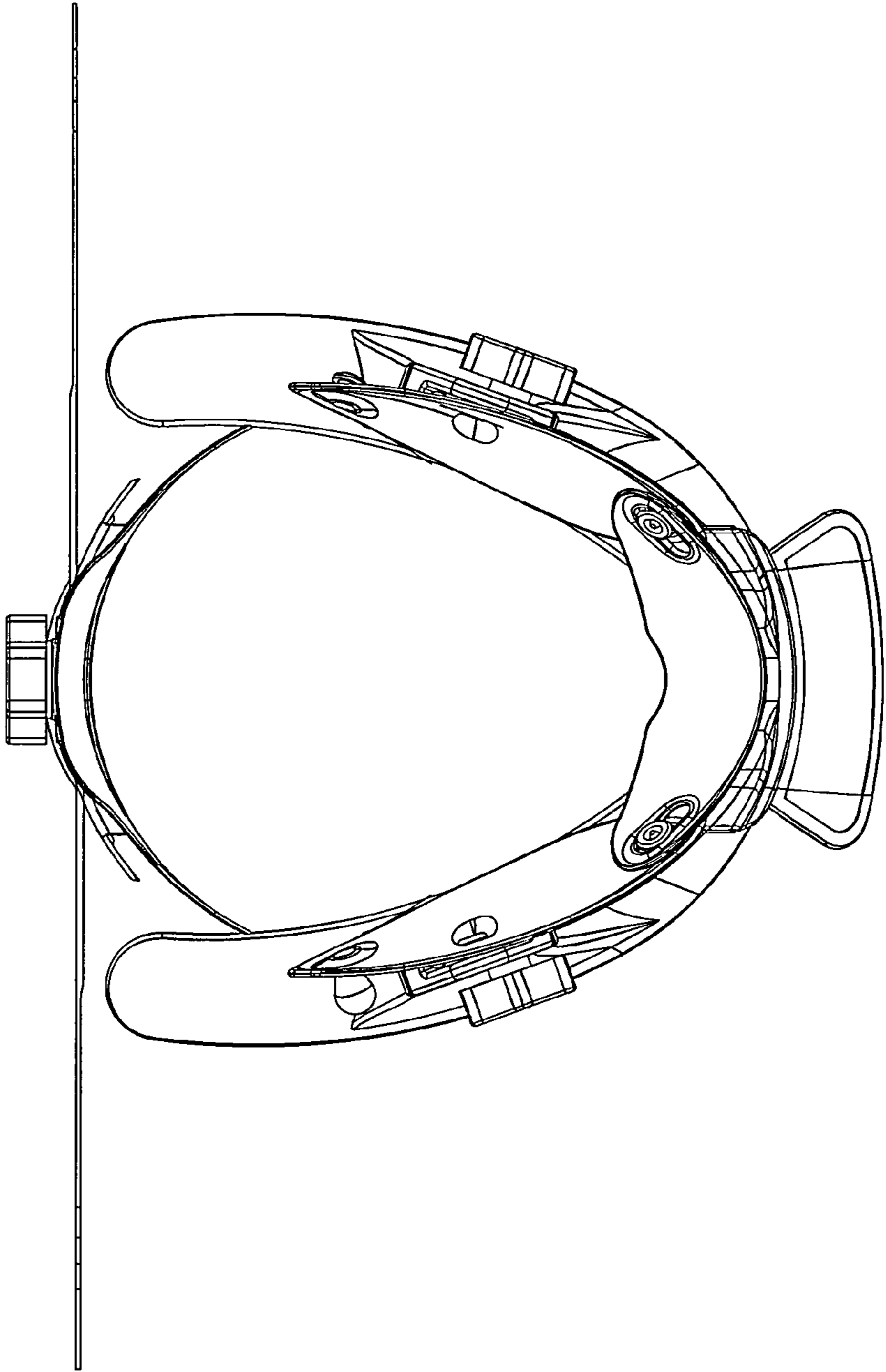


FIG.5

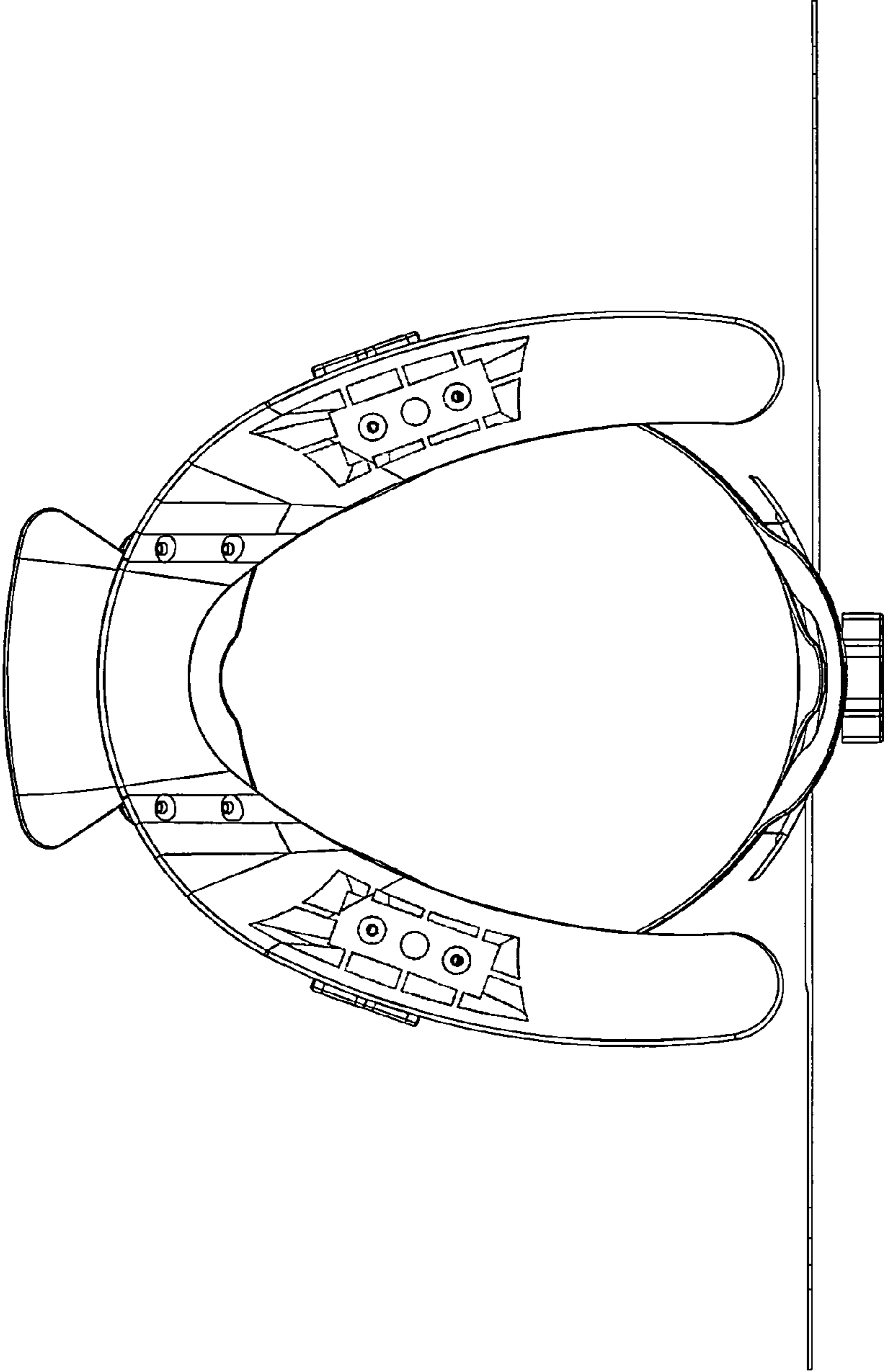


FIG.6

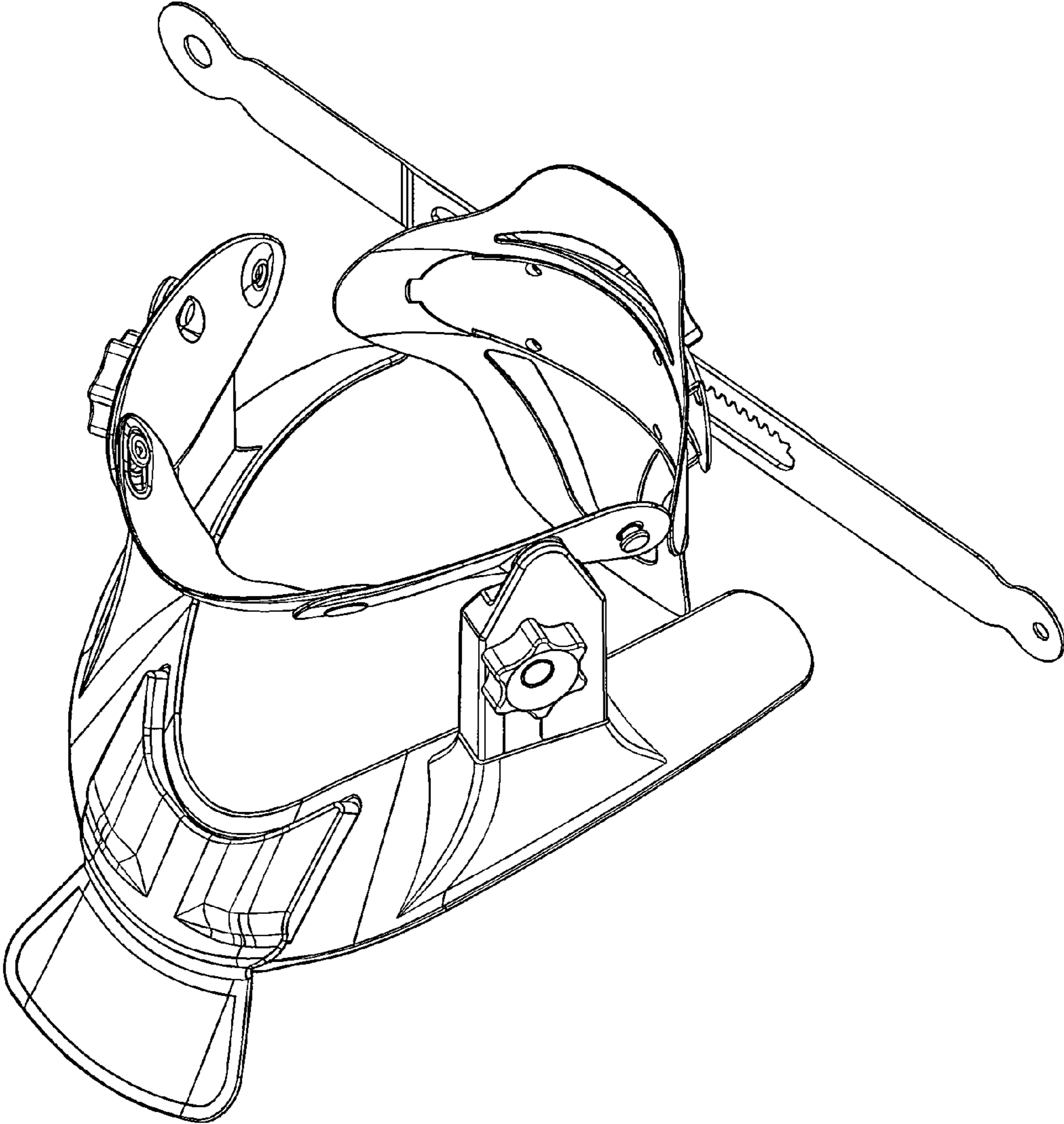


FIG.7