



US00D719263S

(12) **United States Design Patent**
Shibata et al.

(10) **Patent No.:** **US D719,263 S**

(45) **Date of Patent:** **** Dec. 9, 2014**

(54) **SPHYGMOMANOMETER**

(71) Applicants: **Fumie Shibata**, Tokyo (JP); **Yukiko Mitsunami**, Otsu (JP)

(72) Inventors: **Fumie Shibata**, Tokyo (JP); **Yukiko Mitsunami**, Otsu (JP)

(73) Assignee: **Omron Healthcare Co., Ltd.**, Kyoto (JP)

(**) Term: **14 Years**

(21) Appl. No.: **29/447,612**

(22) Filed: **Mar. 5, 2013**

(30) **Foreign Application Priority Data**

Sep. 7, 2012 (JP) 2012-021539
Sep. 7, 2012 (JP) 2012-021540
Sep. 7, 2012 (JP) 2012-021541

(51) **LOC (10) Cl.** **24-02**

(52) **U.S. Cl.**
USPC **D24/165**

(58) **Field of Classification Search**
USPC D24/165-168, 186, 107; D10/75, 98;
600/301, 481-483, 485, 490, 493-495,
600/500, 503, 509; 128/900

See application file for complete search history.

(56) **References Cited**

U.S. PATENT DOCUMENTS

D373,419	S	*	9/1996	Muramatsu et al.	D24/165
D403,070	S	*	12/1998	Maeda et al.	D24/165
D426,637	S	*	6/2000	Ochi et al.	D24/165
D535,028	S	*	1/2007	Kobayashi et al.	D24/165
D550,844	S	*	9/2007	Gutmann et al.	D24/165
D589,150	S	*	3/2009	Kato	D24/167
D641,880	S	*	7/2011	Noguchi et al.	D24/165
D665,501	S	*	8/2012	Shibata et al.	D24/165
D690,815	S	*	10/2013	Uozumi et al.	D24/165
2005/0256411	A1	*	11/2005	Yang	600/490

* cited by examiner

Primary Examiner — Anhdao Doan

(74) *Attorney, Agent, or Firm* — Capitol City TechLaw

(57) **CLAIM**

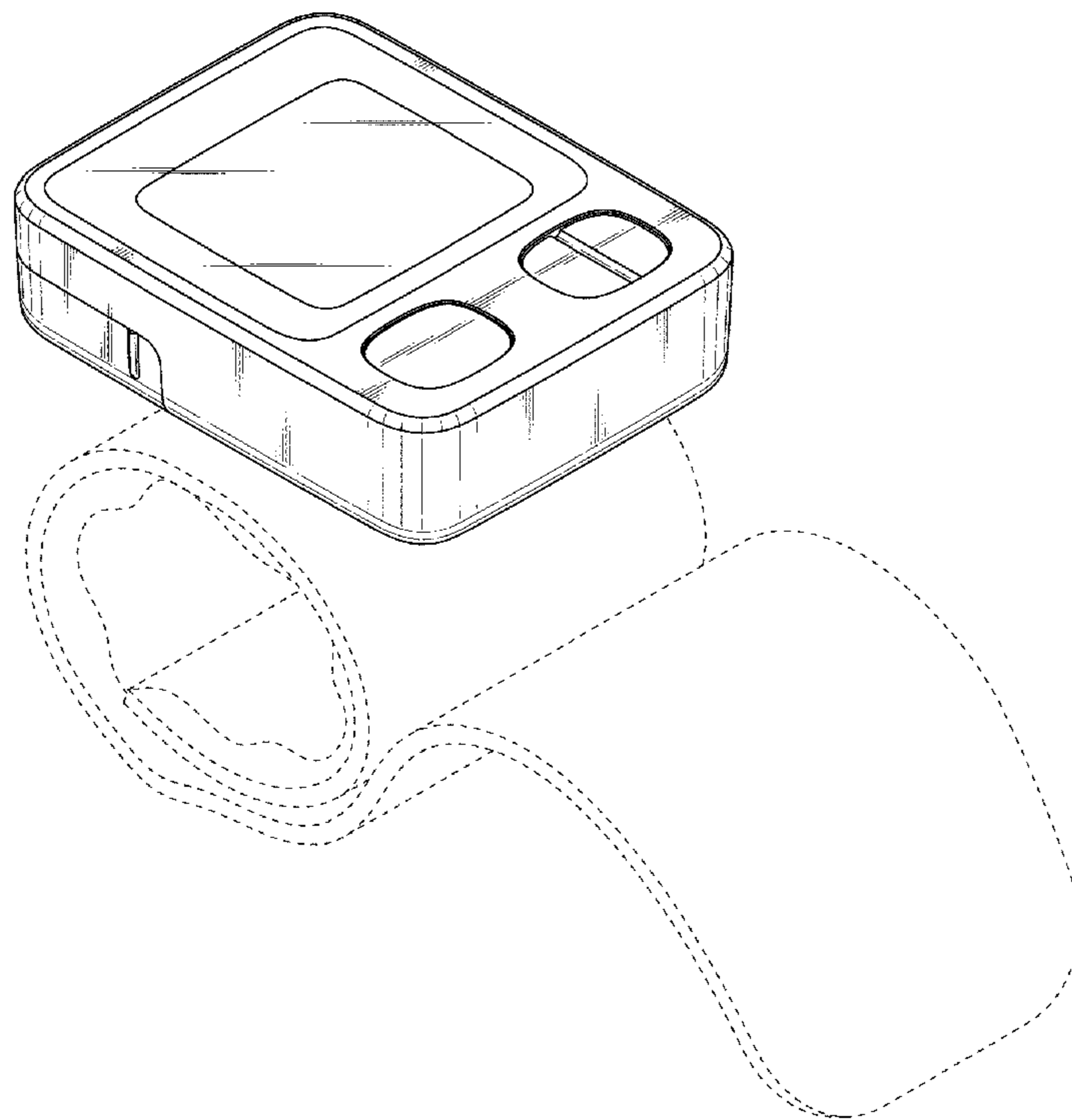
The ornamental design for a sphygmomanometer, as shown and described.

DESCRIPTION

FIG. 1 is a front, bottom, and right side perspective view of a sphygmomanometer showing our new design;
FIG. 2 is a front view thereof;
FIG. 3 is a rear view thereof;
FIG. 4 is a top view thereof;
FIG. 5 is a bottom view thereof;
FIG. 6 is a right side view thereof; and,
FIG. 7 is a left side view thereof.

The broken lines shown in the figures are included for the purpose of illustrating portions of the sphygmomanometer that form no part of the claimed design.

1 Claim, 7 Drawing Sheets



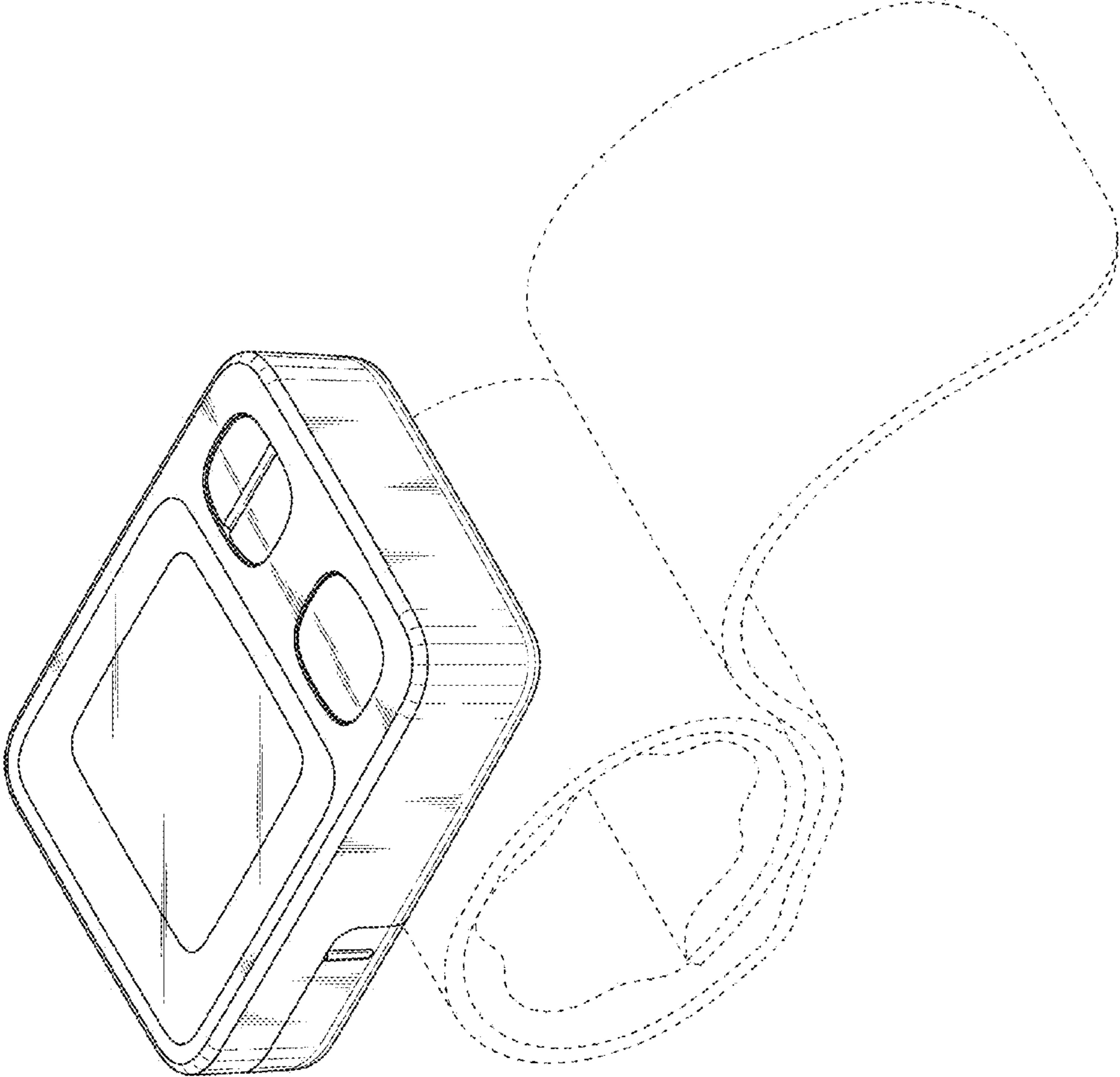


Fig. 1

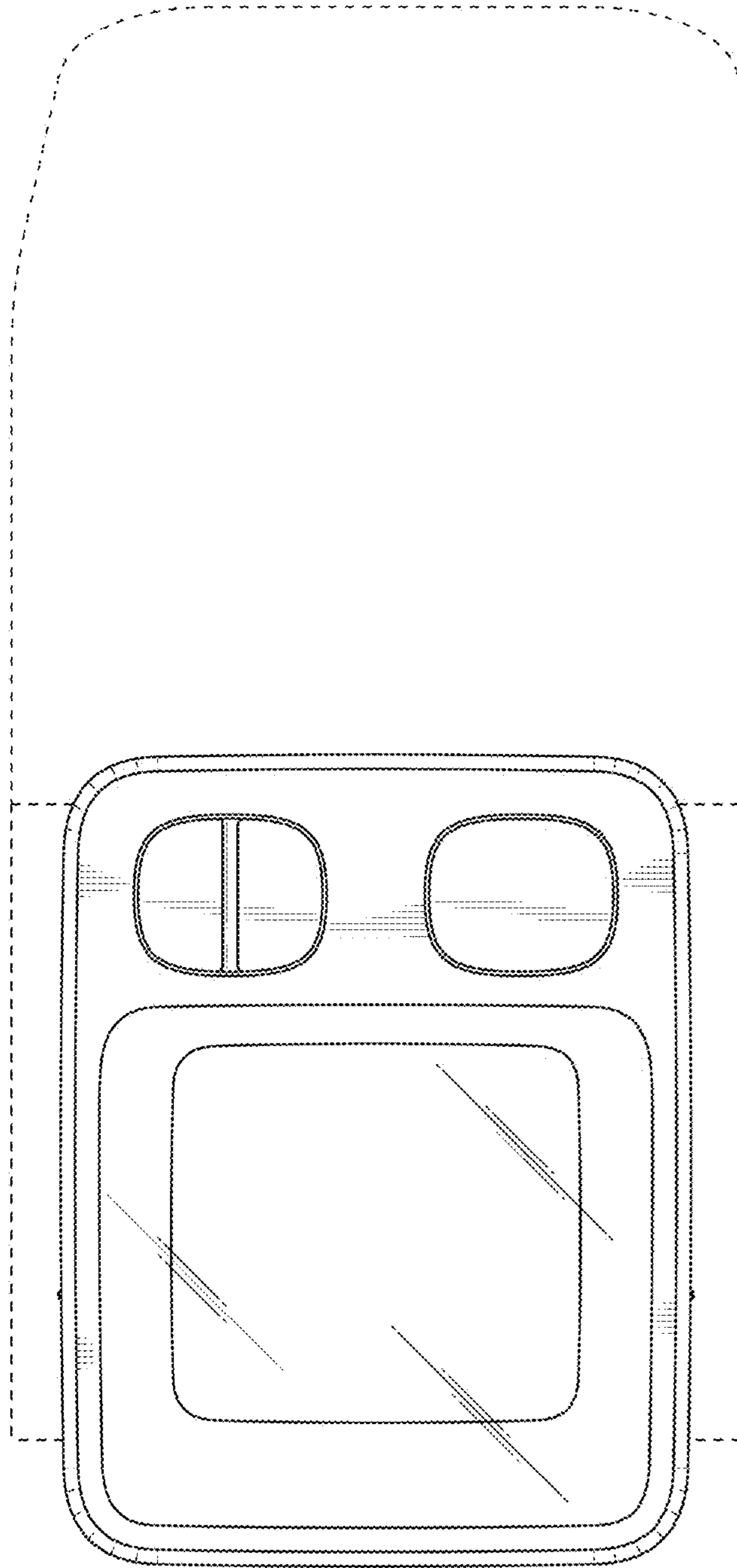


Fig. 2

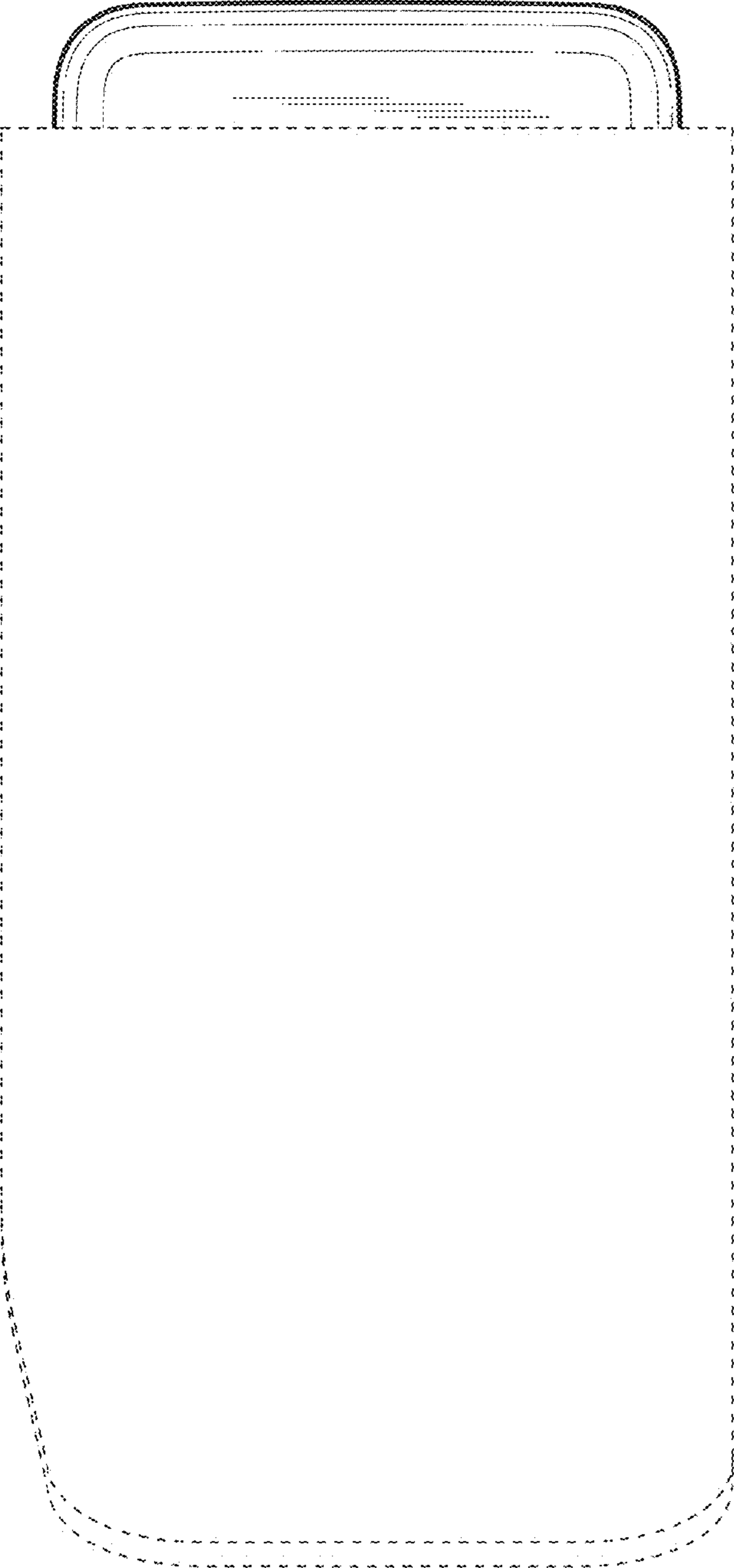


Fig. 3

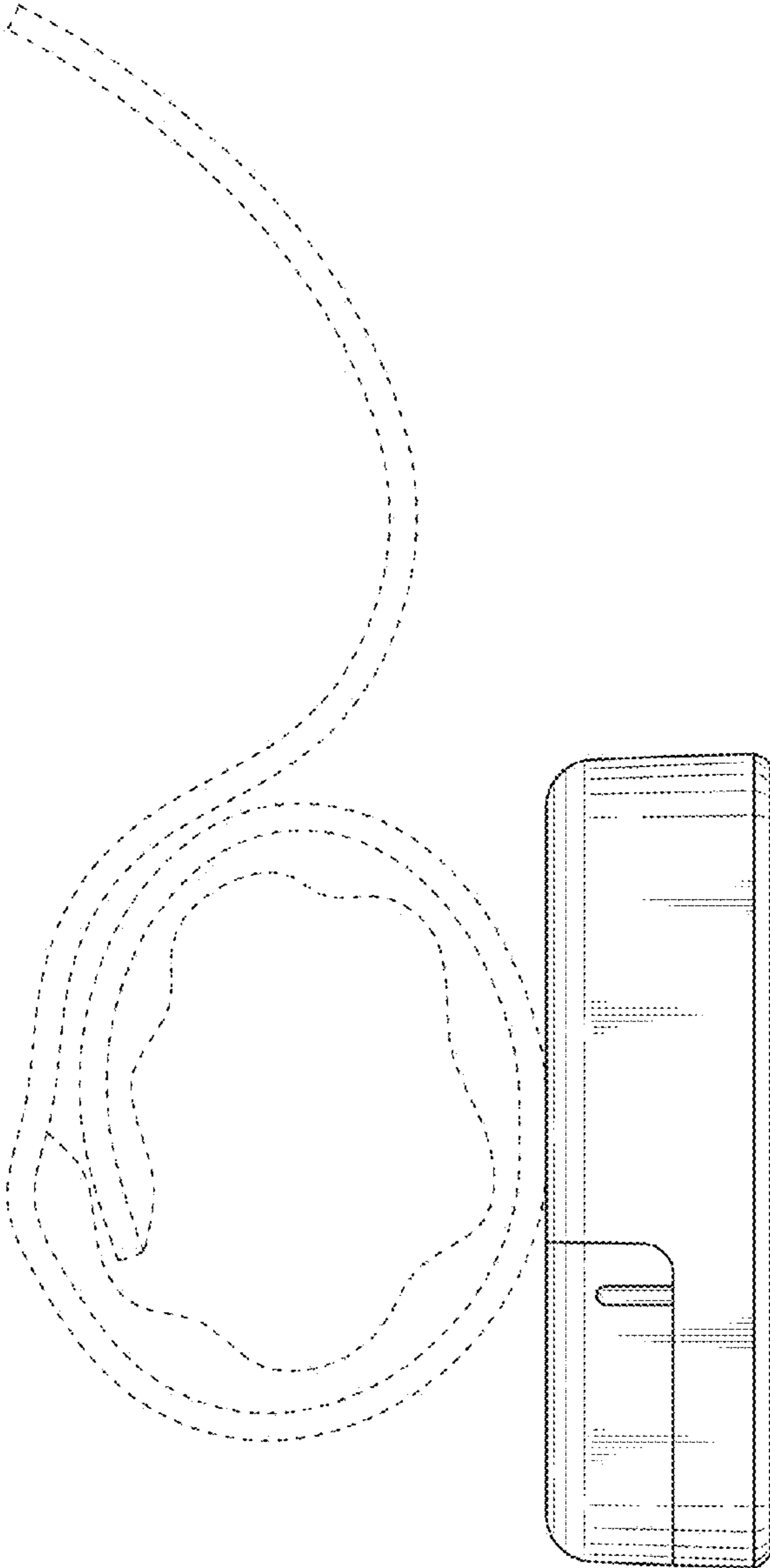


Fig. 4

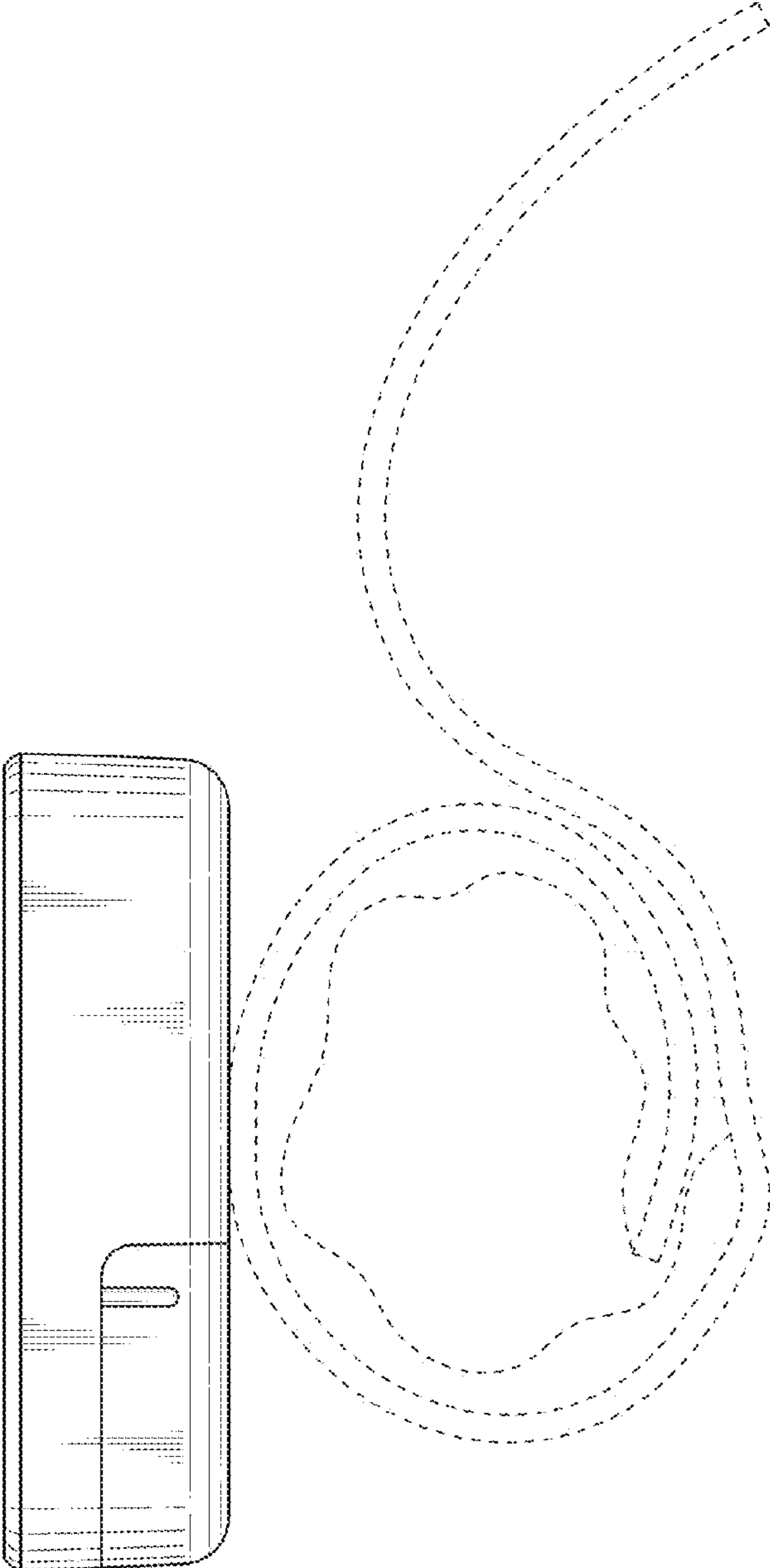


Fig. 5

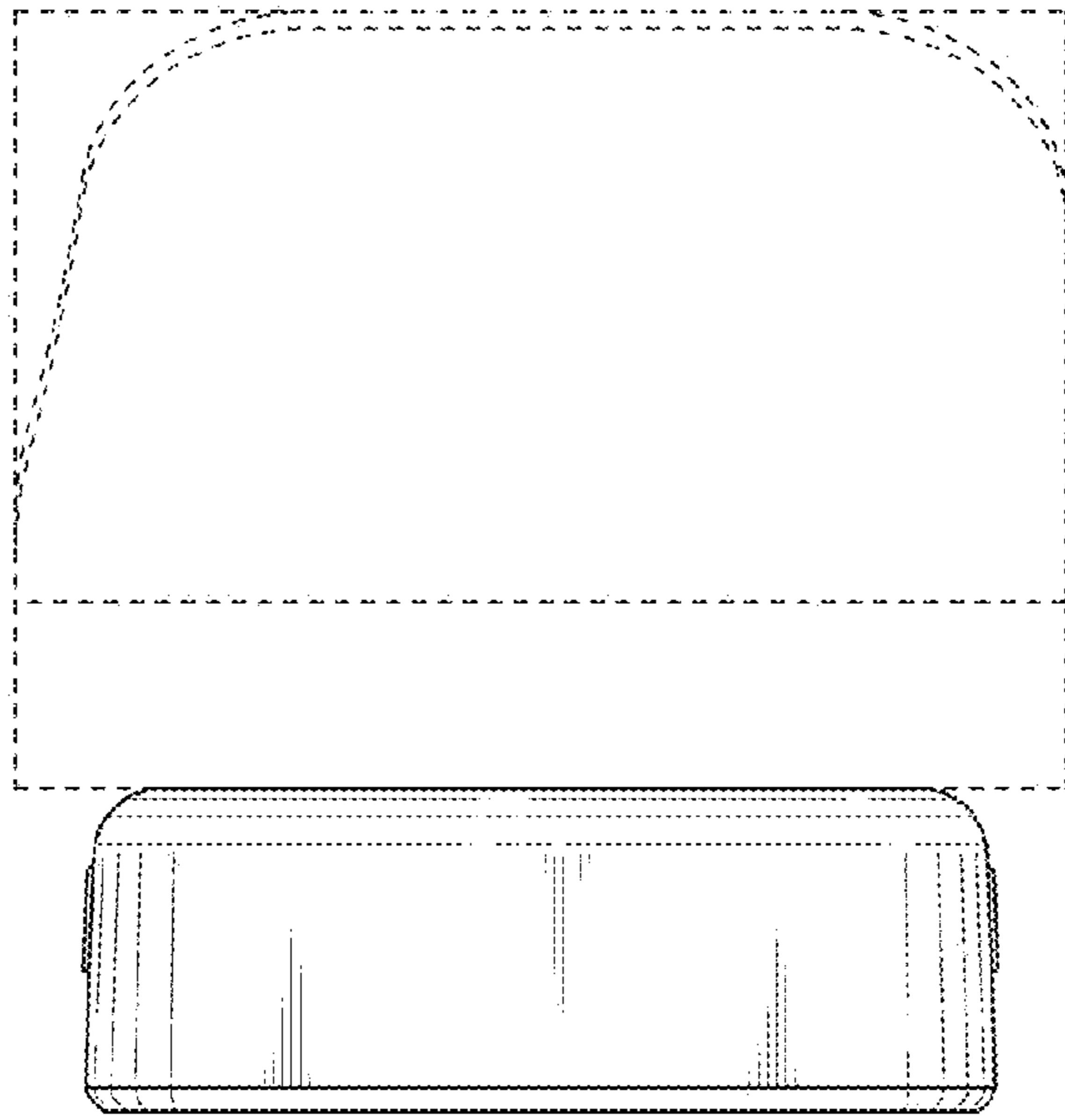


Fig. 6

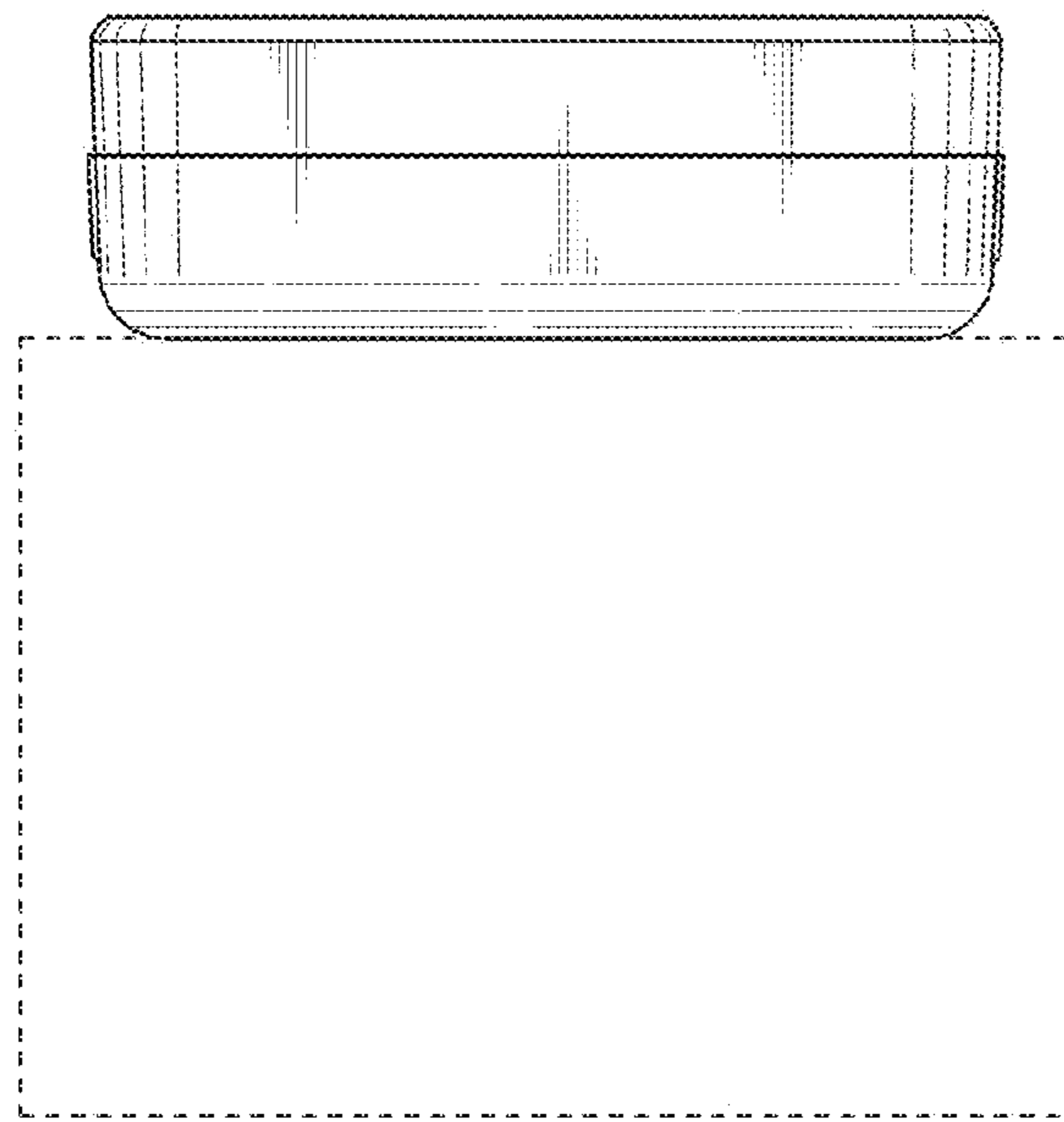


Fig. 7