



US00D719261S

(12) **United States Design Patent**
Skvaro

(10) **Patent No.:** **US D719,261 S**

(45) **Date of Patent:** **** Dec. 9, 2014**

(54) **SHOULDER PROSTHESIS**

(75) Inventor: **Martina Skvaro**, Winterthur (CH)

(73) Assignee: **Zimmer GmbH**, Winterthur (CH)

(**) Term: **14 Years**

(21) Appl. No.: **29/413,610**

(22) Filed: **Feb. 17, 2012**

(51) **LOC (10) Cl.** **24-02**

(52) **U.S. Cl.**

USPC **D24/155**

(58) **Field of Classification Search**

USPC D24/155, 156, 133, 152, 154, 135,
D24/144-146, 151; 606/99, 100, 264, 266,
606/280, 319, 329; 623/19.11, 19.13,
623/19.14, 20.11, 20.2, 23.42, 23.46-23.48

See application file for complete search history.

(56) **References Cited**

U.S. PATENT DOCUMENTS

4,035,848	A	7/1977	Wagner	
4,042,980	A *	8/1977	Swanson et al.	623/19.13
4,332,036	A	6/1982	Sutter et al.	
4,550,450	A *	11/1985	Kinnett	623/20.11
5,358,526	A *	10/1994	Tornier	623/19.14
6,146,423	A *	11/2000	Cohen et al.	623/20.2
6,783,549	B1	8/2004	Stone et al.	
7,465,319	B2 *	12/2008	Tornier	623/19.11
7,615,080	B2 *	11/2009	Ondrla	623/19.11
7,670,382	B2 *	3/2010	Parrott et al.	623/19.14
7,678,150	B2 *	3/2010	Tornier et al.	623/19.13
7,887,544	B2 *	2/2011	Tornier et al.	606/96
D643,926	S *	8/2011	Collins	D24/155
8,187,282	B2 *	5/2012	Tornier et al.	606/99
8,192,497	B2 *	6/2012	Ondrla	623/19.14
8,231,682	B2 *	7/2012	Lafosse et al.	623/19.11
8,246,687	B2 *	8/2012	Katrana et al.	623/19.13
2001/0047210	A1	11/2001	Wolf	

2003/0028253	A1 *	2/2003	Stone et al.	623/19.14
2007/0142917	A1	6/2007	Roche et al.	
2007/0162149	A1	7/2007	Kropf et al.	

(Continued)

FOREIGN PATENT DOCUMENTS

EP	0485326	A1	5/1992
EP	1467681	B1	2/2008

(Continued)

OTHER PUBLICATIONS

“U.S. Appl. No. 13/428,441, Advisory Action mailed Oct. 8, 2013”,
2 pgs.

(Continued)

Primary Examiner — Ian Simmons

Assistant Examiner — Charles Hanson

(74) *Attorney, Agent, or Firm* — Schwegman Lundberg &
Woessner, P.A.

(57) **CLAIM**

The ornamental design for a shoulder prosthesis, as shown
and described.

DESCRIPTION

FIGS. 1-6 show a shoulder prosthesis in accordance with my
new design, wherein:

FIG. 1 is a first perspective view thereof;

FIG. 2 is a second perspective view thereof;

FIG. 3 is a front/rear view thereof, it being understood that the
front and rear views are identical;

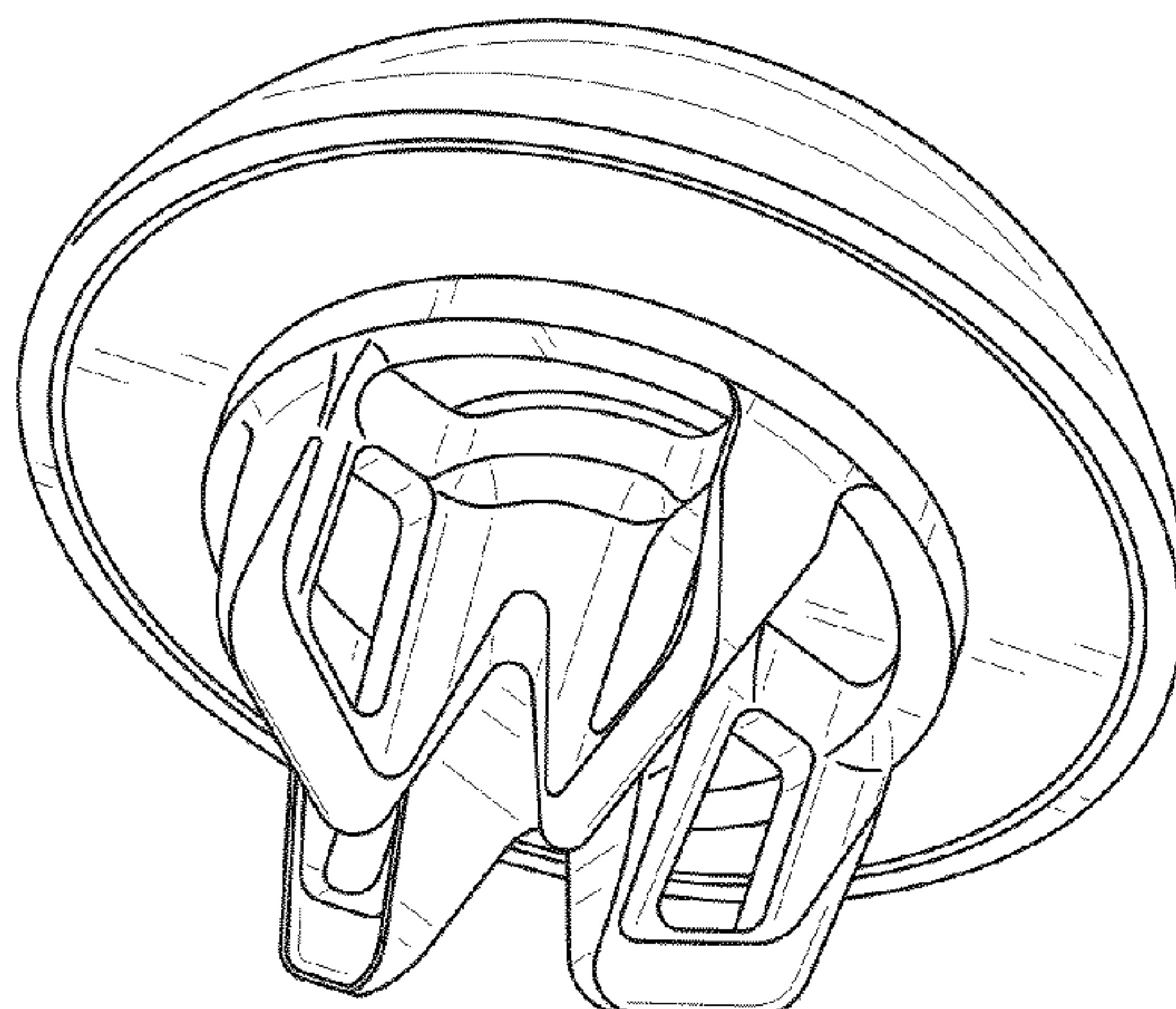
FIG. 4 is a right side/left side view thereof, it being under-
stood that the right side and left side views are identical;

FIG. 5 is a bottom view thereof; and,

FIG. 6 is a top view thereof.

The broken line showing of the center hole in FIG. 5 is
included for the purpose of illustrating environment and
forms no part of the claimed design.

1 Claim, 3 Drawing Sheets



(56)

References Cited

U.S. PATENT DOCUMENTS

2008/0221700	A1	9/2008	Howald et al.
2009/0048681	A1	2/2009	Vlachos
2010/0114326	A1	5/2010	Winslow et al.
2012/0265315	A1	10/2012	Kusogullari et al.
2012/0296435	A1	11/2012	Ambacher

FOREIGN PATENT DOCUMENTS

FR		2304324	A1	10/1976
WO		WO02/17822	A1	3/2002
WO		WO2007/054553	A1	5/2007
WO		WO-2012130524	A1	10/2012

OTHER PUBLICATIONS

“U.S. Appl. No. 13/428,441, Examiner Interview Summary mailed Jul. 23, 2013”, 3 pgs.
 “U.S. Appl. No. 13/428,441, Final Office Action mailed Jul. 25, 2013”, 10 pgs.
 “U.S. Appl. No. 13/428,441, Non Final Office Action mailed Dec. 28, 2012”, 10 pgs.
 “U.S. Appl. No. 13/428,441, Preliminary Amendment filed Mar. 23, 2012”, 5 pgs.
 “U.S. Appl. No. 13/428,441, Response filed Jun. 28, 2013 to Non Final Office Action mailed Dec. 28, 2013”, 8 pgs.
 “U.S. Appl. No. 13/428,441, Response filed Sep. 25, 2013 to Final Office Action mailed Jul. 25, 2013”, 8 pgs.
 “U.S. Appl. No. 13/428,446, Advisory Action mailed Oct. 7, 2013”, 2 pgs.
 “U.S. Appl. No. 13/428,446, Examiner Interview Summary mailed Jul. 23, 2013”, 3 pgs.

“U.S. Appl. No. 13/428,446, Final Office Action mailed Jul. 25, 2013”, 9 pgs.
 “U.S. Appl. No. 13/428,446, Non Final Office Action mailed Nov. 1, 2013”, 8 pgs.
 “U.S. Appl. No. 13/428,446, Non Final Office Action mailed Dec. 28, 2012”, 10 pgs.
 “U.S. Appl. No. 13/428,446, Preliminary Amendment filed Mar. 23, 2012”, 5 pgs.
 “U.S. Appl. No. 13/428,446, Response filed Jun. 28, 2013 to Non Final Office Action mailed Dec. 28, 2012”, 3 pgs.
 “U.S. Appl. No. 13/428,446, Response filed Sep. 25, 2013 to Final Office Action mailed Jul. 25, 2013”, 7 pgs.
 “U.S. Appl. No. 29/413,611, Restriction Requirement mailed Oct. 4, 2013”, 7 pgs.
 “European Application Serial No. 12155644.3, European Search Report mailed May 2, 2012”, 4 pgs.
 “European Application Serial No. 12155645.0, European Search Report mailed May 2, 2012”, 4 pgs.
 “U.S. Appl. No. 13/428,441, Non Final Office Action mailed Nov. 5, 2013”, 8 pgs.
 “U.S. Appl. No. 13/428,441, Response filed Feb. 5, 2014 to Non-Final Office Action dated Nov. 5, 2013”, 8 pgs.
 “U.S. Appl. No. 13/428,446, Response filed Feb. 6, 2014 to Non Final Office Action mailed Nov. 1, 2013”, 8 pgs.
 “U.S. Appl. No. 14/006,376, Non Final Office Action mailed Mar. 3, 2014”, 10 pgs.
 “U.S. Appl. No. 29/413,611, Response filed Nov. 4, 2013 to Restriction Requirement mailed Oct. 4, 2013”, 8 pgs.
 “U.S. Appl. No. 29/413,611, Non Final Office Action mailed Dec. 19, 2013”, 7 pgs.
 “International Application Serial No. PCT/EP2012/052627, International Preliminary Report on Patentability mailed Mar. 8, 2013”, 11 pgs.

* cited by examiner

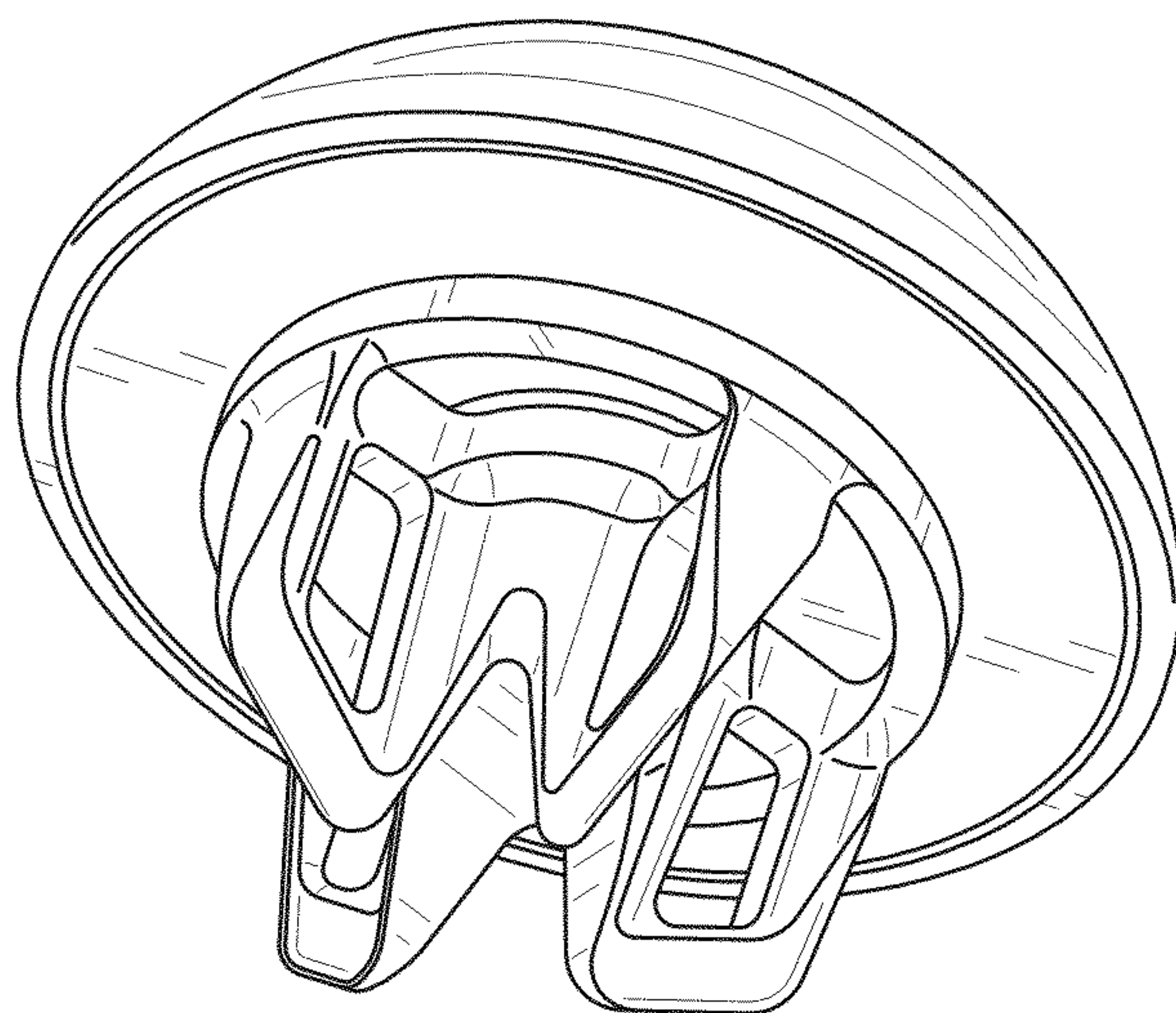


FIG. 1

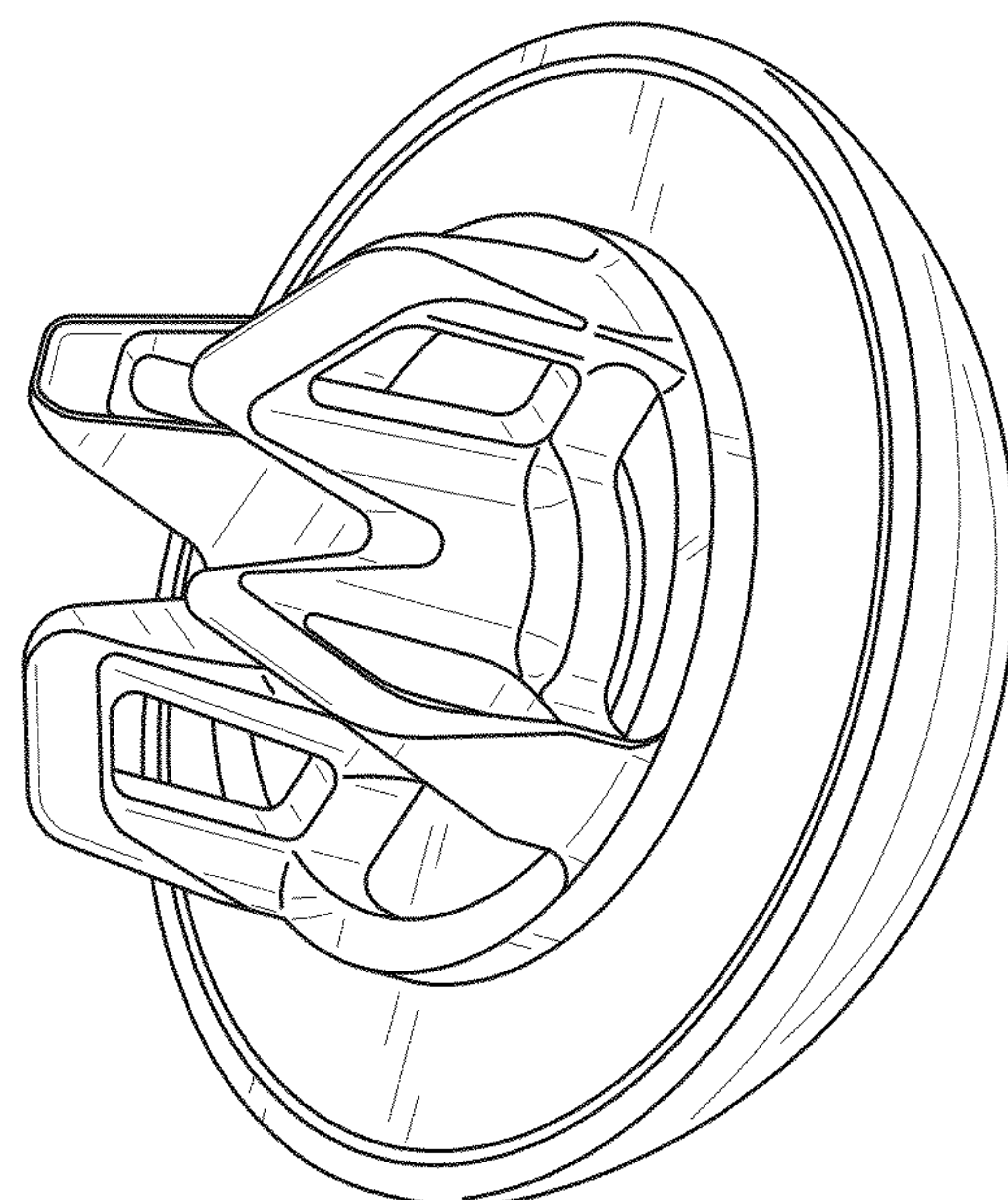


FIG. 2

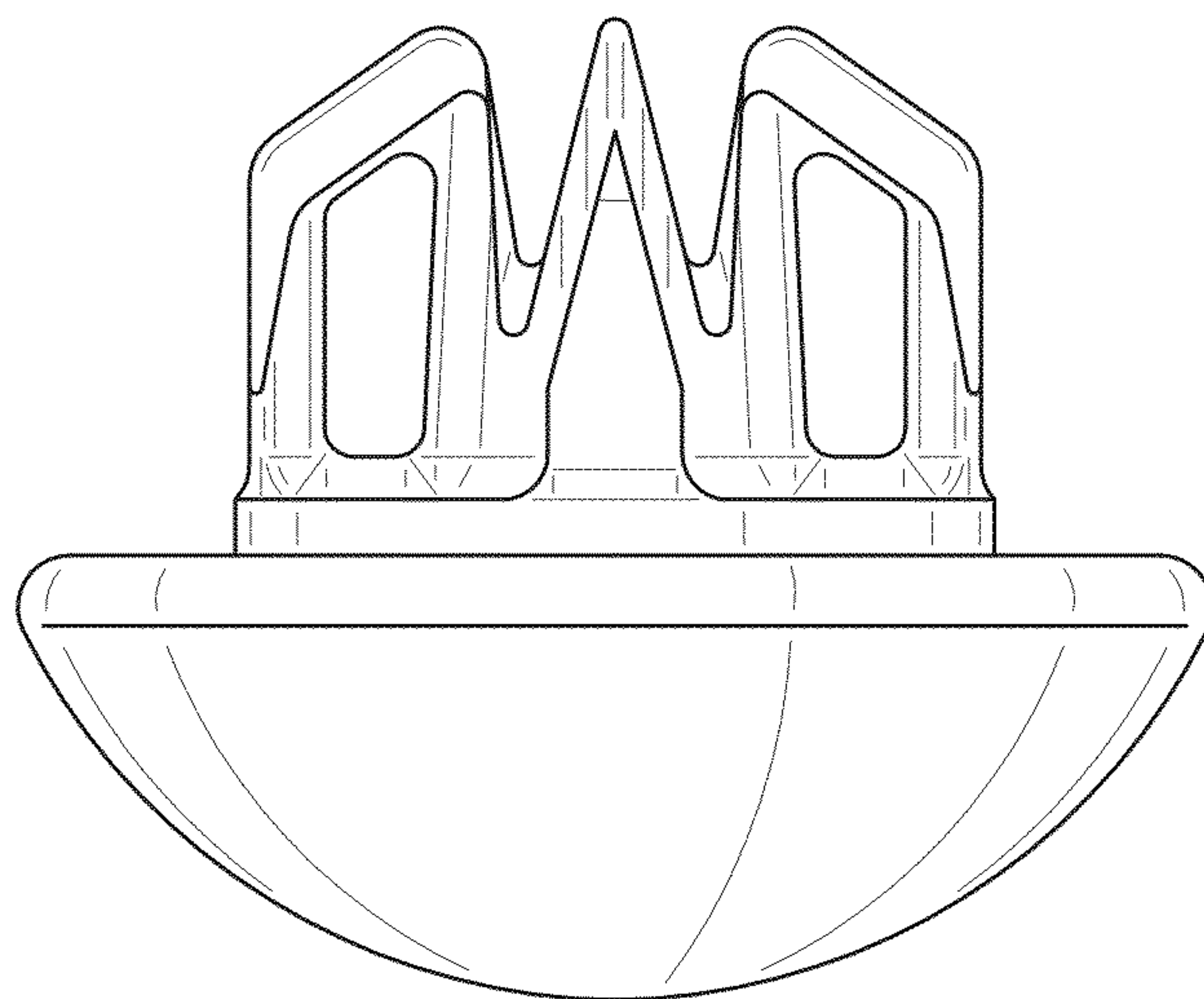


FIG. 3

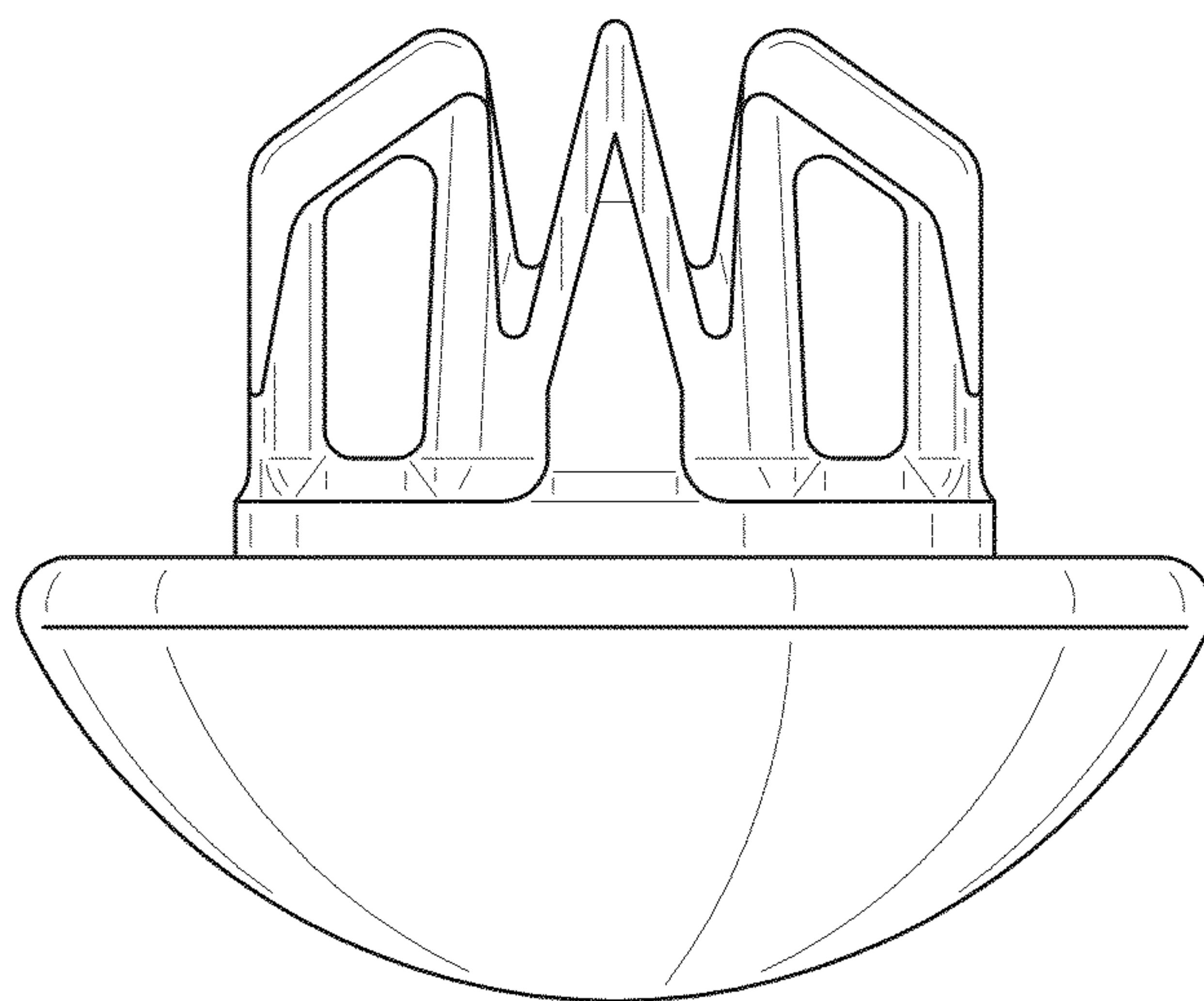


FIG. 4

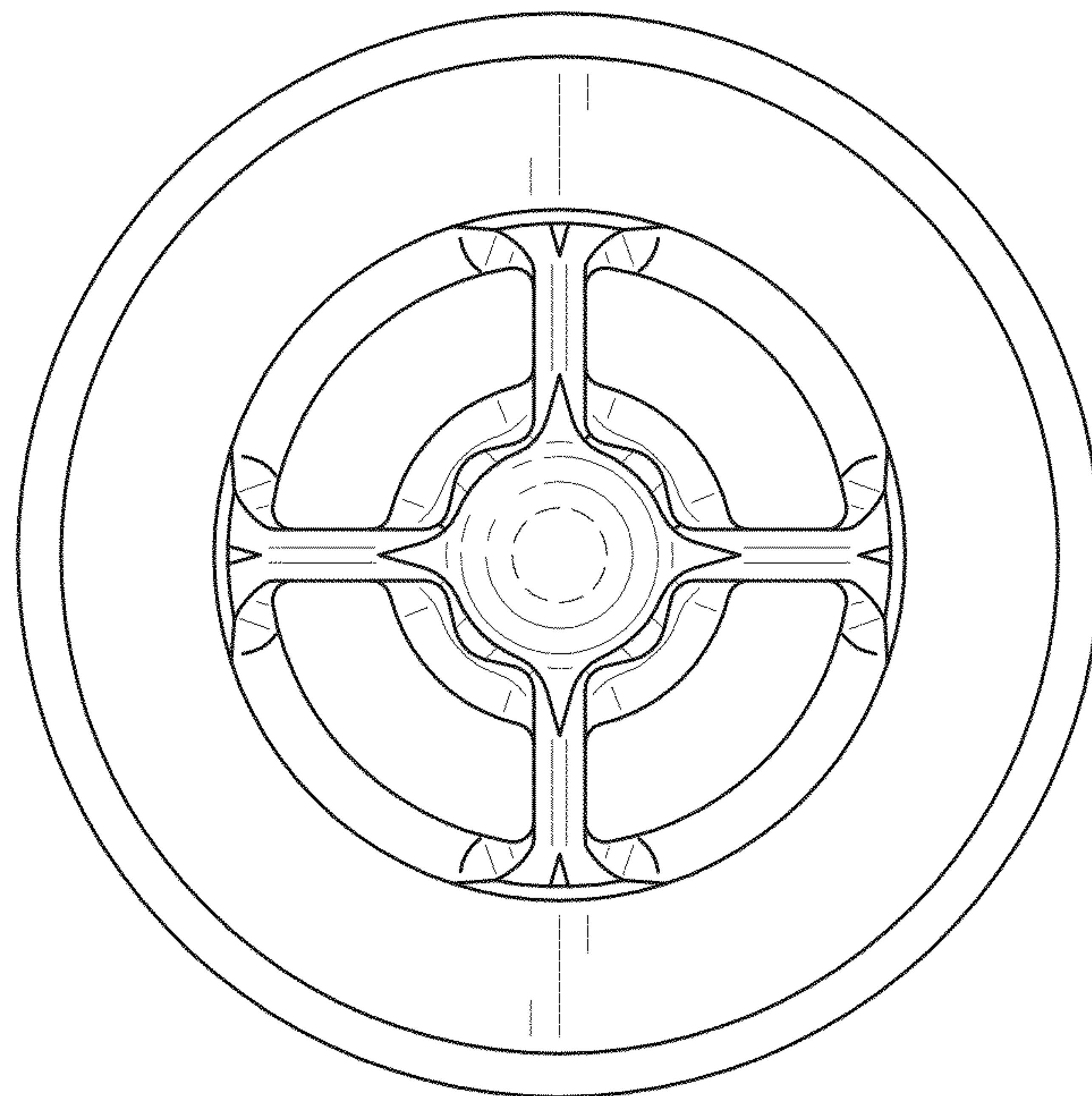


FIG. 5

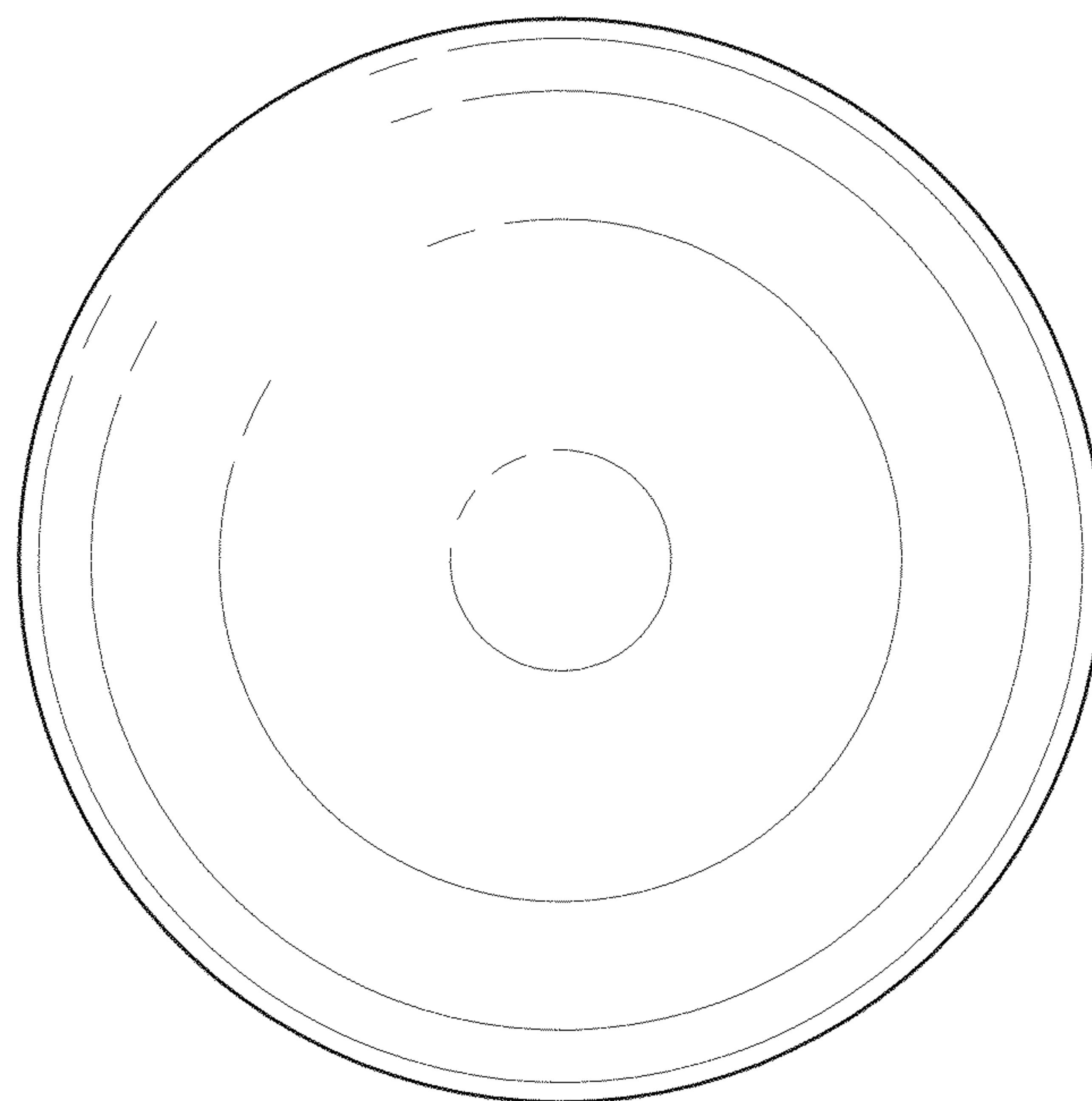


FIG. 6