

US00D719259S

(12) **United States Design Patent**
Shimobayashi

(10) **Patent No.:** **US D719,259 S**
(45) **Date of Patent:** **** Dec. 9, 2014**

(54) **ULTRASONIC OBSERVATION DEVICE FOR AN ENDOSCOPE**

(71) Applicant: **Olympus Medical Systems Corp.**,
Tokyo (JP)

(72) Inventor: **Koji Shimobayashi**, Hachioji (JP)

(73) Assignee: **Olympus Medical Systems Corp.**,
Tokyo (JP)

(**) Term: **14 Years**

(21) Appl. No.: **29/447,595**

(22) Filed: **Mar. 5, 2013**

(30) **Foreign Application Priority Data**

Sep. 5, 2012 (JP) 2012-021349

(51) **LOC (10) Cl.** **24-02**

(52) **U.S. Cl.**
USPC **D24/138**

(58) **Field of Classification Search**
CPC .. A61B 1/00; A61B 1/00064; A61B 1/00066;
A61B 1/0669
USPC D24/138, 137, 107, 186; 600/101-183
See application file for complete search history.

(56) **References Cited**

U.S. PATENT DOCUMENTS

D275,226	S *	8/1984	Nishigaki	D24/138
D288,435	S *	2/1987	Tanner	D13/101
5,101,807	A *	4/1992	Kawashima	600/112
6,099,465	A *	8/2000	Inoue	600/134
6,464,633	B1 *	10/2002	Hosoda et al.	600/178
D481,123	S *	10/2003	Hayamizu	D24/138
D534,654	S *	1/2007	Hayamizu	D24/138
D535,745	S *	1/2007	Hayamizu	D24/138
7,440,005	B2 *	10/2008	Enomoto	348/72

7,678,044	B2 *	3/2010	Fujikura	600/115
D626,224	S *	10/2010	Amano et al.	D24/138
D640,376	S *	6/2011	Amano et al.	D24/138
D640,377	S *	6/2011	Amano et al.	D24/138
D643,117	S *	8/2011	Onuma	D24/138
8,537,209	B2 *	9/2013	Iwasaki et al.	348/65
2002/0045801	A1 *	4/2002	Niida et al.	600/118
2003/0004397	A1 *	1/2003	Kameya et al.	600/101
2004/0064019	A1 *	4/2004	Chang et al.	600/180
2005/0234293	A1 *	10/2005	Yamamoto et al.	600/102
2007/0088193	A1 *	4/2007	Omori et al.	600/101
2009/0209811	A1 *	8/2009	Higuchi	600/109
2010/0048996	A1 *	2/2010	Makiyama	600/114
2010/0076259	A1 *	3/2010	Asada et al.	600/102
2011/0077463	A1 *	3/2011	Hirota	600/114
2011/0224487	A1 *	9/2011	Ogawa	600/109
2012/0190922	A1 *	7/2012	Kaku	600/109

* cited by examiner

Primary Examiner — Bridget L Eland

(74) *Attorney, Agent, or Firm* — Scully, Scott, Murphy & Presser, P.C.

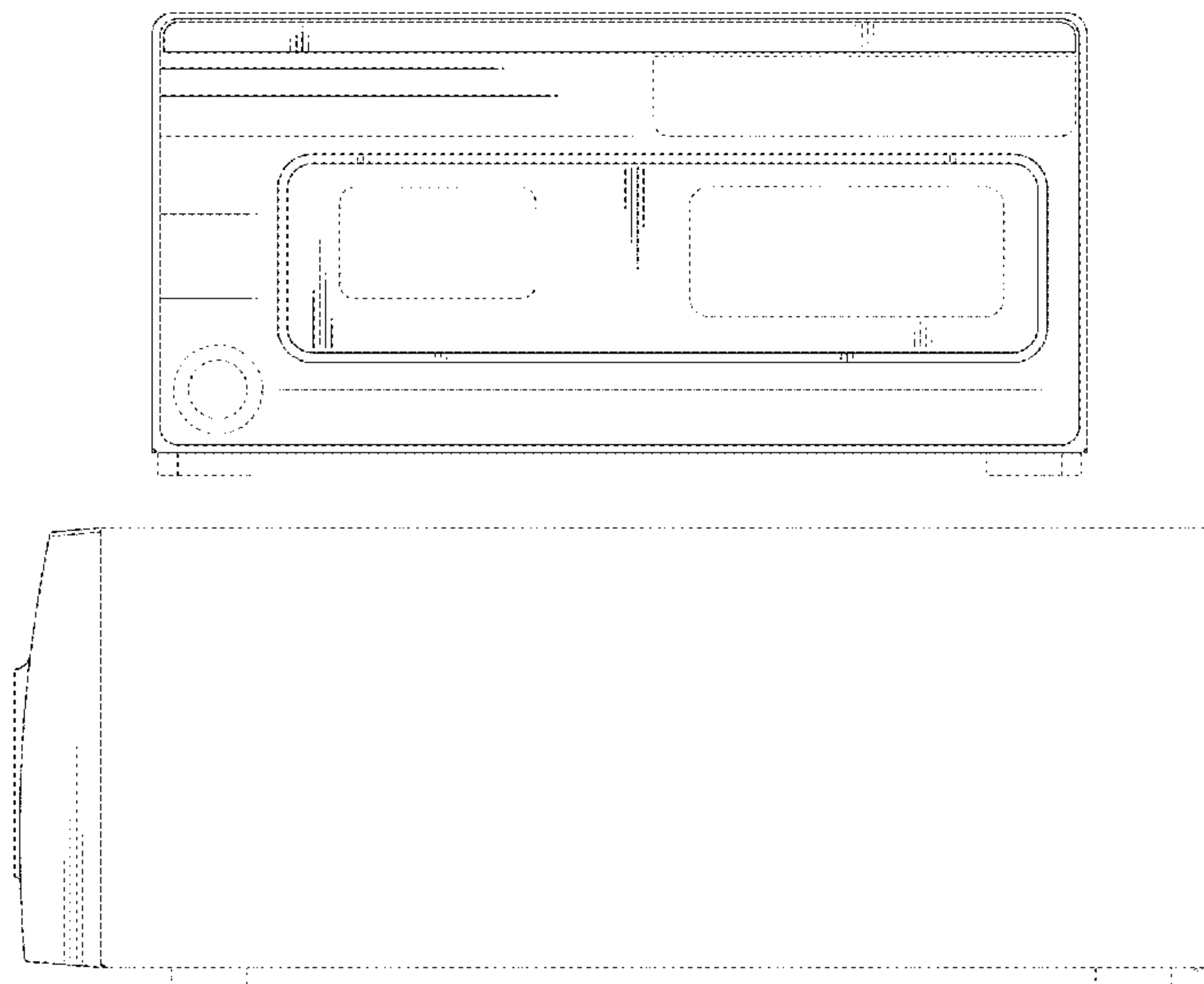
(57) **CLAIM**

The ornamental design for an ultrasonic observation device for an endoscope, as shown and described.

DESCRIPTION

FIG. 1 is a front perspective view of an ultrasonic observation device for an endoscope, showing my new design;
FIG. 2 is a front elevational view thereof;
FIG. 3 is a rear elevational view thereof;
FIG. 4 is a right side elevational view thereof; the opposite side being a mirror image thereof;
FIG. 5 is a top plan view thereof; and,
FIG. 6 is a bottom plan view thereof.
The broken lines in the drawings are included for the purpose of illustrating portions of the ultrasonic observation device for an endoscope that form no part of the claimed design.

1 Claim, 4 Drawing Sheets



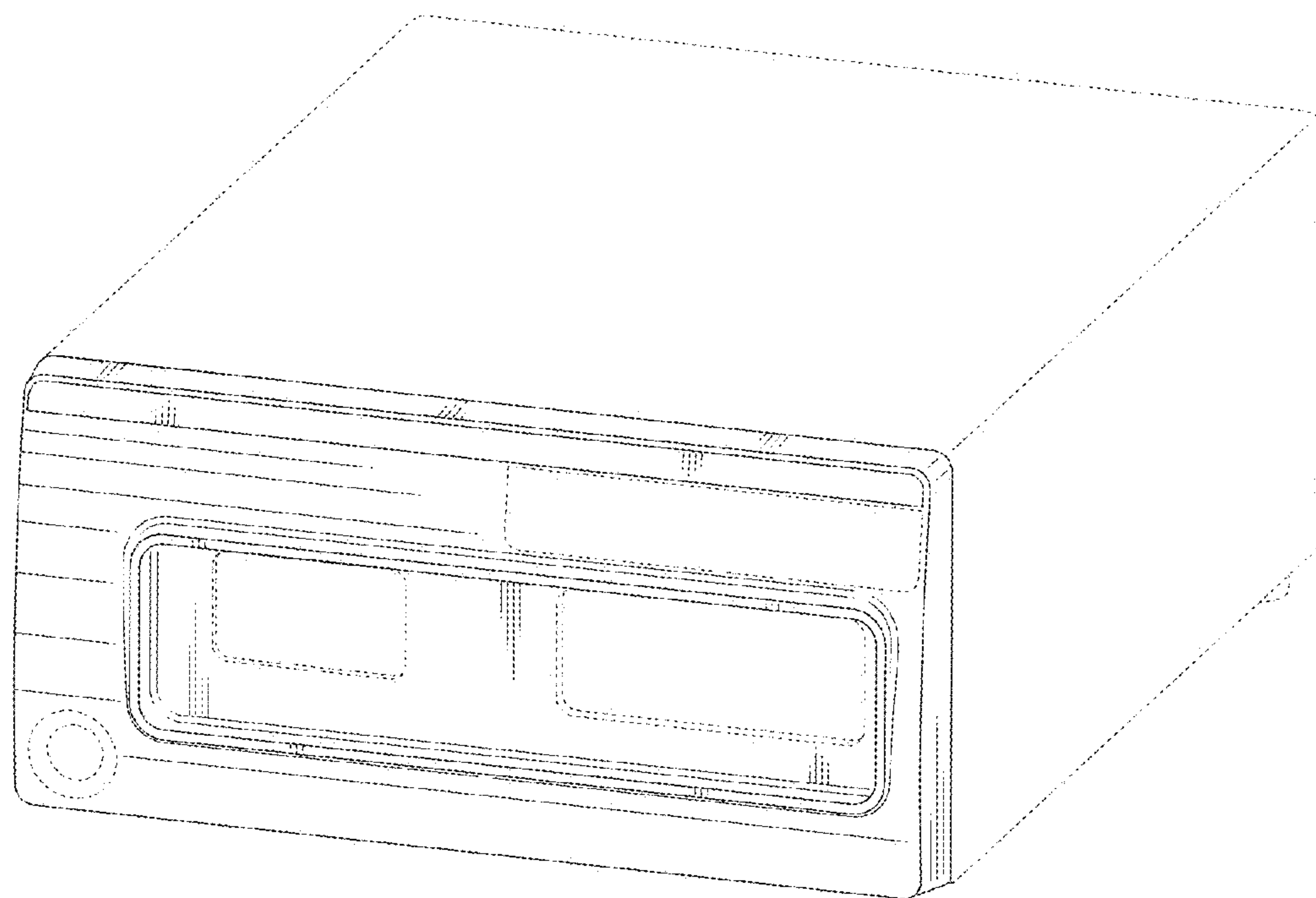


FIG. 1

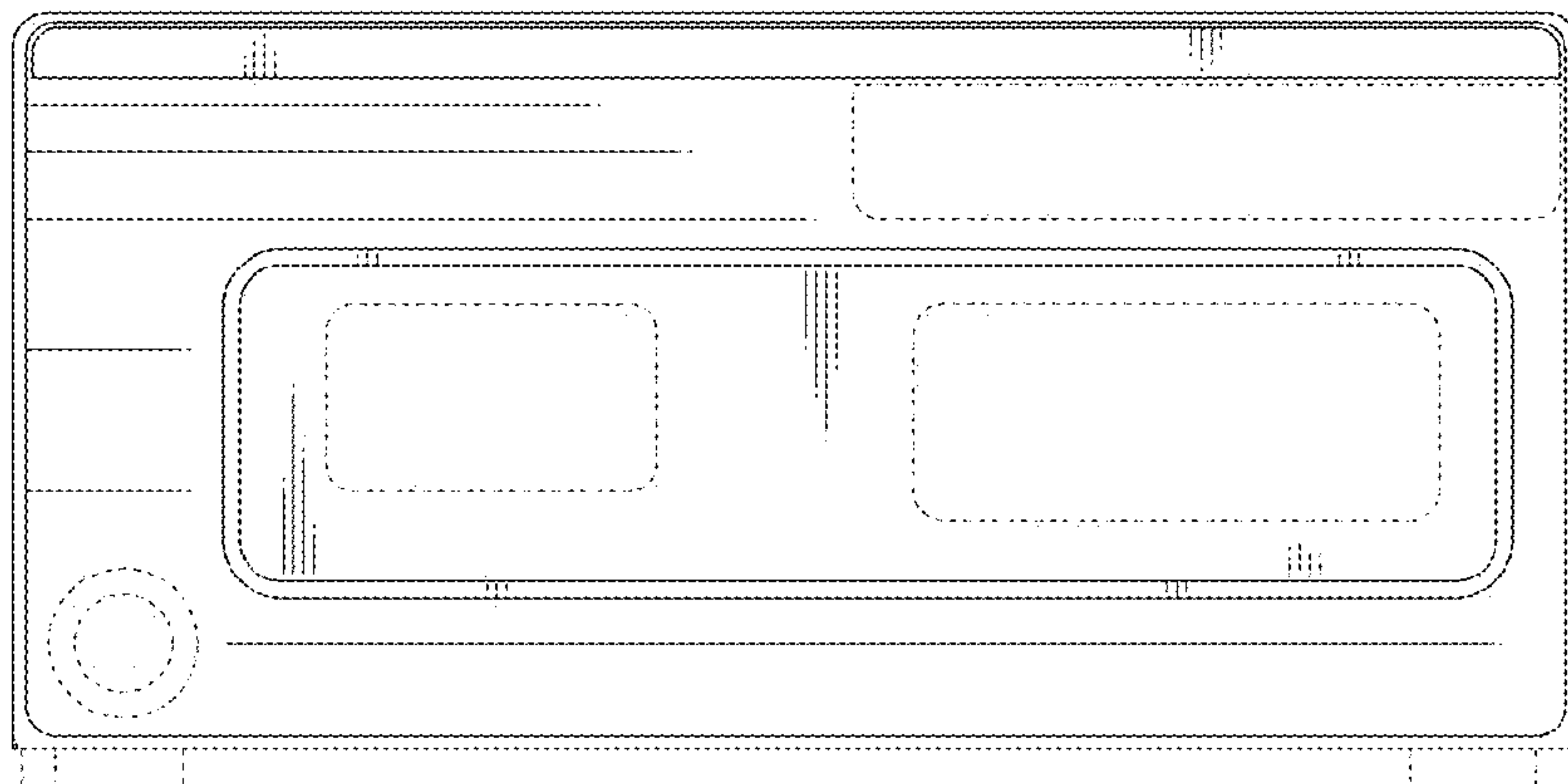


FIG. 2



FIG. 3



FIG. 4



FIG. 5

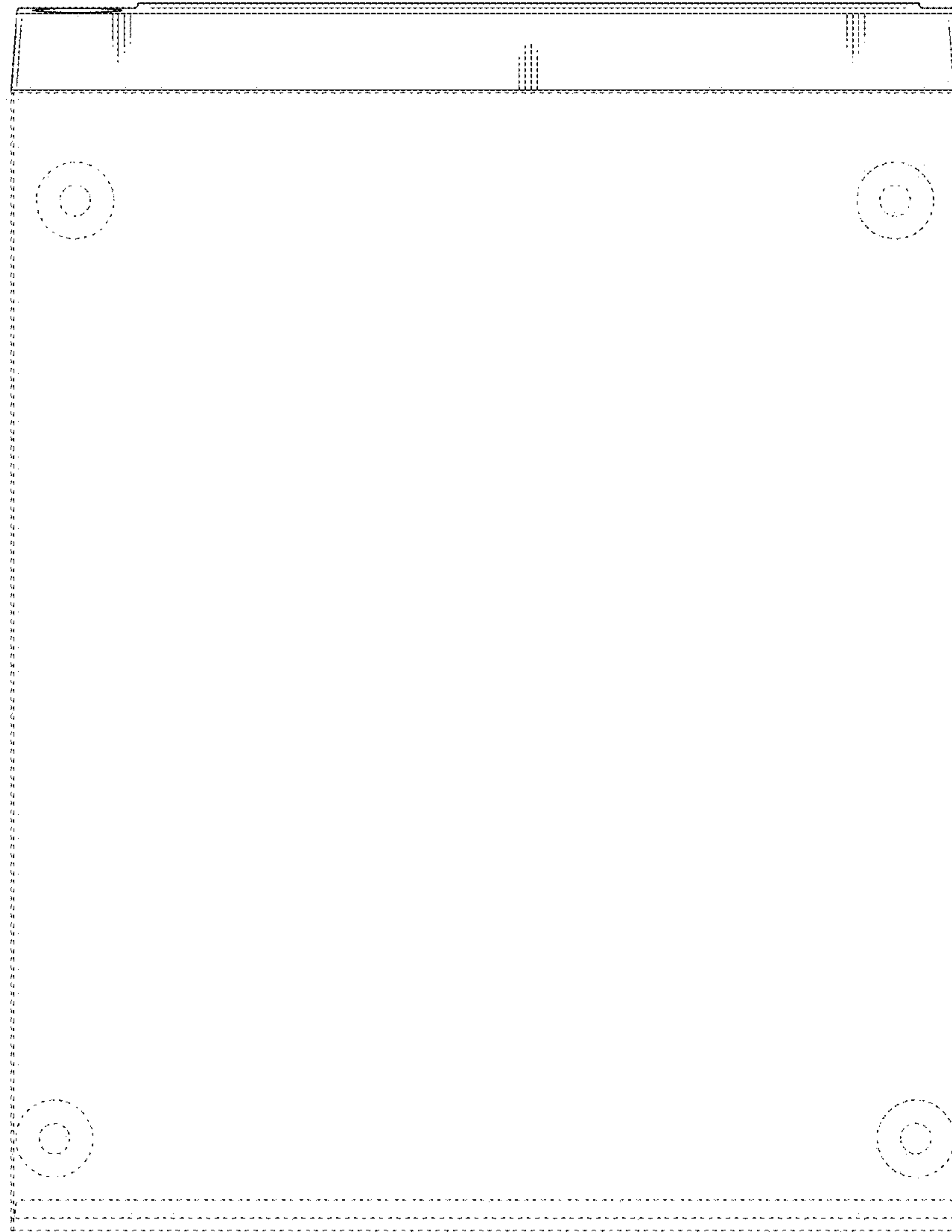


FIG. 6