



US00D719258S

(12) **United States Design Patent**
Li

(10) **Patent No.:** **US D719,258 S**
(45) **Date of Patent:** **** Dec. 9, 2014**

(54) **TUBING CONNECTOR FOR BREAST PUMPS**

(75) Inventor: **Liang-chi Li**, Kaohsiung (TW)

(73) Assignee: **Maymom LLC**, Durham, NC (US)

(**) Term: **14 Years**

(21) Appl. No.: **29/418,656**

(22) Filed: **Apr. 19, 2012**

(51) **LOC (10) Cl.** **24-01**

(52) **U.S. Cl.**

USPC **D24/129**

(58) **Field of Classification Search**

USPC D23/233; D24/129, 112, 10, 127, 130,
D24/138, 133; 604/905, 246, 167.02, 533,
604/538, 539; 285/239

See application file for complete search history.

(56) **References Cited**

U.S. PATENT DOCUMENTS

48,709	A *	7/1865	Emory	285/251
1,996,855	A *	4/1935	Cheswright	285/239
D237,631	S *	11/1975	Katzman et al.	D24/129
D259,278	S *	5/1981	McCaw et al.	D24/129
D282,962	S *	3/1986	Gerber	D23/262
5,191,888	A *	3/1993	Palmer et al.	600/434

5,569,222	A *	10/1996	Haselhorst et al.	604/533
5,776,117	A *	7/1998	Haselhorst et al.	604/533
D485,616	S *	1/2004	Baillargeon et al.	D24/129
D503,799	S *	4/2005	Beck	D24/129
D503,978	S *	4/2005	Beck	D24/129
D598,093	S *	8/2009	Kawamura	D24/130
7,811,278	B2 *	10/2010	Knipple et al.	604/535
D632,791	S *	2/2011	Murner	D24/155
2005/0085794	A1 *	4/2005	Denoth et al.	604/533
2005/0253389	A1 *	11/2005	Schulte	285/417
2007/0272314	A1 *	11/2007	Packham	137/614.03
2011/0082431	A1 *	4/2011	Burgess et al.	604/240

* cited by examiner

Primary Examiner — Deanna L Pratt

Assistant Examiner — Ieisha Price

(57) **CLAIM**

The ornamental design for a tubing connector for breast pumps, as shown.

DESCRIPTION

FIG. 1 is a perspective view of a tubing connector for breast pumps showing my new design;
FIG. 2 is an elevational top view thereof;
FIG. 3 is an elevational front view thereof, the elevational rear view is the mirror image of FIG. 3;
FIG. 4 is an end view from the left thereof;
FIG. 5 is an end view from the right thereof; and,
FIG. 6 is an elevational bottom view thereof.

1 Claim, 2 Drawing Sheets

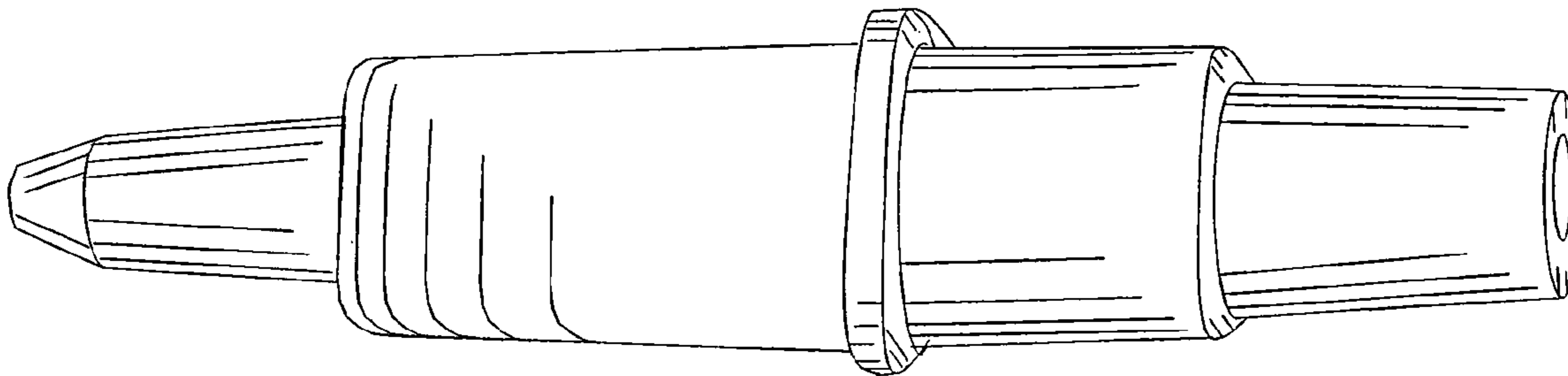


FIG. 1

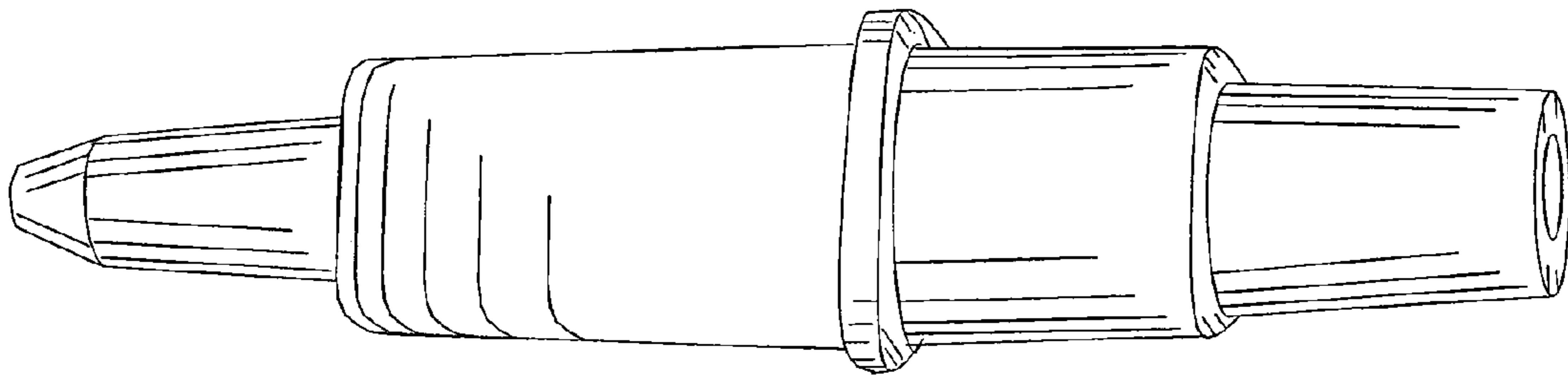


FIG. 2

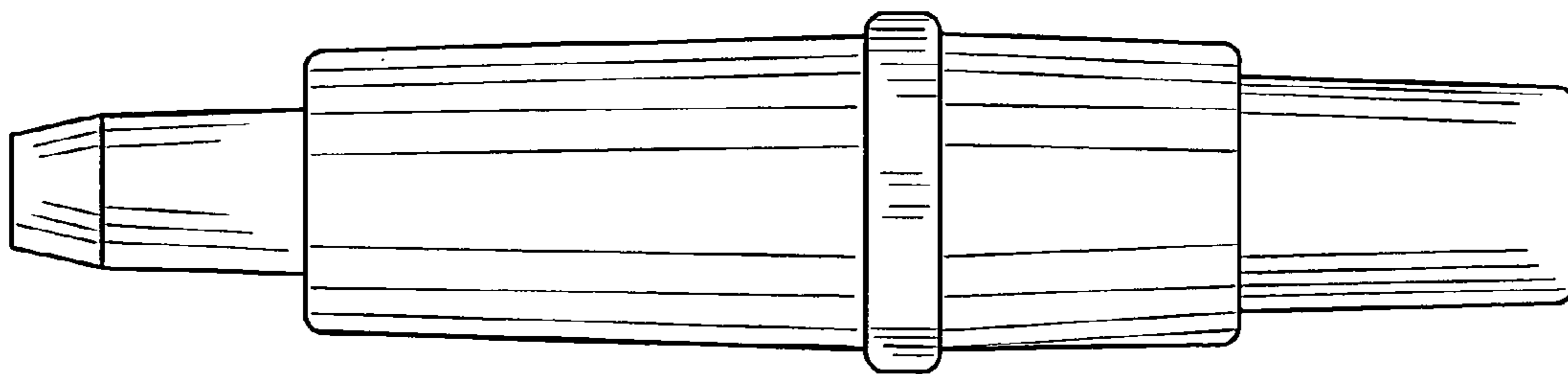


FIG. 3

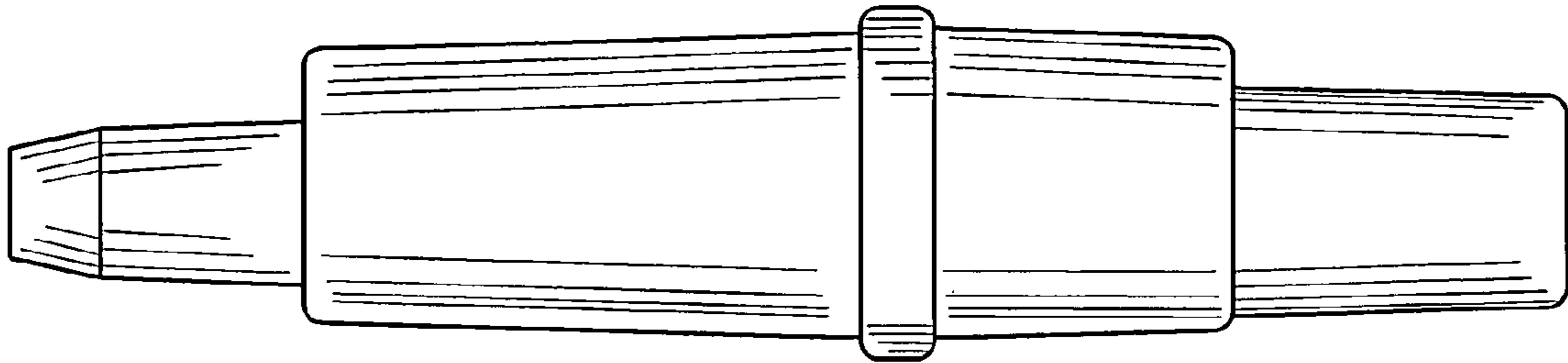


FIG. 4

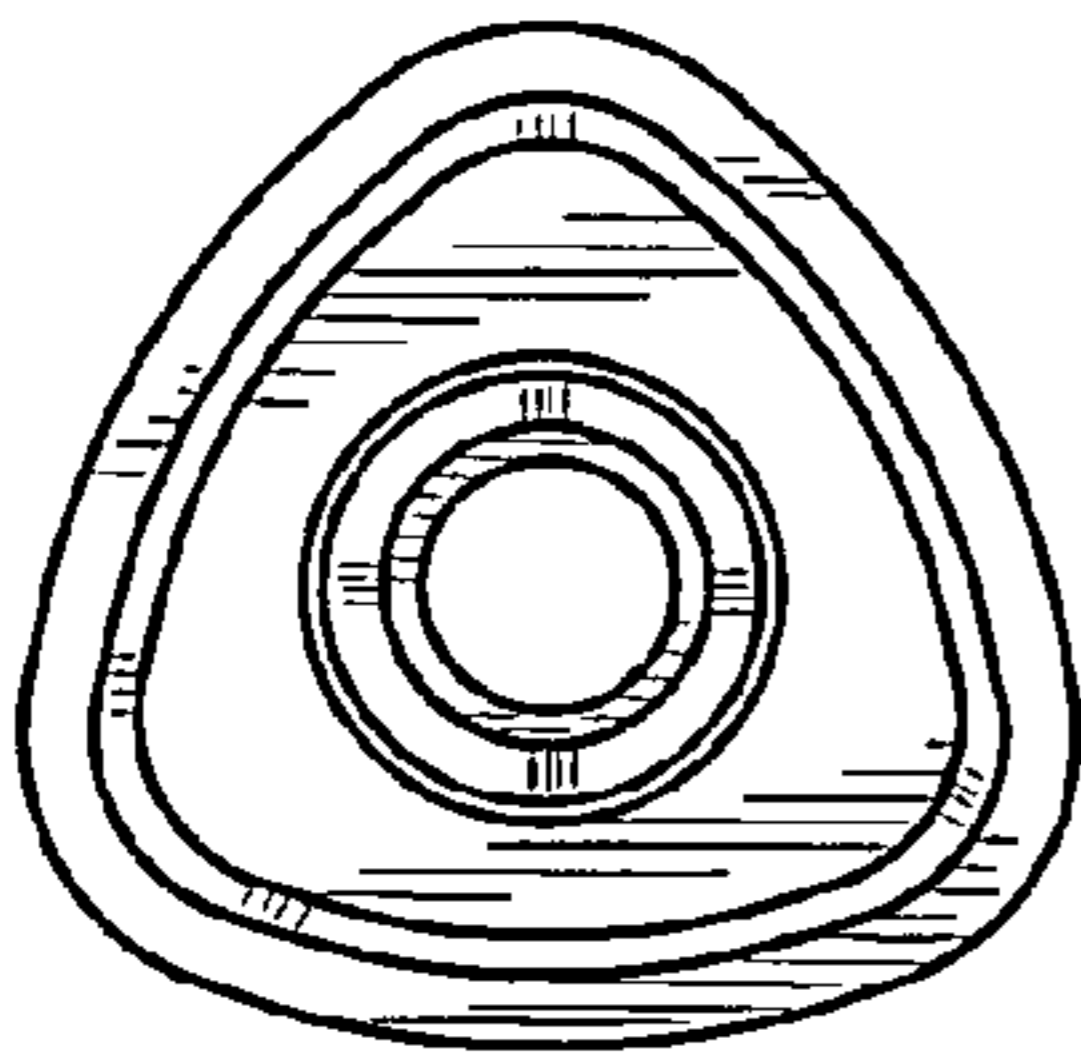


FIG. 5

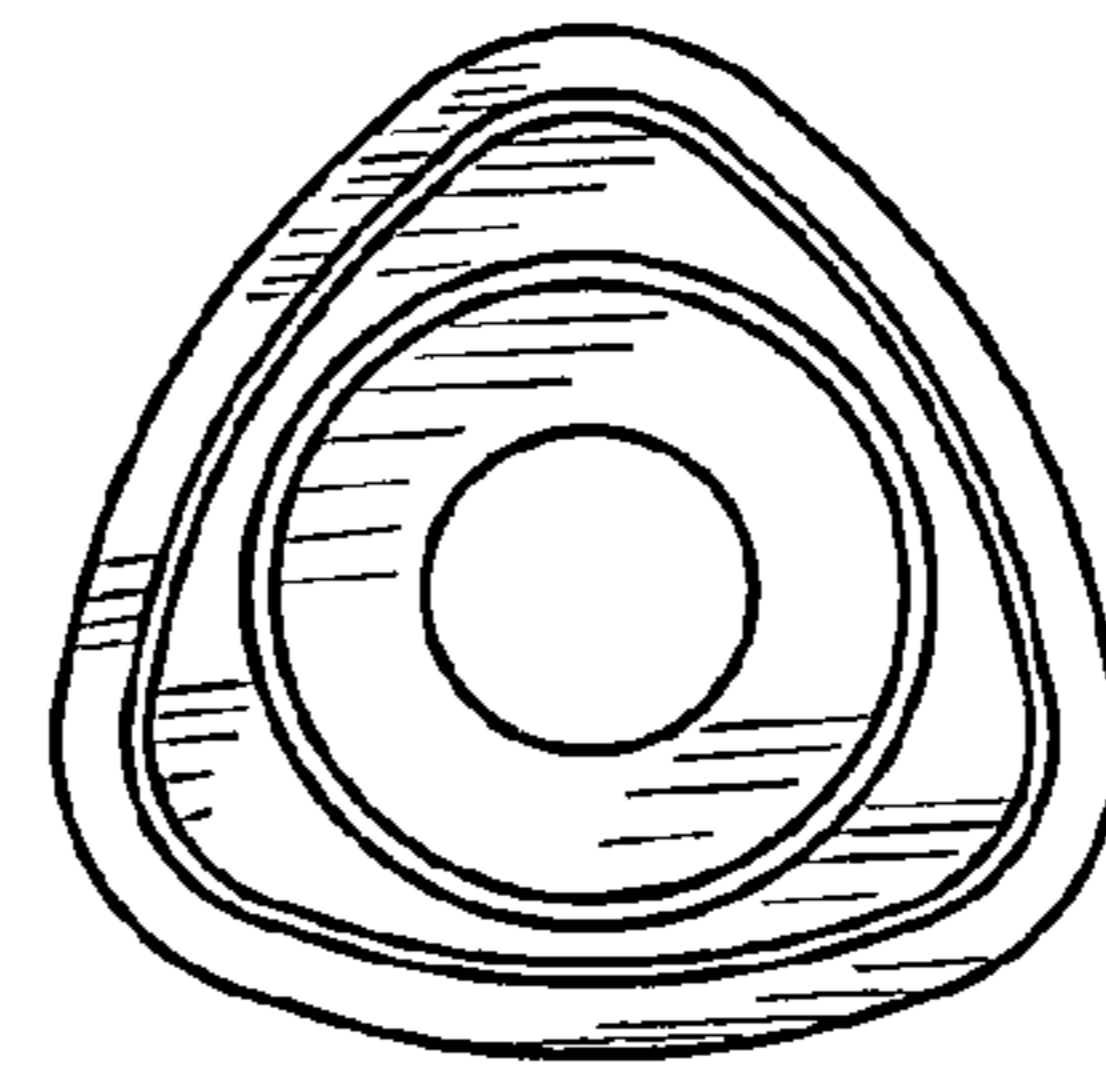


FIG. 6

