



US00D719256S

(12) **United States Design Patent**
Ohashi

(10) **Patent No.:** **US D719,256 S**

(45) **Date of Patent:** **** Dec. 9, 2014**

(54) **SAFETY DEVICE FOR INDWELLING NEEDLE**

(75) Inventor: **Hiroataka Ohashi**, Tokyo (JP)

(73) Assignee: **Terumo Kabushiki Kaisha**, Shibuya-ku, Tokyo (JP)

(**) Term: **14 Years**

(21) Appl. No.: **29/428,713**

(22) Filed: **Aug. 2, 2012**

(30) **Foreign Application Priority Data**

Feb. 2, 2012 (JP) 2012-002138

(51) **LOC (10) Cl.** **24-02**

(52) **U.S. Cl.**
USPC **D24/112; D24/108**

(58) **Field of Classification Search**
CPC A61M 25/0014; A61M 25/0606;
A61M 2025/0098; A61M 25/0612; A61M
25/0693; A61M 5/427; A61M 25/0643;
A61M 5/3271; B25B 17/02; B25B 15/02
USPC D24/112, 113, 114, 133, 186, 130, 127,
D24/108; 604/256, 264, 167.1, 164.2,
604/164.4, 164.5, 164.7, 164.8, 239, 110,
604/158, 192, 272, 162, 198, 263, 268, 243,
604/164.09, 164.01, 164.07, 164.08,
604/164.11, 164.12; 600/139
See application file for complete search history.

(56) **References Cited**

U.S. PATENT DOCUMENTS

5,000,740 A * 3/1991 Ducharme et al. 604/162
5,108,374 A * 4/1992 Lemieux 604/167.01
5,127,905 A * 7/1992 Lemieux 604/167.01
5,704,919 A 1/1998 Kraus et al.
6,379,332 B1 4/2002 Van Landuyt
6,676,638 B2 * 1/2004 Takagi et al. 604/167.03
6,770,059 B1 * 8/2004 Spinks et al. 604/264
6,972,002 B2 12/2005 Thorne

7,351,225 B2 4/2008 Takagi et al.
7,736,342 B2 * 6/2010 Abriles et al. 604/192
D640,785 S * 6/2011 Lee D24/112
D655,406 S * 3/2012 Ma et al. D24/112
2004/0230164 A1 * 11/2004 Spinks et al. 604/264
2006/0041231 A1 * 2/2006 Pressly et al. 604/164.08
2008/0300543 A1 * 12/2008 Abriles et al. 604/162
2013/0172820 A1 * 7/2013 Spearman 604/165.01

* cited by examiner

Primary Examiner — Ian Simmons

Assistant Examiner — Ieisha Price

(74) *Attorney, Agent, or Firm* — Banner & Witcoff, Ltd.

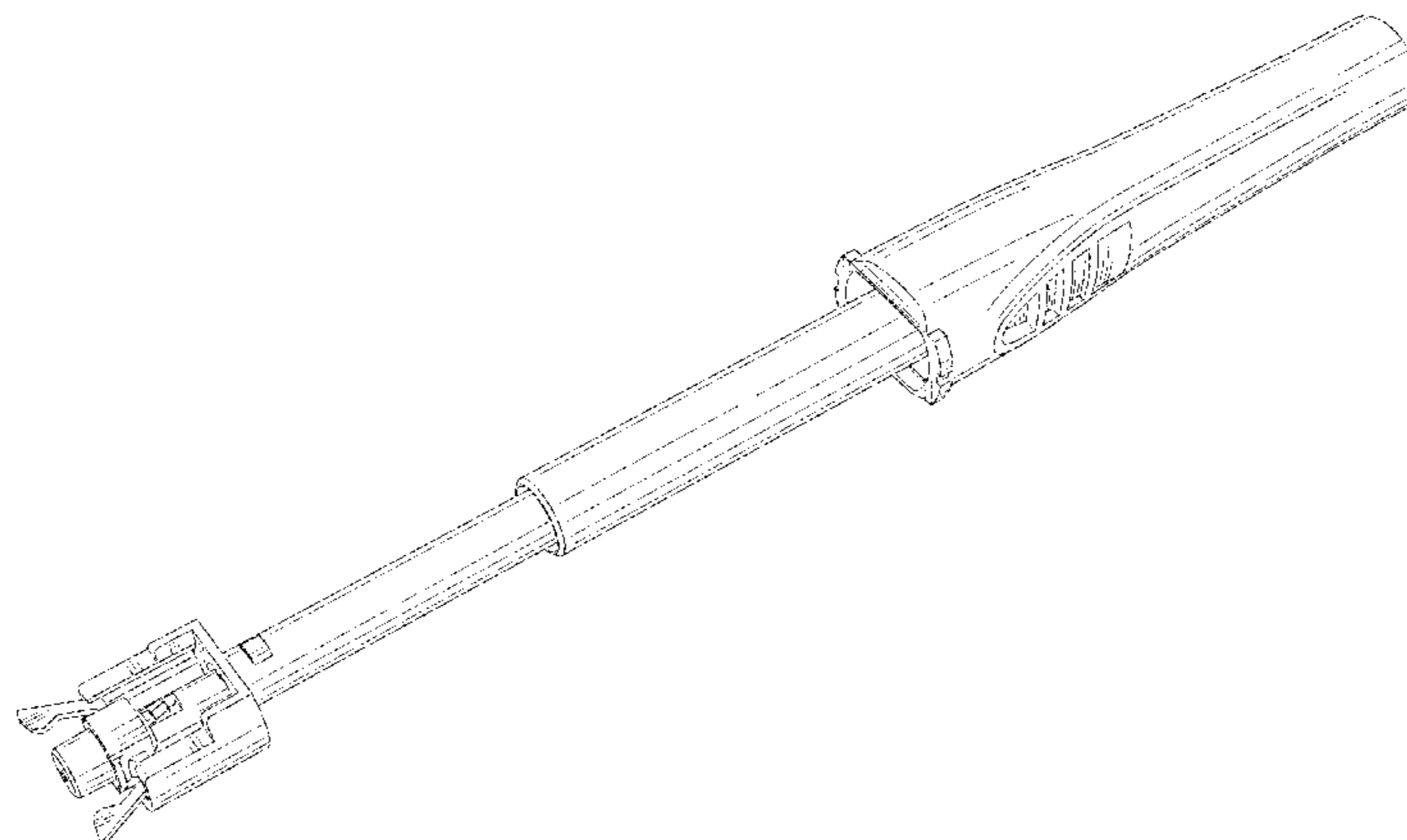
(57) **CLAIM**

The ornamental design for the safety device for indwelling needle, as shown and described.

DESCRIPTION

FIG. 1 is a front perspective view of a safety device for indwelling needle showing my new design;
FIG. 2 is a front view thereof;
FIG. 3 is a rear view thereof;
FIG. 4 is a left side view thereof;
FIG. 5 is a right side view thereof;
FIG. 6 is a top plan view thereof;
FIG. 7 is a bottom view thereof;
FIG. 8 is a top plan view showing a state where an inner case is slid;
FIG. 9 is a front view showing a state where an inner case is slid;
FIG. 10 is a perspective view showing a state where a case is stored;
FIG. 11 is a perspective view shown in compressed condition;
FIG. 12 is another perspective view shown in extended condition; and,
FIG. 13 is a perspective view thereof shown with case portion removed.
The broken lines showing of the hand in FIGS. 11-13 illustrate the environment of the claimed design and form no part thereof.

1 Claim, 8 Drawing Sheets



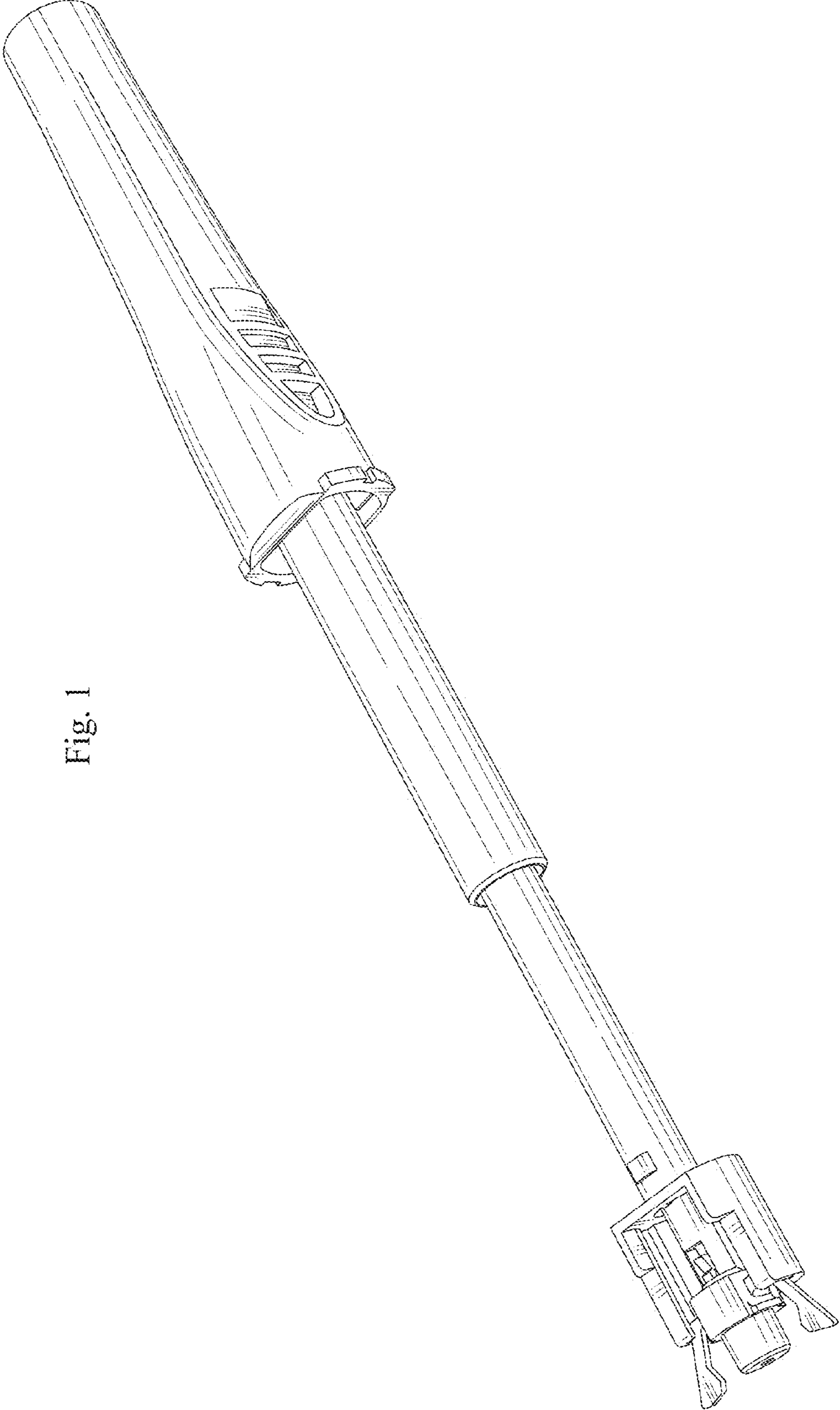


Fig. 1

Fig. 2

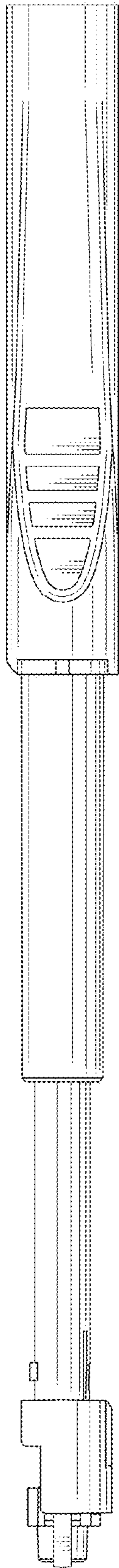


Fig. 3

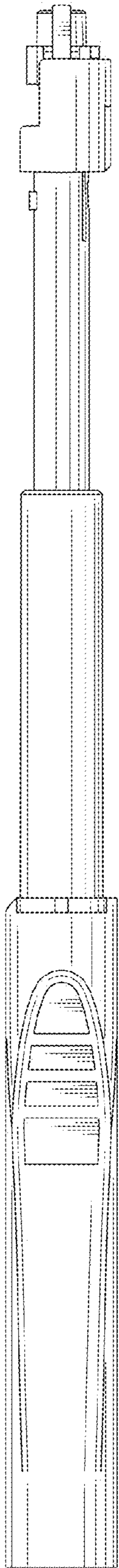


Fig. 4

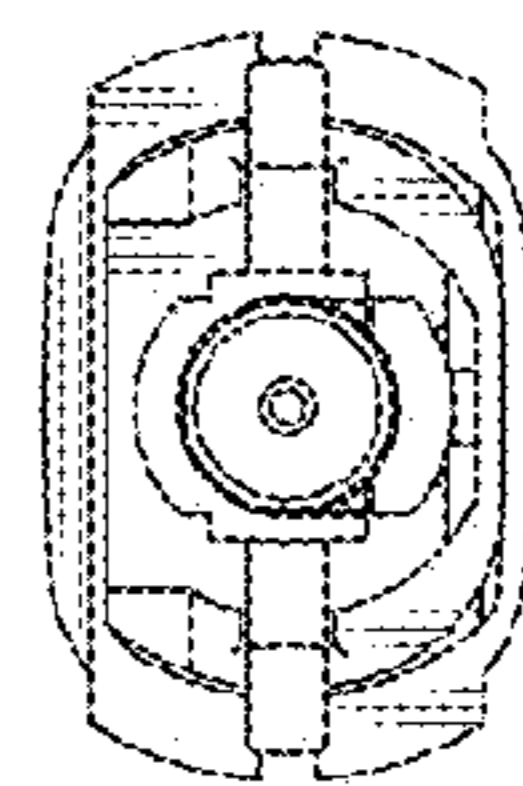


Fig. 5

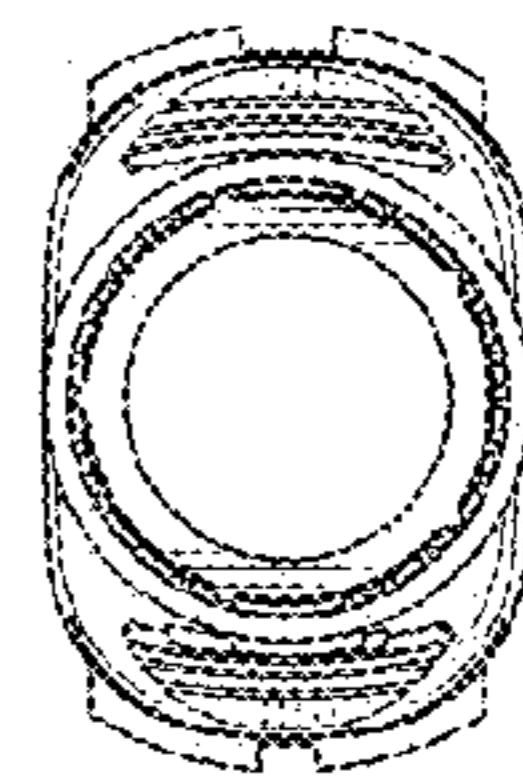


Fig. 6

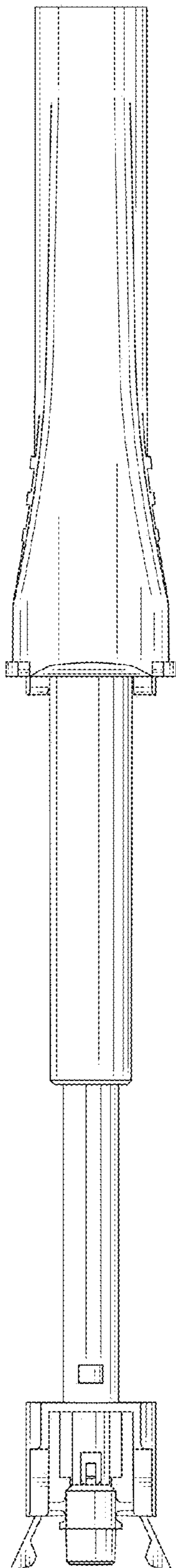


Fig. 7

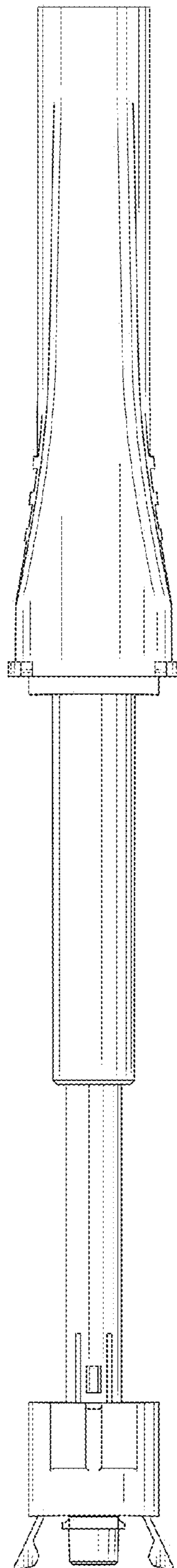


Fig. 8

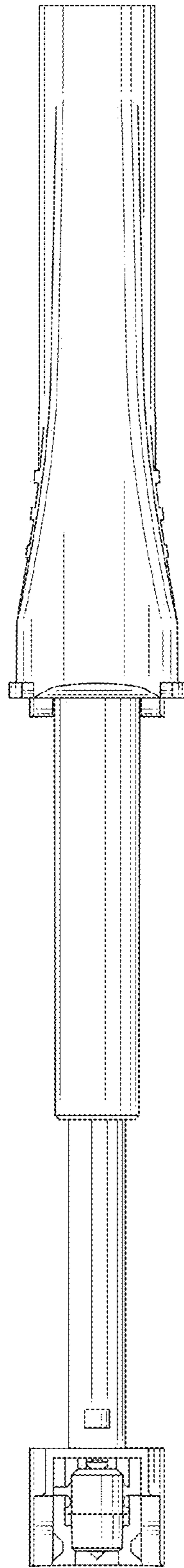
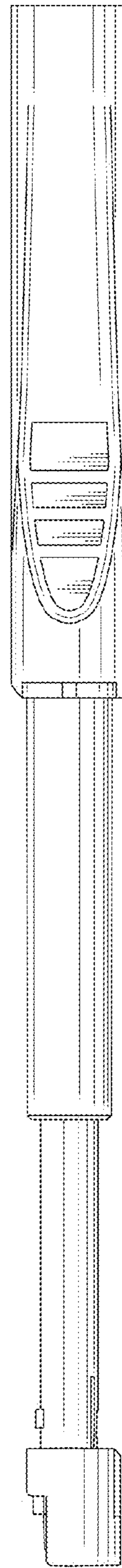


Fig. 9



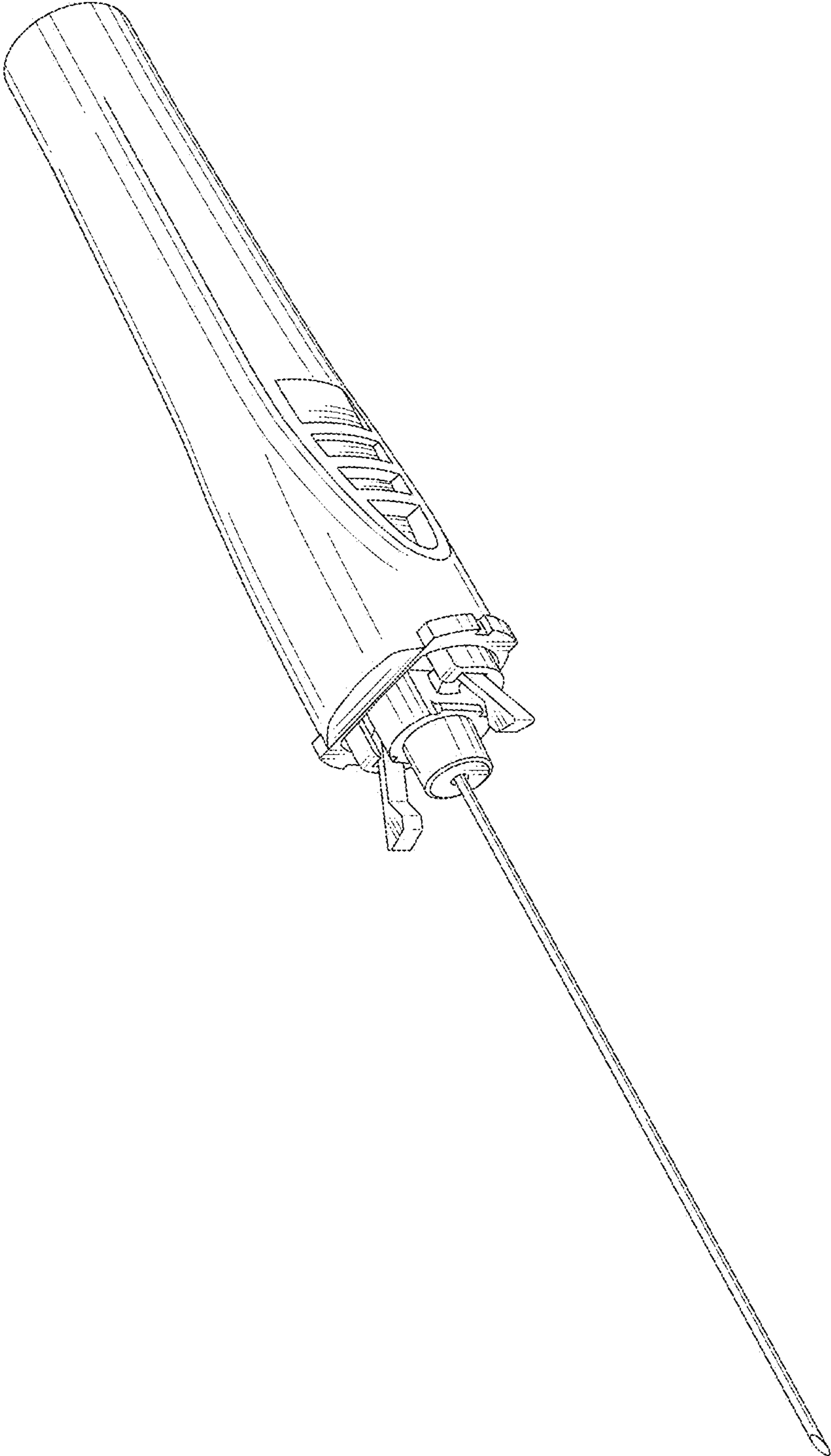


Fig. 10

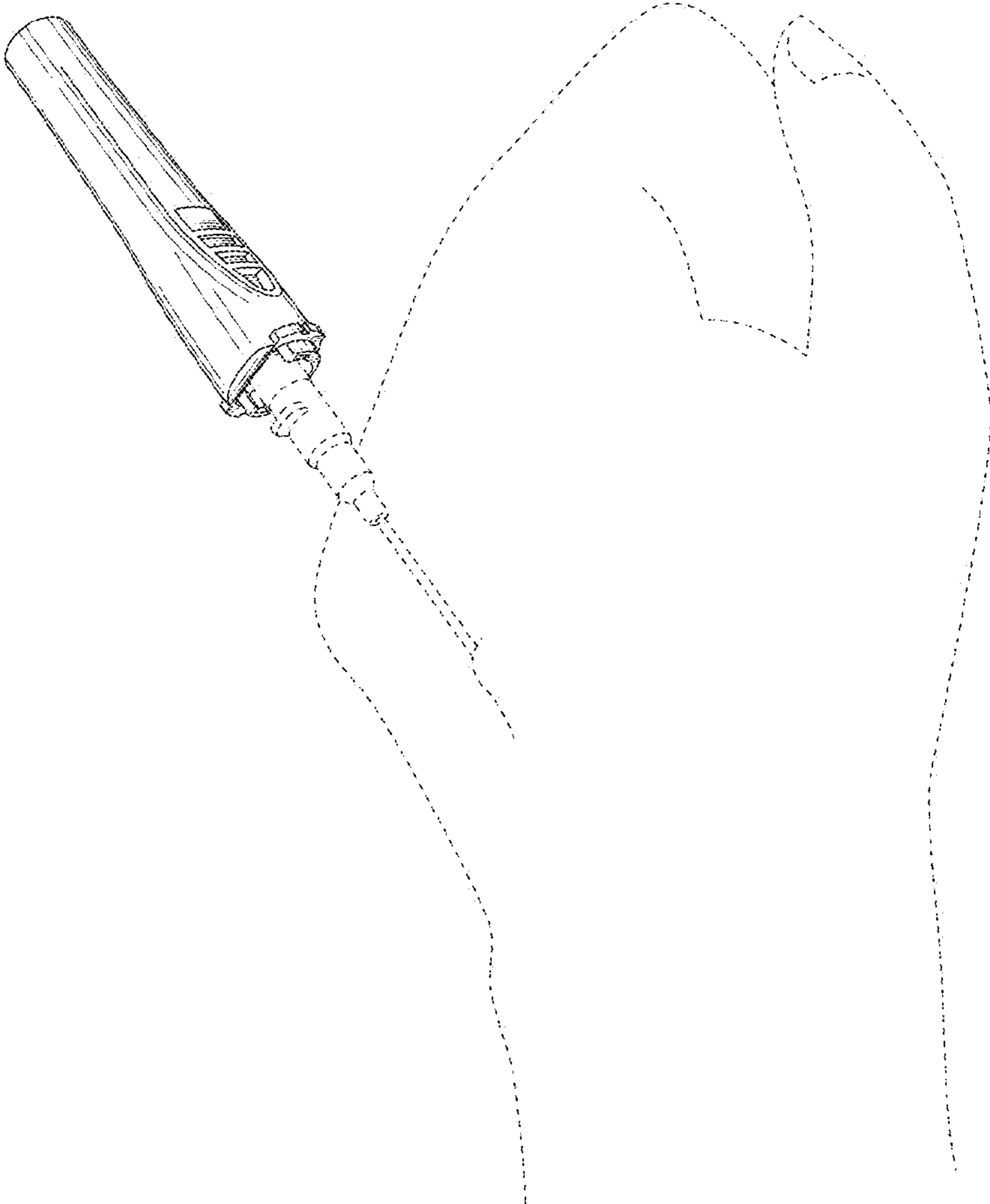


Fig. 11

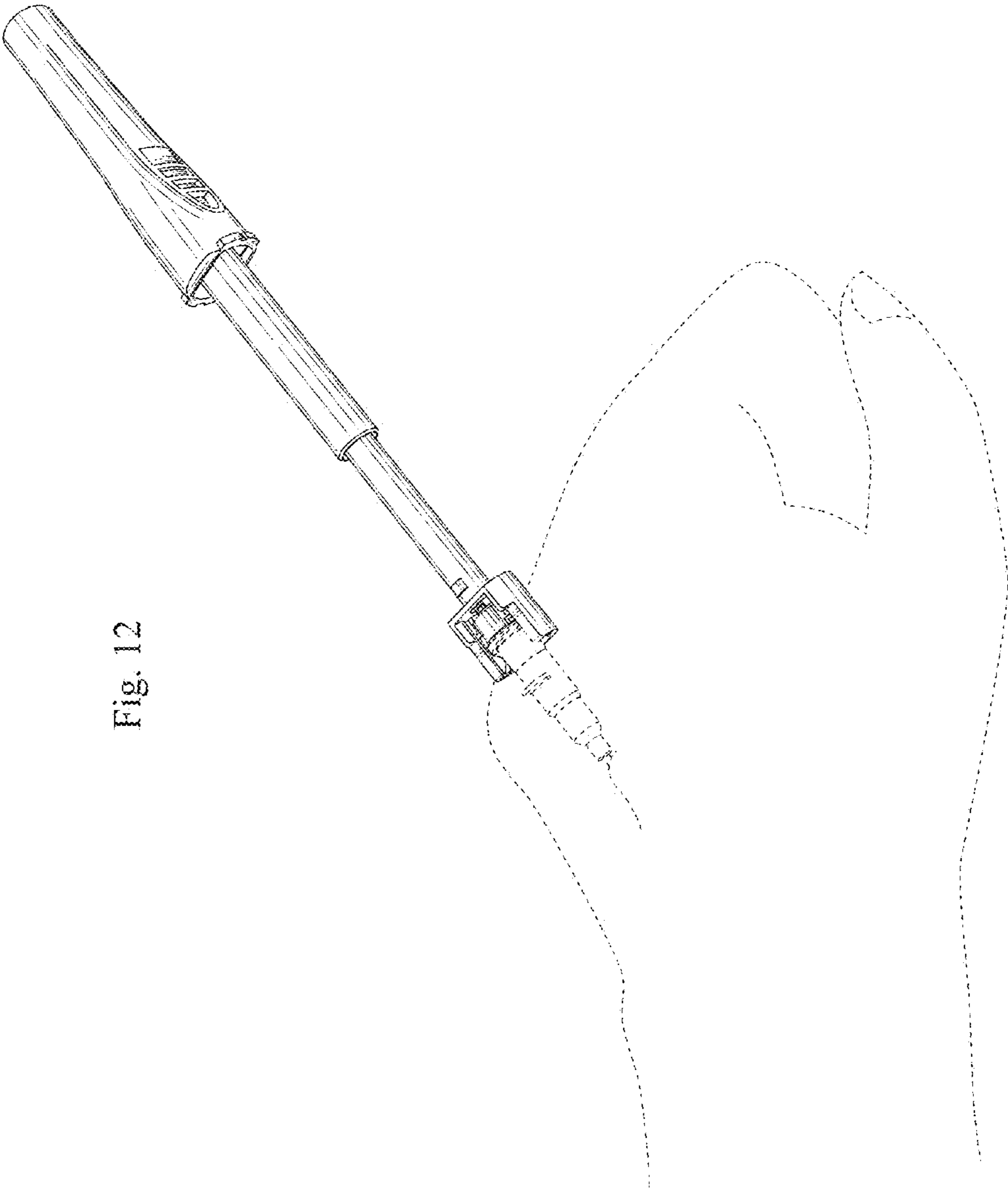


Fig. 12

Fig. 13

