



US00D719253S

(12) **United States Design Patent**  
**Francescon**

(10) **Patent No.:** **US D719,253 S**

(45) **Date of Patent:** **\*\* Dec. 9, 2014**

(54) **SLIDING FOUNDATION VENT**

(71) Applicant: **Christopher Michael Francescon,**  
Nashville, TN (US)

(72) Inventor: **Christopher Michael Francescon,**  
Nashville, TN (US)

(\*\*) Term: **14 Years**

(21) Appl. No.: **29/467,776**

(22) Filed: **Sep. 24, 2013**

(51) **LOC (10) Cl.** ..... **23-04**

(52) **U.S. Cl.**  
USPC ..... **D23/388**

(58) **Field of Classification Search**

USPC ..... D23/385-395, 397, 370-373, 365, 351,  
D23/354, 399-403, 421, 499; 454/309,  
454/275-277, 284, 287-291, 358-363;  
52/302.1, 32.07; 285/229, 189, 183,  
285/123.1, 15, 114, 110, 424, 197; 165/59

See application file for complete search history.

(56) **References Cited**

**U.S. PATENT DOCUMENTS**

D353,193 S \* 12/1994 Porter ..... D23/393  
D358,205 S \* 5/1995 Ruhland ..... D23/393  
D413,665 S \* 9/1999 Hudson ..... D23/393  
5,950,384 A \* 9/1999 Aarness ..... 52/473  
6,234,894 B1 \* 5/2001 Goracke et al. .... 454/290  
6,302,785 B1 \* 10/2001 McKinney et al. .... 454/334

D583,042 S \* 12/2008 Jackson et al. .... D23/392  
D593,193 S \* 5/2009 Jackson et al. .... D23/371  
D602,146 S \* 10/2009 Olesen et al. .... D23/386  
D638,925 S \* 5/2011 Charlebois et al. .... D23/388  
D639,416 S \* 6/2011 Jones et al. .... D23/393  
D680,212 S \* 4/2013 Polkinghorne ..... D23/393  
2003/0220069 A1 \* 11/2003 Orendorff ..... 454/290

\* cited by examiner

*Primary Examiner* — David Muller

(74) *Attorney, Agent, or Firm* — Hornkohl Intellectual  
Property Law, PLLC; Jason L. Hornkohl

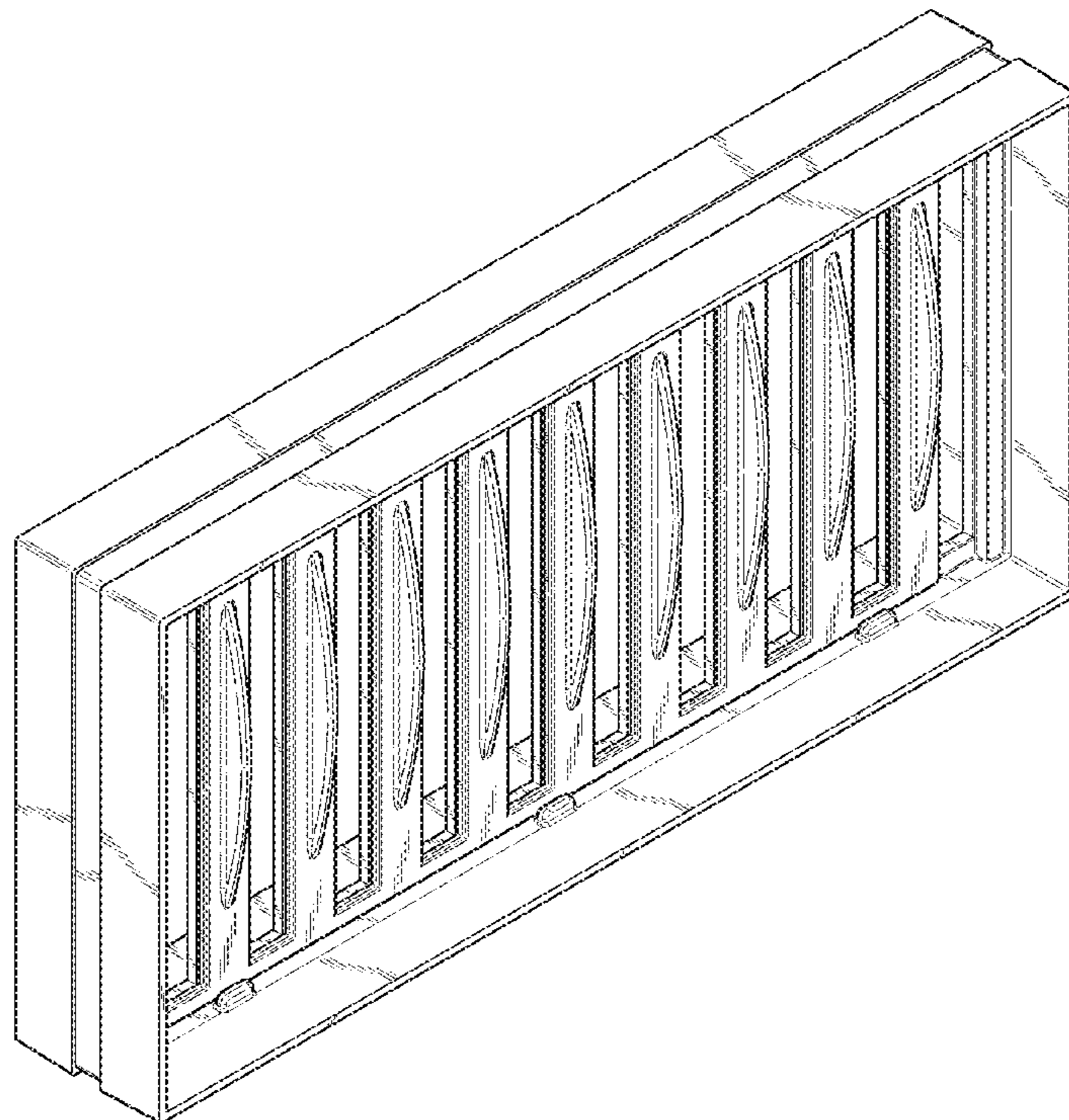
(57) **CLAIM**

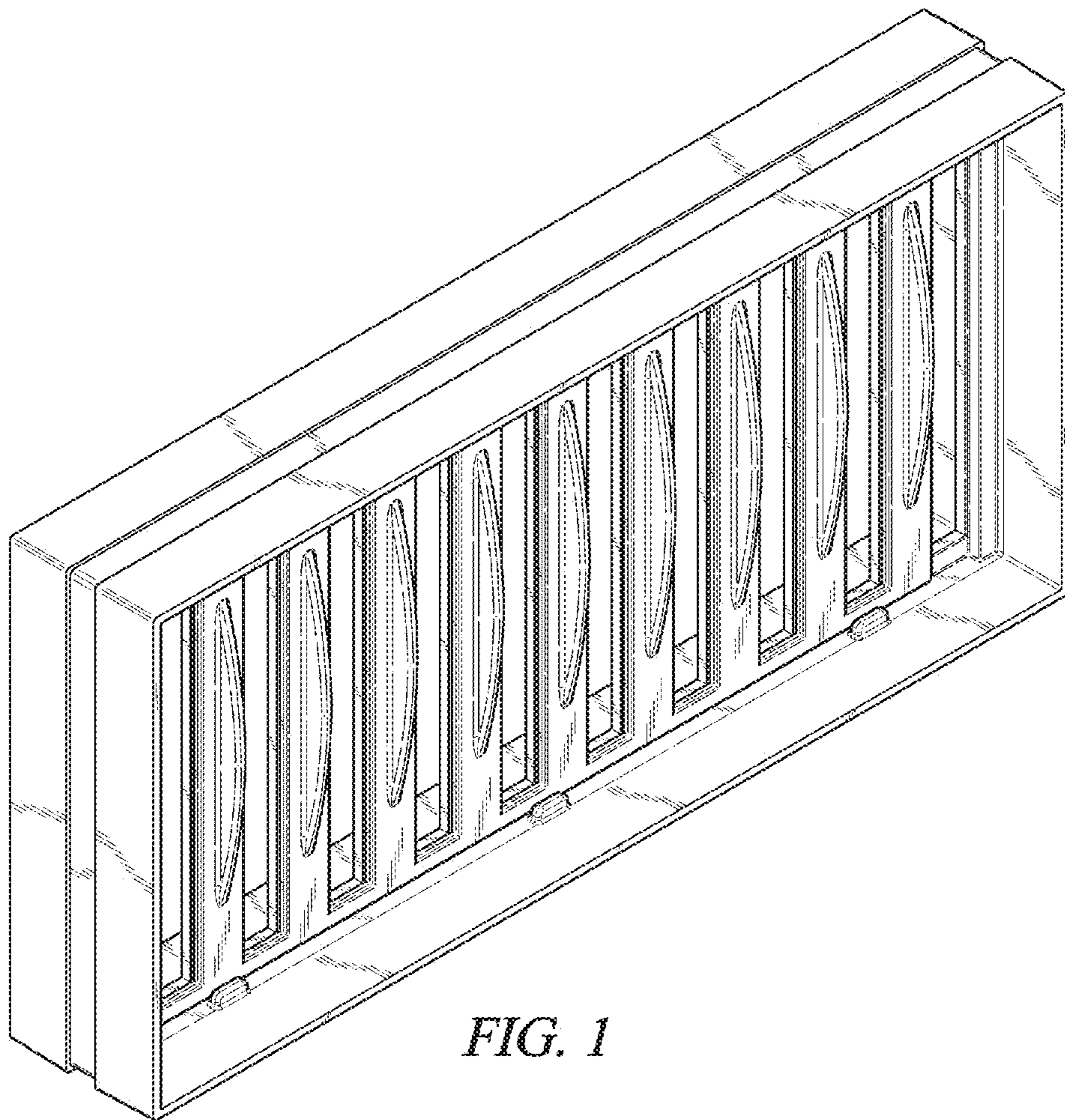
The ornamental design for a sliding foundation vent, as  
shown and described.

**DESCRIPTION**

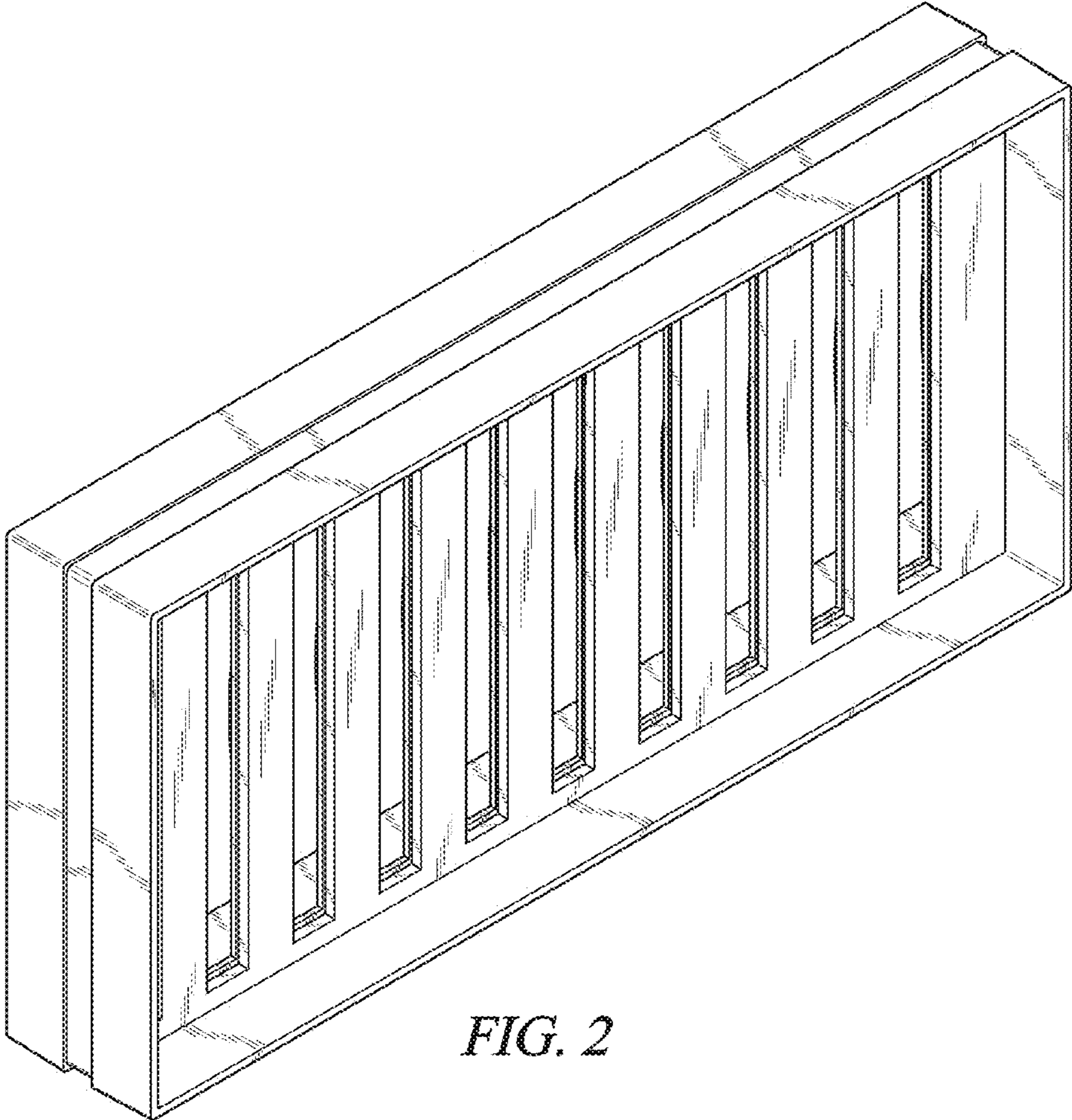
FIG. 1 is an isometric view showing the front of the new  
design for a sliding foundation vent;  
FIG. 2 is an isometric view showing the back of the sliding  
foundation vent;  
FIG. 3 is a front elevation view of the sliding foundation vent;  
FIG. 4 is a back elevation view of the sliding foundation vent;  
FIG. 5 is a right side elevation view of the sliding foundation  
vent, the left side elevation view being identical; and,  
FIG. 6 is a top plan view of the sliding foundation vent, the  
bottom plan view being identical.

**1 Claim, 4 Drawing Sheets**

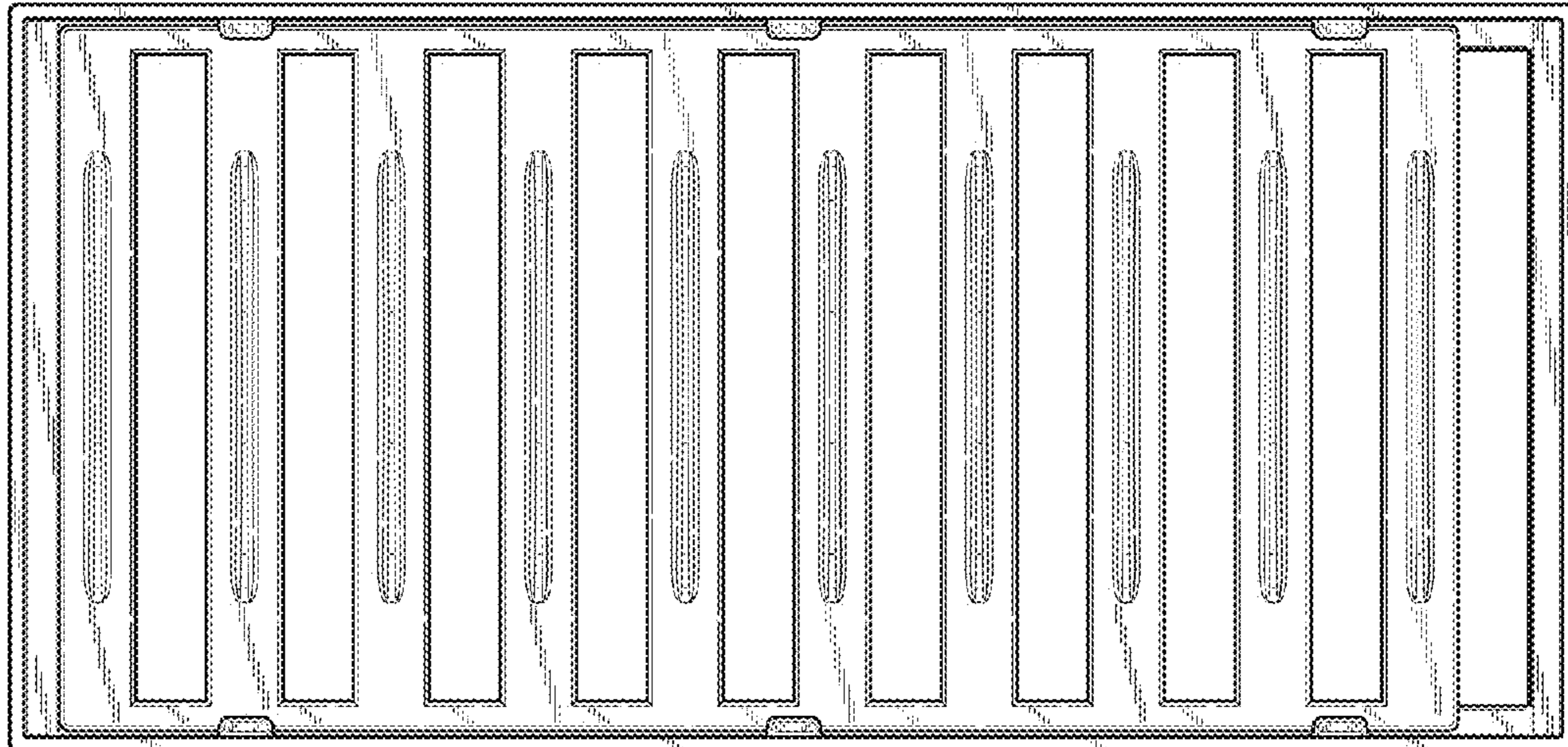




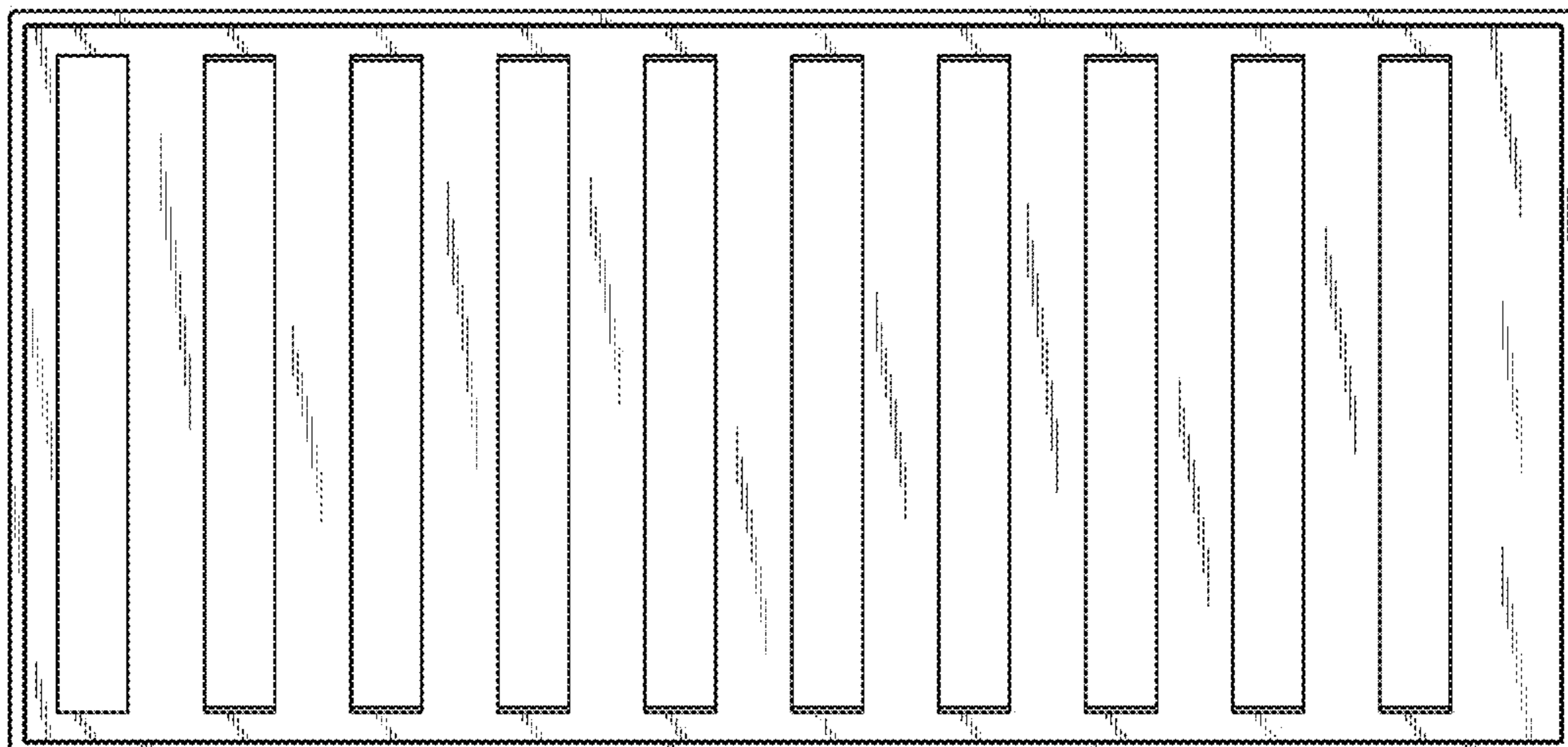
*FIG. 1*



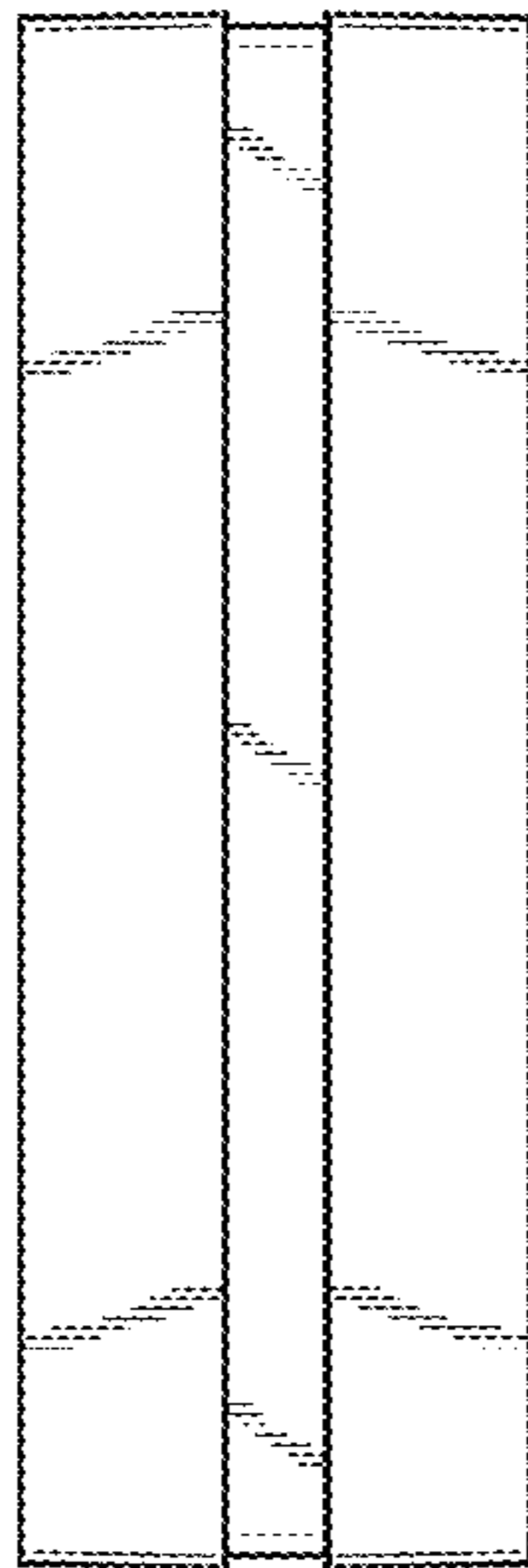
*FIG. 2*



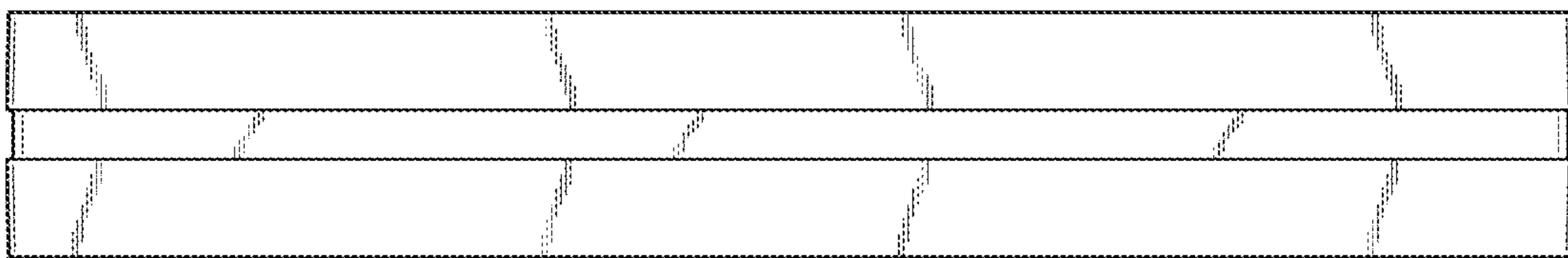
*FIG. 3*



*FIG. 4*



*FIG. 5*



*FIG. 6*